

3G LIGHTING

3G-58RMSL

5.8" RECESSED MADISON SLOT
DYNAMIC WHITE

5.8" recessed slot designed for continuous runs in various configurations
Suitable for drywall, wood, and other architectural ceiling applications
Suitable for grid ceiling and 6" techzone applications
Machined aluminum double gimbals. Adjustable and lockable
Individual fixture heads can slide within the channel
Easily adjustable in the field for maximum flexibility
Dim to Warm and Tunable White LED options up to 2000lm (90+ CRI)
1% dimming standard with several integral driver options



3GD 3GT

ORDERING INFORMATION

PROJECT:	<input type="text"/>	TYPE:	<input type="text"/>
CATALOG #:	<input type="text"/>	DATE:	<input type="text"/>

CAT. NO	LED SOURCE	LUMEN OUTPUT	CRI	BEAM ANGLE	VOLTAGE
3G-58RMSL	DW - DIM TO WARM (1800-3000K)	08 - 800 LUMENS 12 - 1200 LUMENS	H90 - 90+ CRI	10D - 10° ² 20D - 20° 40D - 40° 60D - 60° 90D - 90°*	UNV - 120/277V 120 - 120V 347 - 347V (0-10V ONLY)
	TW - TUNABLE WHITE ¹ (2700K-6500K)	20 - 2000 LUMENS			

* 90D reflector supplied standard with lens

DRIVER	FLANGE TYPE	GIMBAL FINISH	HOUSING INTERIOR
DIM - 0-10V (STANDARD 100-1%) LE - PHASE DIMMING ³ (TRIAC/ELV, 100-1%) D01 - 0-10V (eidoLED, 100-0.1%) ¹ DALI - DALI (eidoLED, 100-1%) ^{1,4} DHL2 - LUTRON HI-LUME LDE1 (1% ECOSYSTEM) DMX - DMX (eidoLED, 100-0%) ¹	WT - WHITE TRIM FLANGE XTR - TRIMLESS (MUD-IN DRYWALL) FX - FLANGELESS GCX - GRID CEILING (UNIVERSAL MOUNT)* 6TZ - 6" TECHZONE (AVAILABLE IN STRAIGHT RUNS ONLY) *Universal mounting brackets used for all grid ceiling types only. See mounting section for details	NG - NATURAL ALUMINUM BG - BLACK WG - WHITE	BK - BLACK (STANDARD) WH - WHITE

OPTIONS	RUN TYPE	FIXTURE HEAD SPACING
CP - CHICAGO PLENUM 2C - 2 CIRCUIT 3C - 3 CIRCUIT SF70 - SOFTENING LENS LS70 - LINEAR SPREAD HXB70 - BLACK HEXCELL LOUVER EMR - EMERGENCY BATTERY ⁵ (REMOTE) Maximum 3 optical accessories. See optical accessories page for more options	S - ____' (STRAIGHT RUN) L - ____' X ____' L-SHAPE) U - ____' X ____' X ____' (U-SHAPE) R - ____' X ____' (RECTANGLE/SQUARE) U-Shape and R-Rectangle/Square not available with grid ceiling applications. Continuous runs available in 6" increments	12 - 12" ON CENTER 18 - 18" ON CENTER 24 - 24" ON CENTER 36 - 36" ON CENTER 48 - 48" ON CENTER CUS (xx) - CUSTOM SPACING* * Specify number of fixture heads (XX)

¹ Tunable White option available with D01, DALI and DMX drivers

² 10D reflector available with 800 lumen output only

³ Phase dimming options available in 120V only

⁴ DALI-2 (Type 6) provided as standard. Consult factory for DALI Type 8 option

⁵ Emergency battery installed remotely by others. Not accessible through the inside of the fixture

3GD - Warm Dim

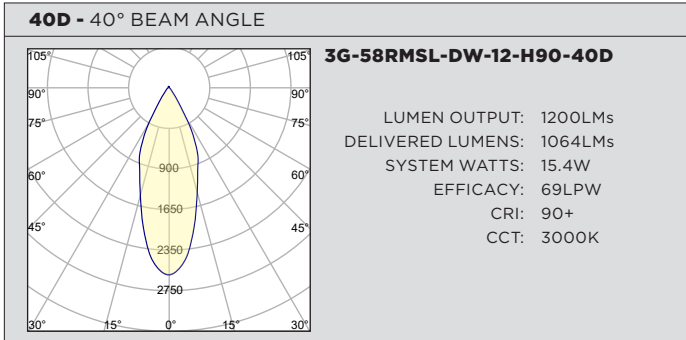
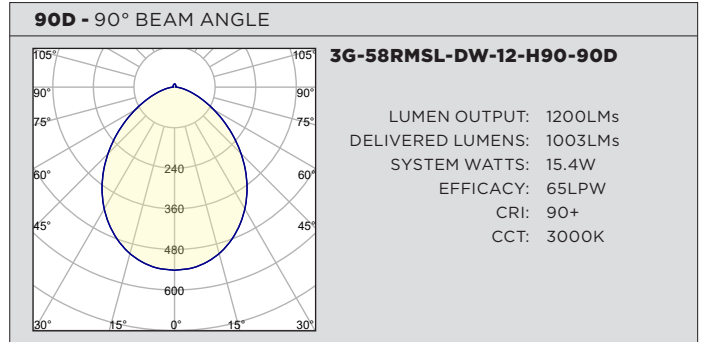
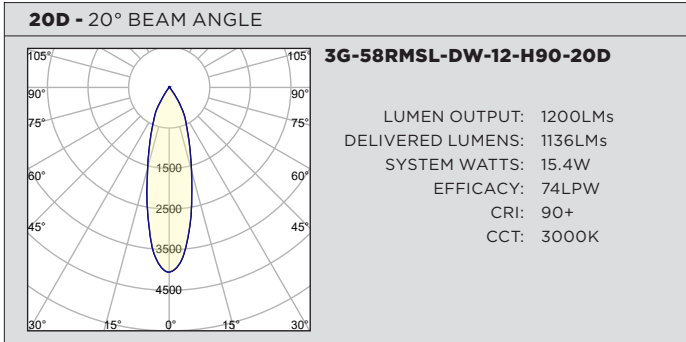
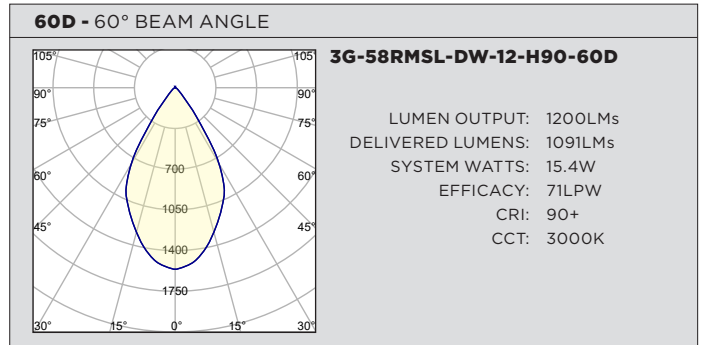
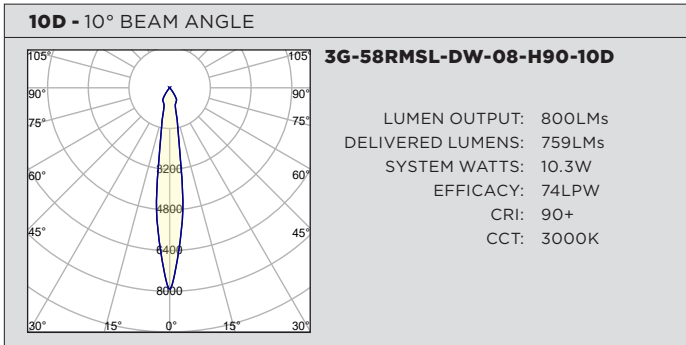
3GT - Tunable White

JANUARY 2, 2024

PERFORMANCE CHART BASED ON 20° BEAM AND 3000K SOURCE (PER FIXTURE HEAD)

DIM TO WARM LUMEN OUTPUT	90+ CRI (3000K)		
	DELIVERED LUMENS	SYSTEM WATTS	EFFICACY (LPW)
800LM	N/A	N/A	N/A
1200LM	1136	15.4	74
2000LM	1593	23.2	69

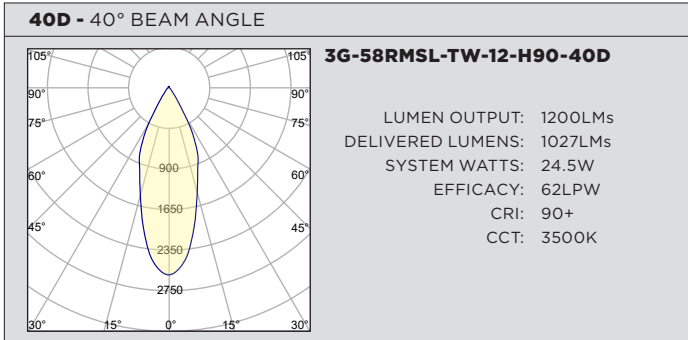
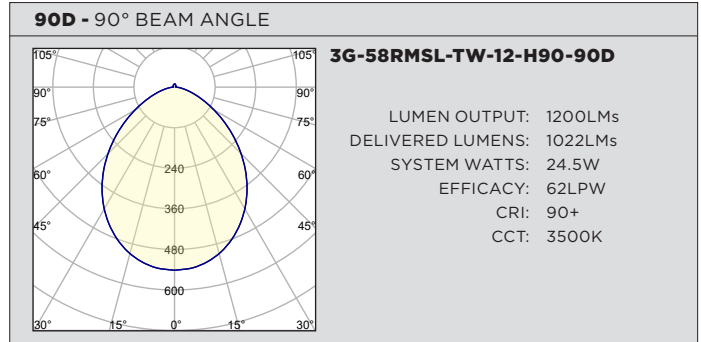
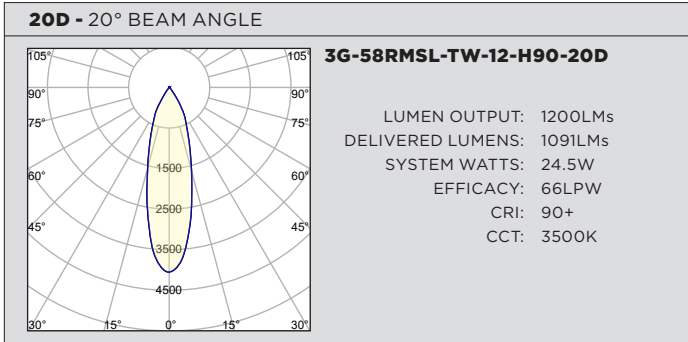
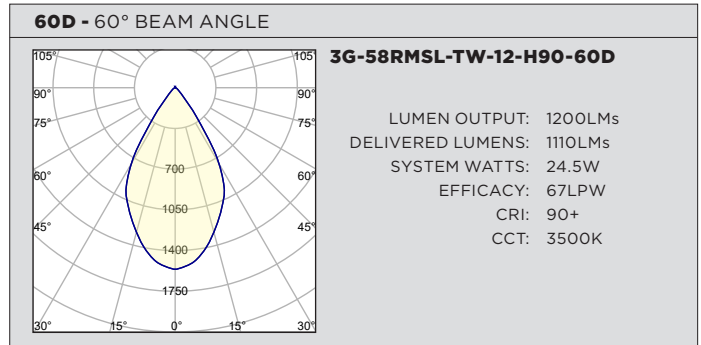
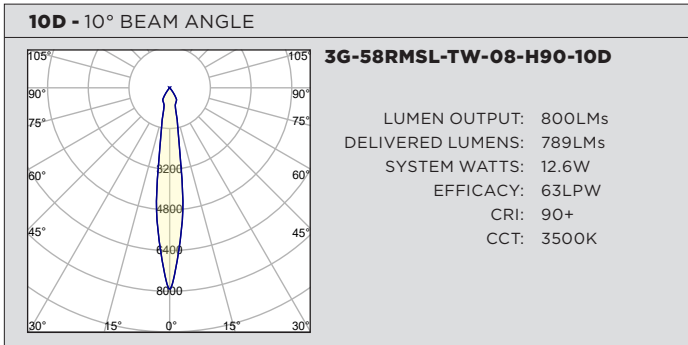
PHOTOMETRY (PER FIXTURE HEAD)



PERFORMANCE CHART BASED ON 20° BEAM (PER FIXTURE HEAD)

TUNABLE WHITE LUMEN OUTPUT	90+ CRI (2700K)			90+ CRI (3500K)			90+ CRI (6500K)		
	DELIVERED LUMENS	SYSTEM WATTS	EFFICACY (LPW)	DELIVERED LUMENS	SYSTEM WATTS	EFFICACY (LPW)	DELIVERED LUMENS	SYSTEM WATTS	EFFICACY (LPW)
800LM	N/A	N/A	N/A	N/A	N/A	N/A	N/A	N/A	N/A
1200LM	1066	16.6	64	1091	16.6	66	1221	16.6	74
2000LM	1491	24.5	61	1561	24.5	64	1684	24.5	69

PHOTOMETRY (PER FIXTURE HEAD)



TECHNICAL**HOUSING**

Housing constructed in extruded aluminum and cold rolled steel
Designed for continuous runs in various configurations. Available in 6" increments
Maximum ceiling thickness of 1.75". Consult factory for modifications
Standard matte black powder coated finish with optional matte white finish
Trim flange with matte white powder coated finish and minimal 0.400" overlap
Trimless model features a satin coat mudding flange for seamless ceiling integration

ADJUSTABILITY

Solid aluminum, 70mm double gimbals with dual axis adjustability (45°x45°)
Individual fixture heads can slide left or right within the channel. Easily adjustable in field
Each double gimbal can be locked in place

OPTICS

Regressed LED source for enhanced glare control
Proprietary anodized, aluminum reflectors are field replaceable (10° reflector not interchangeable)
Available in 10°, 20°, 40°, 60° and 90°

ELECTRICAL

Standard 0-10V, constant current drivers with 100-1% dimming range and >0.9 power factor
Standard 120/277V universal voltage drivers. Optional 347V, 0-10V driver
Lutron EcoSystem and eldoLED DALI options available with 100-1% dimming
eldoLED 0-10V, 100-0.01% dimming range available (D01)
DMX drivers available with 100-0% dimming range
120V Forward Phase/Reverse Phase driver option with 100-1% dimming
Individual fixture sections can be wired independently
All drivers are integral and easily accessible through the channel aperture
Remote emergency battery operates for 90 minutes at 10W (not accessible within channel)

LED SYSTEM

Bridgelux LED module (field replaceable)
Color consistency <3 SDCM
Standard 90+ CRI
Dim to Warm (1800K-3000K)
Tunable White (2700K-6500K)
L70 >50,000 hours
5 Year Warranty

MOUNTING

New construction housing suspended via 1/4" threaded rod or suspension cables (by others)
Trim fixture designed for use in drywall, wood, and other architectural ceiling materials
Trimless fixture designed for use in drywall, mud-in ceiling applications
Flangeless fixture designed for use in wood ceilings
Suitable for various grid ceiling applications (see mounting details)

LISTING

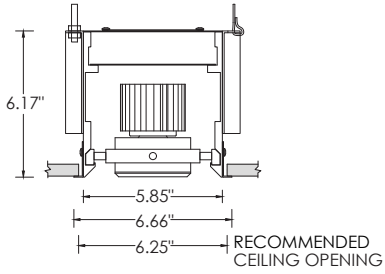
ETL listed and conforms to UL1598 standard. Certified to CSA22.2 NO.250.0. Rated for indoor dry or damp locations

WARRANTY

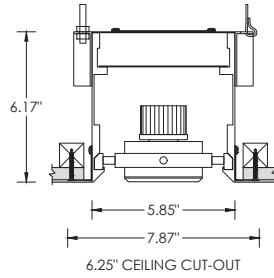
5 Year Warranty on LED and drivers
Manufacturer 1 Year Warranty for defects in material and workmanship under normal use
Ambient temperature at fixture should not exceed 25°C

DRAWINGS AND DIMENSIONS HARD CEILING

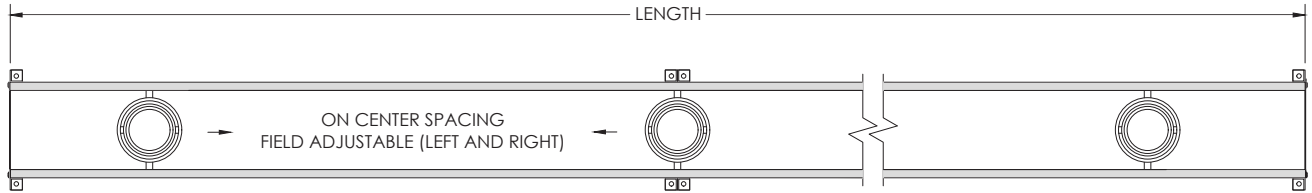
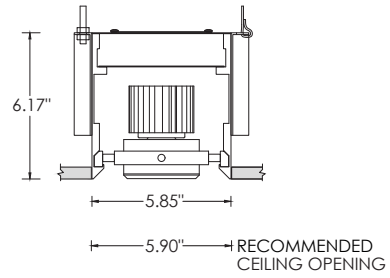
WT - TRIM



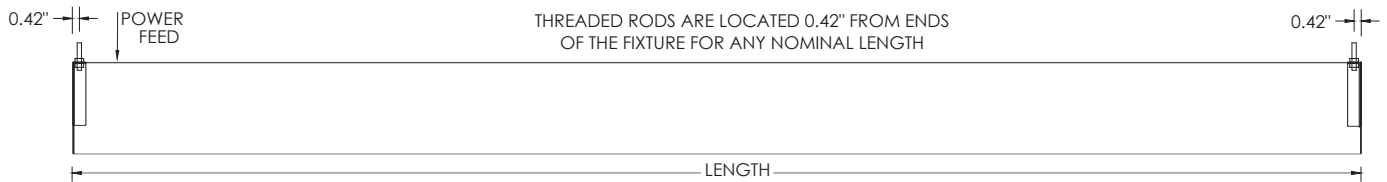
XTR - TRIMLESS



FX - FLANGELESS

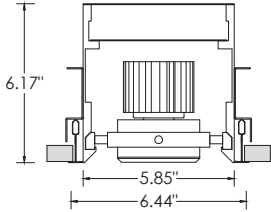


MOUNTING DETAILS HARD CEILING

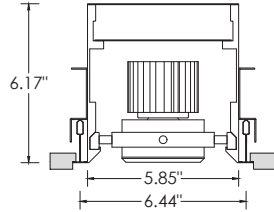


DRAWINGS AND DIMENSIONS GRID CEILING

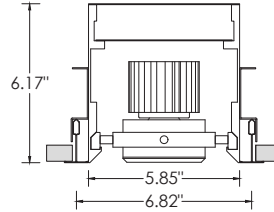
9L - 9/16" LAYIN



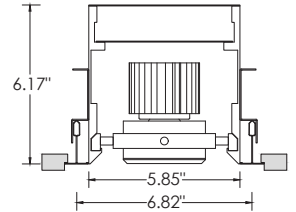
9TG - 9/16" TEGULAR



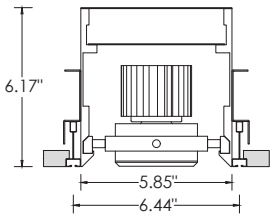
15L - 15/16" LAYIN



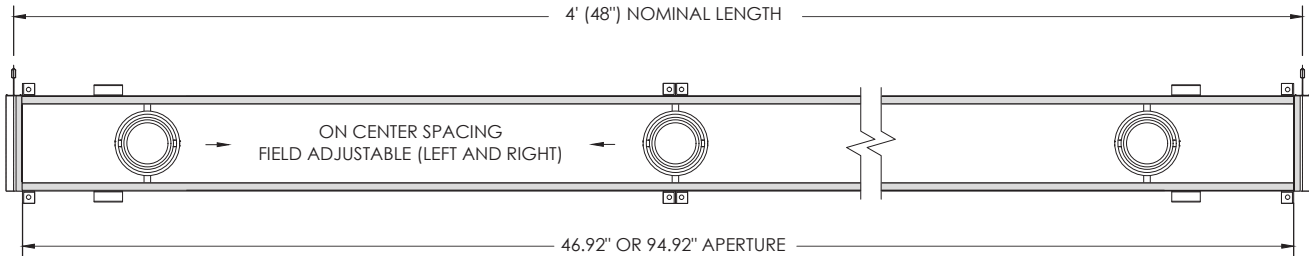
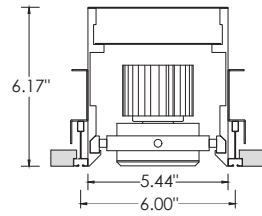
15TG - 15/16" TEGULAR



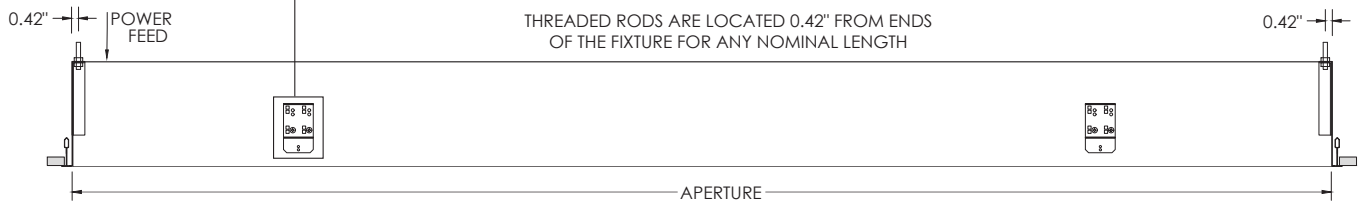
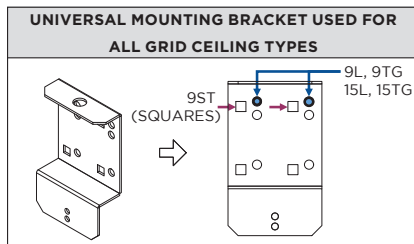
9ST - 9/16" SLOT TEE TEGULAR



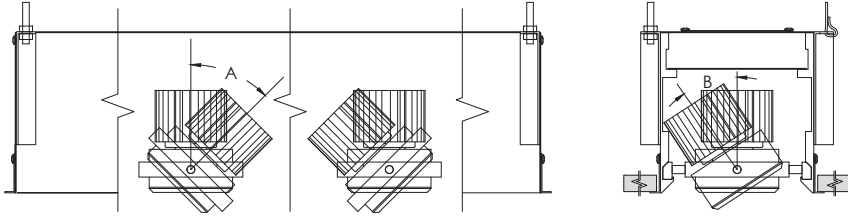
6TZ - TECHZONE



MOUNTING DETAILS GRID CEILING



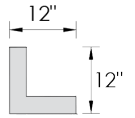
GIMBAL ADJUSTABILITY



LUMEN OUTPUT	A	B
Up to 2200lm	45°	45°
3000lm/4000lm	45°	35°
5000lm	45°	20°

PATTERNS

Specify pattern shape and overall dimensions as shown below
 Patterns are connected with 12"x12" mitered corner sections (Fixture heads not available)
 Please consult factory for custom patterns and shapes not shown below



L-SHAPE	U-SHAPE	RECTANGLE/SQUARE
Provide dimensions of AxB Example: L - 5'x6'	Provide dimensions of AxBxC Example: U - 5'x6'x4'	Provide dimensions of AxB Example: R - 5'x6'