

3G LIGHTING

3G-SM3

3 LIGHT MADISON
SURFACE MOUNTED

Extruded aluminum housing with fabricated mitered corners
Housing design features a beveled edge with no visible hardware
70mm machined aluminum double gimbals. Adjustable and lockable
Regressed LED source for enhanced glare control
Lumen range up to 3000lm (80+, 90+, and 97+ CRI options)
Adjustable aircraft cable suspension
1% dimming standard with integral drivers



PROJECT:		TYPE:	
CATALOG#:		DATE:	QTY:

CAT. NO	LUMEN OUTPUT	CRI	COLOR TEMP	BEAM ANGLE	VOLTAGE
3G-SM3	10 - 1000 LUMENS 15 - 1500 LUMENS 22 - 2200 LUMENS 30 - 3000 LUMENS	S80 - 80+ CRI ¹ H90 - 90+ CRI H97 - 97+ CRI ¹	27K - 2700K 30K - 3000K 35K - 3500K 40K - 4000K	10D - 10° ² 20D - 20° 40D - 40° 60D - 60° 90D - 90° * <small>*90D reflector supplied standard with lens</small>	UNV - 120/277V 120 - 120V 347 - 347V ³

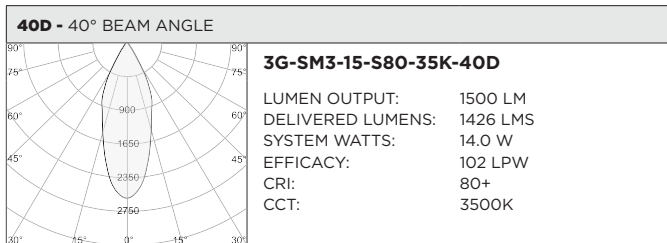
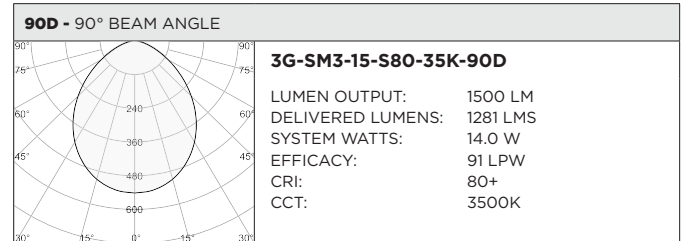
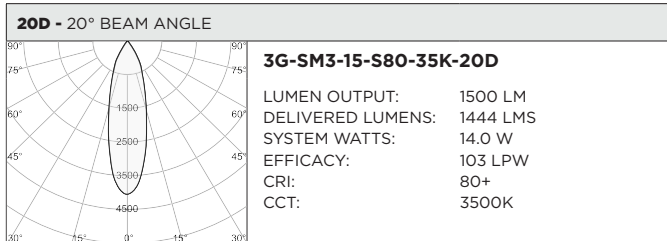
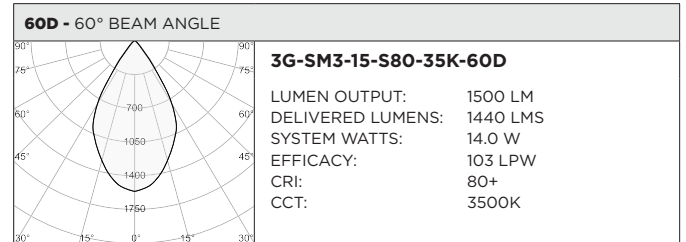
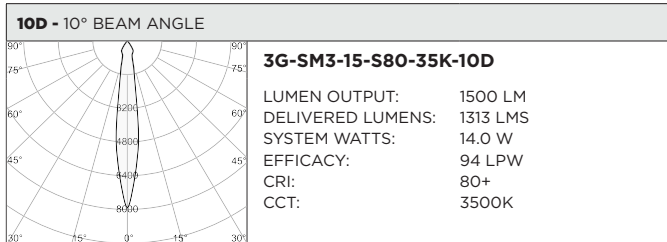
DRIVER	GIMBAL FINISH	HOUSING	OPTIONS
DIM - 0-10V (100-1%) LE - PHASE DIM ⁴ <small>(TRIAC/ELV, 100-1%)</small> DO1 - 0-10V (100-0.1%) DALI - DALI (100-1%) ⁵ DHL2 - LUTRON HI-LUME <small>(1% ECOSYSTEM)</small> DMX - DMX (100-0%)	NG - NATURAL ALUMINUM BG - BLACK GIMBAL WG - WHITE GIMBAL	WH - WHITE BK - BLACK SV - SILVER CF - CUSTOM <small>Housing interior & exterior will be powder coated the same color</small>	2C - 2 CIRCUIT CDF - CONDUIT FEED HXB - BLACK HEXCELL LOUVER LS - LINEAR SPREAD LENS SB - SANDBLASTED LENS SF - SOFTENING LENS CBN - NATURAL CROSS BAFFLE STB - BLACK SNOOT STN - NATURAL SNOOT STW - WHITE SNOOT <small>Maximum 3 optical accessories. See optical accessories page for more options</small>

- ¹ S80 not available in 27K. H97 available in 30K and 35K as standard
- ² 10D reflector available up to 2200lm
- ³ 347 available in "DIM" 0-10V only (100-1%)
- ⁴ Forward Phase/Reverse Phase driver available in 120V only
- ⁵ DALI-2 (Type 6) provided as standard. Please consult factory for DALI (Type 8) options

BASED ON 20° BEAM ANGLE AND 3500K SOURCE (PER FIXTURE HEAD)

LUMEN OUTPUT	80+ CRI			90+ CRI			97+ CRI		
	DELIVERED LUMENS	SYSTEM WATTS	EFFICACY (LPW)	DELIVERED LUMENS	SYSTEM WATTS	EFFICACY (LPW)	DELIVERED LUMENS	SYSTEM WATTS	EFFICACY (LPW)
1000LMs	1080	10.3	105	951	10.3	92	886	10.3	86
1500LMs	1444	14.0	103	1271	14.0	91	1184	14.0	85
2200LMs	2089	22.0	95	1838	22.0	84	1713	22.0	78
3000LMs	2815	31.3	90	2477	31.3	79	2308	31.3	74

LUMEN OUTPUT MULTIPLIER: 27K=0.94, 30K=0.97, 35K=1.00, 40K=1.01



HOUSING

Extruded aluminum housing with fabricated mitered corners
Housing design features a beveled edge with no visible hardware
Integral driver compartment fabricated in cold rolled steel
Standard polyester powder coated interior and exterior available in matte white, matte black, and matte silver

ADJUSTABILITY

Solid aluminum, 70mm machined double gimbals with dual axis adjustability (45°x45°)
Each double gimbal can be locked into place

OPTICS

Regressed LED source for enhanced glare control
Proprietary anodized, aluminum reflectors are field replaceable (10° reflector not interchangeable)
Available in 10°, 20°, 40°, 60°, and 90°
Fixture head designed to accept 3 optical accessories

LISTING

ETL listed and conforms to UL1598 standard. Certified to CSA22.2 No.250.0.
Rated for indoor dry or damp locations

WARRANTY

5 Year Warranty on LED and drivers
Manufacturer 1 Year Warranty for defects in material and workmanship under normal use
Ambient temperature at fixture should not exceed 25°C

ELECTRICAL

Standard 0-10V, constant current drivers with 100-1% dimming range and >0.9 power factor
Standard 120/277V universal voltage drivers. Optional 347V, 0-10V drivers
120V Forward Phase/Reverse Phase driver option with 100-1% dimming range
eldoLED 0-10V driver option available with 100-0.01% dimming range
eldoLED DALI and Lutron EcoSystem driver options available with 100-1% dimming range
DMX driver option available with 100-0% dimming range
All drivers are integral and easily accessible through fixture aperture

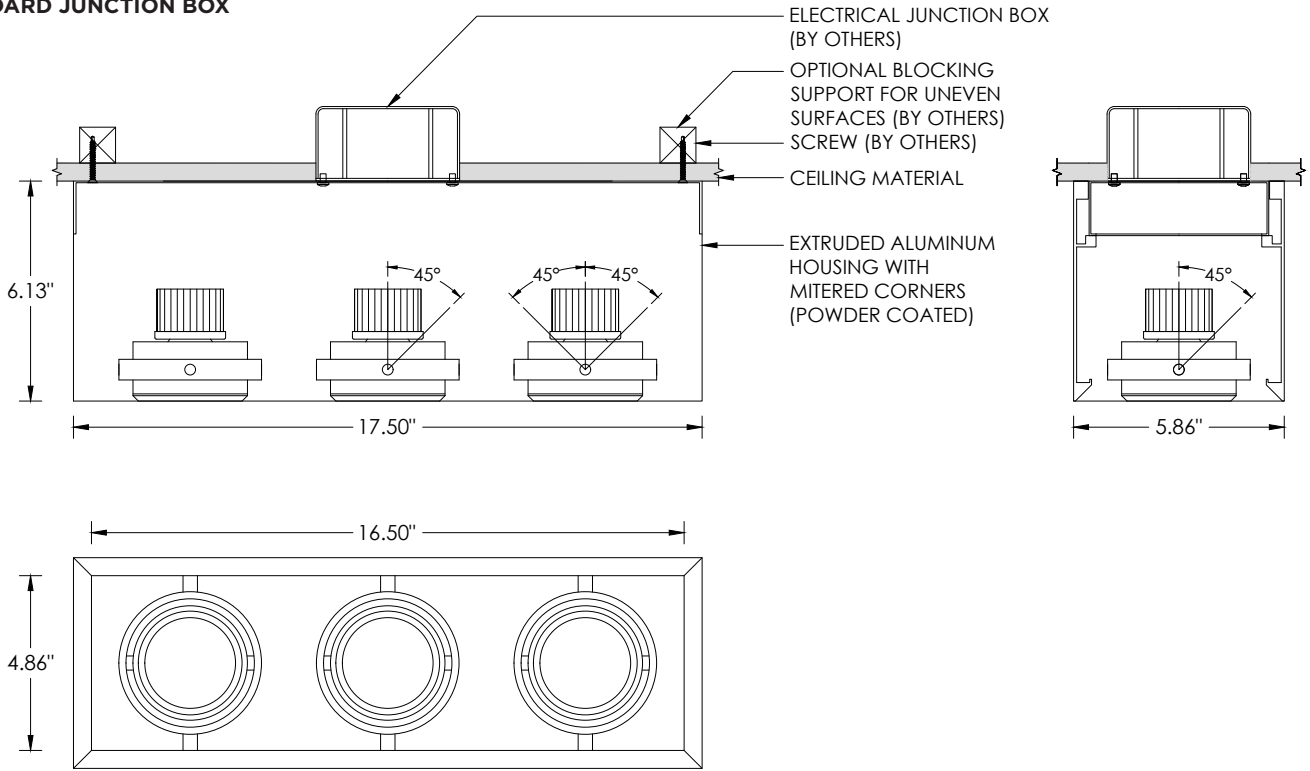
LED SYSTEM

Citizen LED module (field replaceable)
Color consistency <2 SDCM
Standard (80+ CRI). Optional (90+ and 97+ CRI)
Available in 27K, 30K, 35K, and 40K
L90 >50,000 hours
5 Year Warranty

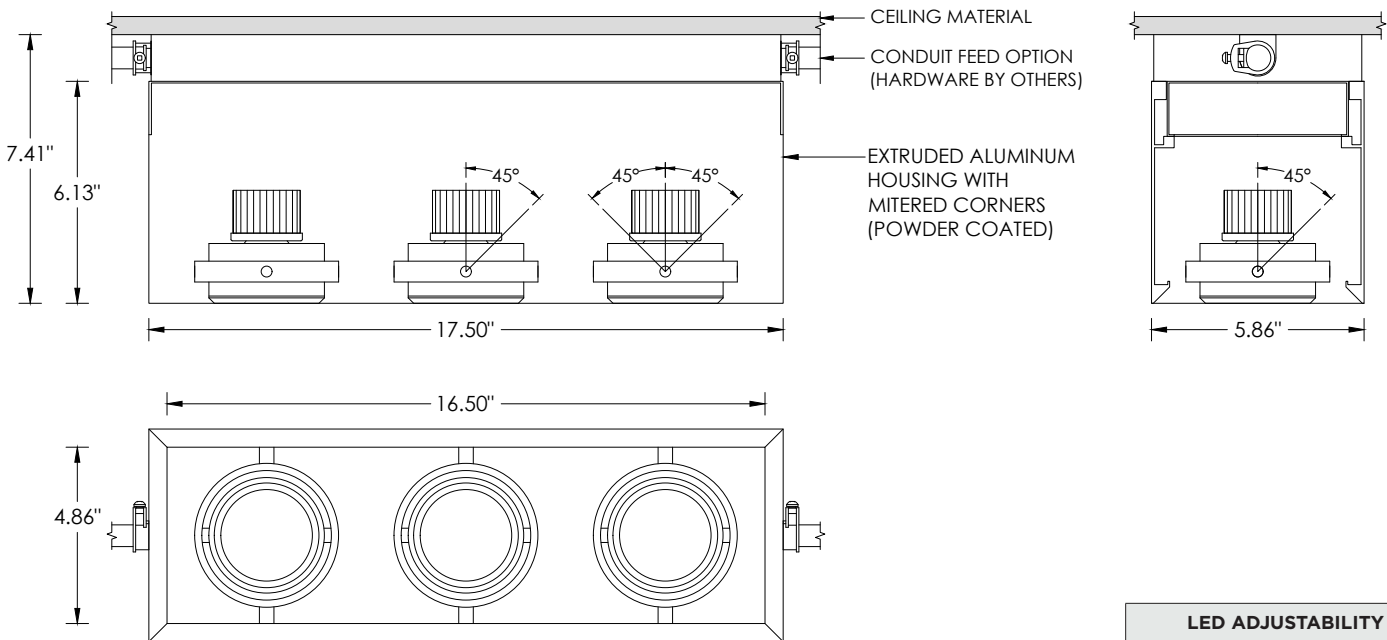
MOUNTING

Suitable for surface mounted applications
Suitable for drywall, concrete, wood, grid ceiling, and other architectural ceilings
Fixture mounts to a standard junction box
Optional conduit feed available

STANDARD JUNCTION BOX



CONDUIT FEED OPTION



LED ADJUSTABILITY	
Up to 1500lm	45°x45°
2200lm/3000lm	45°x35°