

3G LIGHTING

3G-DL45RA

4.5" ROUND ADJUSTABLE
DYNAMIC WHITE



4.5" round, adjustable high performance downlight
Dim to Warm and Tunable White LED options up to 2000lm (90+ CRI)
Regressed LED source for enhanced glare control
Proprietary hot aiming mechanism with sliding center beam optimization
0° - 40° lockable tilt and 362° lockable rotation
Remodel housing available along with other housing options
1% dimming standard with several integral driver options

3GD 3GT

PROJECT:		TYPE:	
CATALOG#:		DATE:	QTY:

CAT. NO	LED SOURCE	LUMEN OUTPUT	CRI	BEAM ANGLE	VOLTAGE
3G-DL45RA	DW - DIM TO WARM (1800K-3000K) TW - TUNABLE WHITE¹ (2700K-6500K)	08 - 800 LUMENS 12 - 1200 LUMENS 20 - 2000 LUMENS	H90 - 90+ CRI	10D - 10°² 20D - 20° 30D - 30° 40D - 40° 50D - 50° 60D - 60°	UNV - 120/277V 120 - 120V 347 - 347V³

DRIVER	FLANGE TYPE	BEVELED INSERT	OPTIONS
DIM - 0-10V (100-1%) LE - PHASE DIM ⁴ (TRIAC/ELV, 100-1%) DO1 - 0-10V (100-0.1%) ¹ DALI - DALI (100-1%) ¹ DHL2 - LUTRON HI-LUME (1% ECOSYSTEM) DMX - DMX (100-0%) ¹	WT - WHITE TRIM BT - BLACK TRIM ST - SILVER TRIM XTR - TRIMLESS (MUD-IN DRYWALL) MWF - FLANGELESS MILLWORK ⁵	WI - WHITE BI - BLACK SI - SILVER	RMD - REMODEL (NON-IC) NCF - NEW CONSTRUCTION FRAME (NON-IC) NC - NEW CONSTRUCTION ⁶ HOUSING (CP RATED) IC - NEW CONSTRUCTION IC HOUSING

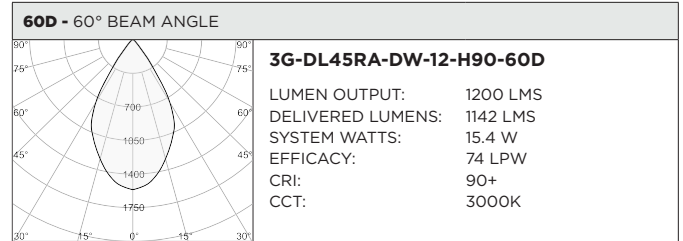
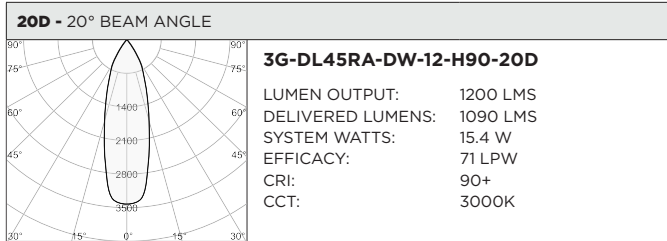
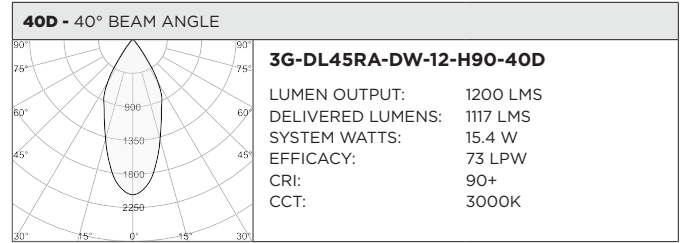
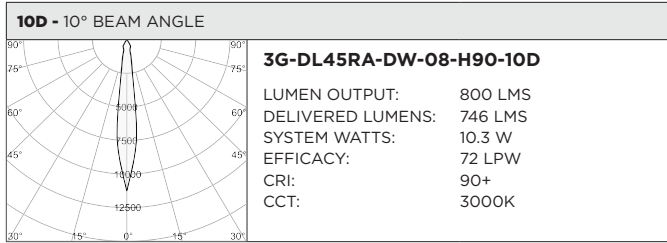
OPTIONS
LS - LINEAR SPREAD LENS SB - SANDBLASTED LENS SF - SOFTENING LENS (SUPPLIED STANDARD) CP - CHICAGO PLENUM ⁶ BH - C-CHANNEL BAR HANGERS EMR - EMERGENCY BATTERY (REMOTE) ⁷
<small>¹ Individual units available from 2' to 8' ² not available for grid ceiling version Continuous runs available in 1" increments as standard</small>

- ¹ Tunable White option available with DO1, DALI and DMX drivers
- ² 10D reflector available with 800 lumen output only
- ³ 347 available in "DIM" 0-10V only (100-1%)
- ⁴ Phase dimming options available in 120V only
- ⁵ MWF not available with Remodel (NON-IC)
- ⁶ Chicago Plenum option available with New Construction Housing
- ⁷ Fixture operates at 6500K in emergency mode. Emergency battery installed remotely by others. Not accessible through the inside of the fixture

3GD - Warm Dim
3GT - Tunable White

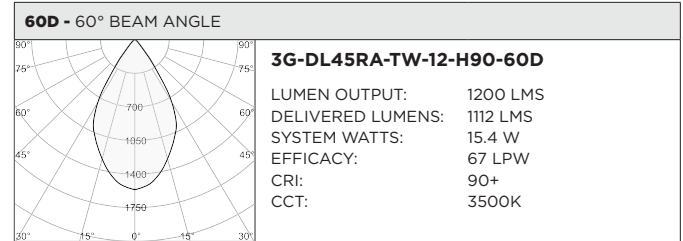
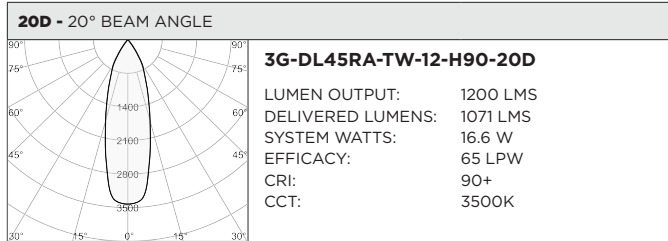
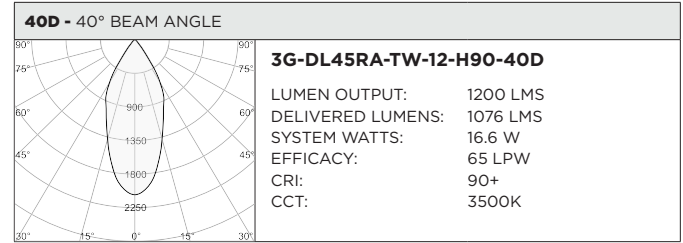
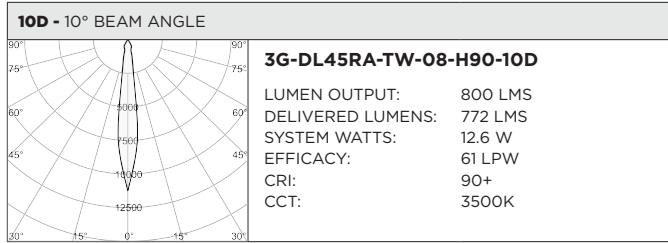
BASED ON 20° BEAM ANGLE AND 3000K

LUMEN OUTPUT	90+ CRI (2700K)		
	DELIVERED LUMENS	SYSTEM WATTS	EFFICACY (LPW)
800LMs	N/A	N/A	N/A
1200LMs	1090	15.4	71
2000LMs	1534	23.2	66



BASED ON 20° BEAM ANGLE

LUMEN OUTPUT	90+ CRI (2700K)			90+ CRI (3500K)			90+ CRI (6500K)		
	DELIVERED LUMENS	SYSTEM WATTS	EFFICACY (LPW)	DELIVERED LUMENS	SYSTEM WATTS	EFFICACY (LPW)	DELIVERED LUMENS	SYSTEM WATTS	EFFICACY (LPW)
800LMs	N/A	N/A	N/A	N/A	N/A	N/A	N/A	N/A	N/A
1200LMs	1038	16.6	63	1071	16.6	65	1166	16.6	70
2000LMs	1473	24.5	60	1538	24.5	63	1641	24.5	67



HOUSING

Remodel, new construction frame, shallow housing, and IC housing options available

Maximum ceiling thickness of 1" (1.5" for Millwork Flangeless and Remodel options). Consult factory for modifications

All housing options designed to be easily converted in field to trim or trimless with minimal components

Housing rated for #12 AWG (4 in, 4 out), 90°C conductors and through branch wiring

BEVELED INSERT

Cast aluminum beveled insert with matte powder coated finish
4.5" aperture with regressed LED source for enhanced glare control

TRIM

Machined aluminum trim flange with matte powder coated finish and minimal 0.375" overlap

TRIMLESS

Mudding flange features a perforated surface for easy mud-in application
Integral blocking support provided to ensure fixture is properly secured within ceiling structure

ADJUSTABILITY

Proprietary hot aiming mechanism with sliding center beam optimization
0°- 40° lockable tilt and 362° lockable rotation with Phillips screwdriver

OPTICS

Regressed LED source for enhanced glare control
Proprietary anodized, aluminum reflectors are field replaceable (20° reflector not interchangeable)
Available in 10°, 20°, 30°, 40°, 50° and 60°
All models provided standard with softening lens

LISTING

ETL listed and conforms to UL1598 standard. Certified to CSA22.2 NO.250.0. Rated for indoor dry or damp locations

WARRANTY

5 Year Warranty on LED and drivers
Manufacturer 1 Year Warranty for defects in material and workmanship under normal use
Ambient temperature at fixture should not exceed 25°C

ELECTRICAL

Standard 0-10V, constant current drivers with 100-1% dimming range and >0.9 power factor

Standard 120/277V universal voltage drivers. Optional 347V, 0-10V drivers
120V Forward Phase/Reverse Phase driver option with 100-1% dimming range
eldoLED 0-10V driver option available with 100-0.01% dimming range
eldoLED DALI and Lutron EcoSystem driver options available with 100-1% dimming range

DMX driver option available with 100-0% dimming range

All drivers are integral and easily accessible through fixture aperture

LED SYSTEM

<3 SDCM LED module (field replaceable)

Standard 90+ CRI

Dim to Warm (1800K-3000K)

Tunable White (2700K-6500K)

L70 >50,000 hours

5 Year Warranty

MOUNTING

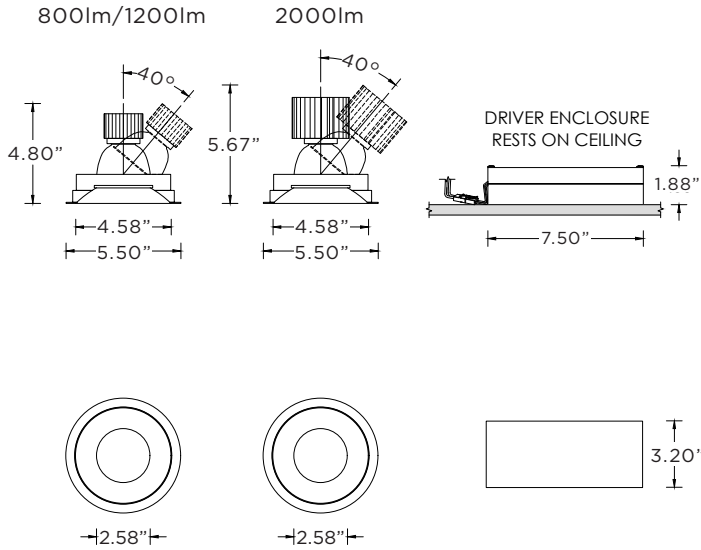
Trim fixture designed for use in drywall, wood, acoustic, and other architectural ceilings

Trimless fixture designed for use in drywall, mud-in ceiling applications
Recommended ceiling cut-out for all housing options (5 1/8" diameter).
Millwork Flangeless (4.78" diameter)

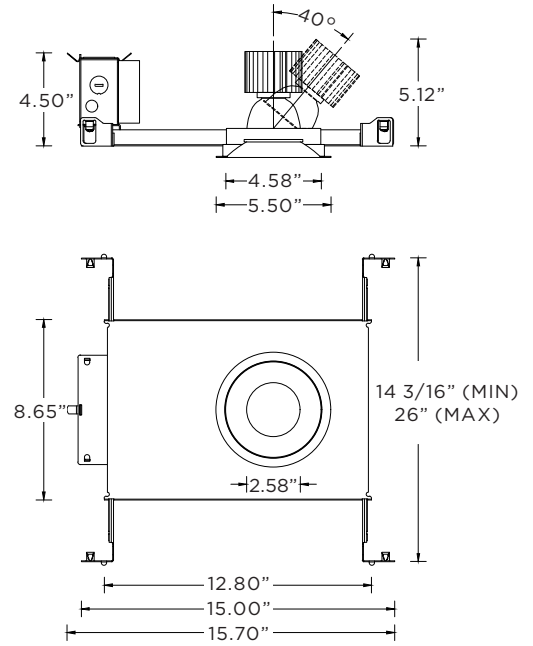
New construction frame ships with bar hangers (14" to 26" extension)

Standard new construction and IC housings available with optional c-channel bar hangers

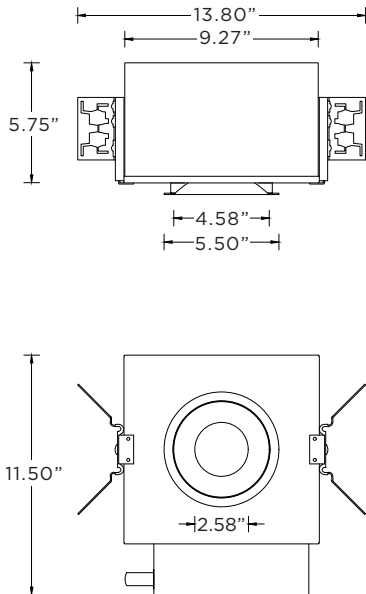
RMD - REMODEL (NON-IC)



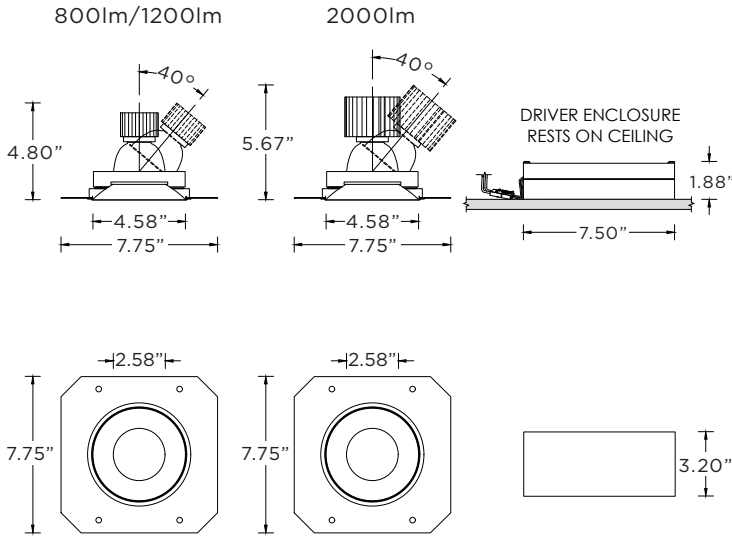
NCF - NEW CONSTRUCTION FRAME (NON-IC)



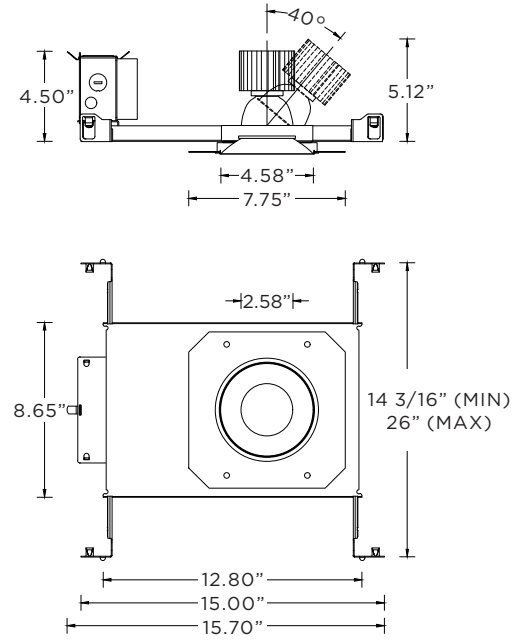
NC - NEW CONSTRUCTION HOUSING (NON-IC AND CP RATED)
IC - NEW CONSTRUCTION IC HOUSING



RMD - REMODEL (NON-IC)

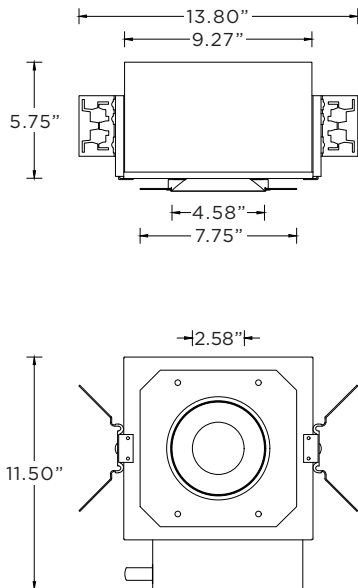


NCF - NEW CONSTRUCTION FRAME (NON-IC)

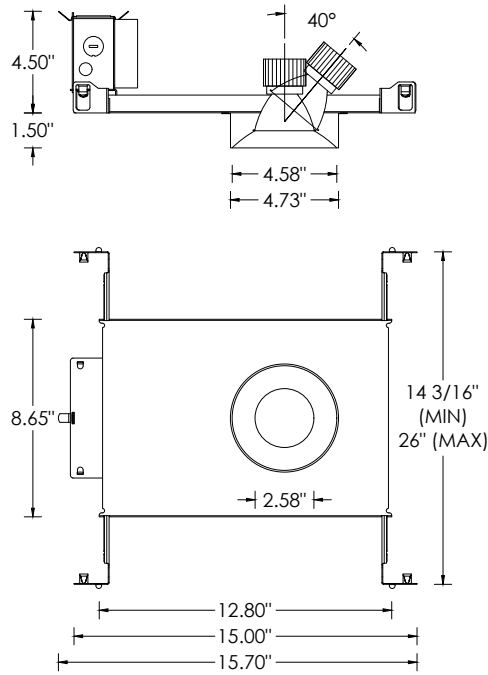


NC - NEW CONSTRUCTION HOUSING (NON-IC AND CP RATED)

IC - NEW CONSTRUCTION IC HOUSING



NCF - NEW CONSTRUCTION FRAME (NON-IC)



NC - NEW CONSTRUCTION HOUSING (NON-IC AND CP RATED)
IC - NEW CONSTRUCTION IC HOUSING

