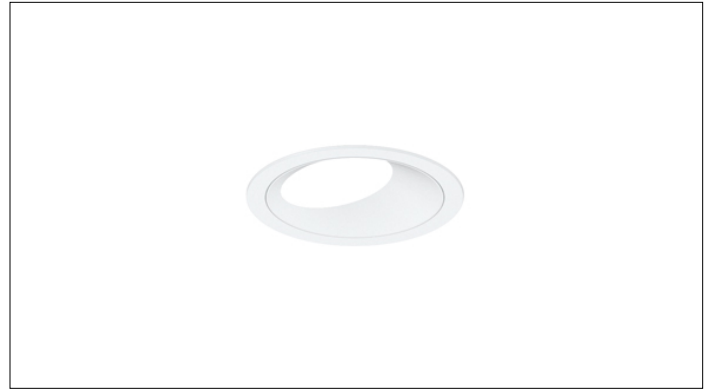


3G LIGHTING

3G-DL45RWW

4.5" ROUND WALL WASH
DYNAMIC WHITE



4.5" round, high performance dynamic white wall wash downlight
Dim to Warm and Tunable White LED options up to 2000lm (90+ CRI)
Regressed LED source for enhanced glare control
Proprietary wall wash optic and lens
Remodel housing available along with other housing options
1% dimming standard with several integral driver options

3GD 3GT

PROJECT:		TYPE:	
CATALOG#:		DATE:	QTY:

CAT. NO	LED SOURCE	LUMEN OUTPUT	CRI	BEAM ANGLE	VOLTAGE
3G-DL45RWW	DW - DIM TO WARM (1800K-3000K) TW - TUNABLE WHITE ¹ (2700K-6500K)	08 - 800 LUMENS 12 - 1200 LUMENS 20 - 2000 LUMENS	H90 - 90+ CRI	WW - WALL WASH	UNV - 120/277V 120 - 120V 347 - 347V ²

DRIVER	FLANGE TYPE	BEVELED INSERT	OPTIONS
DIM - 0-10V (100-1%) LE - PHASE DIM ³ (TRIAC/ELV, 100-1%) D01 - 0-10V (100-0.1%) ¹ DALI - DALI (100-1%) ¹ DHL2 - LUTRON HI-LUME (1% ECOSYSTEM) DMX - DMX (100-0%) ¹	WT - WHITE TRIM BT - BLACK TRIM ST - SILVER TRIM XTR - TRIMLESS (MUD-IN DRYWALL)	WI - WHITE BI - BLACK SI - SILVER	RMD - REMODEL (NON-IC) NCF - NEW CONSTRUCTION FRAME (NON-IC) NC - NEW CONSTRUCTION ⁵ HOUSING IC - NEW CONSTRUCTION IC HOUSING

OPTIONS
CP - CHICAGO PLENUM ⁵ BH - C-CHANNEL BAR HANGERS EMR - EMERGENCY BATTERY (REMOTE) ⁶
Maximum 1 optical accessory

¹ Tunable White option available with D01, DALI and DMX drivers

² 347 available in "DIM" 0-10V only (100-1%)

³ Phase dimming options available in 120V only

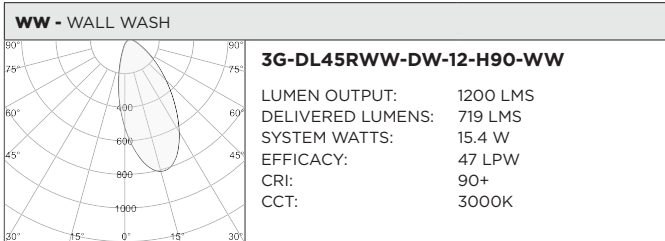
⁴ Chicago Plenum option available with Shallow Housing and New Construction Housing

⁵ Fixture operates at 6500K in emergency mode. Emergency battery installed remotely by others. Not accessible through the inside of the fixture

3GD - Warm Dim
3GT - Tunable White

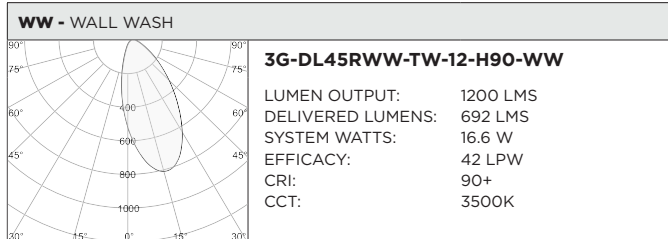
BASED ON WALL WASH OPTIC AND 3000K SOURCE

LUMEN OUTPUT	90+ CRI (3000K)		
	DELIVERED LUMENS	SYSTEM WATTS	EFFICACY (LPW)
1200LMs	719	15.4	47
2000LMs	1022	23.2	44



BASED ON WALL WASH OPTIC

LUMEN OUTPUT	90+ CRI (2700K)			90+ CRI (3500K)			90+ CRI (6500K)		
	DELIVERED LUMENS	SYSTEM WATTS	EFFICACY (LPW)	DELIVERED LUMENS	SYSTEM WATTS	EFFICACY (LPW)	DELIVERED LUMENS	SYSTEM WATTS	EFFICACY (LPW)
1200LMs	652	16.6	39	692	16.6	42	756	16.6	46
2000LMs	939	24.5	38	993	24.5	41	1090	24.5	44



HOUSING

Remodel, new construction frame, shallow housing, and IC housing options available

Maximum ceiling thickness of 1" (1.5" for Millwork Flangeless and Remodel options). Consult factory for modifications

All housing options designed to be easily converted in field to trim or trimless with minimal components

Housing rated for #12 AWG (4 in, 4 out), 90°C conductors and through branch wiring

BEVELED INSERT

Cast aluminum beveled insert with matte powder coated finish
4.5" aperture with regressed LED source for enhanced glare control

TRIM

Machined aluminum trim flange with matte powder coated finish and minimal 0.375" overlap

TRIMLESS

Mudding flange features a perforated surface for easy mud-in application
Integral blocking support provided to ensure fixture is properly secured within ceiling structure

OPTICS

Regressed LED source for enhanced glare control

Proprietary wall wash optic

Asymmetrical lens provides uniformity and smooth illumination across and down the wall

LISTING

ETL listed and conforms to UL1598 standard. Certified to CSA22.2 NO.250.0. Rated for indoor dry or damp locations

WARRANTY

5 Year Warranty on LED and drivers

Manufacturer 1 Year Warranty for defects in material and workmanship under normal use

Ambient temperature at fixture should not exceed 25°C

ELECTRICAL

Standard 0-10V, constant current drivers with 100-1% dimming range and >0.9 power factor

Standard 120/277V universal voltage drivers. Optional 347V, 0-10V drivers
120V Forward Phase/Reverse Phase driver option with 100-1% dimming range
eldoLED 0-10V driver option available with 100-0.01% dimming range
eldoLED DALI and Lutron EcoSystem driver options available with 100-1% dimming range

DMX driver option available with 100-0% dimming range

All drivers are integral and easily accessible through fixture aperture

LED SYSTEM

<3 SDCM LED module (field replaceable)

Standard 90+ CRI

Dim to Warm (1800K-3000K)

Tunable White (2700K-6500K)

L70 >50,000 hours

5 Year Warranty

MOUNTING

Trim fixture designed for use in drywall, wood, acoustic, and other architectural ceilings

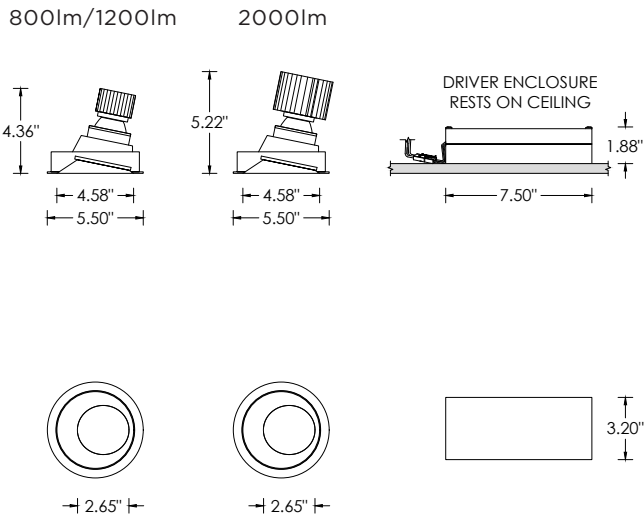
Trimless fixture designed for use in drywall, mud-in ceiling applications

Recommended ceiling cut-out for all housing options (4 5/8" diameter)

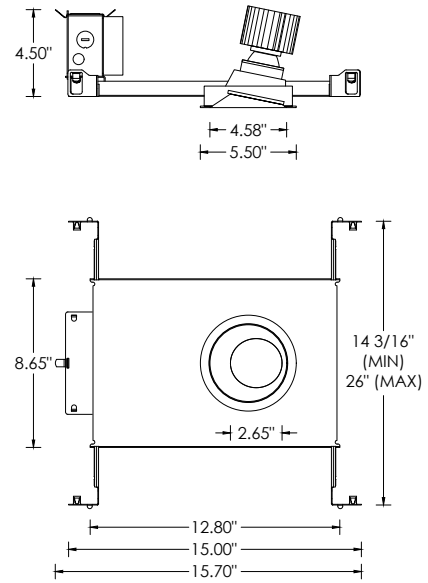
New construction frame ships with bar hangers (14" to 26" extension)

Standard new construction and IC housings available with optional c-channel bar hangers

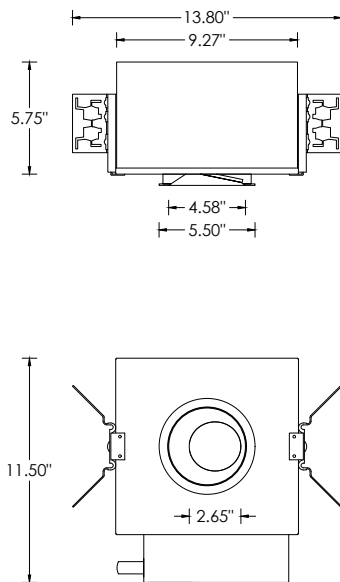
RMD - REMODEL (NON-IC)



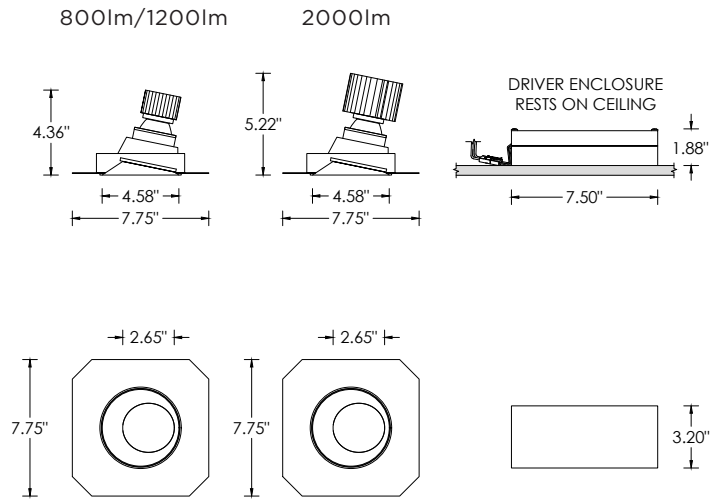
NCF - NEW CONSTRUCTION FRAME (NON-IC)



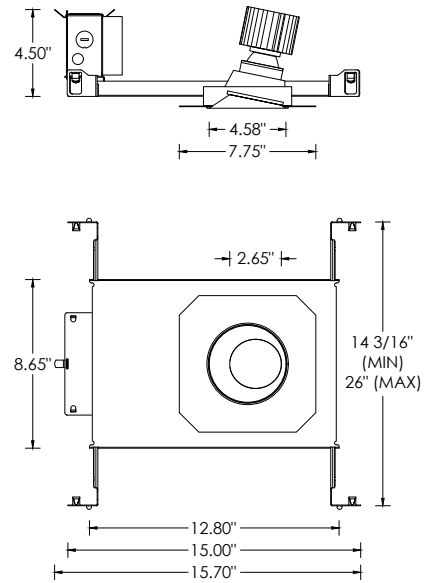
NC - NEW CONSTRUCTION HOUSING (NON-IC AND CP RATED)
IC - NEW CONSTRUCTION IC HOUSING



RMD - REMODEL (NON-IC)



NCF - NEW CONSTRUCTION FRAME (NON-IC)



NC - NEW CONSTRUCTION HOUSING (NON-IC AND CP RATED)
IC - NEW CONSTRUCTION IC HOUSING

