

3G LIGHTING

3G-DL45RWW

4.5" ROUND WALL WASH
DOWNLIGHT



4.5" round, high performance wall wash downlight
JA8 certified with max 1500lm output
Regressed LED source for enhanced glare control
Proprietary wall wash optic and lens
Lumen range up to 4000lm (80+, 90+, and 97+ CRI options)
Remodel housing available along with other housing options
1% dimming standard with several integral driver options



PROJECT:		TYPE:	
CATALOG#:		DATE:	QTY:

CAT. NO	LUMEN OUTPUT	CRI	COLOR TEMP	BEAM ANGLE	VOLTAGE
3G-DL45RWW	10 - 1000 LUMENS 15 - 1500 LUMENS * 22 - 2200 LUMENS 30 - 3000 LUMENS 40 - 4000 LUMENS <small>*JA8 (Title 24) max lumen output is 1500lm.</small>	S80 - 80+ CRI ¹ H90 - 90+ CRI H97 - 97+ CRI ¹	27K - 2700K 30K - 3000K 35K - 3500K 40K - 4000K	WW - WALL WASH	UNV - 120/277V 120 - 120V 347 - 347V ²

DRIVER	FLANGE TYPE	BEVELED INSERT	HOUSING TYPE
DIM - 0-10V (100-1%) LE - PHASE DIM ³ <small>(TRIAC/ELV, 100-1%)</small> DO1 - 0-10V (100-0.1%) DALI - DALI (100-1%) ⁴ DHL2 - LUTRON HI-LUME <small>(1% ECOSYSTEM)</small> DMX - DMX (100-0%)	WT - WHITE TRIM BT - BLACK TRIM ST - SILVER TRIM XTR - TRIMLESS (MUD-IN DRYWALL) MWF - FLANGELESS MILLWORK ⁵	WI - WHITE BI - BLACK SI - SILVER	RMD - REMODEL (NON-IC) NCF - NEW CONSTRUCTION FRAME (NON-IC) NC - NEW CONSTRUCTION HOUSING (CP RATED) IC - NEW CONSTRUCTION IC HOUSING ⁶ <small>NCF housings ship with bar hangers NC and IC housings available with optional C-channel bar hangers</small>

OPTIONS
CP - CHICAGO PLENUM ⁷ BH - C-CHANNEL BAR HANGERS EMR - EMERGENCY BATTERY (REMOTE) ⁸
<small>BH - C-channel bar hangers optional for NC and IC housings only All other housing types ship standard with bar hangers</small>

- ¹ 97+ CRI available up to 3000lm. Available in 30K and 35K as standard
- ² 347 available in "DIM" 0-10V only (100-1%)
- ³ Phase dimming options available in 120V only
- ⁴ DALI-2 (Type 6) provided as standard. Please consult factory for DALI (Type 8) options
- ⁵ MWF option not available with Remodel (NON-IC)
- ⁶ New Construction IC housing available up to 2200lm
- ⁷ Chicago Plenum option available with New Construction Housing
- ⁸ Emergency battery installed remotely by others. Not accessible through the inside of the fixture

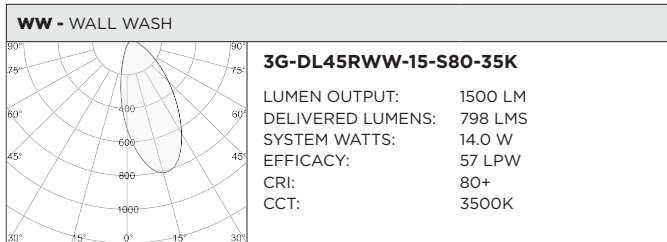


JA8 (Title 24) Listing available with 1500lm maximum
Available in 90CRI only
Driver options include "DIM" (0-10V) and "LE" (Phase dimming)

BASED ON WALL WASH OPTIC AND 3500K SOURCE

LUMEN OUTPUT	80+ CRI			90+ CRI			97+ CRI		
	DELIVERED LUMENS	SYSTEM WATTS	EFFICACY (LPW)	DELIVERED LUMENS	SYSTEM WATTS	EFFICACY (LPW)	DELIVERED LUMENS	SYSTEM WATTS	EFFICACY (LPW)
1000LMs	637	10.3	62	560	10.3	54	522	10.3	51
1500LMs	798	14.0	57	702	14.0	50	654	14.0	47
2200LMs	1224	22.0	56	1078	22.0	49	1004	22.0	46
3000LMs	1749	31.3	56	1539	31.3	49	1434	31.3	46
4000LMs	2206	43.0	51	1942	43.0	45	N/A	N/A	N/A

LUMEN OUTPUT MULTIPLIER: 27K=0.94, 30K=0.97, 35K=1.00, 40K=1.01



HOUSING

Remodel, new construction frame, and IC housing options available
 Maximum ceiling thickness of 1.5". Consult factory for modifications
 All housing options (except millwork) designed to be easily converted in field to trim or trimless with minimal components
 Housing rated for #12 AWG (4 in, 4 out), 90°C conductors and through branch wiring

BEVELED INSERT

Cast aluminum beveled insert with matte powder coated finish
 4.5" aperture with regressed LED source for enhanced glare control

TRIM

Machined aluminum trim flange with matte powder coated finish and minimal 0.375" overlap

TRIMLESS

Mudding flange features a perforated surface for easy mud-in application
 Integral blocking support provided to ensure fixture is properly secured within ceiling structure

OPTICS

Regressed LED source for enhanced glare control
 Proprietary wall wash optic
 Asymmetrical lens provides uniformity and smooth illumination across and down the wall

LISTING

ETL listed and conforms to UL1598 standard. Certified to CSA22.2 No.250.0.
 Energy Star and JA8 certified
 Rated for indoor dry or damp locations

WARRANTY

5 Year Warranty on LED and drivers
 Manufacturer 1 Year Warranty for defects in material and workmanship under normal use
 Ambient temperature at fixture should not exceed 25°C

ELECTRICAL

Standard 0-10V, constant current drivers with 100-1% dimming range and >0.9 power factor
 120V Forward Phase/Reverse Phase driver option with 100-1% dimming range
 Standard 120/277V universal voltage with several driver options
 All drivers are integral and easily accessible through luminaire aperture
 Optional remote emergency battery installed by others. Not accessible through fixture aperture. 10W output for 90 minutes (+/- 1000lm at 80+ CRI)

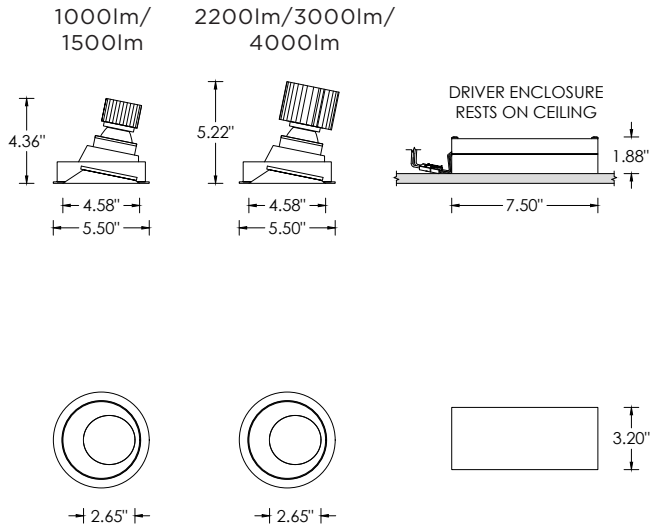
LED SYSTEM

<2 SDCM LED module (field replaceable)
 Standard (80+ CRI). Optional (90+ and 97+ CRI)
 Available in 27K, 30K, 35K, and 40K
 L90 >50,000 hours
 5 Year Warranty

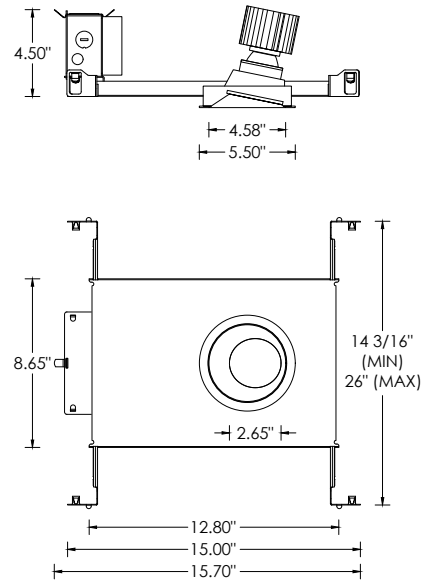
MOUNTING

Trim fixture designed for use in drywall, wood, acoustic, and other architectural ceilings
 Trimless fixture designed for use in drywall, mud-in ceiling applications
 Recommended ceiling cut-out for all housing options (5 1/8" diameter).
 Millwork Flangeless (4.78" diameter)
 New construction frame ships with bar hangers (14" to 26" extension)
 Standard new construction and IC housings available with optional c-channel bar hangers

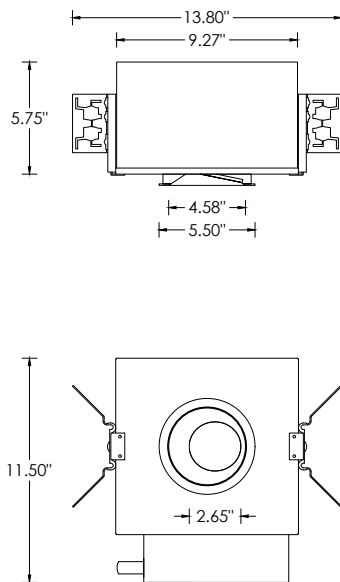
RMD - REMODEL (NON-IC)



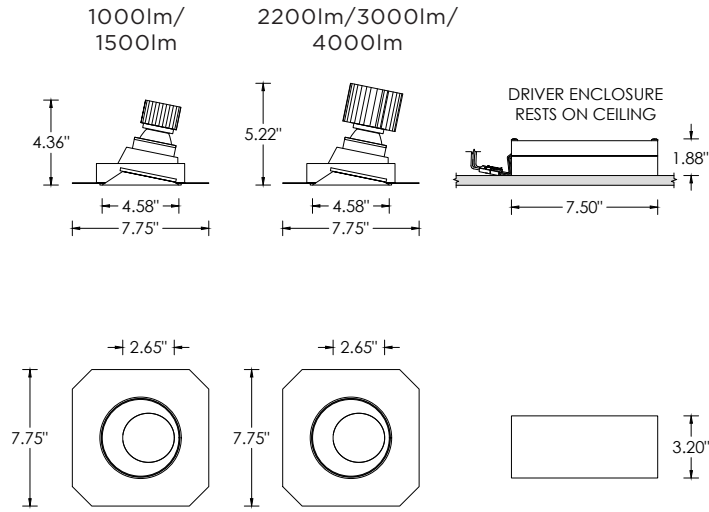
NCF - NEW CONSTRUCTION FRAME (NON-IC)



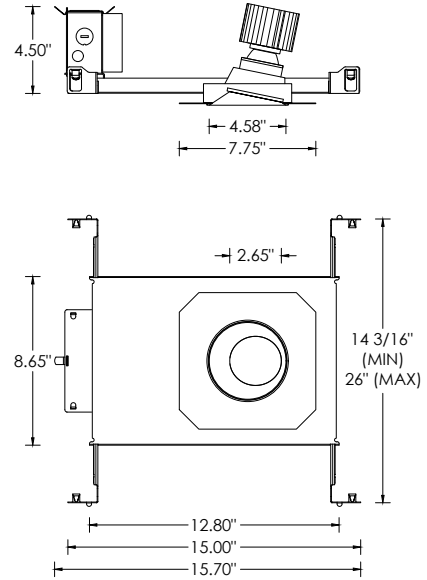
NC - NEW CONSTRUCTION HOUSING (NON-IC AND CP RATED)
IC - NEW CONSTRUCTION IC HOUSING (2200LM MAX)



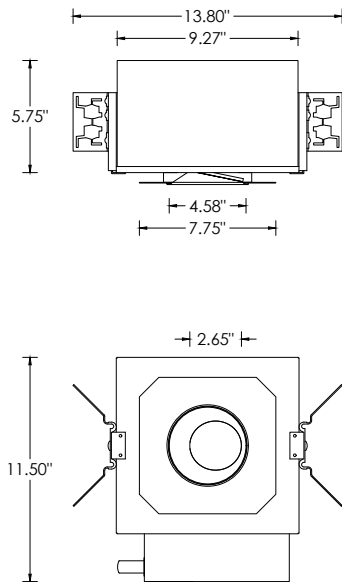
RMD - REMODEL (NON-IC)



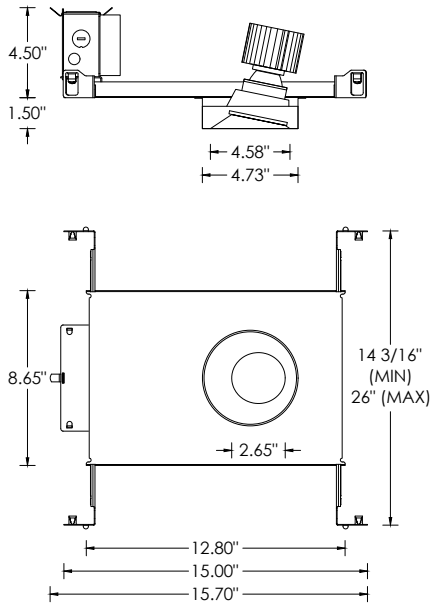
NCF - NEW CONSTRUCTION FRAME (NON-IC)



NC - NEW CONSTRUCTION HOUSING (NON-IC AND CP RATED)
IC - NEW CONSTRUCTION IC HOUSING (2200LM MAX)



NCF - NEW CONSTRUCTION FRAME (NON-IC)



NC - NEW CONSTRUCTION HOUSING (NON-IC AND CP RATED)
IC - NEW CONSTRUCTION IC HOUSING (2200LM MAX)

