

# 3G LIGHTING

## 3G-DL40SF

4.0" SQUARE FIXED  
DYNAMIC WHITE



4.0" square, high performance downlight  
Dim to Warm and Tunable White LED options up to 2000lm (90+ CRI)  
Regressed LED source for enhanced glare control  
Wet location option available  
Shallow housing available along with remodel and other housing options  
1% dimming standard with several integral driver options

**3GD 3GT**

<b>PROJECT:</b>		<b>TYPE:</b>	
<b>CATALOG#:</b>		<b>DATE:</b>	<b>QTY:</b>

CAT. NO	LED SOURCE	LUMEN OUTPUT	CRI	BEAM ANGLE	VOLTAGE
<b>3G-DL40SF</b>	<b>DW</b> - DIM TO WARM (1800K-3000K) <b>TW</b> - TUNABLE WHITE <sup>1</sup> (2700K-6500K)	<b>08</b> - 800 LUMENS <b>12</b> - 1200 LUMENS <b>20</b> - 2000 LUMENS	<b>H90</b> - 90+ CRI	<b>20D</b> - 20° <sup>2</sup> <b>30D</b> - 30° <b>40D</b> - 40° <b>50D</b> - 50° <b>60D</b> - 60° <b>90D</b> - 90°	<b>UNV</b> - 120/277V <b>120</b> - 120V <b>347</b> - 347V <sup>3</sup>

DRIVER	FLANGE TYPE	BEVELED INSERT	OPTIONS
<b>DIM</b> - 0-10V (100-1%) <b>LE</b> - PHASE DIM <sup>4</sup> (TRIAC/ELV, 100-1%) <b>DO1</b> - 0-10V (100-0.1%) <sup>1</sup> <b>DALI</b> - DALI (100-1%) <sup>1</sup> <b>DHL2</b> - LUTRON HI-LUME (1% ECOSYSTEM) <b>DMX</b> - DMX (100-0%) <sup>1</sup>	<b>WT</b> - WHITE TRIM <b>BT</b> - BLACK TRIM <b>ST</b> - SILVER TRIM <b>XTR</b> - TRIMLESS (MUD-IN DRYWALL) (SUPPLIED WITH LENS) <b>MWF</b> - FLANGELESS MILLWORK <sup>5</sup> (SUPPLIED WITH LENS)	<b>WI</b> - WHITE <b>BI</b> - BLACK <b>SI</b> - SILVER	<b>RMD</b> - REMODEL (NON-IC) <b>NCF</b> - NEW CONSTRUCTION FRAME (NON-IC) <b>SH</b> - SHALLOW HOUSING <sup>6</sup> (IC RATED) <b>NC</b> - NEW CONSTRUCTION <sup>6</sup> HOUSING <b>IC</b> - NEW CONSTRUCTION IC HOUSING

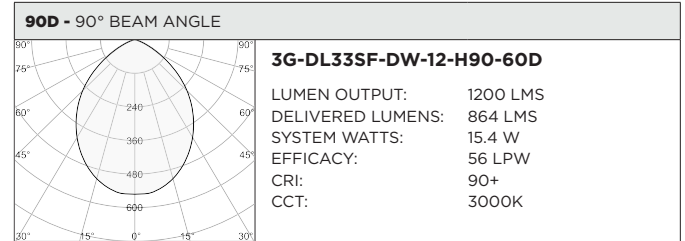
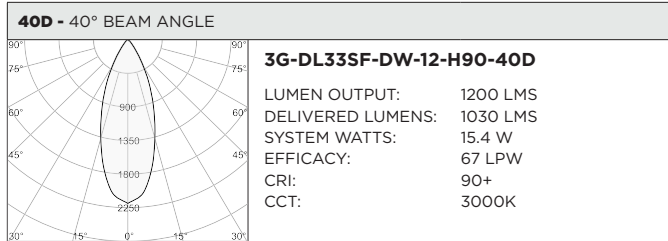
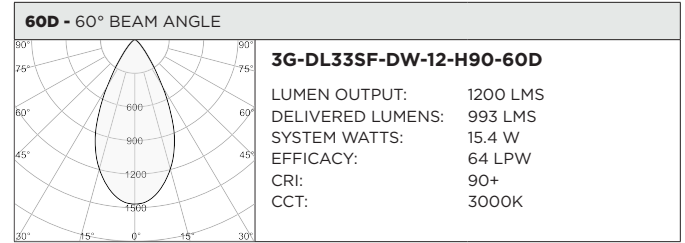
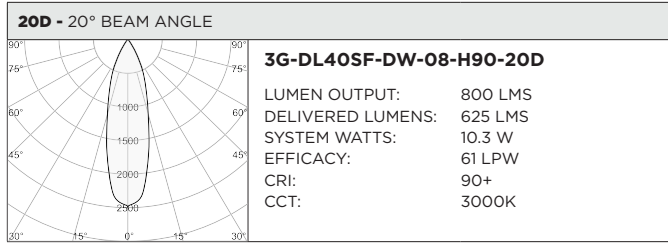
OPTIONS
<b>LS</b> - LINEAR SPREAD LENS <b>SB</b> - SANDBLASTED LENS <b>SF</b> - SOFTENING LENS (SUPPLIED STANDARD) <b>WL</b> - WET LOCATION <b>CP</b> - CHICAGO PLENUM <sup>6</sup> <b>BH</b> - C-CHANNEL BAR HANGERS <b>EMR</b> - EMERGENCY BATTERY (REMOTE) <sup>7</sup>
<small><sup>1</sup> Individual units available from 2' to 8' <sup>2</sup> not available for grid ceiling version Continuous runs available in 1" increments as standard</small>

- 1 Tunable White option available with DO1, DALI and DMX drivers
- 2 20D reflector available with 800 lumen output only
- 3 347 available in "DIM" 0-10V only (100-1%)
- 4 Phase dimming options available in 120V only
- 5 MWF not available with Remodel (NON-IC)
- 6 Chicago Plenum option available with Shallow Housing and New Construction Housing
- 7 Fixture operates at 6500K in emergency mode. Emergency battery installed remotely by others. Not accessible through the inside of the fixture

**3GD** - Warm Dim  
**3GT** - Tunable White

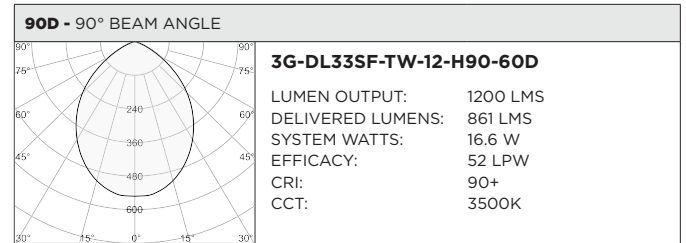
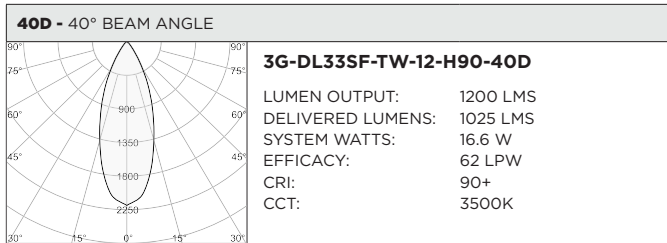
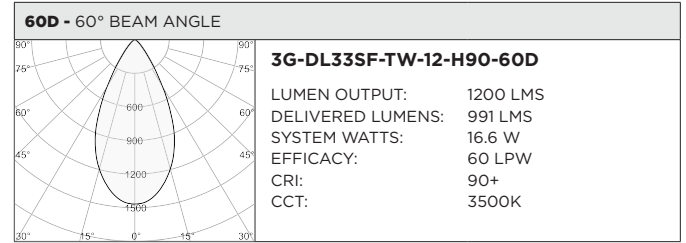
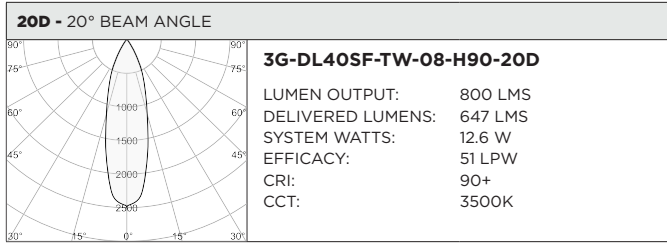
BASED ON 60° BEAM ANGLE AND 3000K SOURCE WITH SOFTENING LENS

LUMEN OUTPUT	90+ CRI (2700K)		
	DELIVERED LUMENS	SYSTEM WATTS	EFFICACY (LPW)
<b>800LMs</b>	N/A	N/A	N/A
<b>1200LMs</b>	993	15.4	64
<b>2000LMs</b>	1394	23.2	60



BASED ON 60° BEAM ANGLE WITH SOFTENING LENS

LUMEN OUTPUT	90+ CRI (2700K)			90+ CRI (3500K)			90+ CRI (6500K)		
	DELIVERED LUMENS	SYSTEM WATTS	EFFICACY (LPW)	DELIVERED LUMENS	SYSTEM WATTS	EFFICACY (LPW)	DELIVERED LUMENS	SYSTEM WATTS	EFFICACY (LPW)
<b>800LMs</b>	N/A	N/A	N/A	N/A	N/A	N/A	N/A	N/A	N/A
<b>1200LMs</b>	924	16.6	56	991	16.6	60	1091	16.6	66
<b>2000LMs</b>	1331	24.5	54	1358	24.5	55	1589	24.5	65



**HOUSING**

Remodel, new construction frame, shallow housing, and IC housing options available

Maximum ceiling thickness of 1.5". Consult factory for modifications

All housing options designed to be easily converted in field to trim or trimless with minimal components

Housing rated for #12 AWG (4 in, 4 out), 90°C conductors and through branch wiring

**BEVELED INSERT**

Cast aluminum beveled insert with matte powder coated finish

4.0" aperture with regressed LED source for enhanced glare control

**TRIM**

Cast aluminum trim flange with matte powder coated finish and minimal 0.375" overlap

**TRIMLESS**

Mudding flange features a perforated surface for easy mud-in application

Integral blocking support provided to ensure fixture is properly secured within ceiling structure

**OPTICS**

Regressed LED source for enhanced glare control

Proprietary anodized, aluminum reflectors are field replaceable (20° reflector not interchangeable)

Available in 20°, 30°, 40°, 50°, 60° and 90°

All models provided standard with softening lens

Wet location option supplied standard with sealed softening lens

**LISTING**

ETL listed and conforms to UL1598 standard. Certified to CSA22.2

NO.250.0. Rated for indoor dry or damp locations

**WARRANTY**

5 Year Warranty on LED and drivers

Manufacturer 1 Year Warranty for defects in material and workmanship under normal use

Ambient temperature at fixture should not exceed 25°C

**ELECTRICAL**

Standard 0-10V, constant current drivers with 100-1% dimming range and >0.9 power factor

Standard 120/277V universal voltage drivers. Optional 347V, 0-10V drivers 120V Forward Phase/Reverse Phase driver option with 100-1% dimming range

eldoLED 0-10V driver option available with 100-0.01% dimming range

eldoLED DALI and Lutron EcoSystem driver options available with 100-1% dimming range

DMX driver option available with 100-0% dimming range

All drivers are integral and easily accessible through fixture aperture

**LED SYSTEM**

<3 SDCM LED module (field replaceable)

Standard 90+ CRI

Dim to Warm (1800K-3000K)

Tunable White (2700K-6500K)

L70 >50,000 hours

5 Year Warranty

**MOUNTING**

Trim fixture designed for use in drywall, wood, acoustic, and other architectural ceilings

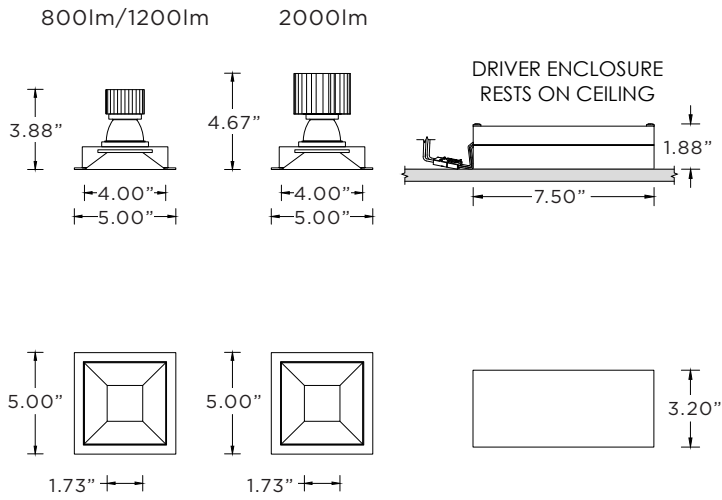
Trimless fixture designed for use in drywall, mud-in ceiling applications

Recommended ceiling cut-outs. Trim version (4 11/16" x 4 11/16"). Trimless version (5 1/16" x 5 1/16")

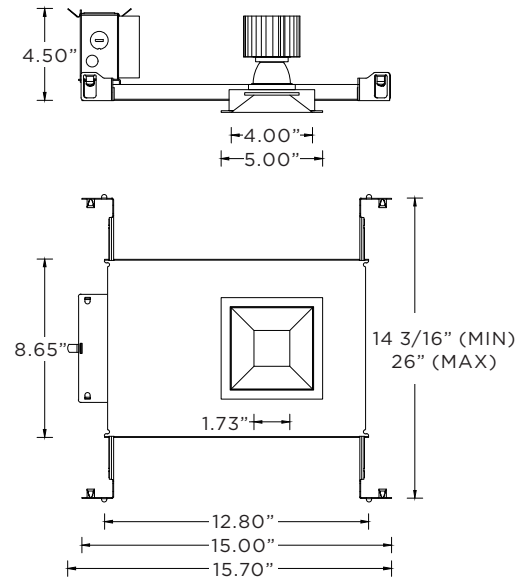
New construction frame and IC rated shallow housings ship with bar hangers (14" to 26" extension)

Standard new construction and IC housings available with optional c-channel bar hangers

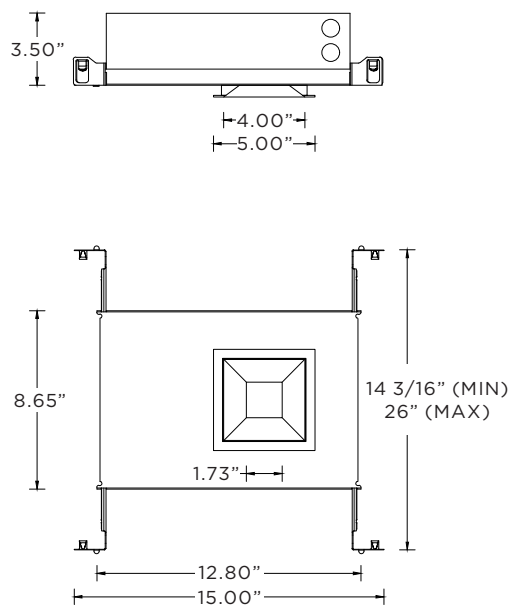
**RMD - REMODEL (NON-IC)**



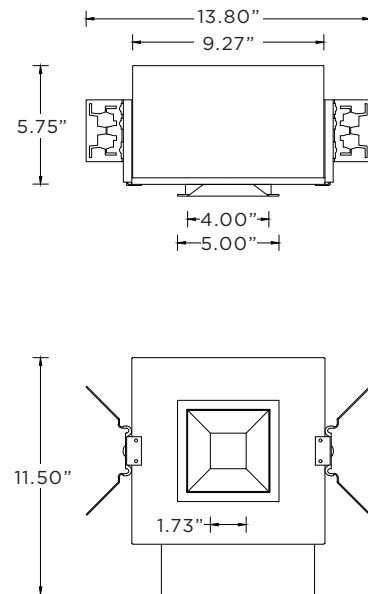
**NCF - NEW CONSTRUCTION FRAME (NON-IC)**



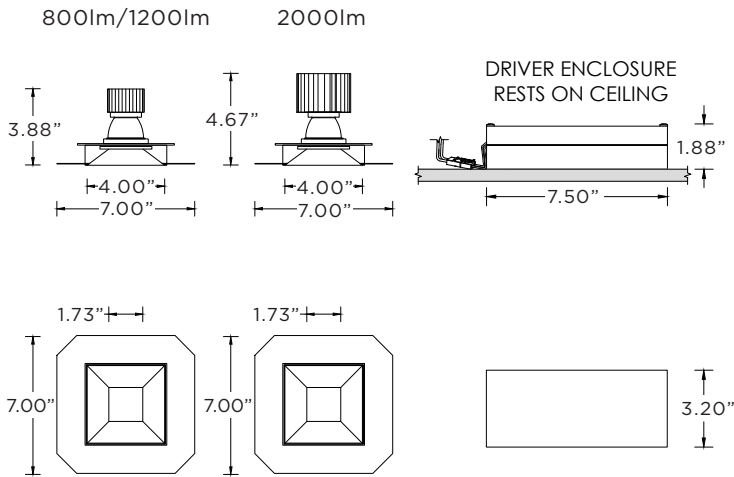
**SH - SHALLOW HOUSING (IC AND CHICAGO PLENUM RATED)**



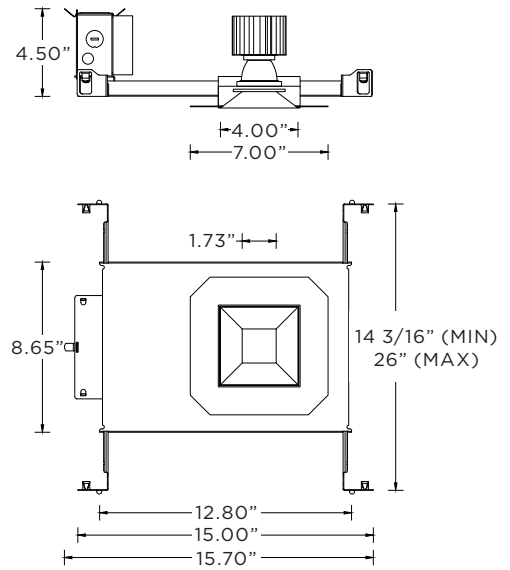
**NC - NEW CONSTRUCTION HOUSING (NON-IC AND CP RATED)**  
**IC - NEW CONSTRUCTION IC HOUSING**



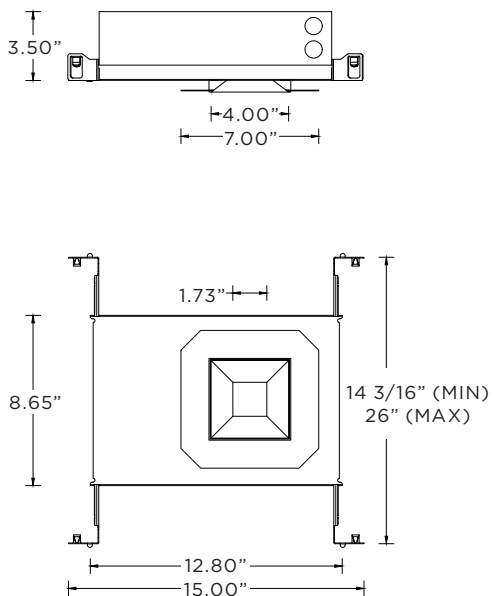
**RMD - REMODEL (NON-IC)**



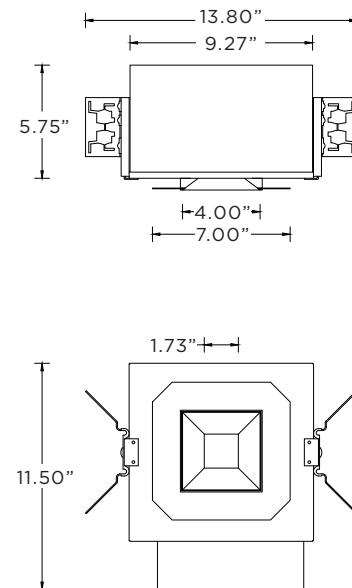
**NCF - NEW CONSTRUCTION FRAME (NON-IC)**



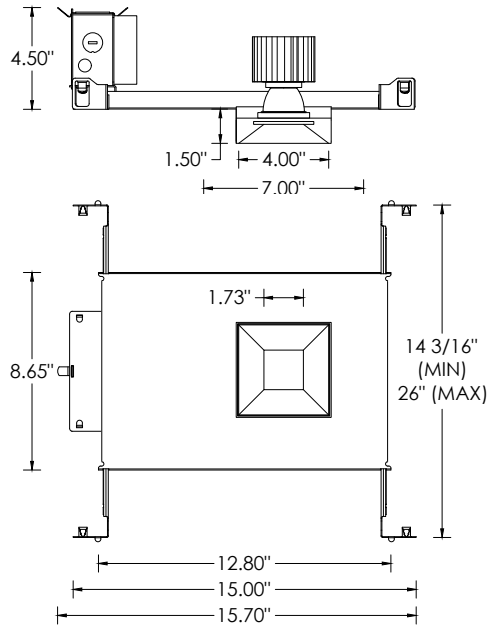
**SH - SHALLOW HOUSING (IC AND CHICAGO PLENUM RATED)**



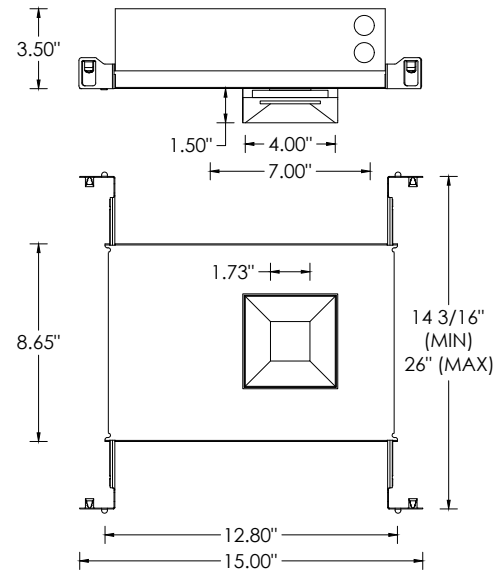
**NC - NEW CONSTRUCTION HOUSING (NON-IC AND CP RATED)**  
**IC - NEW CONSTRUCTION IC HOUSING**



**NCF - NEW CONSTRUCTION FRAME (NON-IC)**



**SH - SHALLOW HOUSING (IC AND CHICAGO PLENUM RATED)**



**NC - NEW CONSTRUCTION HOUSING (NON-IC AND CP RATED)**

**IC - NEW CONSTRUCTION IC HOUSING**

