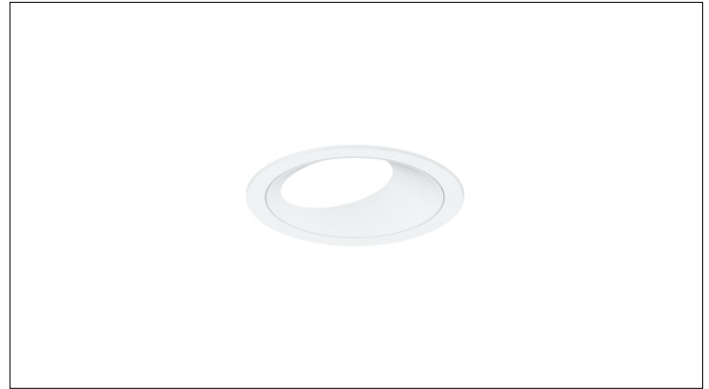


# 3G LIGHTING

## 3G-DL33RWW

3.3" ROUND WALL WASH  
DYNAMIC WHITE



Small 3.3" round, high performance dynamic white wall wash downlight  
Dim to Warm and Tunable White LED options up to 2000lm (90+ CRI)  
Regressed LED source for enhanced glare control  
Proprietary wall wash optic and lens  
Shallow housing available along with remodel and other housing options  
1% dimming standard with several integral driver options

**3GD 3GT**

<b>PROJECT:</b>		<b>TYPE:</b>	
<b>CATALOG#:</b>		<b>DATE:</b>	<b>QTY:</b>

CAT. NO	LED SOURCE	LUMEN OUTPUT	CRI	BEAM ANGLE	VOLTAGE
<b>3G-DL33RWW</b>	<b>DW</b> - DIM TO WARM (1800K-3000K) <b>TW</b> - TUNABLE WHITE <sup>1</sup> (2700K-6500K)	<b>08</b> - 800 LUMENS <b>12</b> - 1200 LUMENS <b>20</b> - 2000 LUMENS	<b>H90</b> - 90+ CRI	<b>WW</b> - WALL WASH	<b>UNV</b> - 120/277V <b>120</b> - 120V <b>347</b> - 347V <sup>2</sup>

DRIVER	FLANGE TYPE	BEVELED INSERT	OPTIONS
<b>DIM</b> - 0-10V (100-1%) <b>LE</b> - PHASE DIM <sup>3</sup> (TRIAC/ELV, 100-1%) <b>DO1</b> - 0-10V (100-0.1%) <sup>1</sup> <b>DALI</b> - DALI (100-1%) <sup>1</sup> <b>DHL2</b> - LUTRON HI-LUME (1% ECOSYSTEM) <b>DMX</b> - DMX (100-0%) <sup>1</sup>	<b>WT</b> - WHITE TRIM <b>BT</b> - BLACK TRIM <b>ST</b> - SILVER TRIM <b>XTR</b> - TRIMLESS (MUD-IN DRYWALL) <b>MWF</b> - FLANGELESS MILLWORK <sup>4</sup>	<b>WI</b> - WHITE <b>BI</b> - BLACK <b>SI</b> - SILVER	<b>RMD</b> - REMODEL (NON-IC) <b>NCF</b> - NEW CONSTRUCTION FRAME (NON-IC) <b>SH</b> - SHALLOW HOUSING <sup>5</sup> (IC RATED) <b>NC</b> - NEW CONSTRUCTION <sup>5</sup> HOUSING <b>IC</b> - NEW CONSTRUCTION IC HOUSING

OPTIONS
<b>CP</b> - CHICAGO PLENUM <sup>5</sup> <b>BH</b> - C-CHANNEL BAR HANGERS <b>EMR</b> - EMERGENCY BATTERY (REMOTE) <sup>6</sup>

Maximum 1 optical accessory

<sup>1</sup> Tunable White option available with DO1, DALI and DMX drivers

<sup>2</sup> 347 available in "DIM" 0-10V only (100-1%)

<sup>3</sup> Phase dimming options available in 120V only

<sup>4</sup> MWF not available with Remodel (NON-IC)

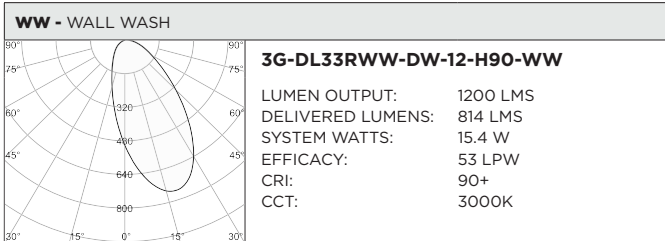
<sup>5</sup> Chicago Plenum option available with Shallow Housing and New Construction Housing

<sup>6</sup> Fixture operates at 6500K in emergency mode. Emergency battery installed remotely by others. Not accessible through the inside of the fixture

**3GD** - Warm Dim  
**3GT** - Tunable White

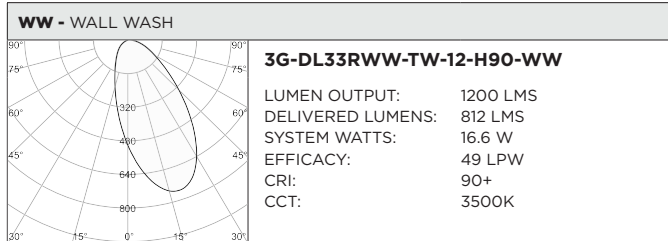
BASED ON WALL WASH OPTIC AND 3000K SOURCE

LUMEN OUTPUT	90+ CRI (3000K)		
	DELIVERED LUMENS	SYSTEM WATTS	EFFICACY (LPW)
<b>1200LMs</b>	814	15.4	53
<b>2000LMs</b>	1143	23.2	49



BASED ON WALL WASH OPTIC

LUMEN OUTPUT	90+ CRI (2700K)			90+ CRI (3500K)			90+ CRI (6500K)		
	DELIVERED LUMENS	SYSTEM WATTS	EFFICACY (LPW)	DELIVERED LUMENS	SYSTEM WATTS	EFFICACY (LPW)	DELIVERED LUMENS	SYSTEM WATTS	EFFICACY (LPW)
<b>1200LMs</b>	757	16.6	46	812	16.6	49	894	16.6	54
<b>2000LMs</b>	1091	24.5	45	1113	24.5	45	1303	24.5	53



**HOUSING**

Remodel, new construction frame, shallow housing, and IC housing options available

Maximum ceiling thickness of 1" (1.5" for Millwork Flangeless and Remodel options). Consult factory for modifications

All housing options designed to be easily converted in field to trim or trimless with minimal components

Housing rated for #12 AWG (4 in, 4 out), 90°C conductors and through branch wiring

**BEVELED INSERT**

Cast aluminum beveled insert with matte powder coated finish  
3.3" aperture with regressed LED source for enhanced glare control

**TRIM**

Machined aluminum trim flange with matte powder coated finish and minimal 0.375" overlap

**TRIMLESS**

Mudding flange features a perforated surface for easy mud-in application  
Integral blocking support provided to ensure fixture is properly secured within ceiling structure

**OPTICS**

Regressed LED source for enhanced glare control

Proprietary wall wash optic

Asymmetrical lens provides uniformity and smooth illumination across and down the wall

**LISTING**

ETL listed and conforms to UL1598 standard. Certified to CSA22.2 NO.250.0. Rated for indoor dry or damp locations

**WARRANTY**

5 Year Warranty on LED and drivers

Manufacturer 1 Year Warranty for defects in material and workmanship under normal use

Ambient temperature at fixture should not exceed 25°C

**ELECTRICAL**

Standard 0-10V, constant current drivers with 100-1% dimming range and >0.9 power factor

Standard 120/277V universal voltage drivers. Optional 347V, 0-10V drivers  
120V Forward Phase/Reverse Phase driver option with 100-1% dimming range  
eldoLED 0-10V driver option available with 100-0.01% dimming range  
eldoLED DALI and Lutron EcoSystem driver options available with 100-1% dimming range

DMX driver option available with 100-0% dimming range

All drivers are integral and easily accessible through fixture aperture

**LED SYSTEM**

<3 SDCM LED module (field replaceable)

Standard 90+ CRI

Dim to Warm (1800K-3000K)

Tunable White (2700K-6500K)

L70 >50,000 hours

5 Year Warranty

**MOUNTING**

Trim fixture designed for use in drywall, wood, acoustic, and other architectural ceilings

Trimless fixture designed for use in drywall, mud-in ceiling applications  
Recommended ceiling cut-out for Millwork Flangeless option (3.525" diameter for ceilings up to 1"). Contact 3G for thicker ceilings

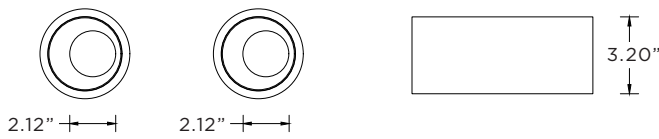
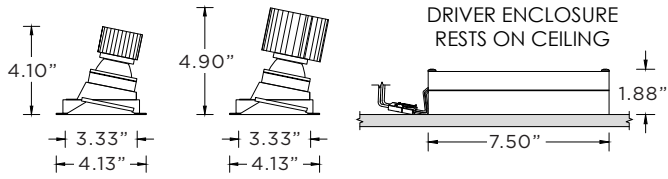
Recommended ceiling cut-out for all other housing options (3 13/16" diameter)

New construction frame and IC rated shallow housings ship with bar hangers (14" to 26" extension)

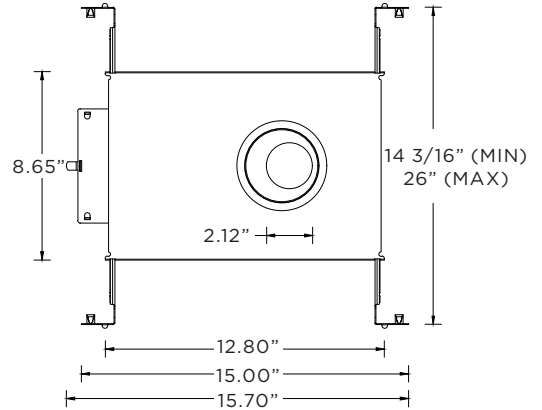
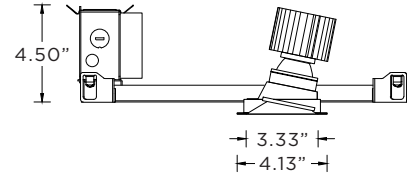
Standard new construction and IC housings available with optional c-channel bar hangers

**RMD - REMODEL (NON-IC)**

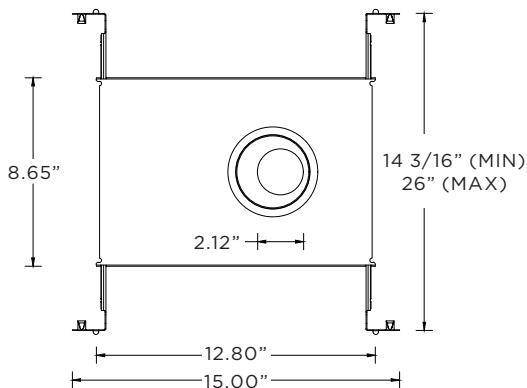
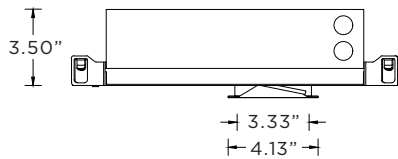
800lm/1200lm    2000lm



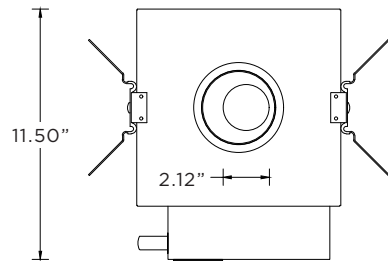
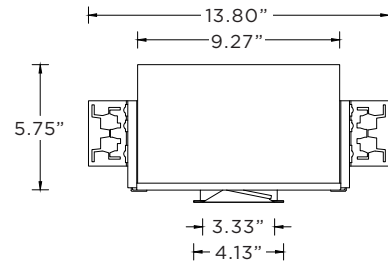
**NCF - NEW CONSTRUCTION FRAME (NON-IC)**



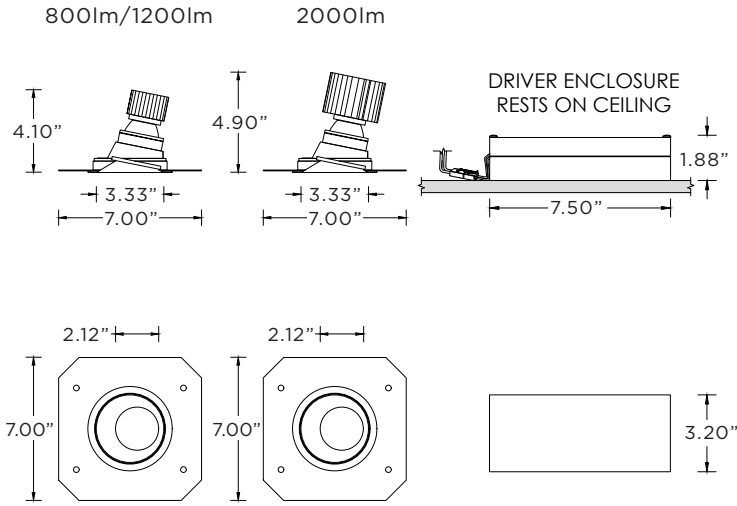
**SH - SHALLOW HOUSING (IC AND CHICAGO PLENUM RATED)**



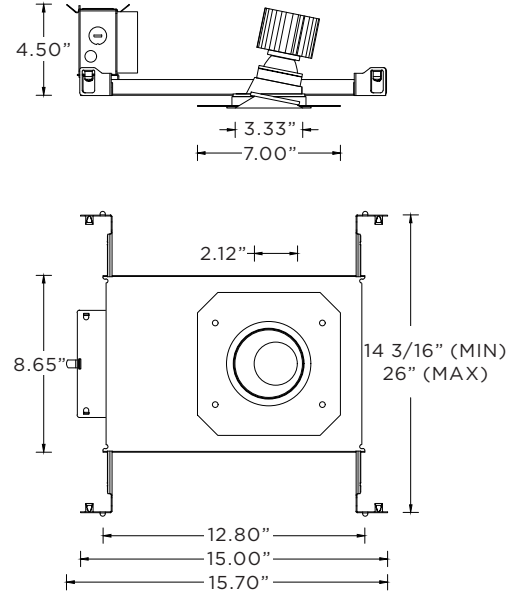
**NC - NEW CONSTRUCTION HOUSING (NON-IC AND CP RATED)**  
**IC - NEW CONSTRUCTION IC HOUSING**



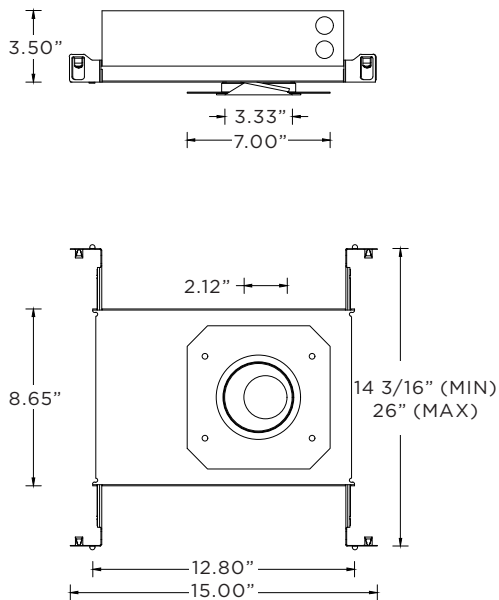
**RMD - REMODEL (NON-IC)**



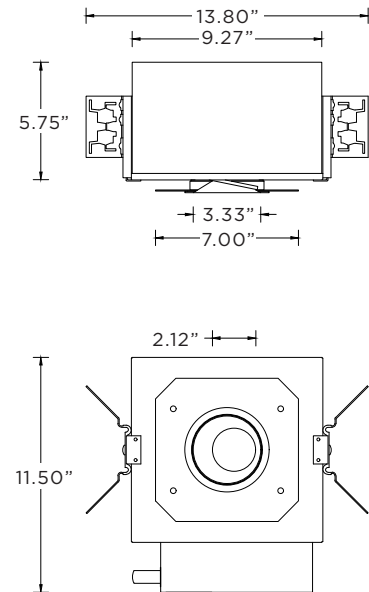
**NCF - NEW CONSTRUCTION FRAME (NON-IC)**



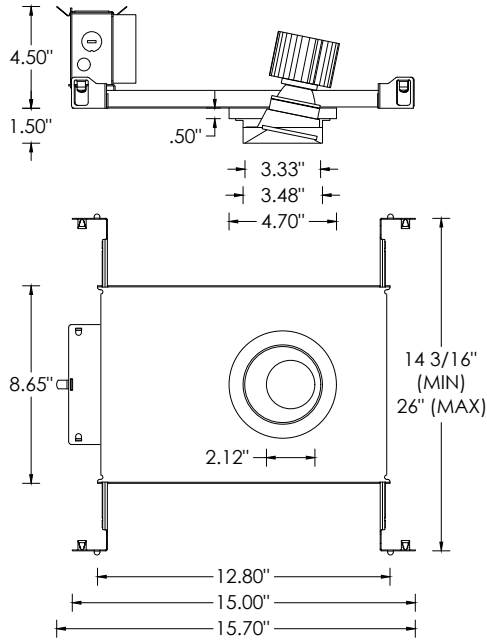
**SH - SHALLOW HOUSING (IC AND CHICAGO PLENUM RATED)**



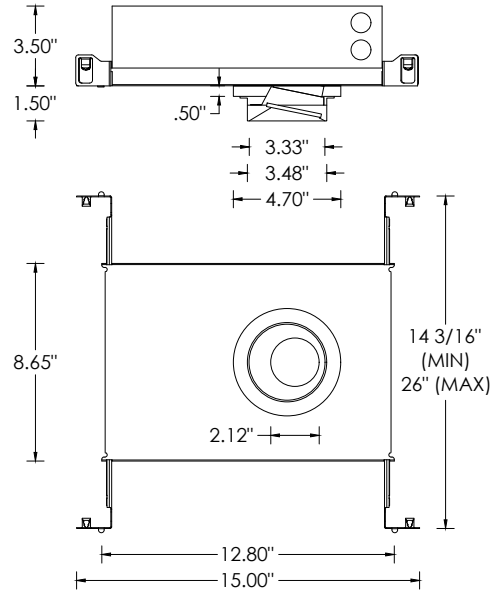
**NC - NEW CONSTRUCTION HOUSING (NON-IC AND CP RATED)**  
**IC - NEW CONSTRUCTION IC HOUSING**



**NCF - NEW CONSTRUCTION FRAME (NON-IC)**



**SH - SHALLOW HOUSING (IC AND CHICAGO PLENUM RATED)**



**NC - NEW CONSTRUCTION HOUSING (NON-IC AND CP RATED)**

**IC - NEW CONSTRUCTION IC HOUSING**

