

3G LIGHTING

3G-DL45RF

4.5" ROUND FIXED
DOWNLIGHT



4.5" round, high performance downlight
Energy Star and JA8 certified with max 1500lm output
Regressed LED source for enhanced glare control
Lumen range up to 4000lm (80+, 90+, and 97+ CRI options)
Wet location option available
Shallow housing available along with remodel and other housing options
1% dimming standard with several integral driver options



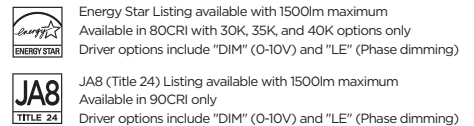
PROJECT:		TYPE:	
CATALOG#:		DATE:	QTY:

CAT. NO	LUMEN OUTPUT	CRI	COLOR TEMP	BEAM ANGLE	VOLTAGE
3G-DL45RF	10 - 1000 LUMENS	S80 - 80+ CRI ¹	27K - 2700K	10D - 10° ²	UNV - 120/277V
	15 - 1500 LUMENS *	H90 - 90+ CRI	30K - 3000K	20D - 20°	120 - 120V
	22 - 2200 LUMENS	H97 - 97+ CRI ¹	35K - 3500K	40D - 40°	347 - 347V ³
	30 - 3000 LUMENS		40K - 4000K	60D - 60°	
	40 - 4000 LUMENS			90D - 90° *	
	*Energy Star and JA8 (Title 24) max lumen output is 1500lm.			*90D reflector supplied standard with lens	

DRIVER	FLANGE TYPE	BEVELED INSERT	HOUSING TYPE
DIM - 0-10V (100-1%) LE - PHASE DIM ⁴ <small>(TRIAC/ELV, 100-1%)</small> DO1 - 0-10V (100-0.1%) DALI - DALI (100-1%) ⁵ DHL2 - LUTRON HI-LUME <small>(1% ECOSYSTEM)</small> DMX - DMX (100-0%)	WT - WHITE TRIM BT - BLACK TRIM ST - SILVER TRIM XTR - TRIMLESS (MUD-IN DRYWALL) MWF - FLANGELESS MILLWORK ⁶	WI - WHITE BI - BLACK SI - SILVER	RMD - REMODEL (NON-IC) NCF - NEW CONSTRUCTION FRAME (NON-IC) SH - SHALLOW HOUSING ⁷ <small>(IC RATED & CP RATED)</small> NC - NEW CONSTRUCTION HOUSING (CP RATED) IC - NEW CONSTRUCTION IC HOUSING ⁷ <small>NCF and SH housings ship with bar hangers NC and IC housings available with optional C-channel bar hangers</small>

OPTIONS
LS - LINEAR SPREAD LENS SB - SANDBLASTED LENS SF - SOFTENING LENS (SUPPLIED STANDARD) WL - WET LOCATION ⁸ CP - CHICAGO PLENUM ⁹ BH - C-CHANNEL BAR HANGERS EMR - EMERGENCY BATTERY (REMOTE) ¹⁰ <small>Maximum 1 optical accessory BH - C-channel bar hangers optional for NC and IC housings only All other housing types ship standard with bar hangers</small>

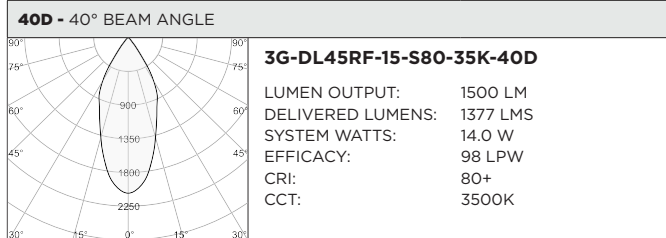
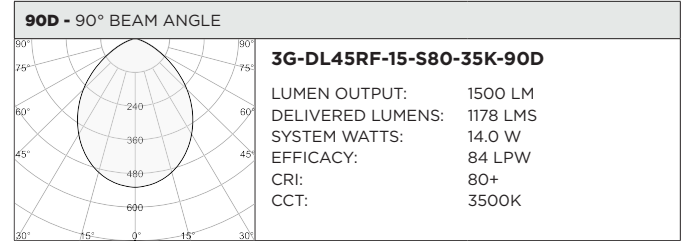
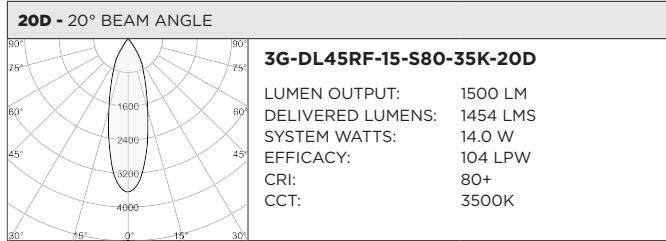
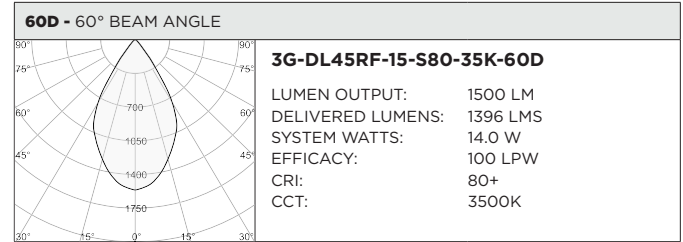
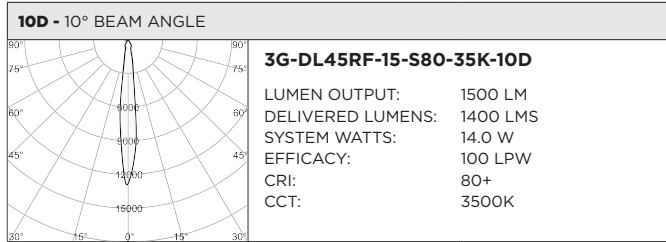
¹ S80 not available in 27K. H97 available in 30K and 35K as standard
² 10D reflector available up to 2200lm
³ 347 available in "DIM" 0-10V only (100-1%)
⁴ Phase dimming options available in 120V only
⁵ DALI-2 (Type 6) provided as standard. Please consult factory for DALI (Type 8) options
⁶ MWF not available with Remodel (NON-IC)
⁷ IC rated Shallow Housing and New Construction IC housing available up to 2200lm
⁸ Wet location option provided standard with sealed softening lens
⁹ Chicago Plenum option available with Shallow Housing (1500lm max) and New Construction Housing
¹⁰ Emergency battery installed remotely by others. Not accessible through the inside of the fixture



BASED ON 20° BEAM ANGLE AND 3500K SOURCE

LUMEN OUTPUT	80+ CRI			90+ CRI			97+ CRI		
	DELIVERED LUMENS	SYSTEM WATTS	EFFICACY (LPW)	DELIVERED LUMENS	SYSTEM WATTS	EFFICACY (LPW)	DELIVERED LUMENS	SYSTEM WATTS	EFFICACY (LPW)
1000LMs	1080	10.3	105	950	10.3	92	886	10.3	86
1500LMs	1454	14.0	104	1279	14.0	91	1192	14.0	85
2200LMs	2156	22.0	98	1898	22.0	86	1768	22.0	80
3000LMs	2634	31.0	85	2318	31.0	75	2160	31.0	70
4000LMs	3848	43.0	89	3386	43.0	79	N/A	N/A	N/A

LUMEN OUTPUT MULTIPLIER: 27K=0.94, 30K=0.97, 35K=1.00, 40K=1.01



HOUSING

Remodel, new construction frame, shallow housing, and IC housing options available

Maximum ceiling thickness of 1.5". Consult factory for modifications

All housing options (except millwork) designed to be easily converted in field to trim or trimless with minimal components

Housing rated for #12 AWG (4 in, 4 out), 90°C conductors and through branch wiring

BEVELED INSERT

Cast aluminum beveled insert with matte powder coated finish
4.5" aperture with regressed LED source for enhanced glare control

TRIM

Machined aluminum trim flange with matte powder coated finish and minimal 0.375" overlap

TRIMLESS

Mudding flange features a perforated surface for easy mud-in application
Integral blocking support provided to ensure fixture is properly secured within ceiling structure

OPTICS

Regressed LED source for enhanced glare control

Proprietary anodized, aluminum reflectors are field replaceable
(10° reflector not interchangeable)

Available in 10°, 20°, 40°, 60° and 90°

Wet location option supplied standard with sealed softening lens

LISTING

ETL listed and conforms to UL1598 standard. Certified to CSA22.2 No.250.0.

Energy Star and JA8 certified

Rated for indoor dry or damp locations

WARRANTY

5 Year Warranty on LED and drivers

Manufacturer 1 Year Warranty for defects in material and workmanship under normal use

Ambient temperature at fixture should not exceed 25°C

ELECTRICAL

Standard 0-10V, constant current drivers with 100-1% dimming range and >0.9 power factor

120V Forward Phase/Reverse Phase driver option with 100-1% dimming range

Standard 120/277V universal voltage with several driver options

All drivers are integral and easily accessible through luminaire aperture

Optional remote emergency battery installed by others. Not accessible through fixture aperture. 10W output for 90 minutes (+/- 1000lm at 80+ CRI)

LED SYSTEM

<2 SDCM LED module (field replaceable)

Standard (80+ CRI). Optional (90+ and 97+ CRI)

Available in 27K, 30K, 35K, and 40K

L90 >50,000 hours

5 Year Warranty

MOUNTING

Trim fixture designed for use in drywall, wood, acoustic, and other architectural ceilings

Trimless fixture designed for use in drywall, mud-in ceiling applications

Recommended ceiling cut-out for all housing options (5 1/8" diameter).

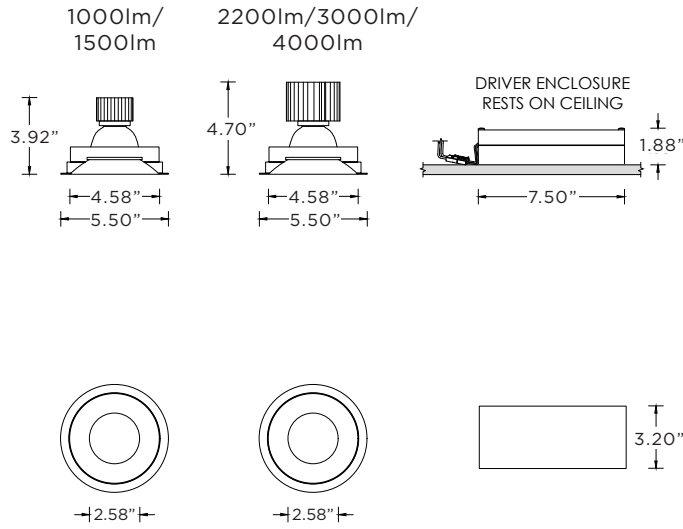
Recommended ceiling cut-out for Millwork Flangeless (4.78" diameter)

New construction frame and shallow housings ship with bar hangers

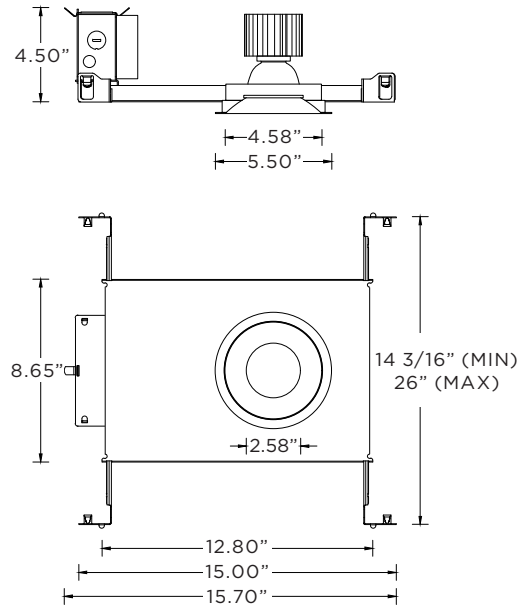
(14" to 26" extension)

New construction and IC housings available with optional c-channel bar hangers

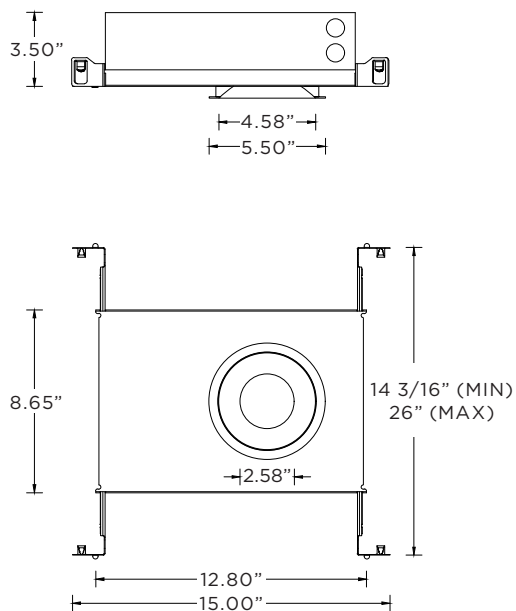
RMD - REMODEL (NON-IC)



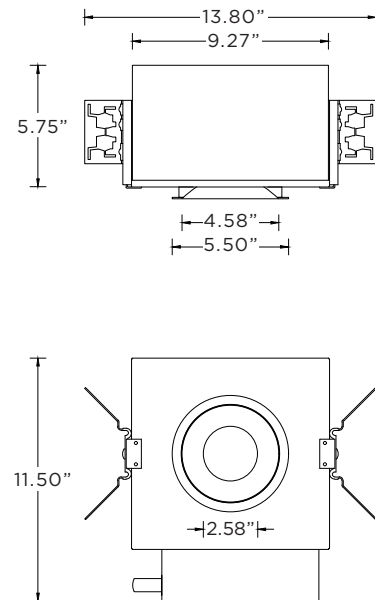
NCF - NEW CONSTRUCTION FRAME (NON-IC)



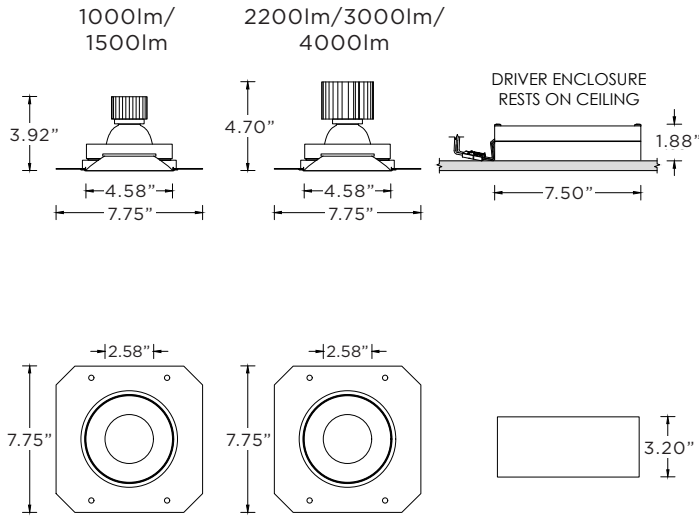
**SH - SHALLOW HOUSING (IC AND CHICAGO PLENUM RATED)
(2200LM MAX)**



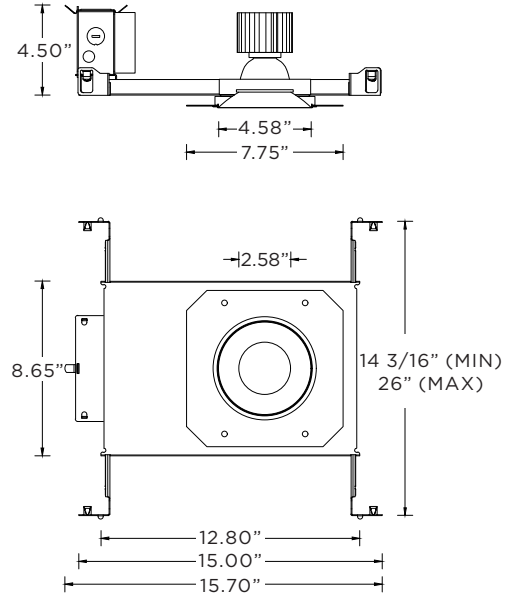
**NC - NEW CONSTRUCTION HOUSING (NON-IC AND CP RATED)
IC - NEW CONSTRUCTION IC HOUSING (2200LM MAX)**



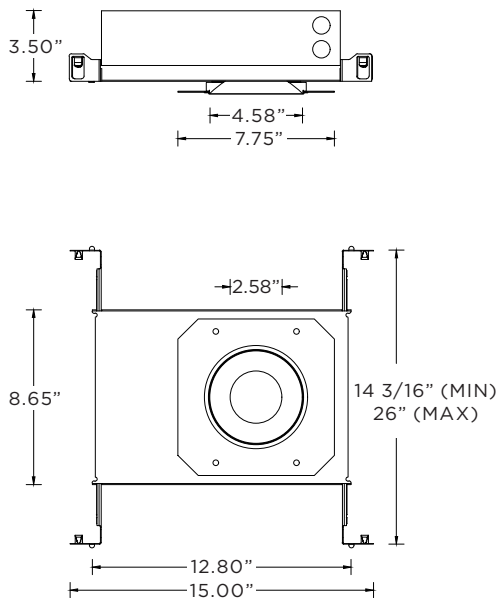
RMD - REMODEL (NON-IC)



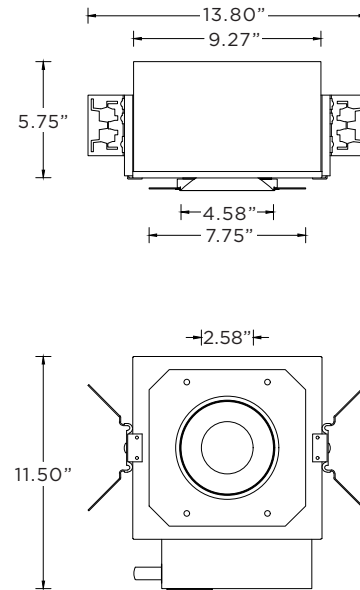
NCF - NEW CONSTRUCTION FRAME (NON-IC)



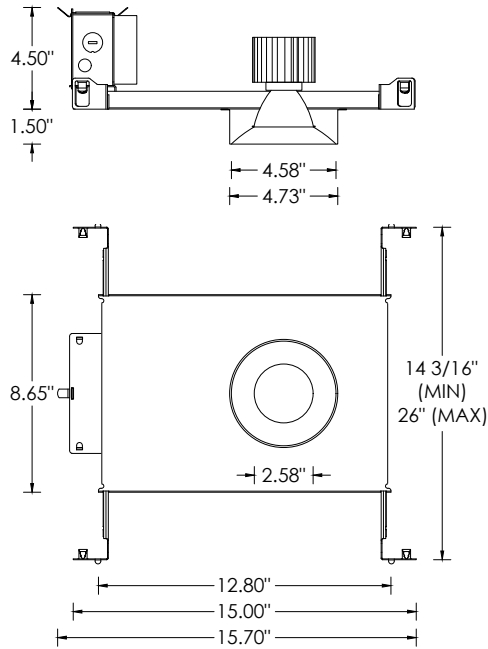
**SH - SHALLOW HOUSING (IC AND CHICAGO PLENUM RATED)
(2200LM MAX)**



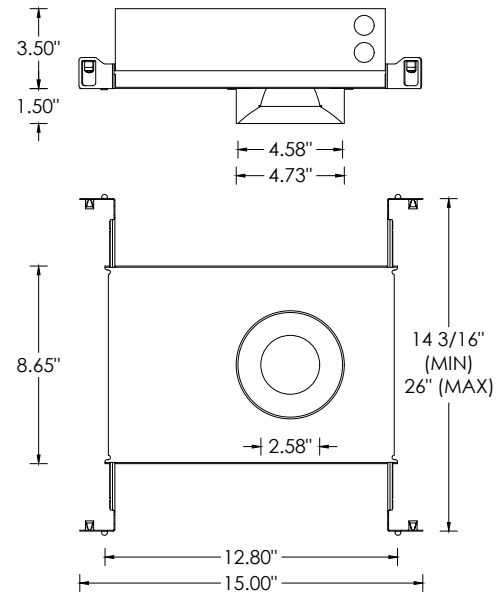
**NC - NEW CONSTRUCTION HOUSING (NON-IC AND CP RATED)
IC - NEW CONSTRUCTION IC HOUSING (2200LM MAX)**



NCF - NEW CONSTRUCTION FRAME (NON-IC)



**SH - SHALLOW HOUSING (IC AND CHICAGO PLENUM RATED)
(2200LM MAX)**



NC - NEW CONSTRUCTION HOUSING (NON-IC AND CP RATED)
IC - NEW CONSTRUCTION IC HOUSING (2200LM MAX)

