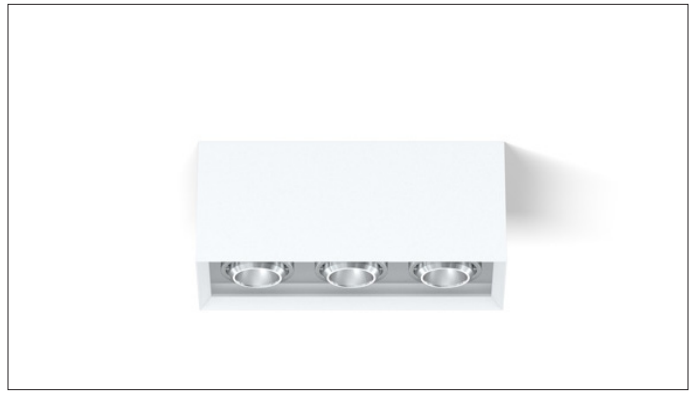




3G-SM3M5

3 LIGHT MINI MADISON
SURFACE MOUNTED
DYNAMIC WHITE



Extruded aluminum housing with fabricated mitered corners
Housing design features a beveled edge with no visible hardware
Machined aluminum double gimbal. Adjustable and lockable
1.95" Regressed LED source for enhanced glare control
Dim to Warm LED option up to 2000lm (90+ CRI)
1% dimming standard with integral drivers



ORDERING INFORMATION

PROJECT:	<input type="text"/>	TYPE:	<input type="text"/>
CATALOG #:	<input type="text"/>	DATE:	<input type="text"/>

CAT. NO	LED SOURCE	LUMEN OUTPUT	CRI	BEAM ANGLE	VOLTAGE
3G-SM3M5	DW - DIM TO WARM (1800-3000K)	08 - 800 LUMENS	H90 - 90+ CRI	20D - 20° ¹	UNV - 120/277V 120 - 120V
		12 - 1200 LUMENS		40D - 40°	
		20 - 2000 LUMENS		60D - 60°	
				90D - 90° *	
				* 90D reflector supplied standard with lens	

DRIVER	GIMBAL FINISH	HOUSING	OPTIONS
DIM - 0-10V (STANDARD 100-1%) LE - PHASE DIMMING ² (TRIAC/ELV, 100-1%, 120V ONLY)	NG - NATURAL (STANDARD) BG - BLACK WG - WHITE	BK - BLACK WH - WHITE SV - SILVER CF - CUSTOM Housing interior & exterior will be powder coated the same color	CDF - CONDUIT FEED 2C - 2 CIRCUIT HXB50 - BLACK HEXCELL LOUVER LS50 - LINEAR SPREAD SB50 - SANDBLASTED LENS SF50 - SOFTENING LENS Maximum 2 optical accessories. See optical accessories page for more options

¹ 20D reflector available with 800 lumen output only
² Forward Phase/Reverse Phase driver available in 120V only

3GD - Warm Dim

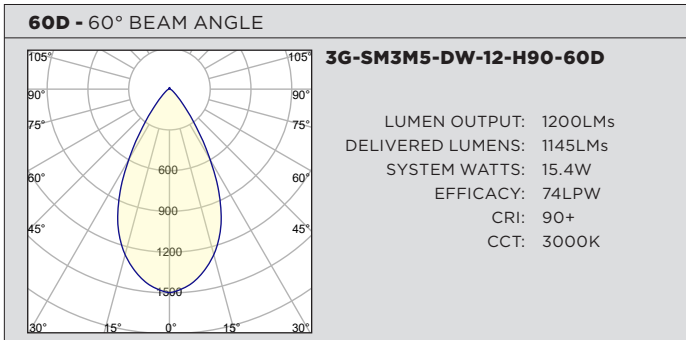
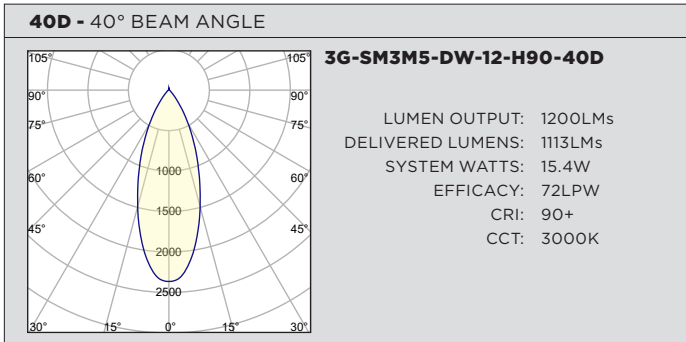
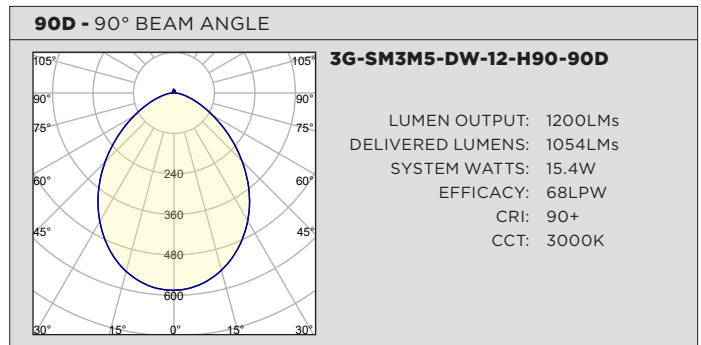
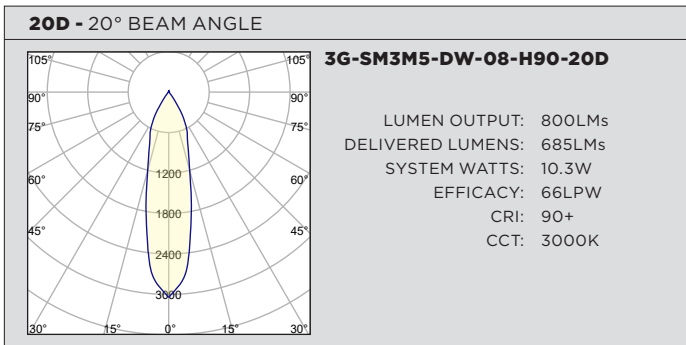
OCTOBER 27, 2022



PERFORMANCE CHART BASED ON 60° BEAM AND 3000K SOURCE (PER FIXTURE HEAD)

DIM TO WARM LUMEN OUTPUT	90+ CRI (3000K)		
	DELIVERED LUMENS	SYSTEM WATTS	EFFICACY (LPW)
800LMs	N/A	N/A	N/A
1200LMs	1145	15.4	74
2000LMs	1611	23.2	69

PHOTOMETRY (PER FIXTURE HEAD)



TECHNICAL**HOUSING**

Extruded aluminum housing with fabricated mitered corners
Housing design features a beveled edge with no visible hardware
Integral driver compartment fabricated in cold rolled steel
Standard polyester powder coated interior and exterior available in matte white, matte black, and matte silver

ADJUSTABILITY

Solid aluminum, 50mm machined double gimbals with dual axis adjustability (35°x35°)
Each double gimbal can be locked into place

OPTICS

Regressed LED source for enhanced glare control
Proprietary, high performance, anodized aluminum reflectors. Field replaceable
Available in 20°, 40°, 60°, and 90°
Fixture head designed to accept 2 optical accessories

ELECTRICAL

Standard 0-10V, constant current drivers with 100-1% dimming range and >0.9 power factor
Standard 120/277V universal voltage drivers
120V Forward Phase/Reverse Phase driver option with 100-1% dimming range
All drivers are integral and easily accessible through the top of the fixture housing

LED SYSTEM

Bridgelux LED module (field replaceable)
Color consistency <3 SDCM
Standard 90+ CRI
Dim to Warm (1800K-3000K)
L70 >50,000 hours
5 Year Warranty

MOUNTING

Suitable for surface mounted applications
Suitable for drywall, concrete, wood, grid ceiling, and other architectural ceilings
Fixture mounts to a standard junction box
Optional conduit feed available

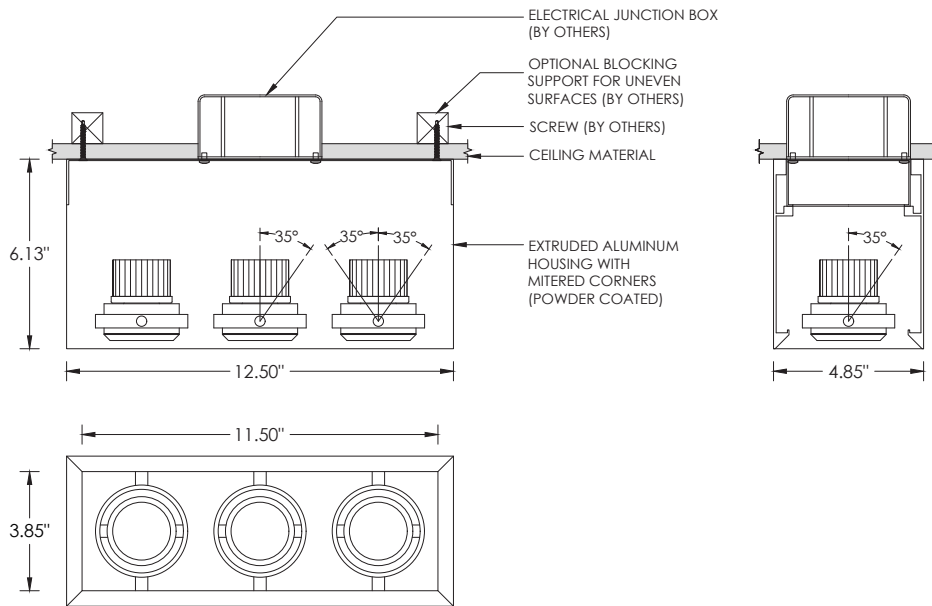
LISTING

ETL listed and conforms to UL1598 standard. Certified to CSA22.2 NO.250.0. Rated for indoor dry or damp locations

WARRANTY

5 Year Warranty on LED and drivers
Manufacturer 1 Year Warranty for defects in material and workmanship under normal use
Ambient temperature at fixture should not exceed 25°C

DRAWINGS AND DIMENSIONS



DRAWINGS AND DIMENSIONS CONDUIT FEED OPTION

