

3G LIGHTING

3G-1WLI-D

1.5" LINEAR DIRECT
WALL MOUNTED



Narrow 1.5" aperture with one piece extruded aluminum housing
Individual or continuous runs available in multiple run configurations
Direct distribution with multiple lumen output options
LED system with performance up to 111 lumens per watt
Extruded acrylic lens with optimal performance and glare control
Asymmetric optics available
1% dimming standard with several driver options

| | | | |
|------------------|--|--------------|-------------|
| PROJECT: | | TYPE: | |
| CATALOG#: | | DATE: | QTY: |

| CAT. NO | LUMEN OUTPUT | CRI | COLOR TEMP | VOLTAGE |
|------------------|---|---|--|---|
| 3G-1WLI-D | D250 - 250 LM/FT ¹ D500 - 500 LM/FT D750 - 750 LM/FT D1000 - 1000 LM/FT ² DC___ - CUSTOM OUTPUT (SPECIFY LM/FT) * <small>*Specify custom lumen outputs in 50lm increments (ie: DC600, DC650, DC700) Custom output cannot exceed D1000</small> | S80 - 80+ CRI ³ H90 - 90+ CRI | 27K - 2700K 30K - 3000K 35K - 3500K 40K - 4000K | UNV - 120/277V 347 - 347V ⁴ |

| DRIVER | LENS OPTION | FINISH | OPTIONS |
|--|--|--|---|
| DIM - 0-10V (100-1%) DO1 - 0-10V (100-0.1%) DALI - DALI (100-1%) ⁵ DHL2 - LUTRON HI-LUME (1% ECOSYSTEM) DMX - DMX (100-0%) | FL - FLUSH DASY - ASYMMETRIC LENS | WH - WHITE BK - BLACK SV - SILVER | EMB - EMERGENCY BATTERY * (INTEGRAL) EMC - EMERGENCY CIRCUIT <small>*Minimum 4' section</small> |

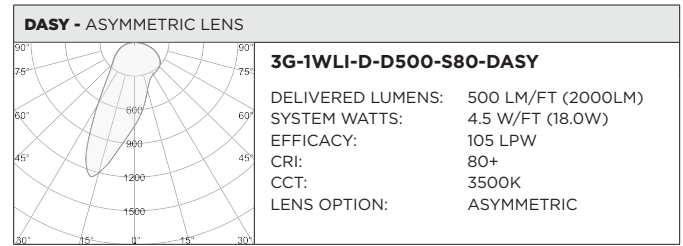
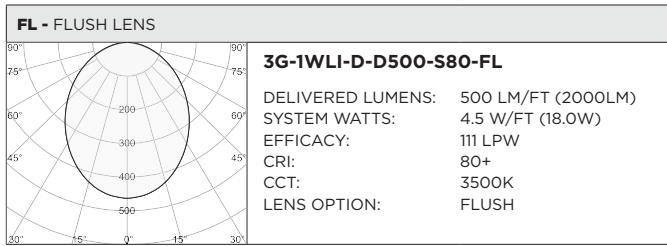
| RUN TYPE |
|---|
| S - ___' (STRAIGHT) * L - ___'X ___' (L-SHAPE) U - ___'X ___'X ___' (U-SHAPE) <small>*Individual units available from 2' to 8' Continuous runs available in 1" increments as standard</small> |

- ¹ D250 (250LM/FT) not available in 2' length with DALI, DO1, DMX, or DHL2. Specify minimum DC350 for those driver options
- ² D1000 (1000LM/FT) not available with H90 (90+ CRI)
- ³ S80 (80+ CRI) not available with 27K and 40K
- ⁴ 347 available in "DIM" 0-10V only (100-1%)
- ⁵ DALI-2 (Type 6) provided as standard. Please consult factory for DALI (Type 8) options

BASED ON 4' LENGTH (80+ CRI AND 3500K SOURCE)

| LENS OPTION | DELIVERED LUMENS (LM/FT) | SYSTEM WATTS (W/FT) | EFFICACY (LPW) |
|-------------------|--------------------------|---------------------|----------------|
| FLUSH | 250 | 2.3 | 110 |
| | 500 | 4.5 | 111 |
| | 750 | 7.2 | 105 |
| | 1000 | 9.9 | 101 |
| ASYMMETRIC | 250 | 2.3 | 106 |
| | 500 | 4.5 | 105 |
| | 750 | 7.2 | 102 |
| | 1000 | 9.9 | 102 |

LUMEN OUTPUT MULTIPLIER: 27K=0.94, 30K=0.97, 35K=1.00, 40K=1.01, 90CRI=0.88



HOUSING

Extruded aluminum housing with narrow 1.5" aperture
 Die cast aluminum end caps add 1/4" to each end of luminaire
 Individual units and continuous runs available in 1" increments as standard
 24-gauge LED reflector with high reflectance white powder coated finish
 Standard polyester powder coated matte white finish. Optional finishes available

OPTICS

Extruded, satin acrylic lens designed for optimal performance and glare control. Up to 8' continuous
 High performance asymmetric optics available

LISTING

ETL listed and conforms to UL1598 standard. Certified to CSA22.2 NO.250.0. Rated for indoor dry or damp locations

WARRANTY

5 Year Warranty on LED and drivers
 Manufacturer 1 Year Warranty for defects in material and workmanship under normal use
 Ambient temperature at fixture should not exceed 25°C

ELECTRICAL

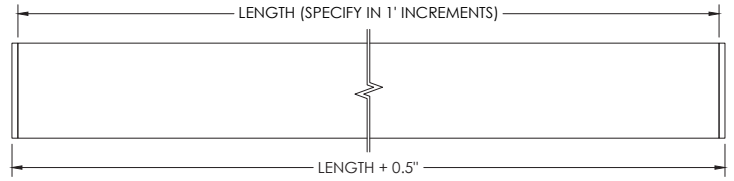
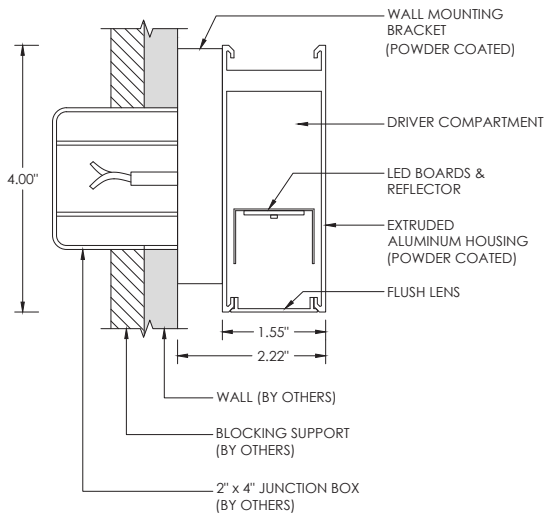
Standard 0-10V, constant current drivers with 100-1% dimming range and >0.9 power factor
 Standard 120/277V universal voltage with several driver options
 Luminaires are pre-wired with factory installed quick connects and branch circuit wiring
 All drivers are integral and easily accessible through luminaire aperture
 Minimum 4' and maximum 6' length for each integral emergency battery. 10W output for 90 minutes

LED SYSTEM

Proprietary LED system with color consistency <3 SDCM
 Available in 27K, 30K, 35K, and 40K
 Standard 80+CRI. Optional 90+CRI
 R9 value of 56 for 90+CRI
 L90 >60,000 hours
 5 Year Warranty

MOUNTING

Toolless installation with 3G's proprietary mounting system
 Internal, toolless joiner system (latch and hook) easily connects multiple sections together
 LED reflectors remain within each fixture section during installation with 3G's click and lock spring system
 Suitable for wall mount applications (2"x4" junction box)
 Fixture is secured to mounting brackets that fasten directly to wall
 Suitable for various architectural ceilings (see mounting details)
 Fixture weight: +/- 2.5 lb/ft



LENS OPTION

FL - FLUSH

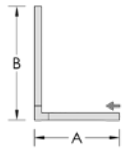
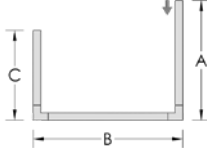
DASY - ASYMMETRIC



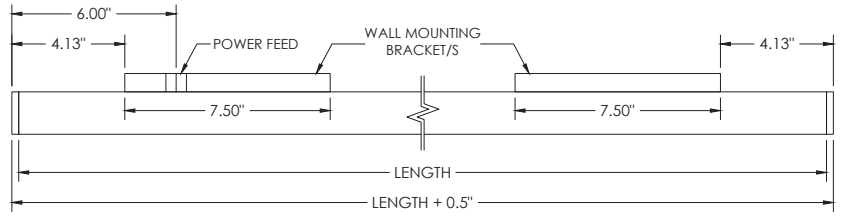
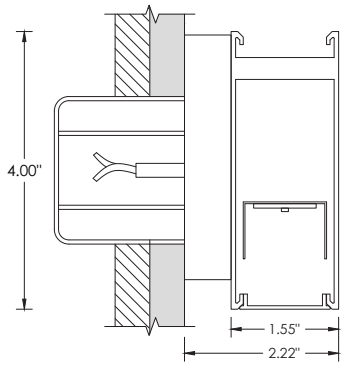
PATTERNS

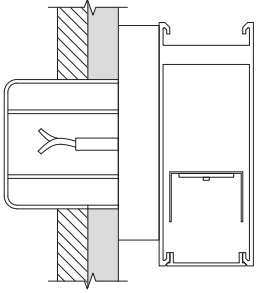
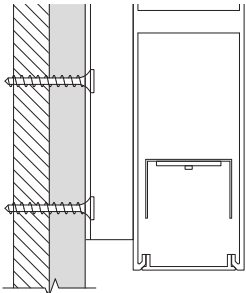
Specify pattern shape and overall dimensions as shown below
 Patterns are connected with fully illuminated 12"x12" L-shaped sections
 Please consult factory for custom patterns and shapes not shown below



| L-SHAPE | U-SHAPE |
|---|---|
| Provide dimensions of Ax B Example: L - 6'x8' | Provide dimensions of Ax BxC Example: U - 8'x10'x6" |
|  |  |

MOUNTING DETAILS



| POWER FEED | NON POWER FEED |
|--|---|
| <p>2" x 4" SLOTTED JUNCTION BOX (BY OTHERS)</p>  | <p>MOUNTING SCREWS (BY OTHERS)</p>  |

