

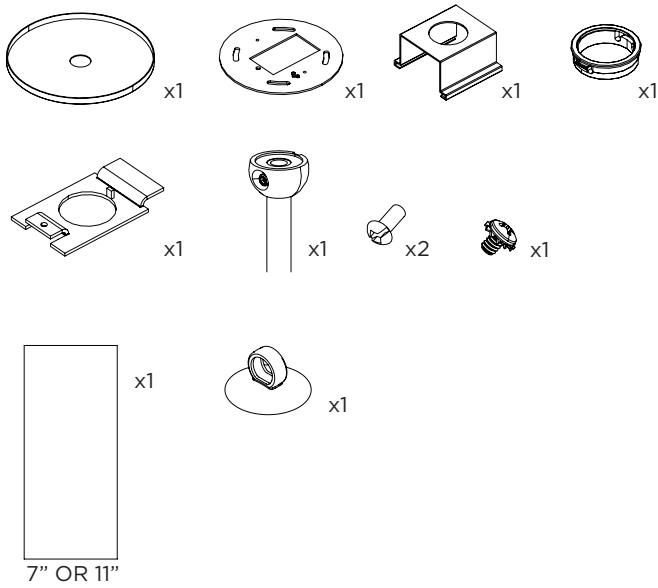
## 3.3" DOWNLIGHT CYLINDER - PENDANT

STEM PENDANT MOUNT

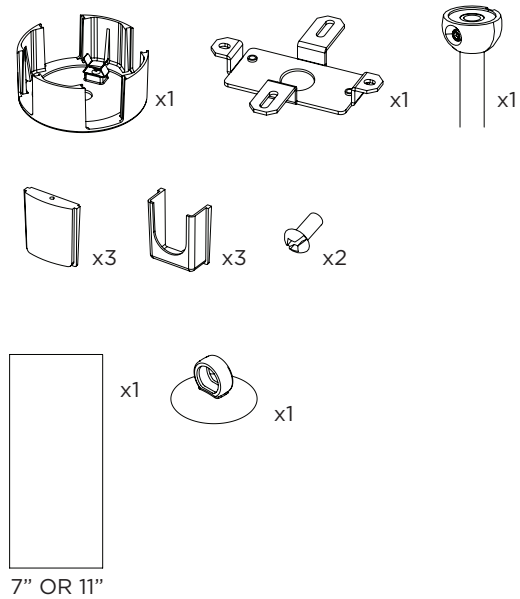


### COMPONENTS

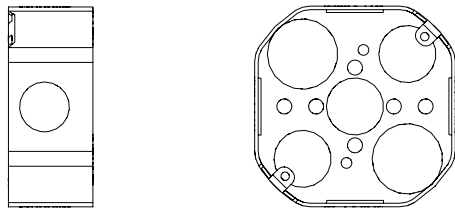
#### STANDARD CANOPY



#### CONDUIT FEED CANOPY

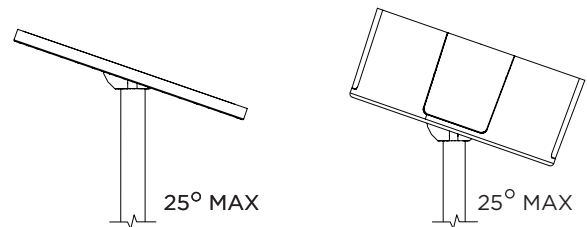


#### 4" OCTAGONAL J-BOX REQUIRED FOR INSTALLATION



JUNCTION BOX (BY OTHERS)

#### SUITABLE FOR SLOPED CEILING

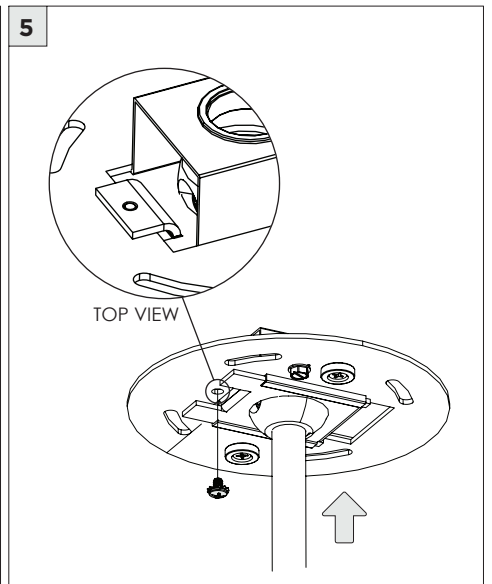
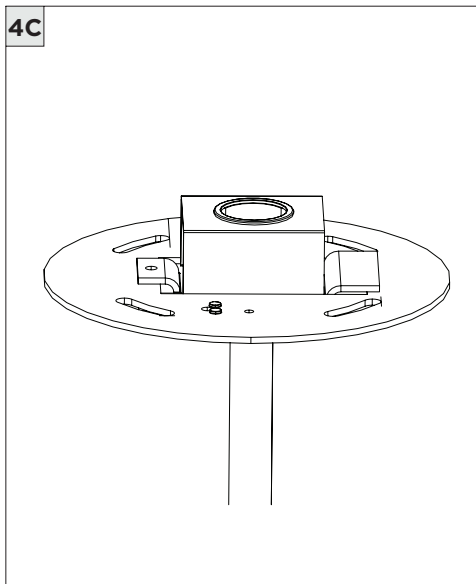
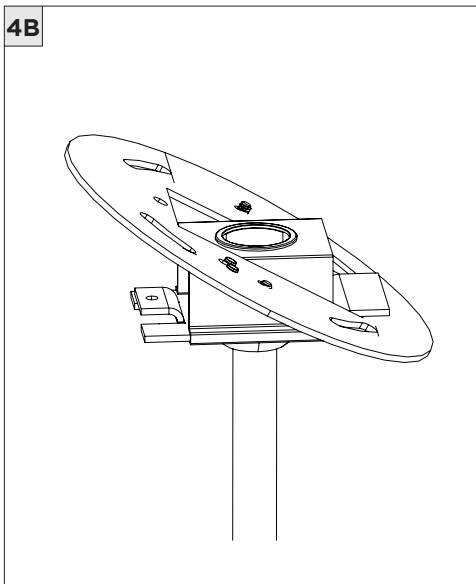
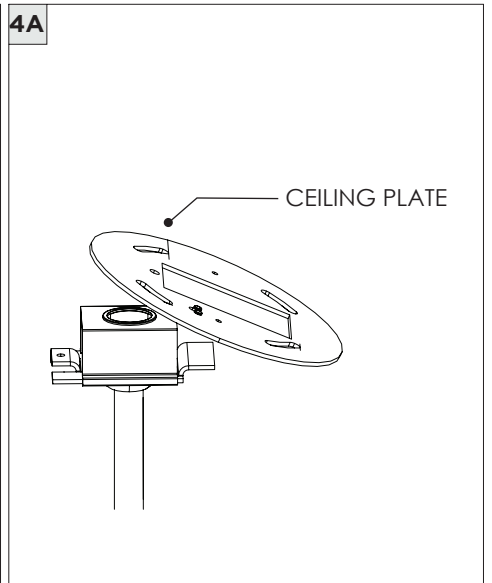
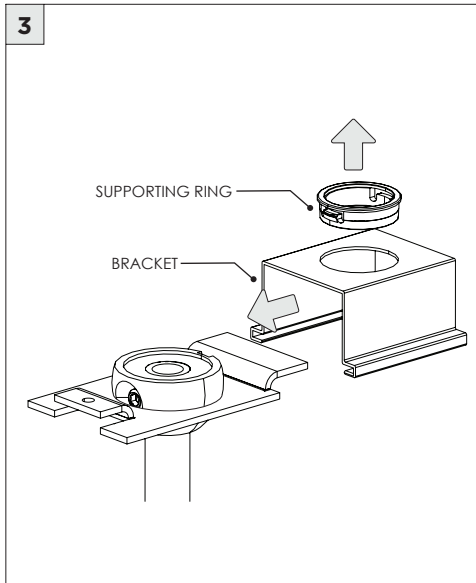
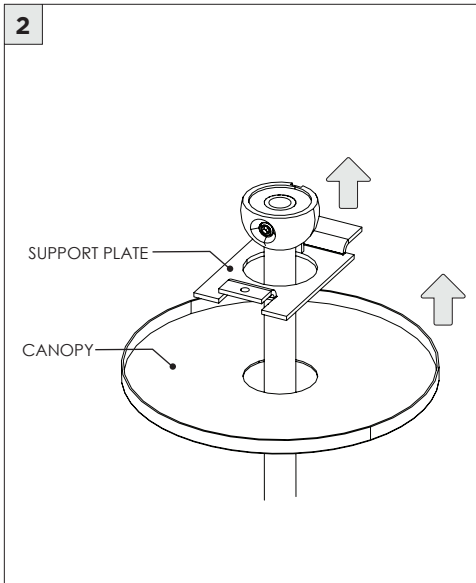
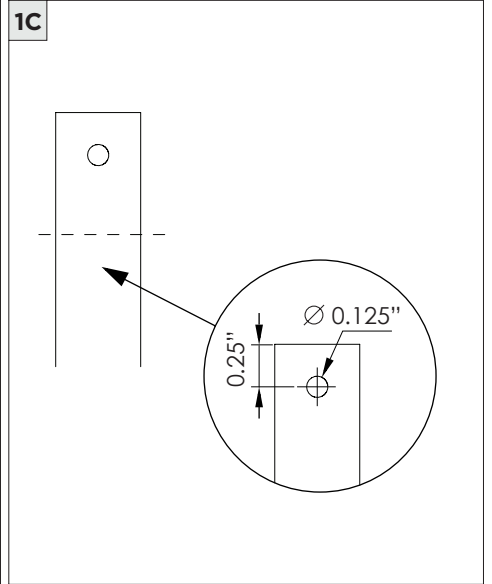
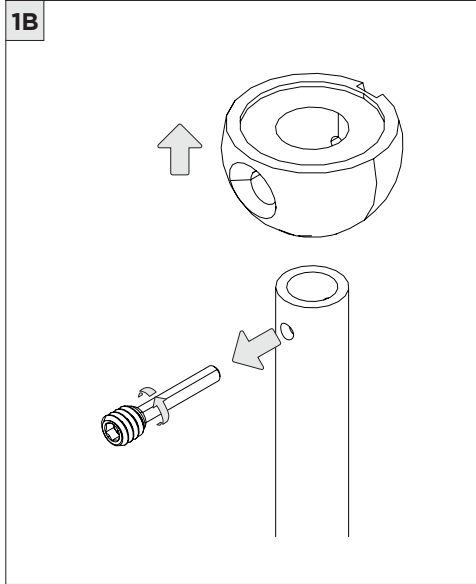
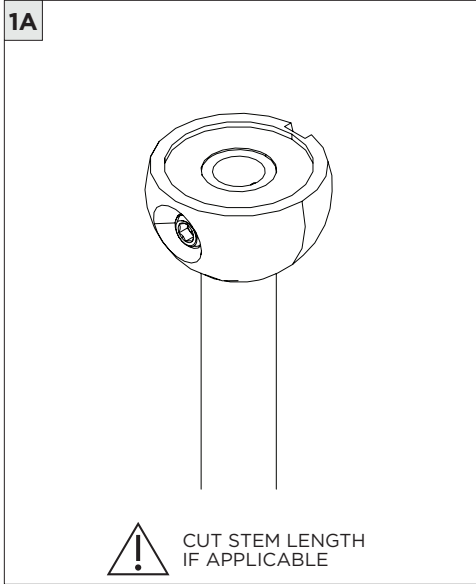


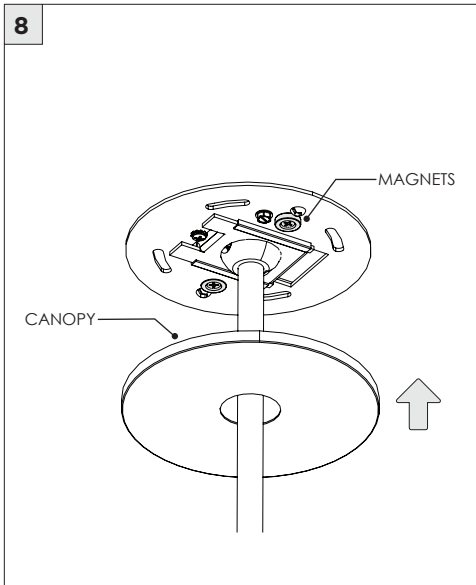
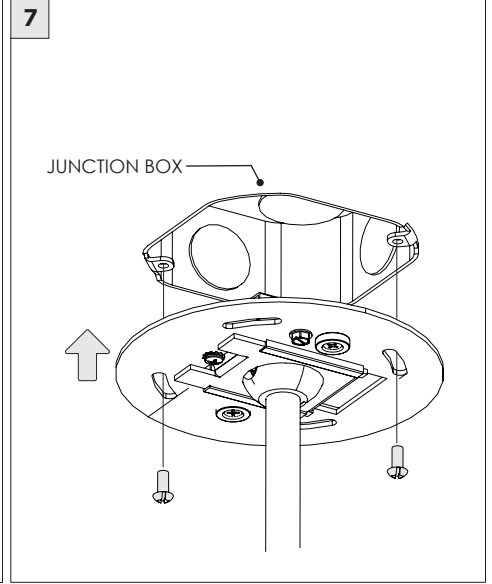
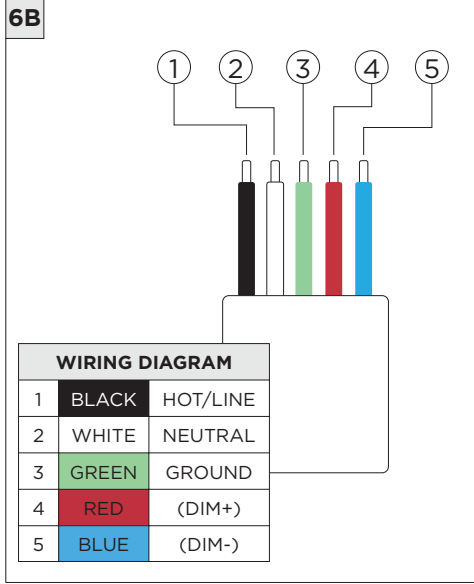
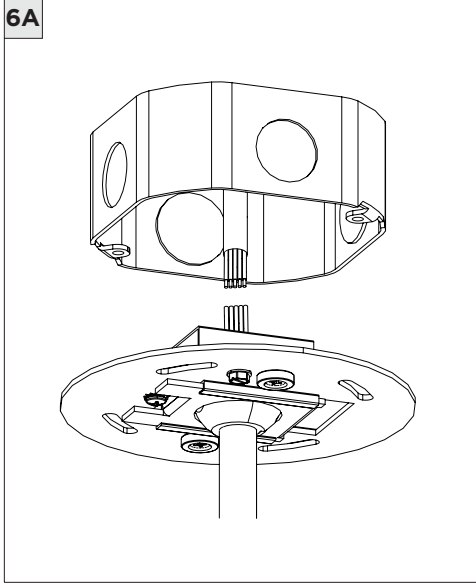
#### INSTRUCTION KEY

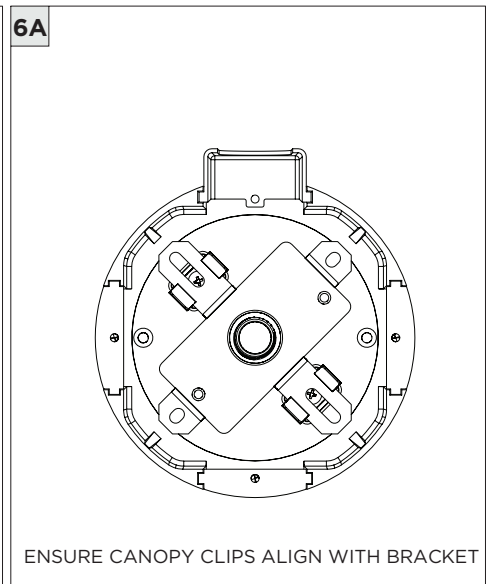
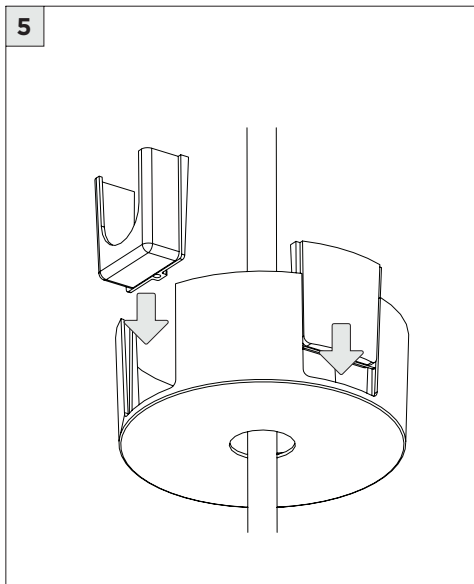
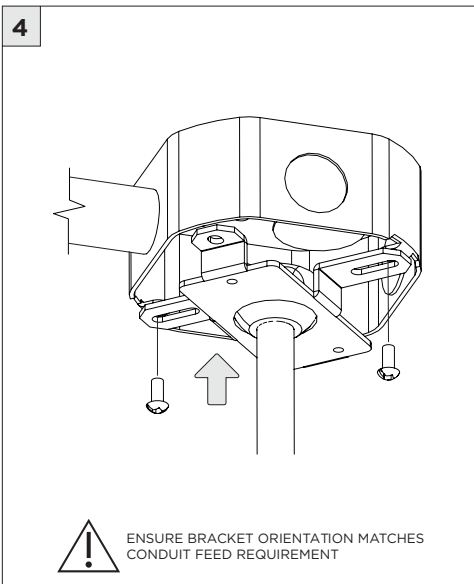
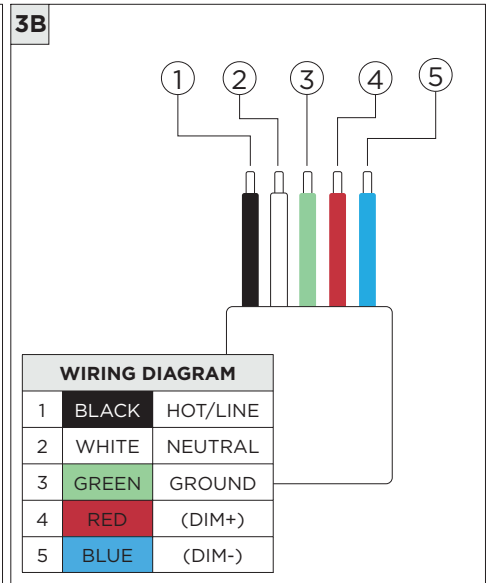
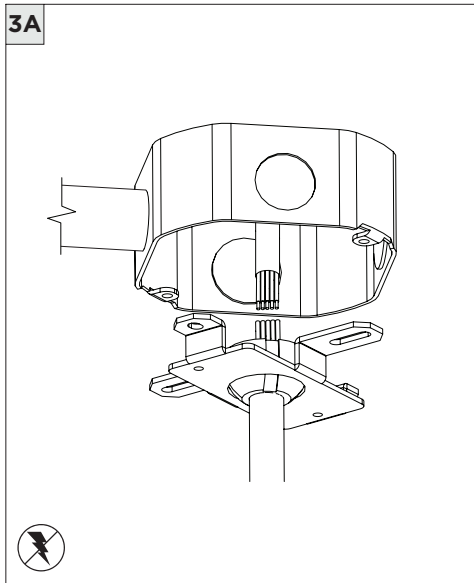
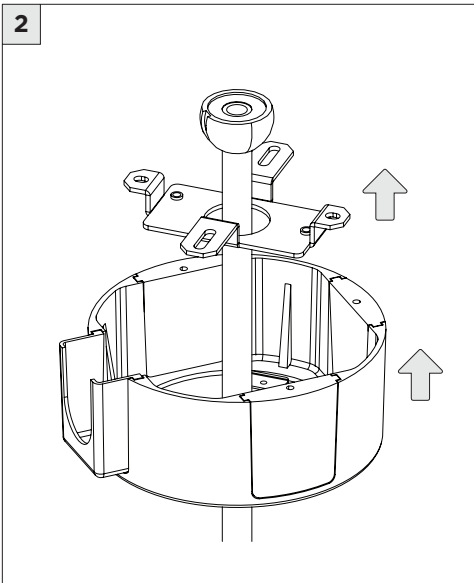
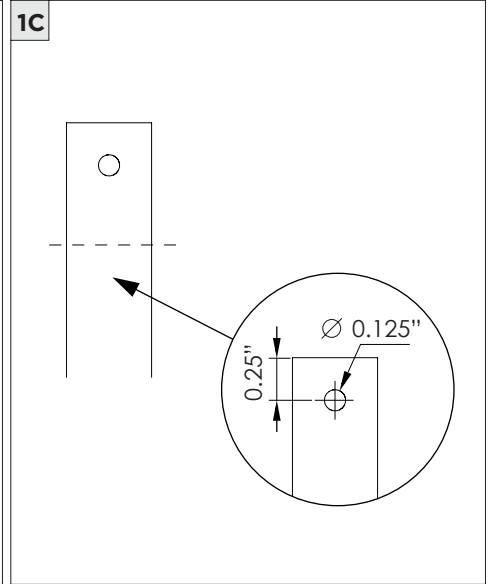
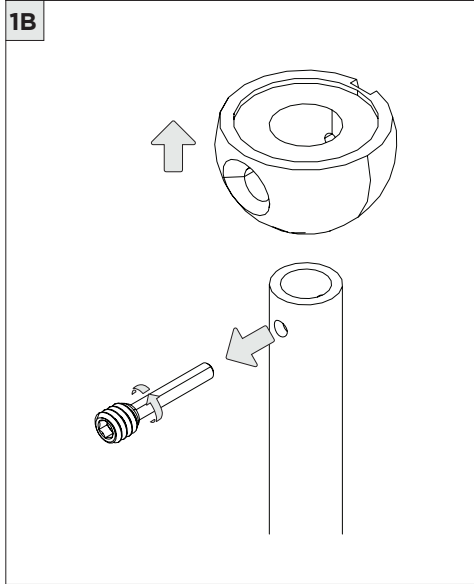
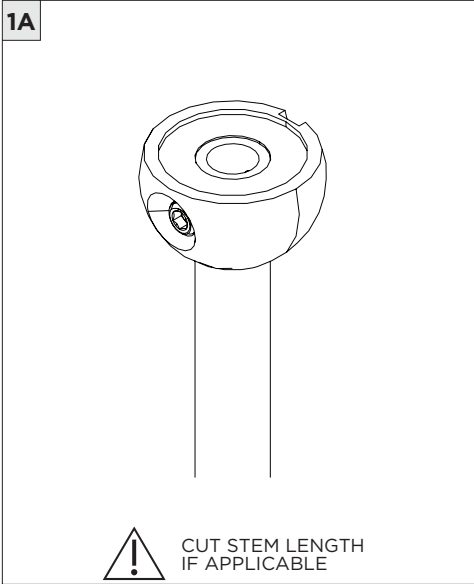
#### INFORMATION

- ADDITIONAL
- ATTENTION
- POWER ON
- POWER OFF

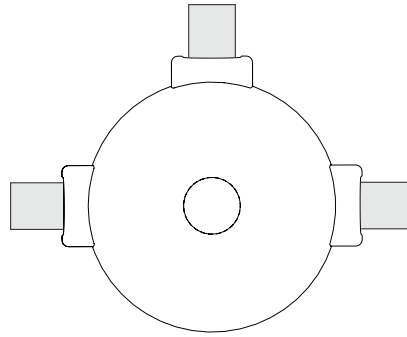
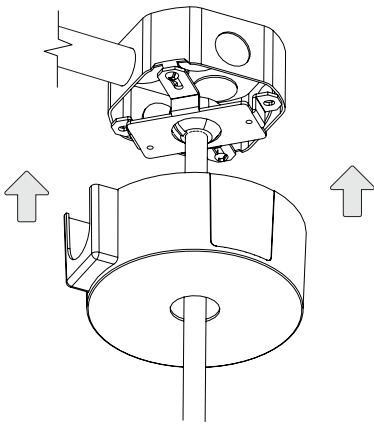
INSTALLATION SHOULD ONLY BE PERFORMED BY A CERTIFIED ELECTRICIAN  
 REFER TO LOCAL/NATIONAL CODES FOR PROPER INSTALLATION  
 FAILURE TO FOLLOW INSTALLATION INSTRUCTION MAY VOID THE WARRANTY  
 DO NOT TOUCH LEDS. LEDS MUST BE PROTECTED FROM MECHANICAL STRESS OR DEBRIS  
 TURN OFF POWER DURING INSTALLATION OR SERVICING



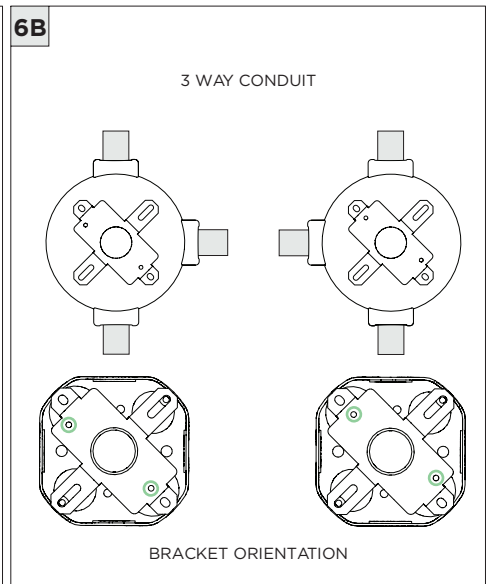
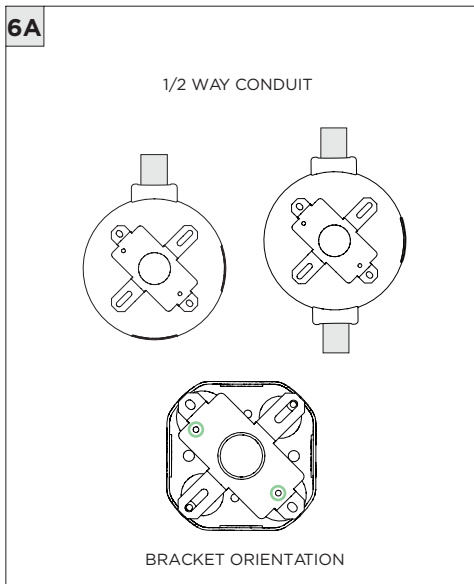
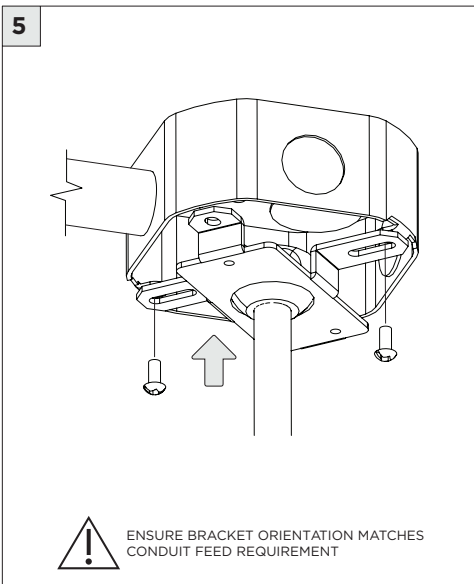
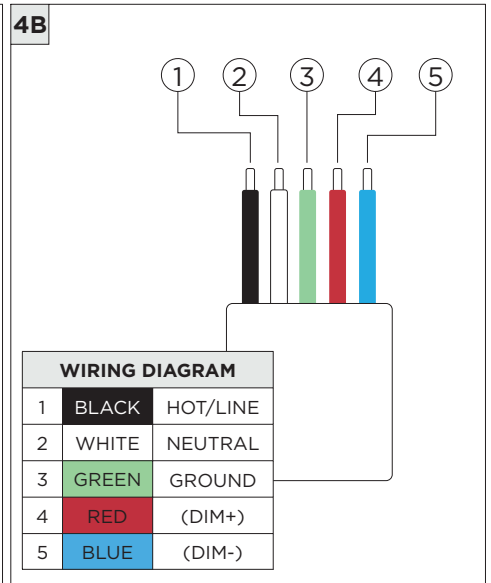
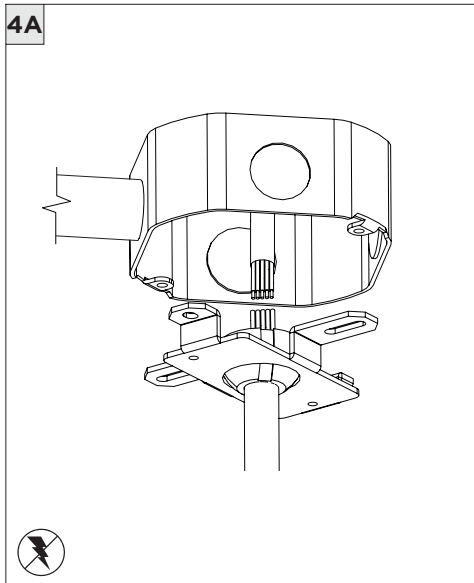
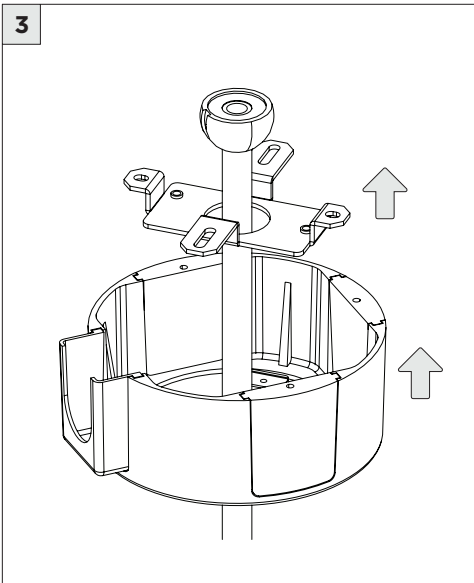
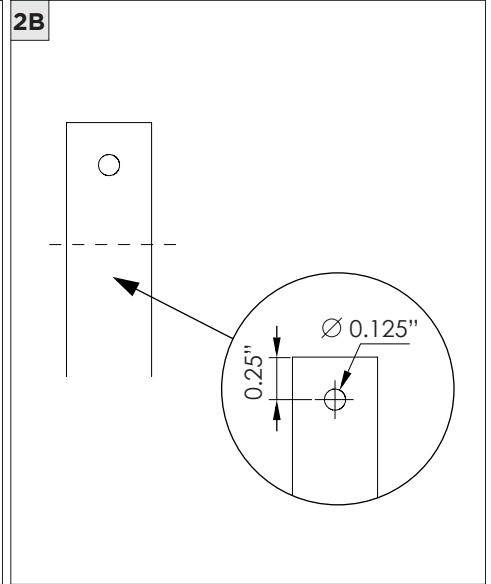
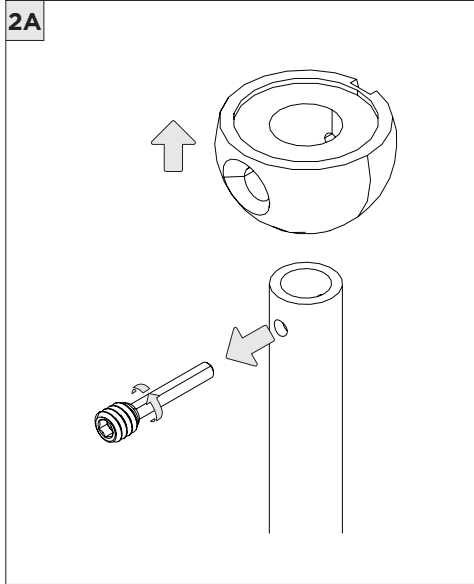
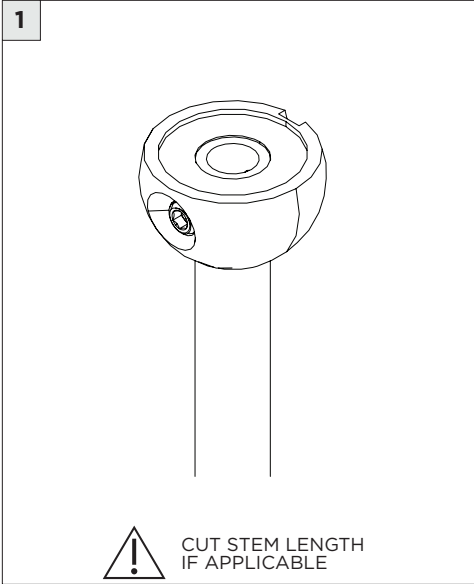




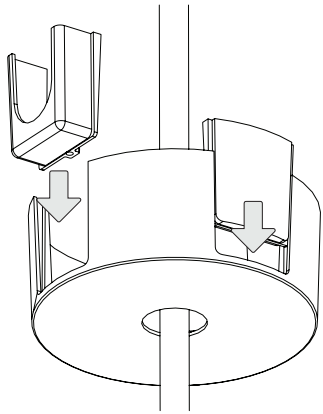
6B



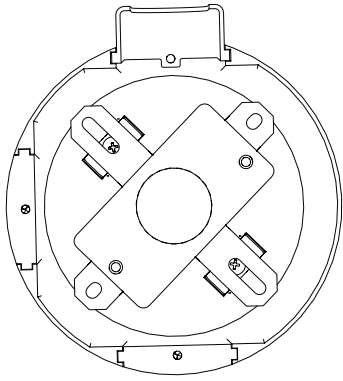
CANOPY IS SUITABLE FOR  
MAXIMUM 3 CONDUIT FEEDS



7

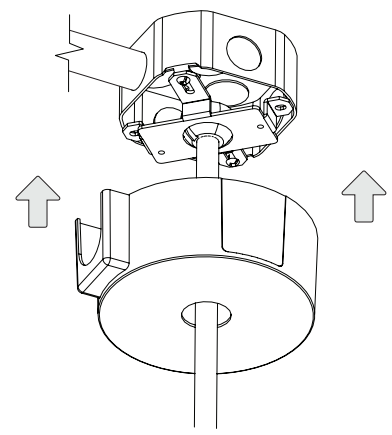


8



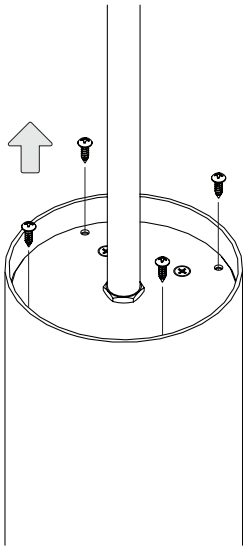
ENSURE CANOPY CLIPS ALIGN WITH BRACKET

9

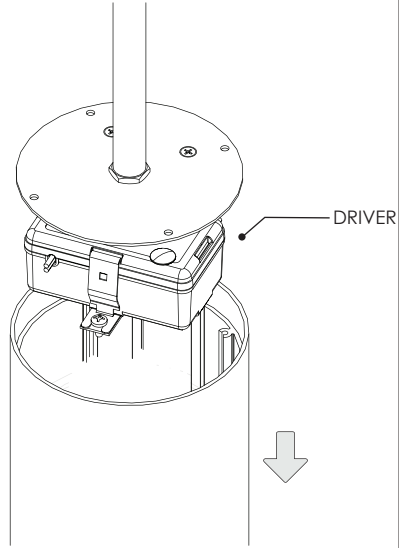


**DRIVER SERVICING**

1

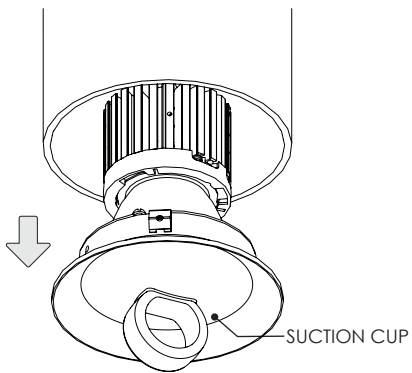


2



**LED SERVICING**

1



DISCONNECT LED WIRES AND REMOVE LED INSERT

2

