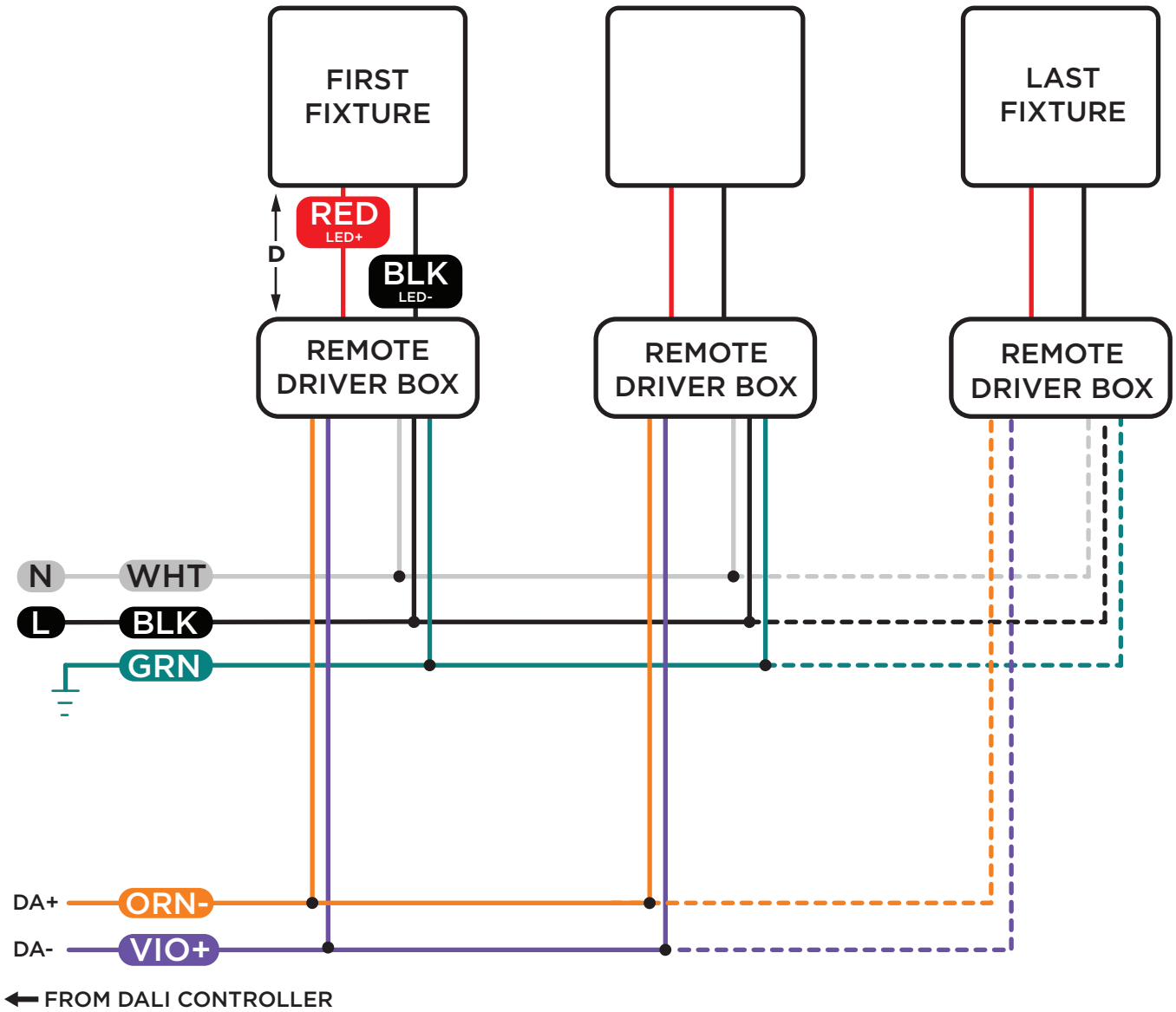


NOTES:

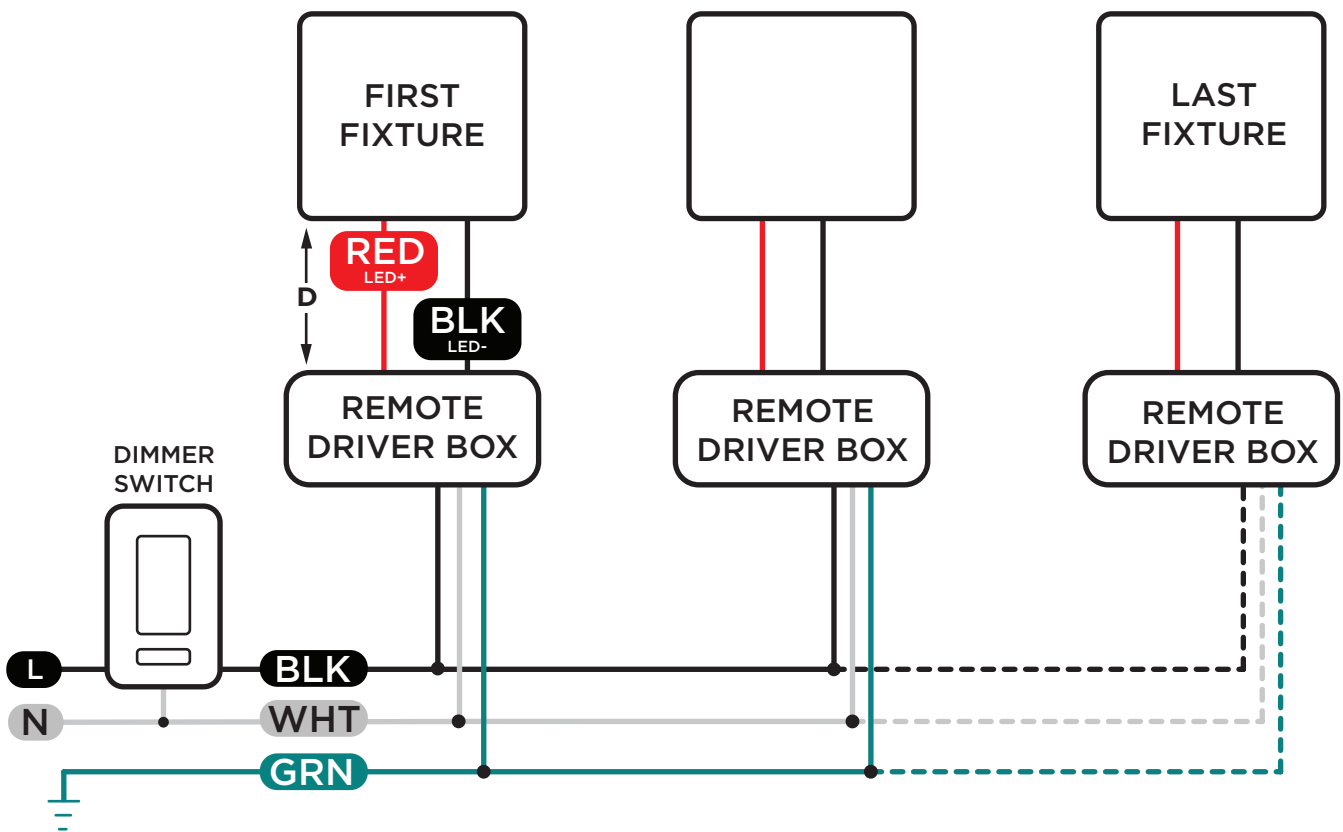
Max Remote Driver Distance - D
12AWG - 100ft
14AWG - 50ft



NOTES:

Switched Hot Wire - RED WIRE

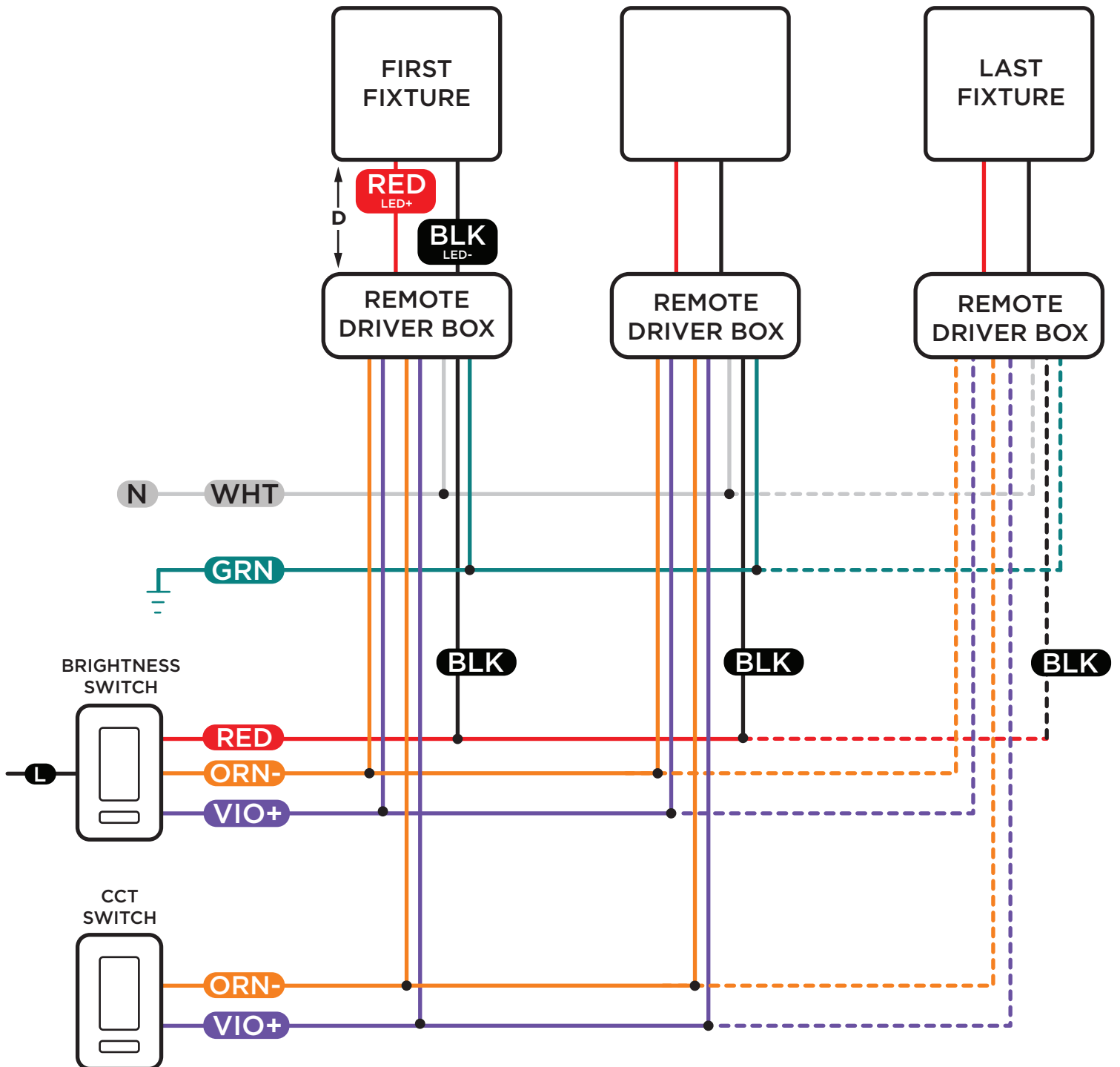
Max Remote Driver Distance - D
12AWG - 100ft
14AWG - 50ft



NOTES:

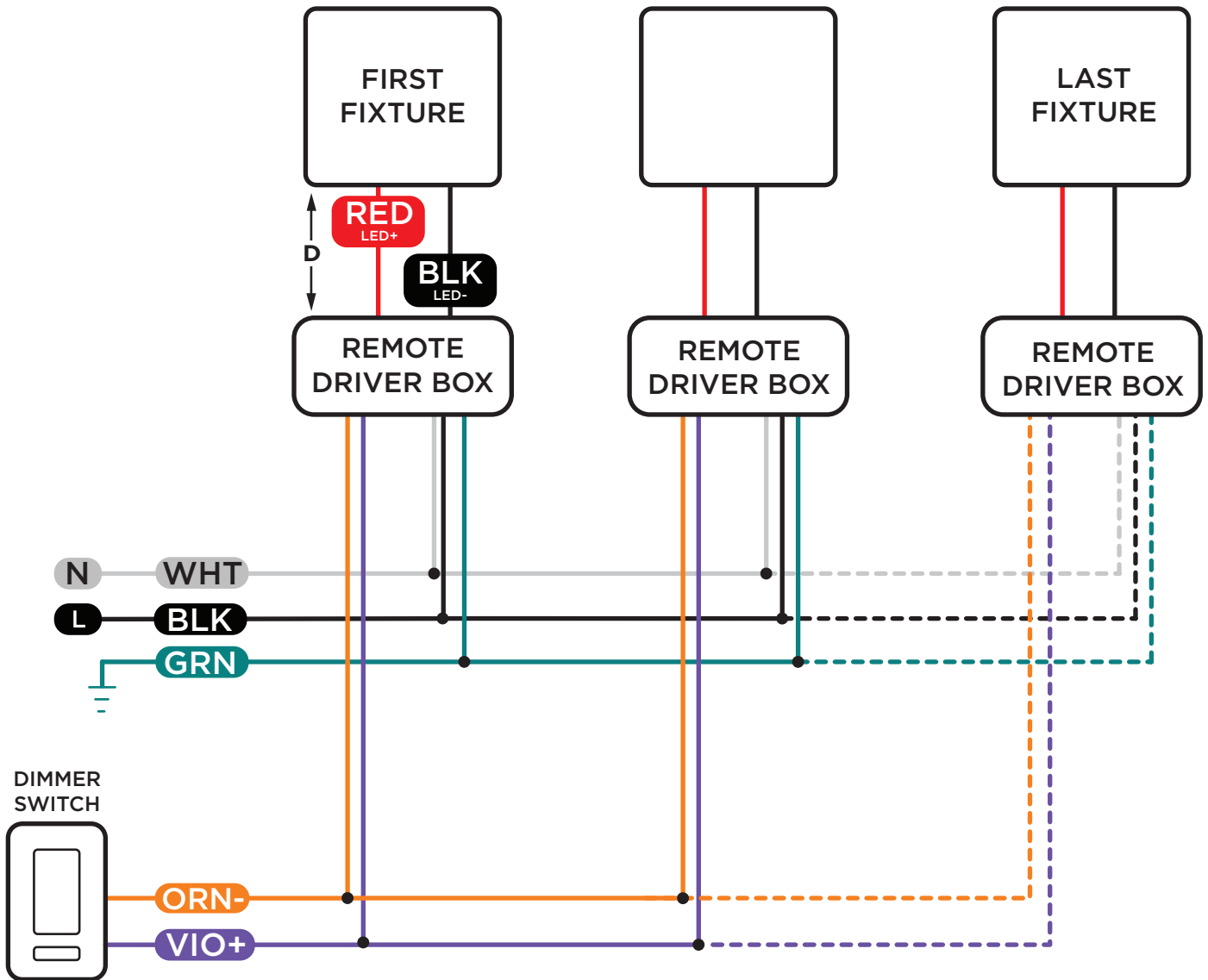
Switched Hot Wire - RED WIRE

Max Remote Driver Distance - D
12AWG - 100ft
14AWG - 50ft



NOTES:

Max Remote Driver Distance - D
12AWG - 100ft
14AWG - 50ft



NOTES:

Termination Resistor - R
Typically 120 Ohms

Stub Length - S
Cannot exceed 300mm

Max Remote Driver Distance - D
12AWG - 100ft
14AWG - 50ft

