

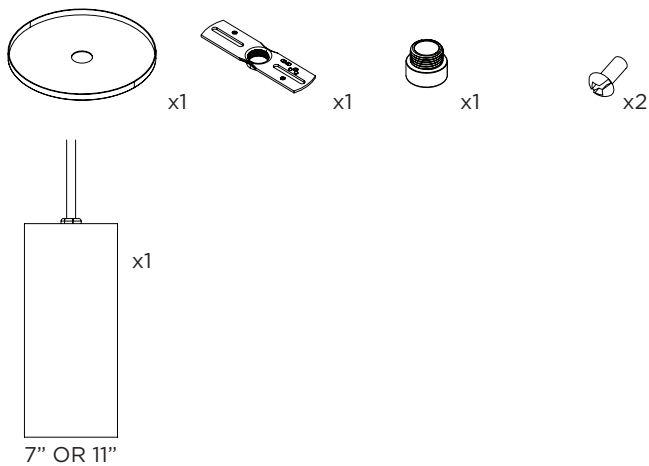
## 3.3" DOWNLIGHT CYLINDER DEEP REGRESS PENDANT

CABLE PENDANT MOUNT

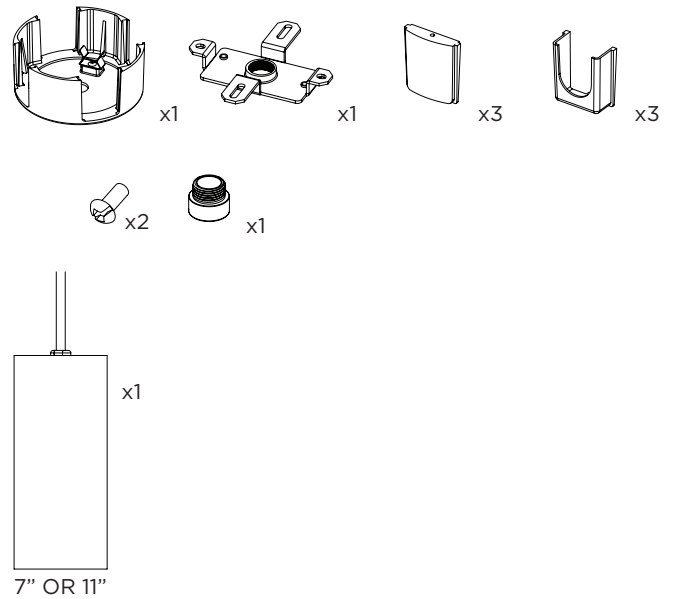


### COMPONENTS

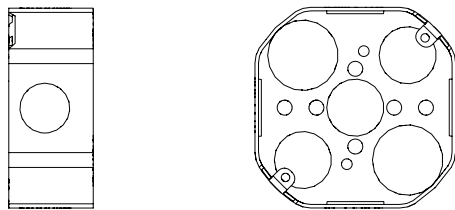
#### STANDARD CANOPY



#### CONDUIT FEED CANOPY



#### 4" OCTAGONAL J-BOX REQUIRED FOR INSTALLATION



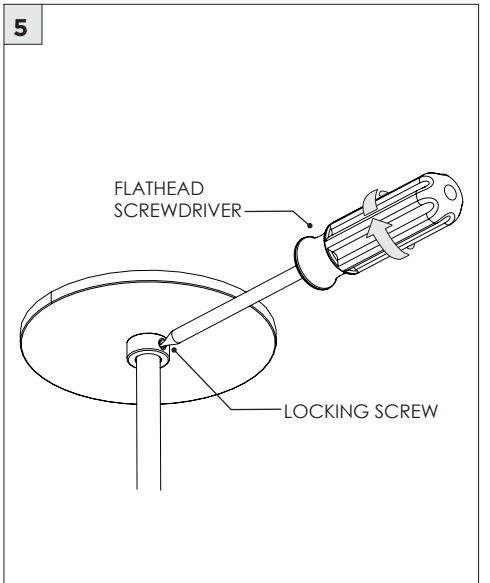
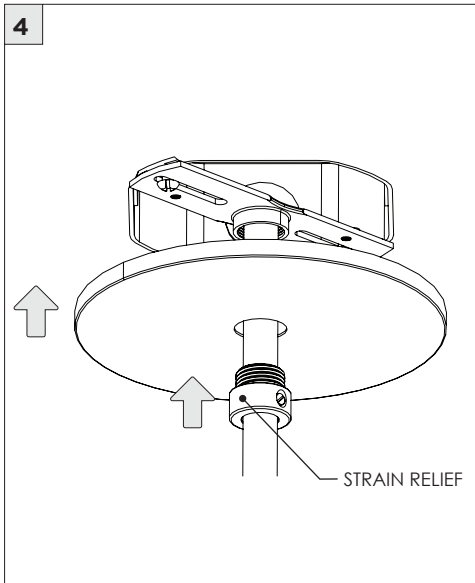
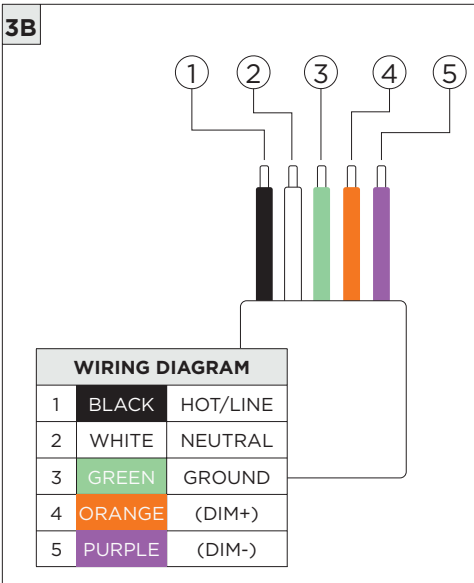
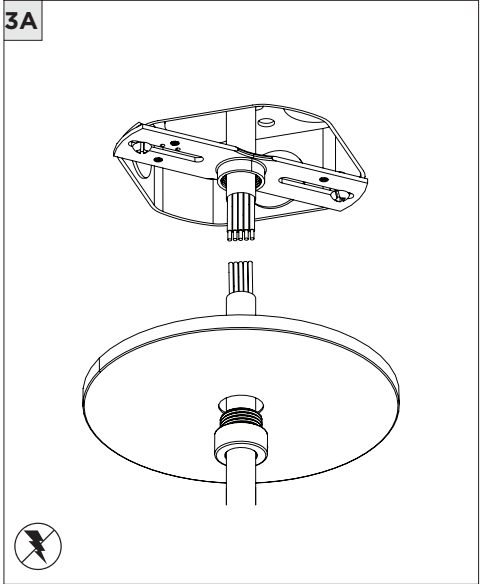
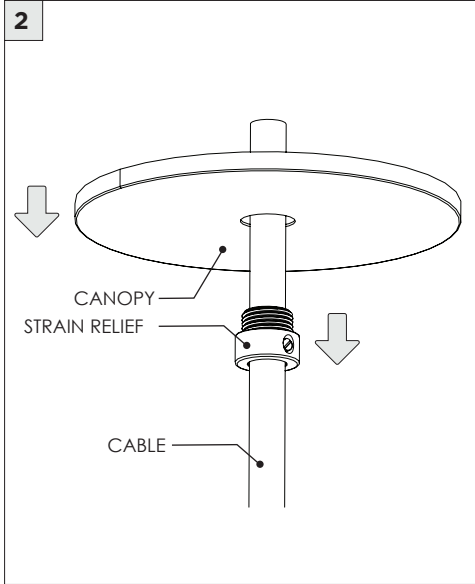
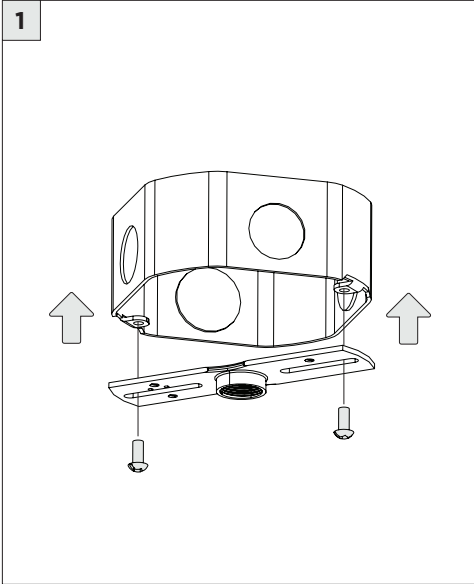
JUNCTION BOX (BY OTHERS)

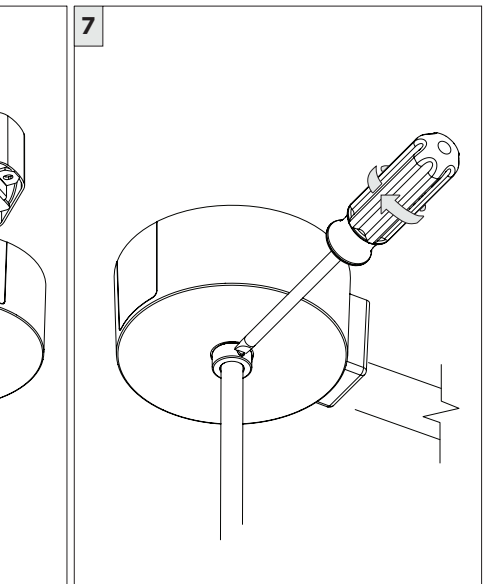
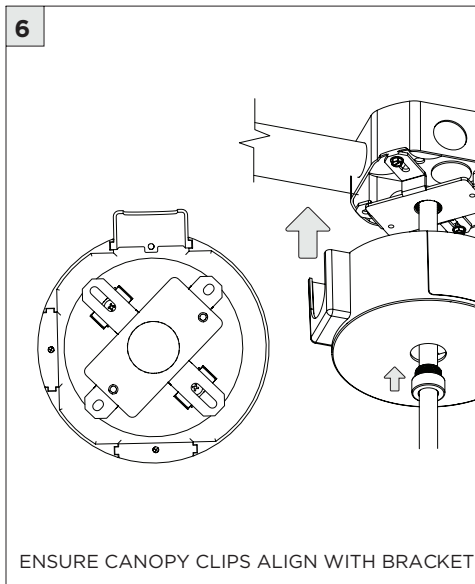
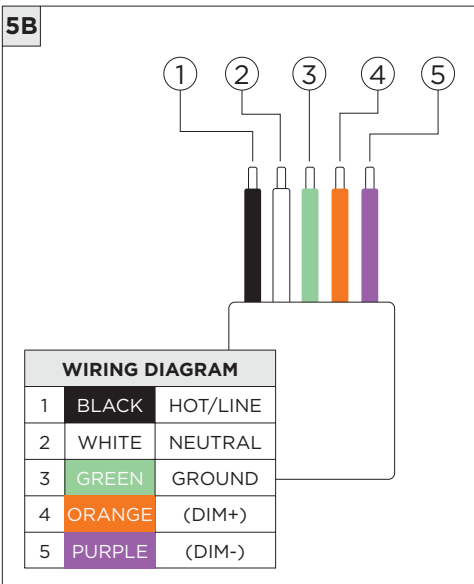
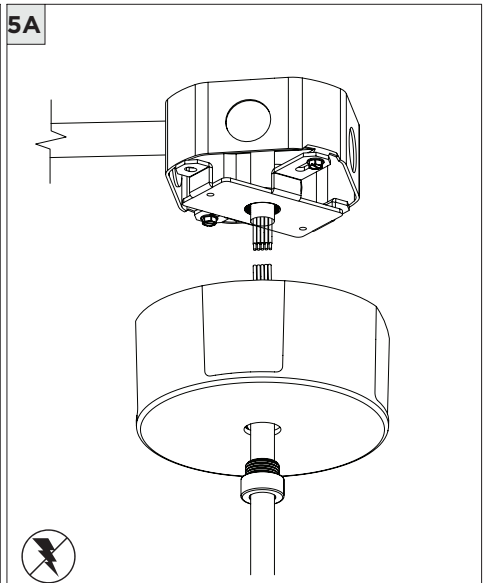
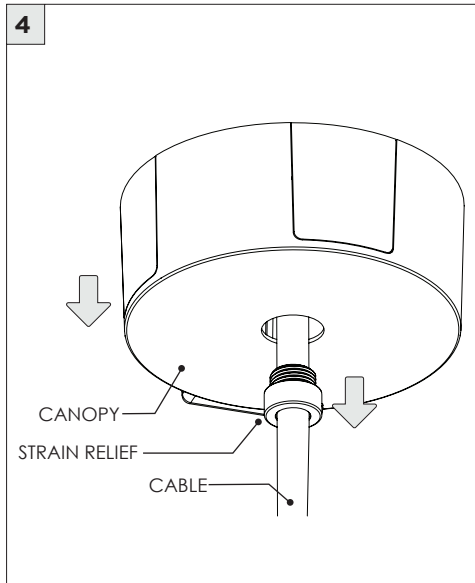
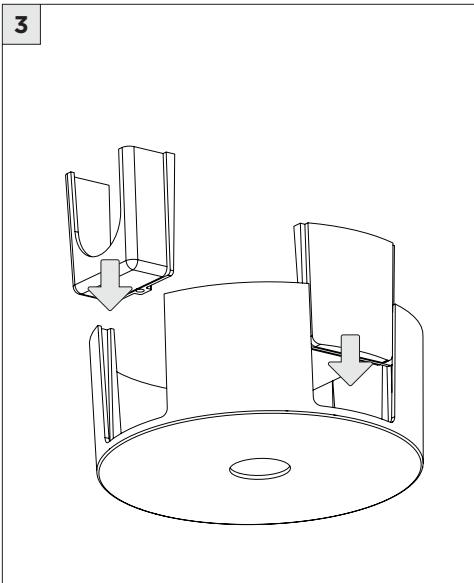
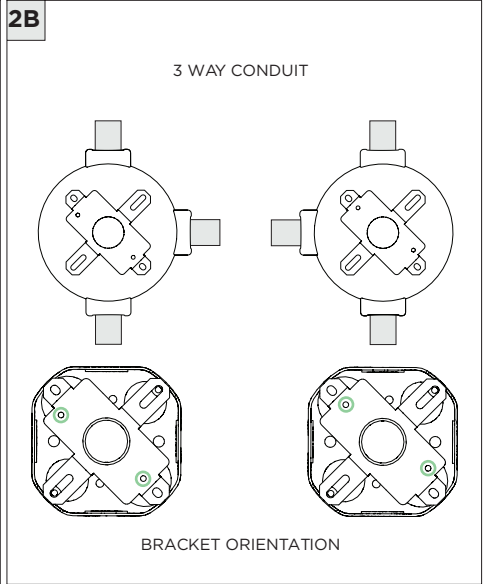
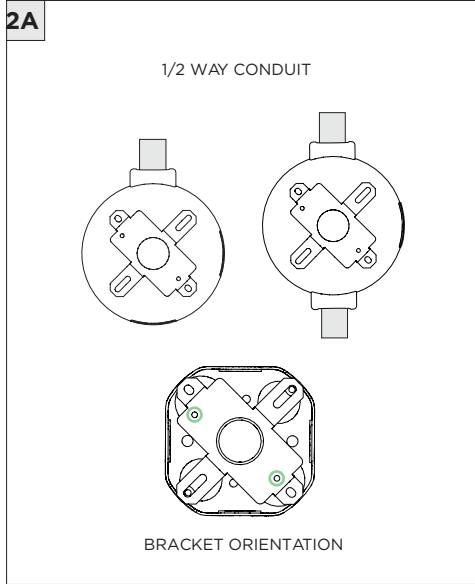
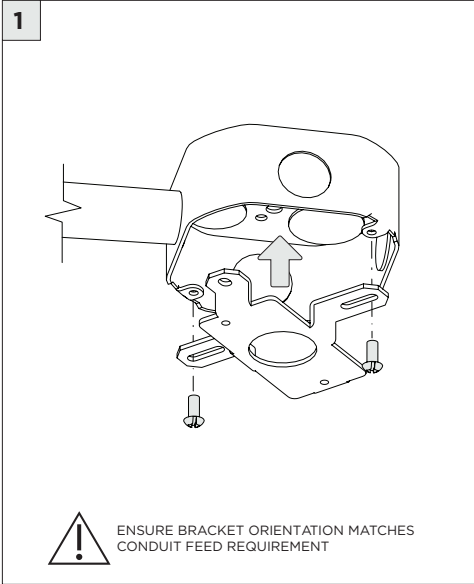
#### INSTRUCTION KEY

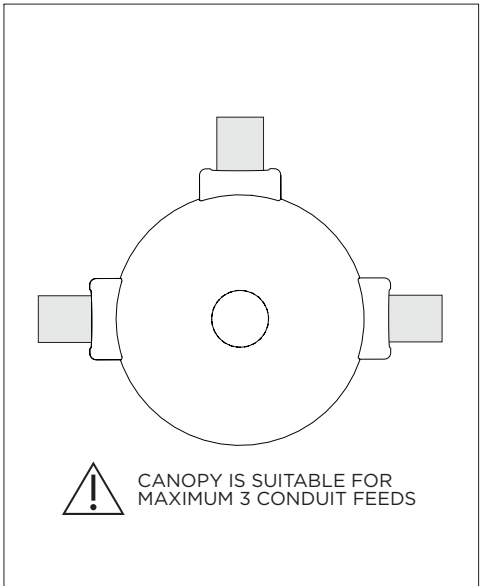
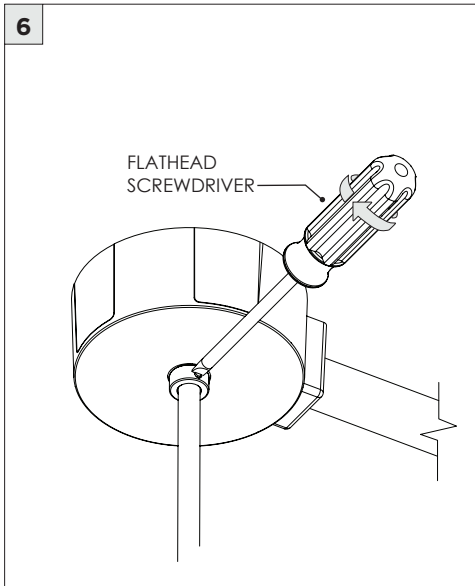
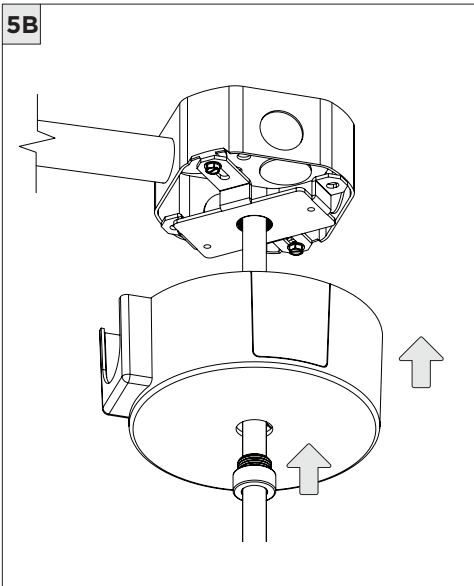
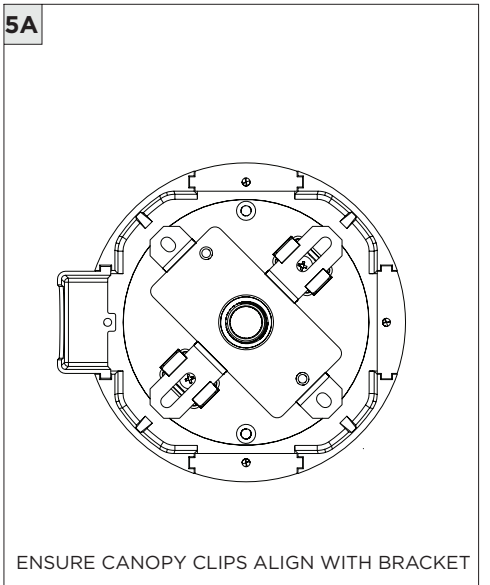
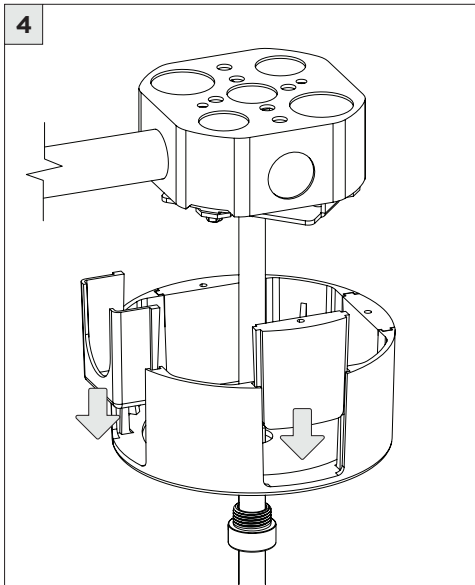
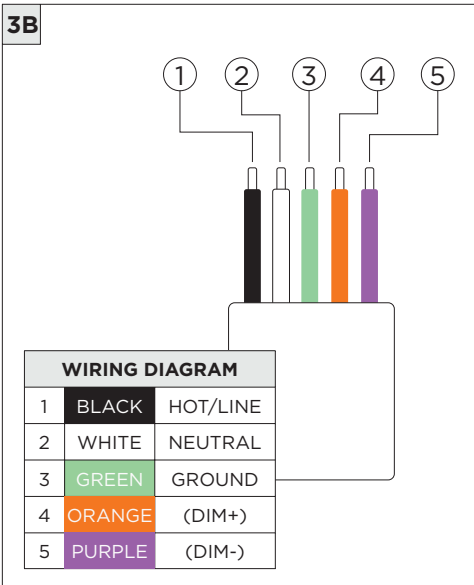
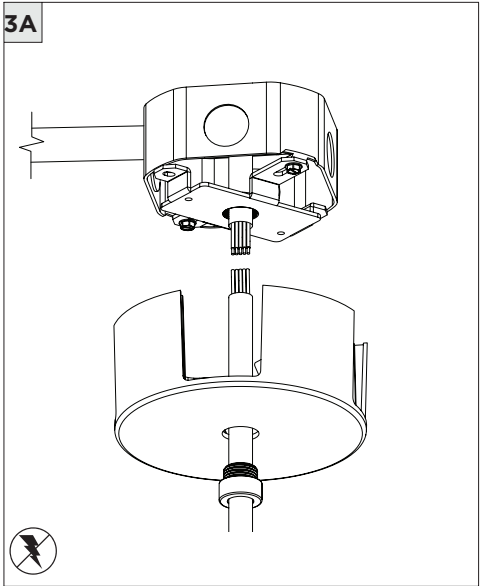
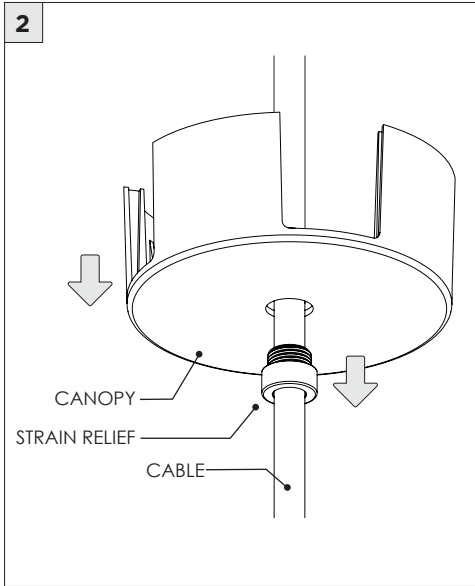
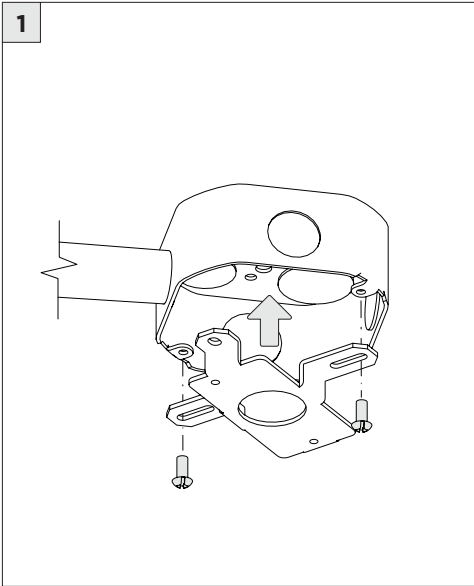
#### INFORMATION

- ADDITIONAL
- ATTENTION
- POWER ON
- POWER OFF

INSTALLATION SHOULD ONLY BE PERFORMED BY A CERTIFIED ELECTRICIAN  
 REFER TO LOCAL/NATIONAL CODES FOR PROPER INSTALLATION  
 FAILURE TO FOLLOW INSTALLATION INSTRUCTION MAY VOID THE WARRANTY  
 DO NOT TOUCH LEDS. LEDS MUST BE PROTECTED FROM MECHANICAL STRESS OR DEBRIS  
 TURN OFF POWER DURING INSTALLATION OR SERVICING

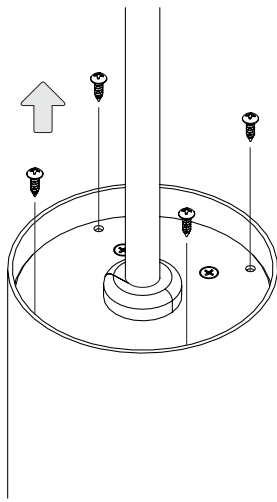




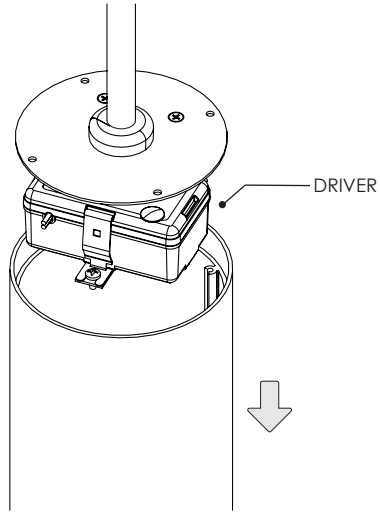


**DRIVER SERVICING**

1A

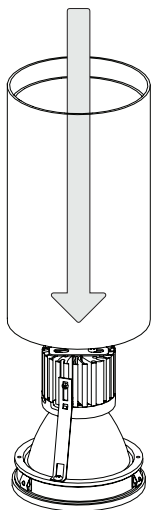


2



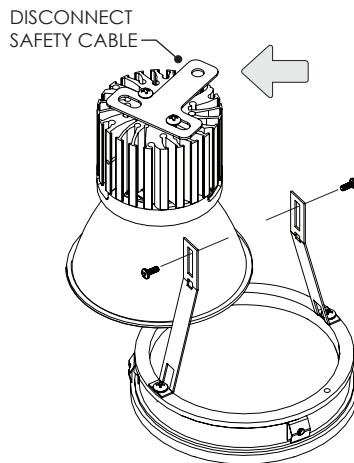
**LED SERVICING**

1



REPEAT DRIVER SERVICING STEPS  
DISCONNECT LED WIRES AND REMOVE LED INSERT

2



3

