

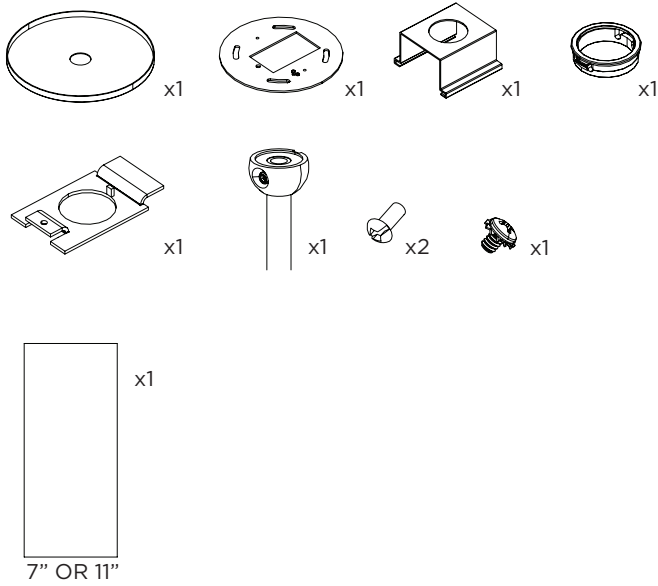
3.3" MICRO MADISON PENDANT

STEM PENDANT MOUNT

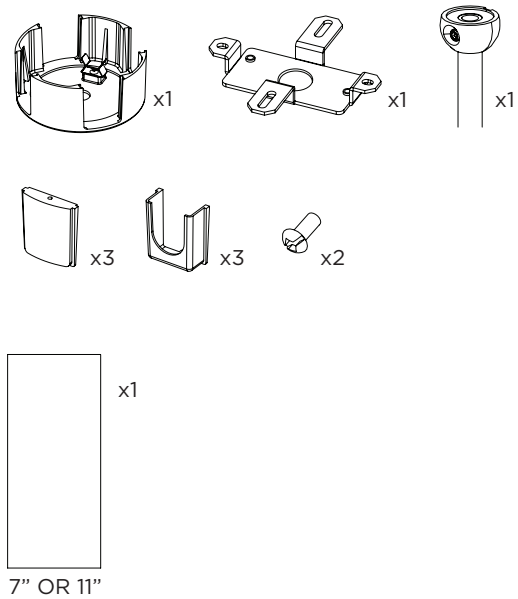


COMPONENTS

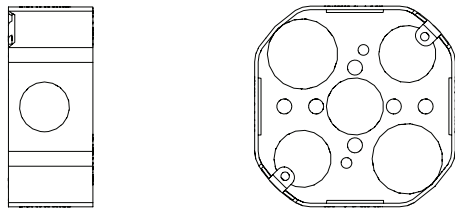
STANDARD CANOPY



CONDUIT FEED CANOPY

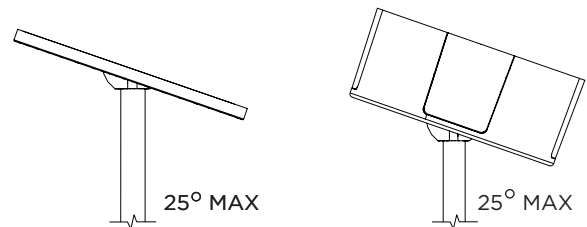


4" OCTAGONAL J-BOX REQUIRED FOR INSTALLATION



JUNCTION BOX (BY OTHERS)

SUITABLE FOR SLOPED CEILING

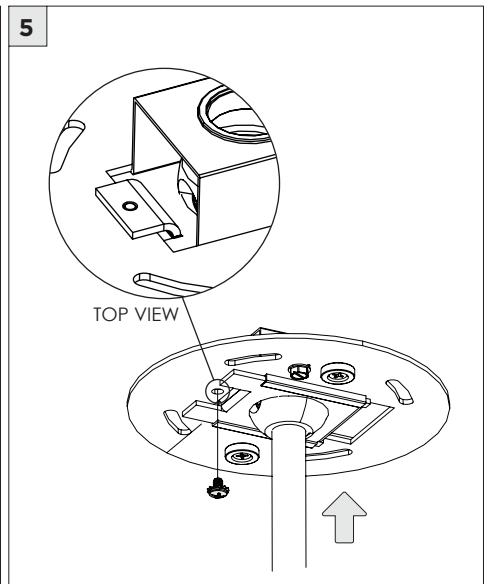
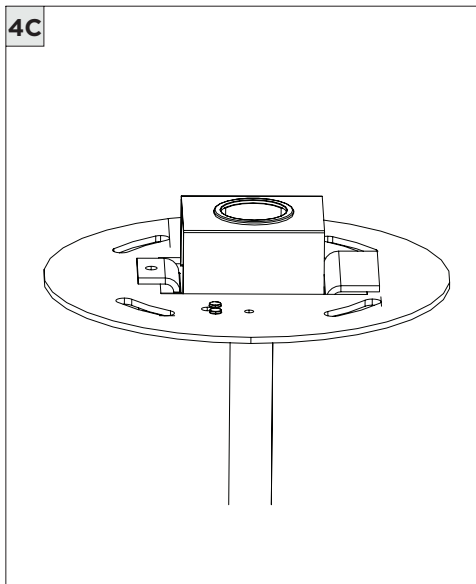
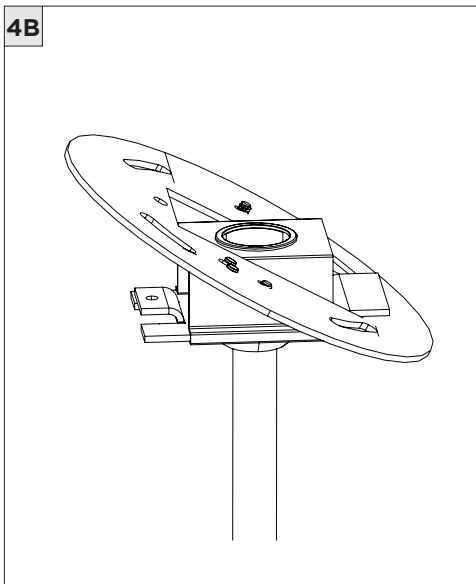
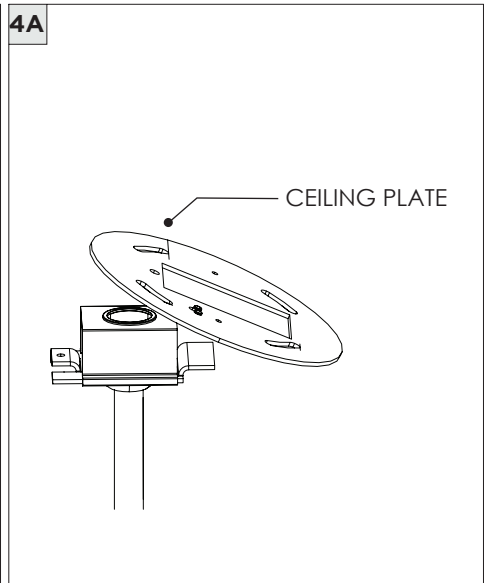
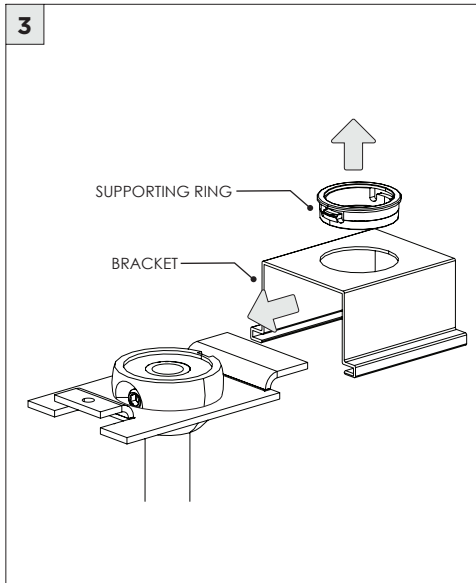
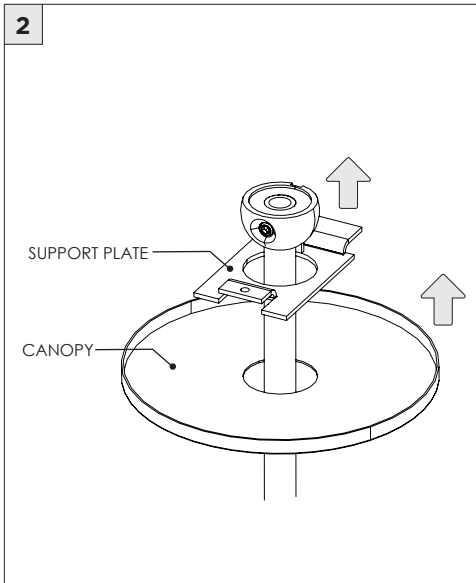
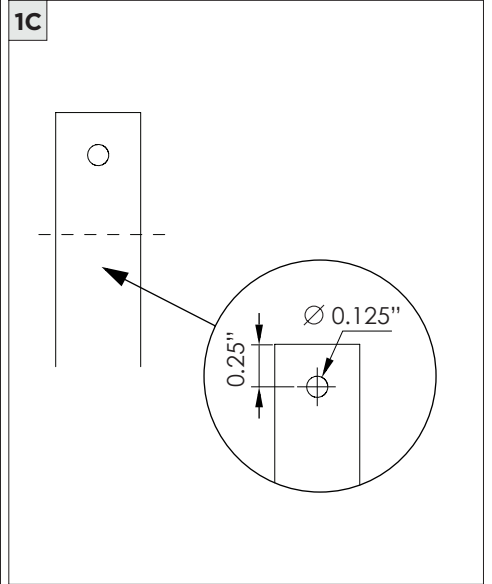
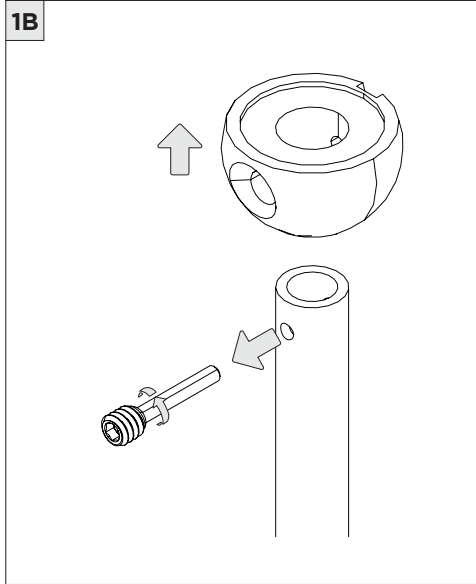
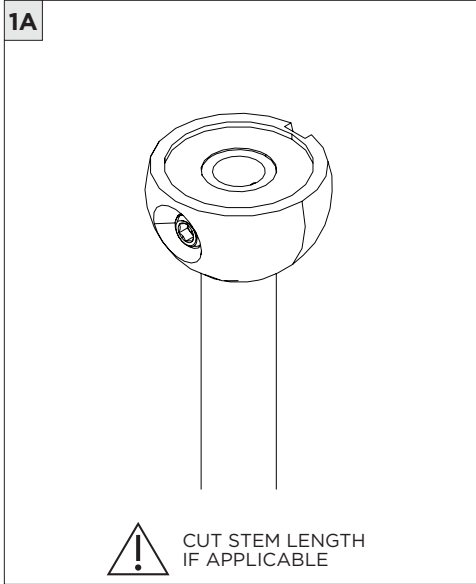


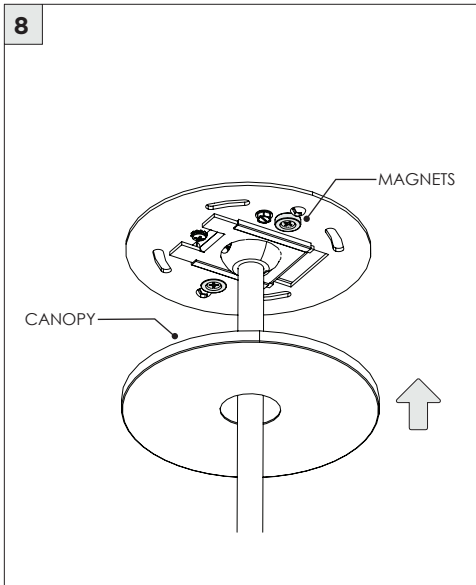
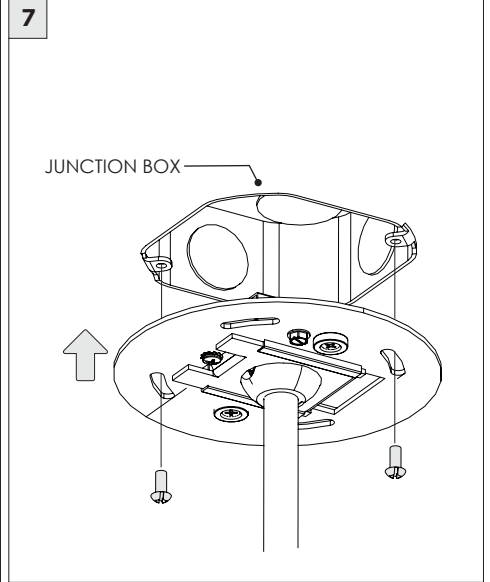
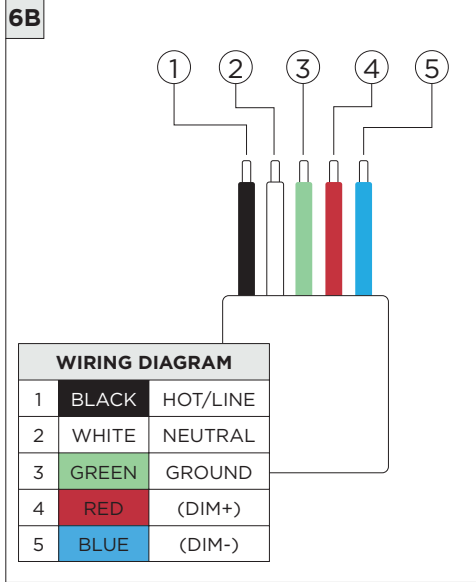
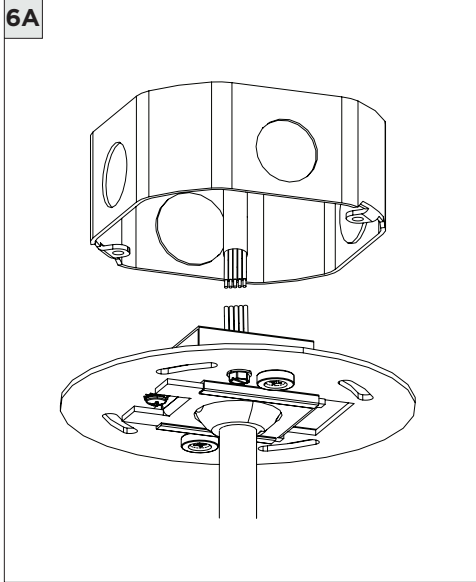
INSTRUCTION KEY

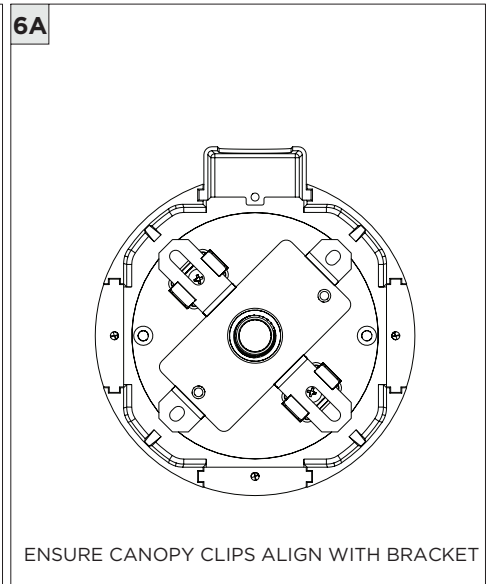
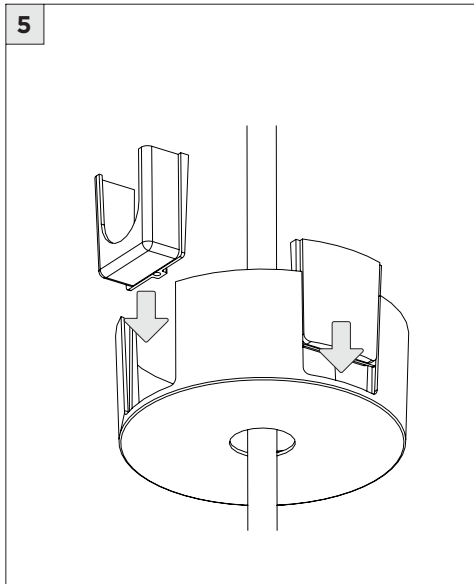
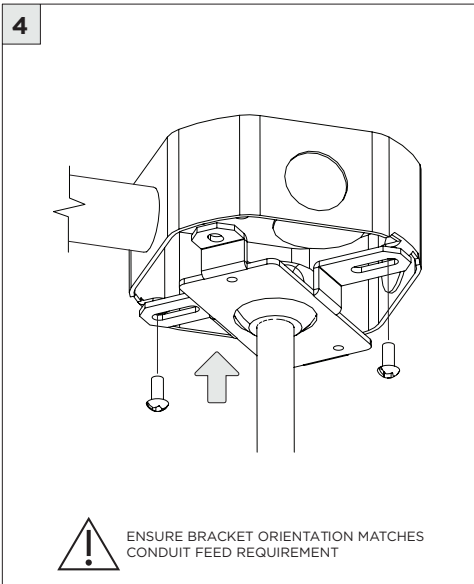
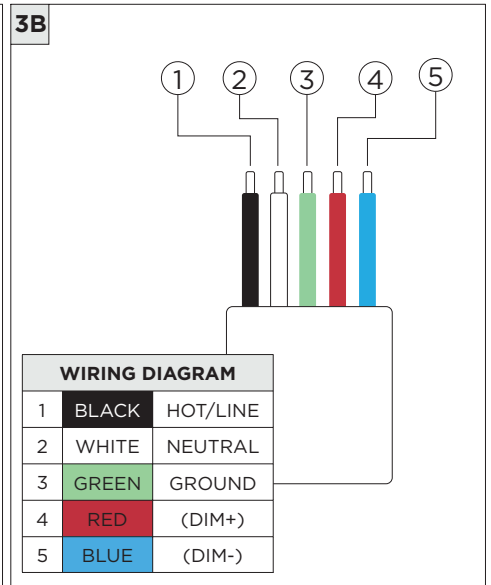
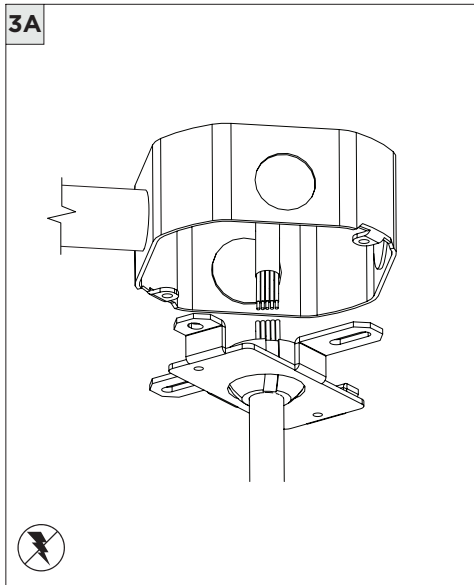
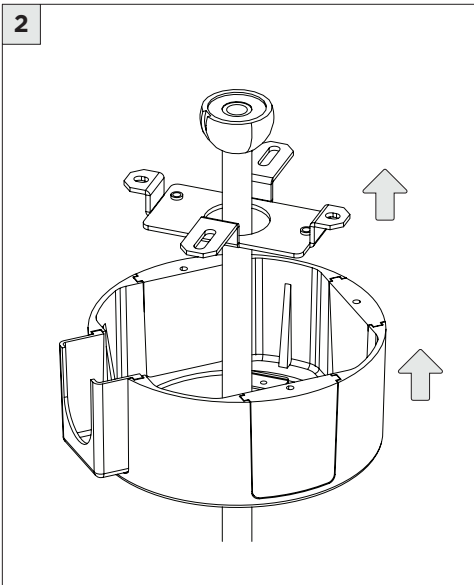
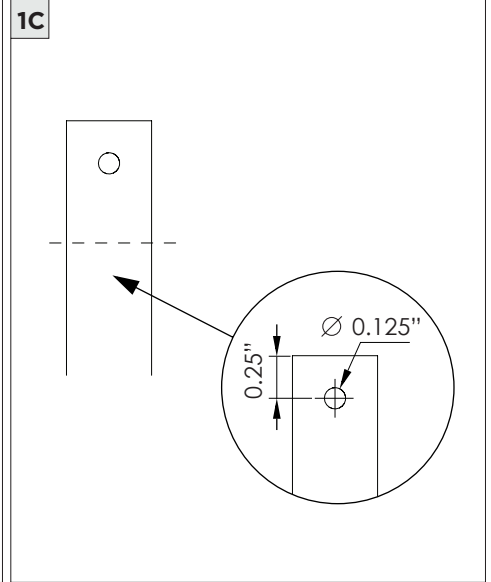
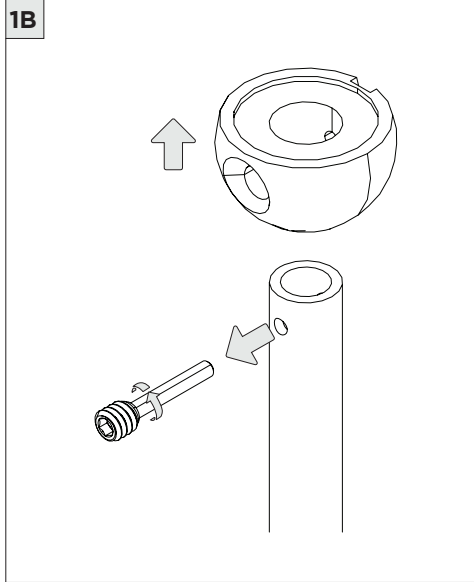
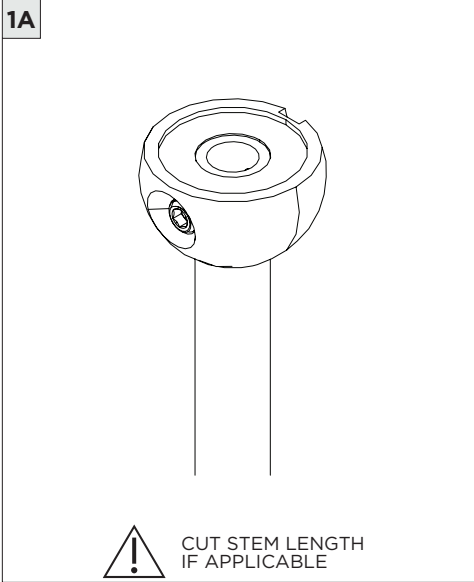
INFORMATION

- ADDITIONAL
- ATTENTION
- POWER ON
- POWER OFF

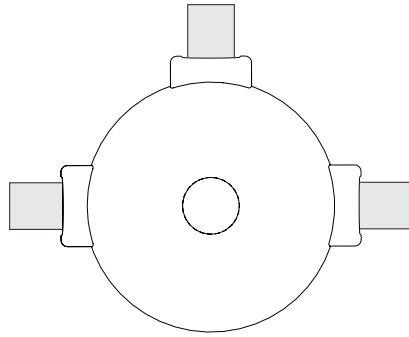
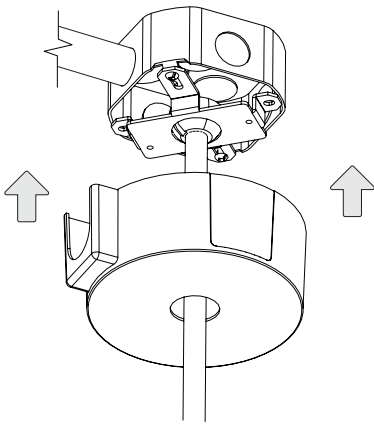
INSTALLATION SHOULD ONLY BE PERFORMED BY A CERTIFIED ELECTRICIAN
 REFER TO LOCAL/NATIONAL CODES FOR PROPER INSTALLATION
 FAILURE TO FOLLOW INSTALLATION INSTRUCTION MAY VOID THE WARRANTY
 DO NOT TOUCH LEDS. LEDS MUST BE PROTECTED FROM MECHANICAL STRESS OR DEBRIS
 TURN OFF POWER DURING INSTALLATION OR SERVICING



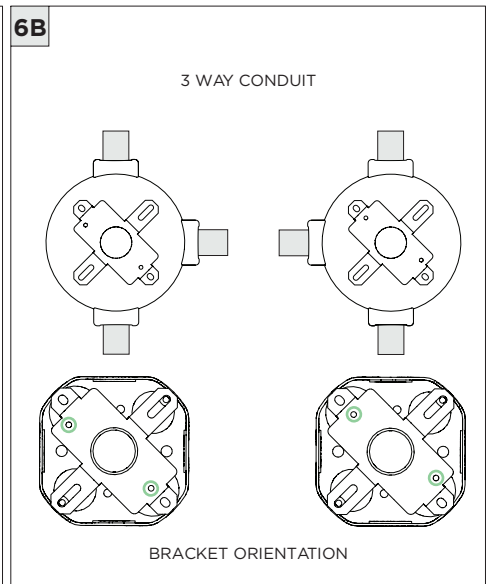
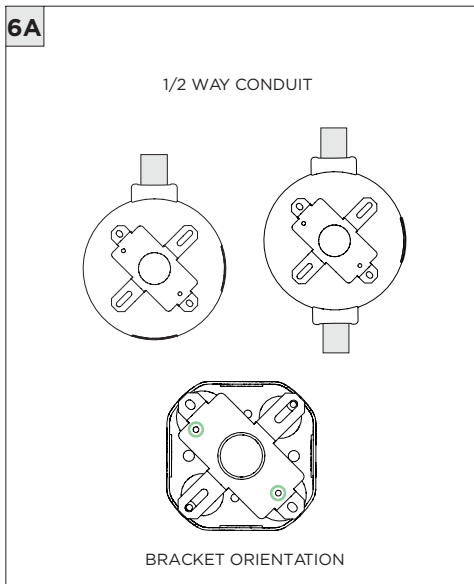
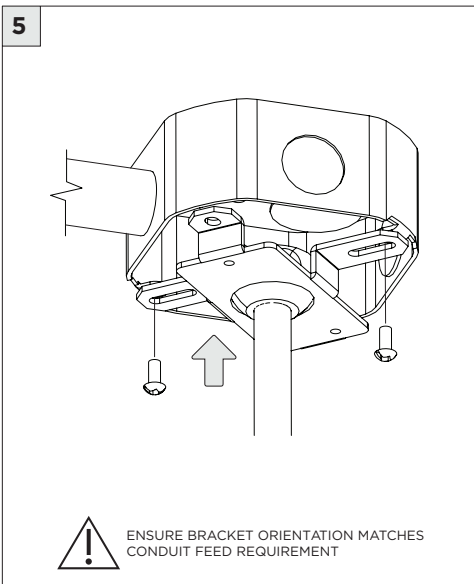
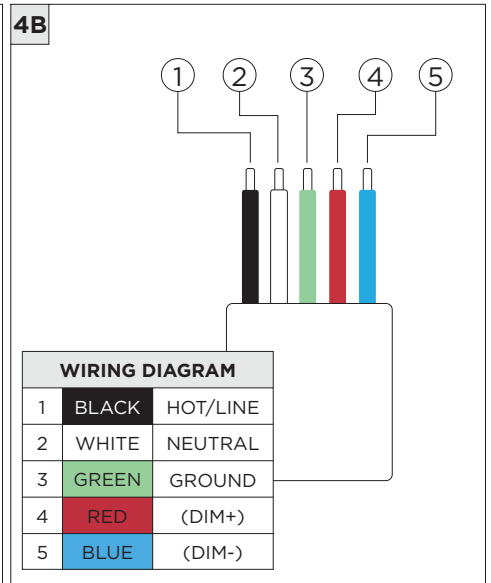
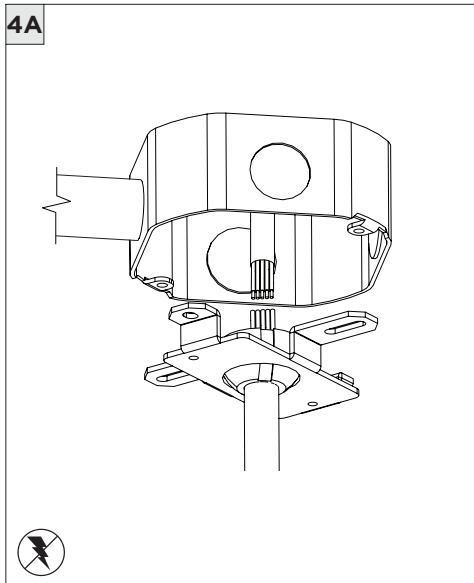
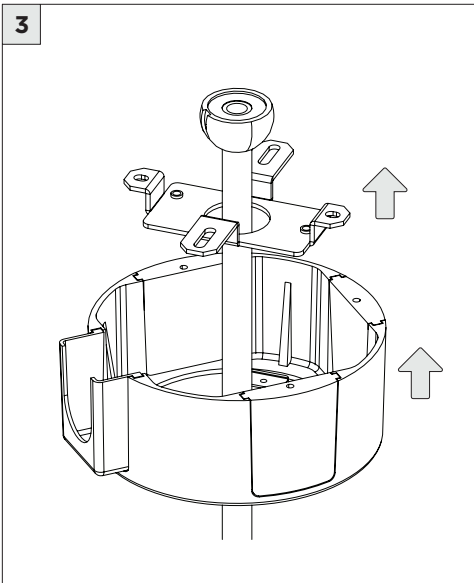
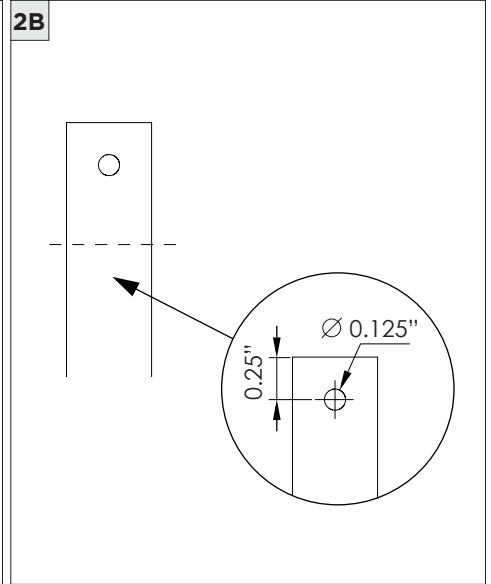
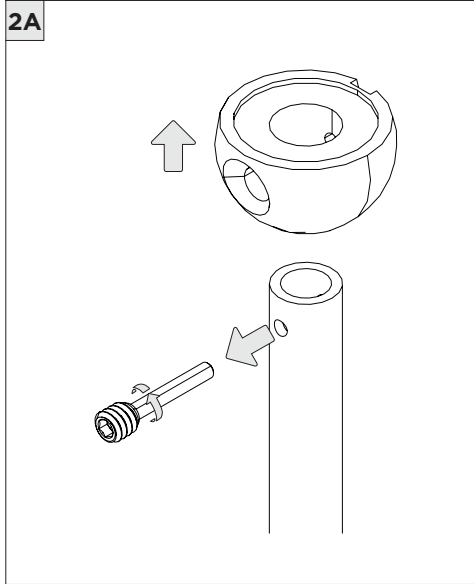
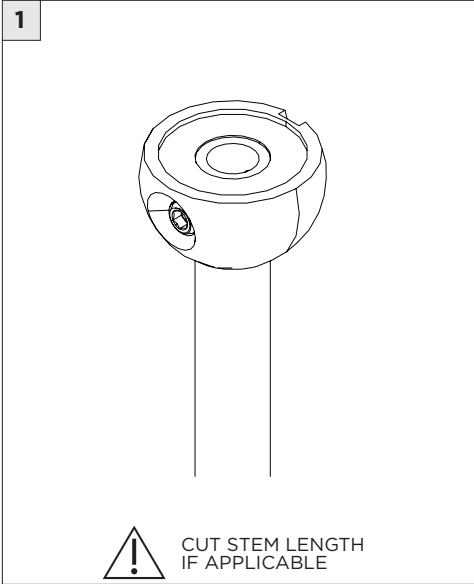




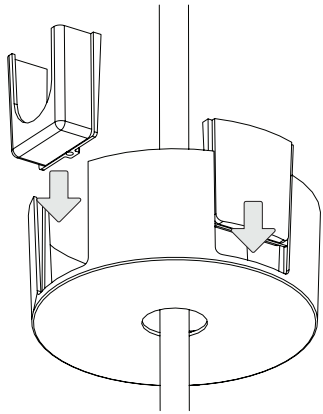
6B



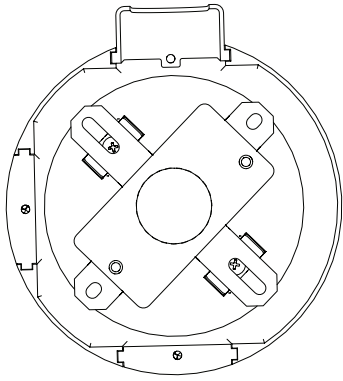
CANOPY IS SUITABLE FOR
MAXIMUM 3 CONDUIT FEEDS



7

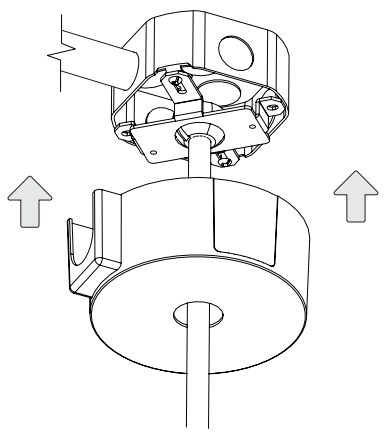


8



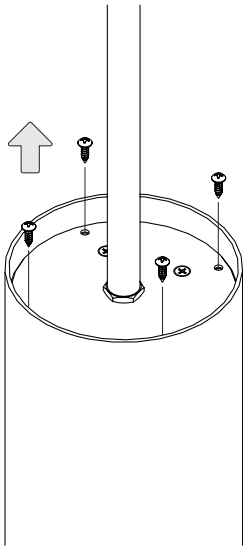
ENSURE CANOPY CLIPS ALIGN WITH BRACKET

9

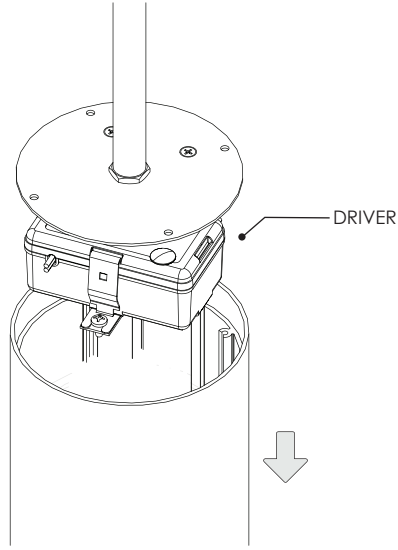


DRIVER SERVICING

1

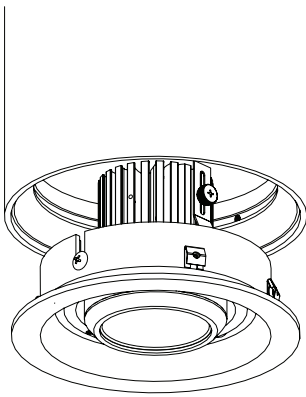


2

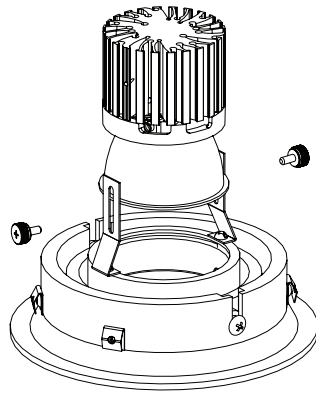


LED SERVICING

1



2



3

