

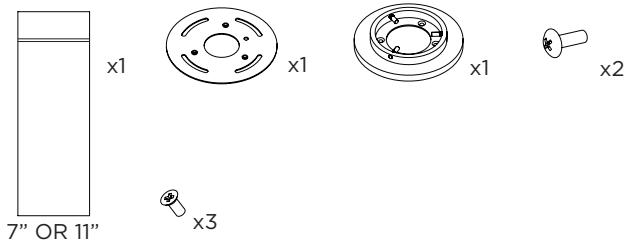
3.3" DOWNLIGHT CYLINDER DEEP REGRESS

SURFACE MOUNT

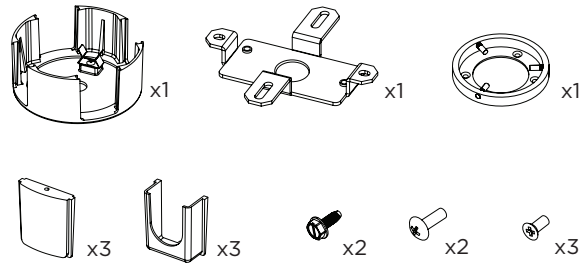


COMPONENTS

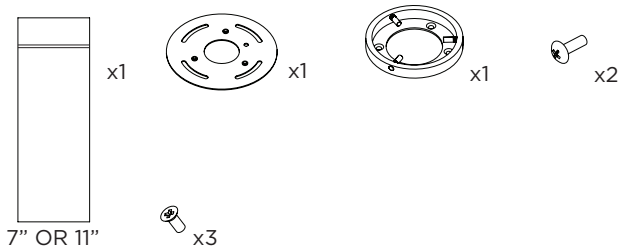
STANDARD CANOPY



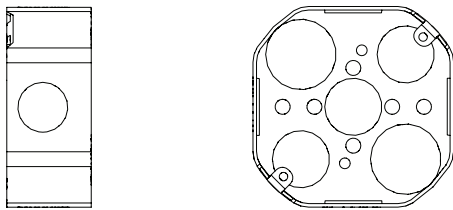
CONDUIT FEED CANOPY



SEAMLESS CANOPY (FOR NEW CONSTRUCTION ONLY)



4" OCTAGONAL J-BOX REQUIRED FOR INSTALLATION



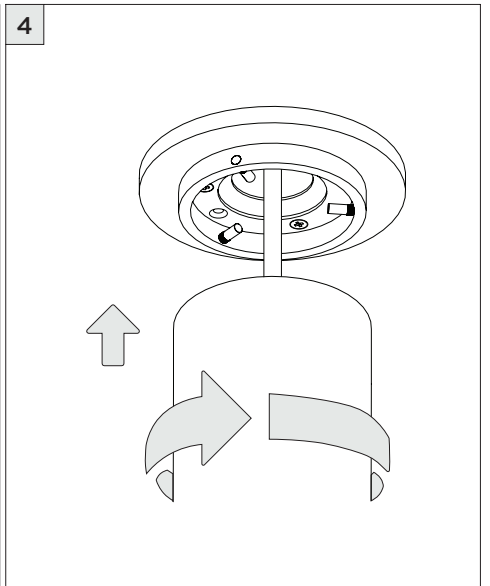
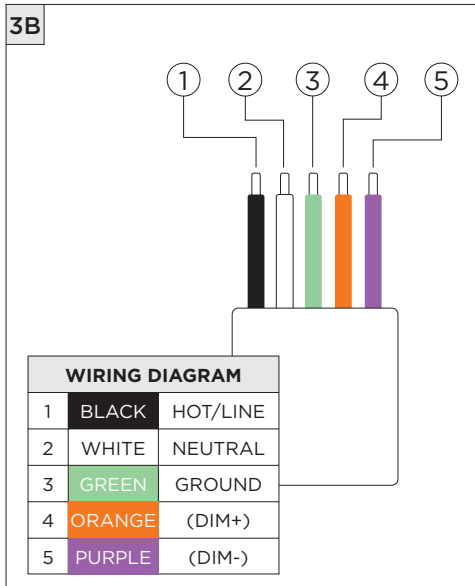
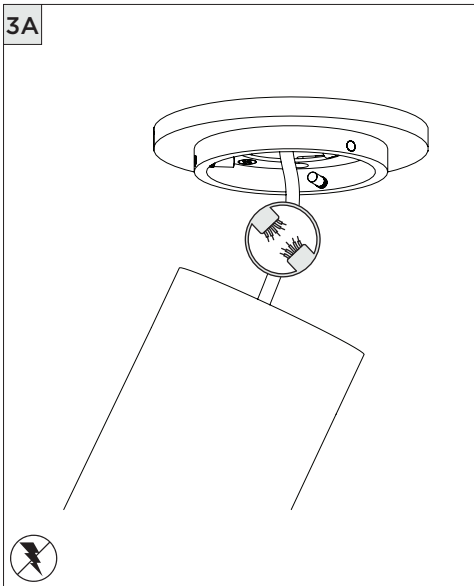
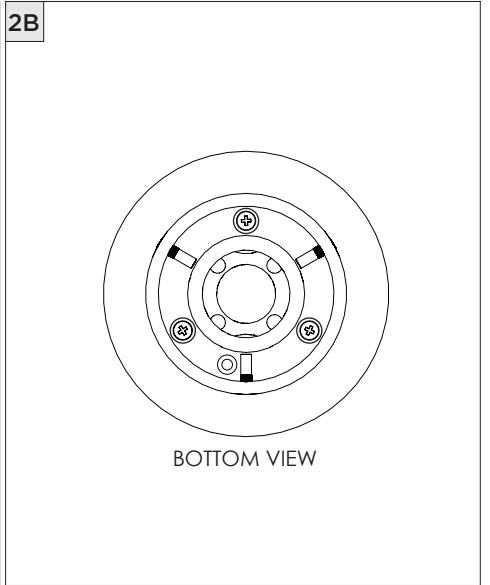
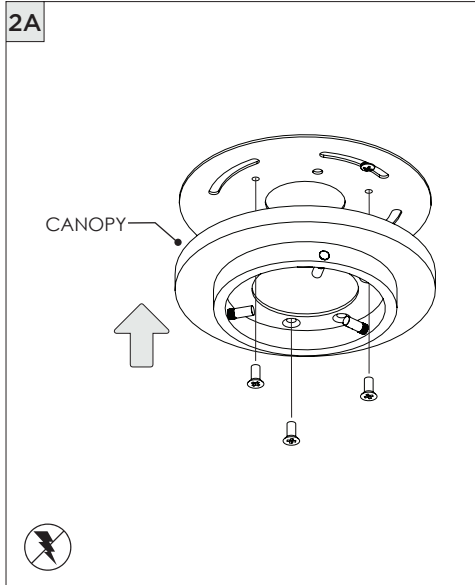
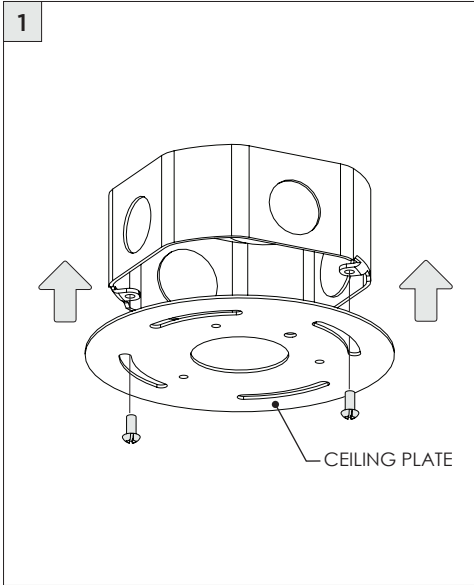
JUNCTION BOX (BY OTHERS)

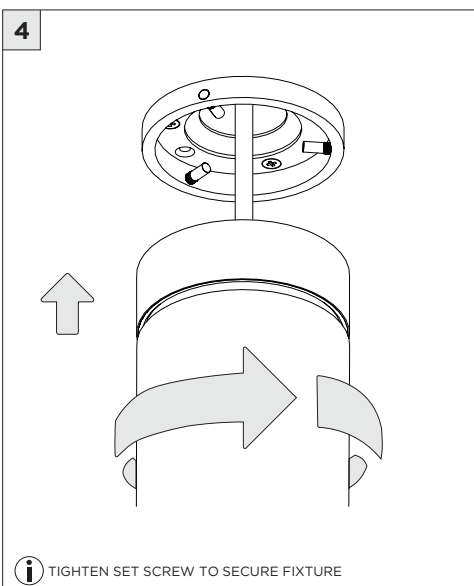
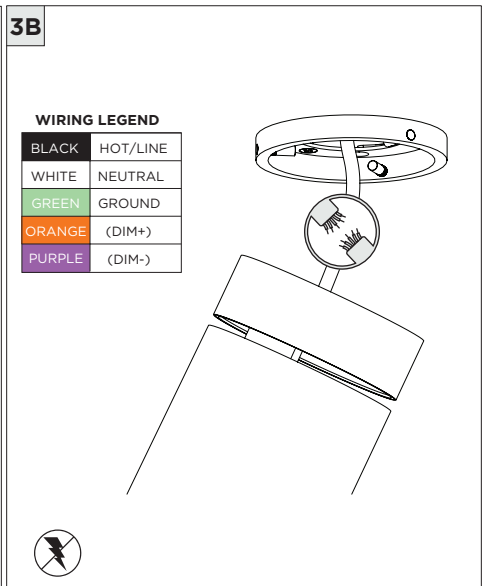
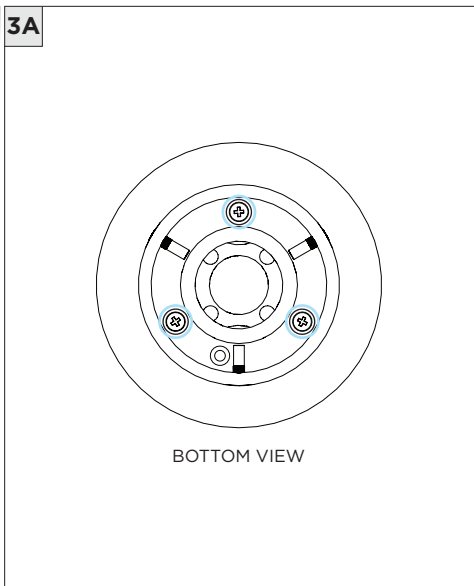
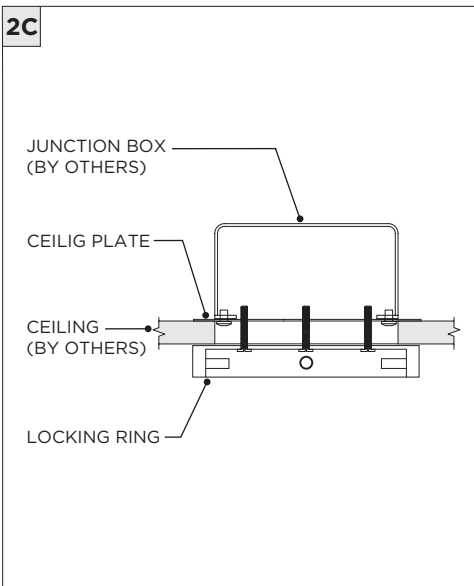
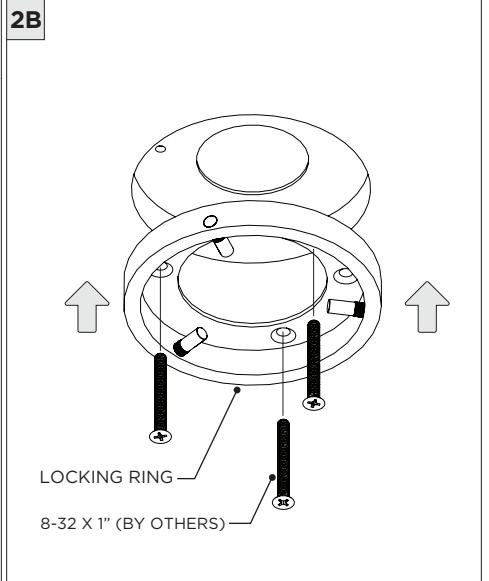
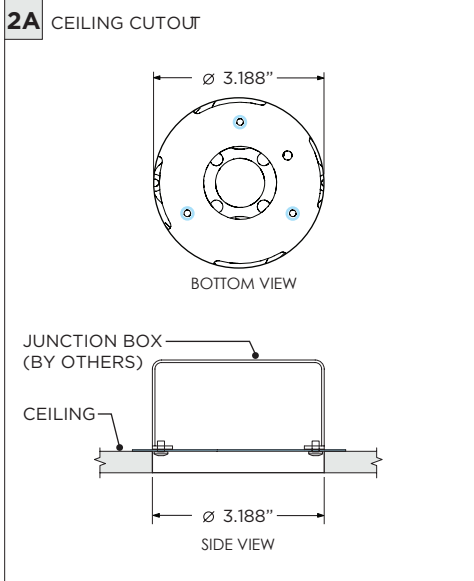
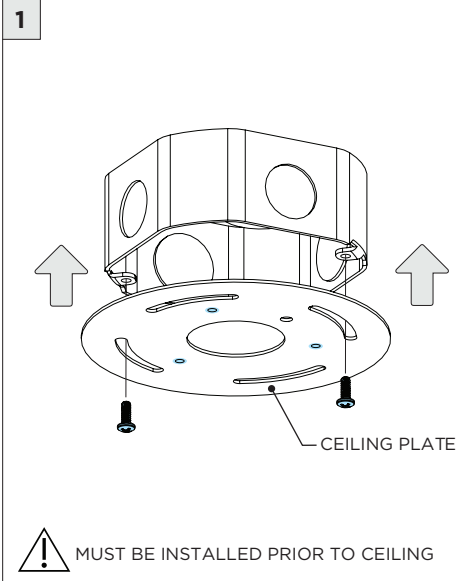
INSTRUCTION KEY

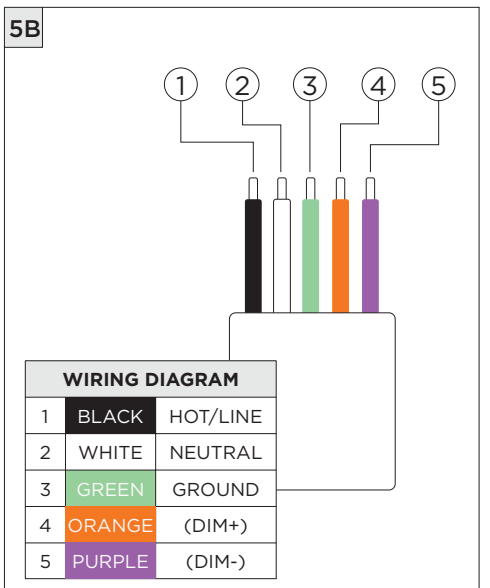
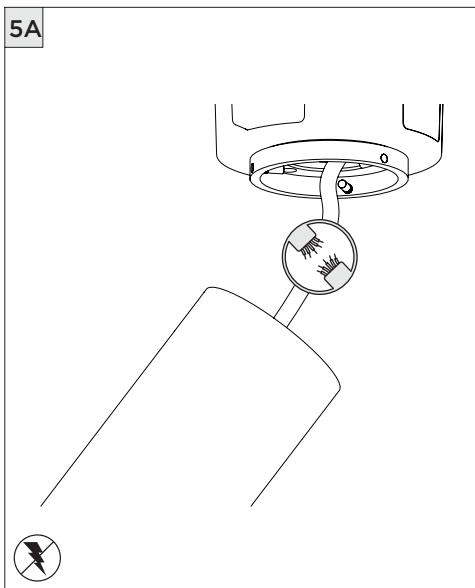
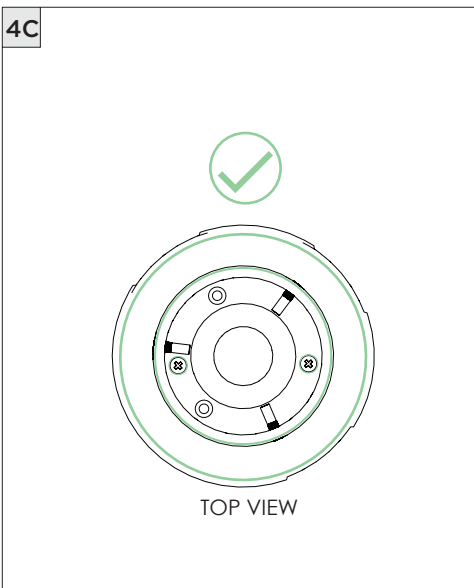
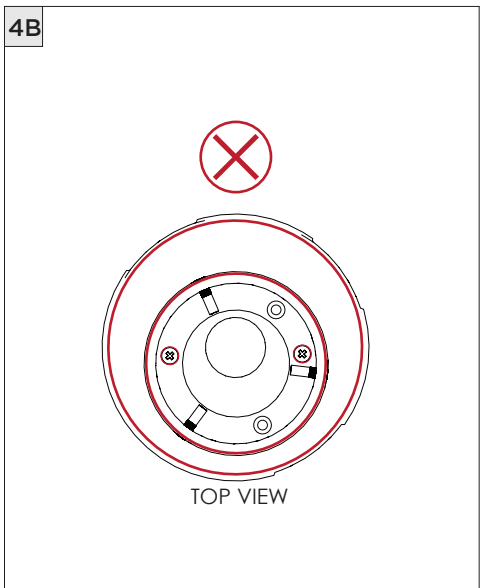
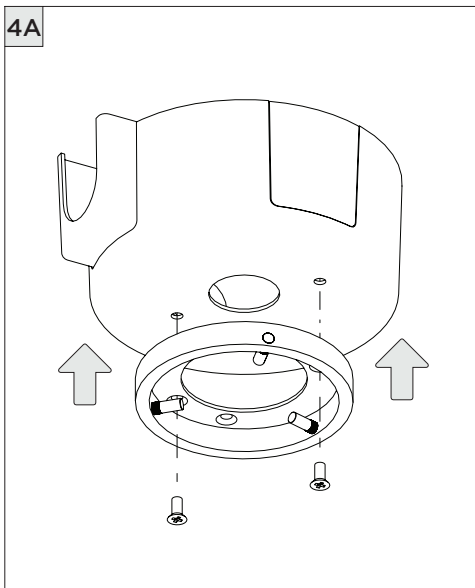
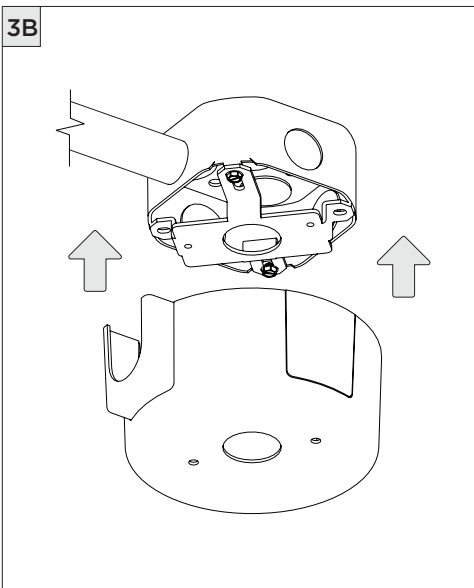
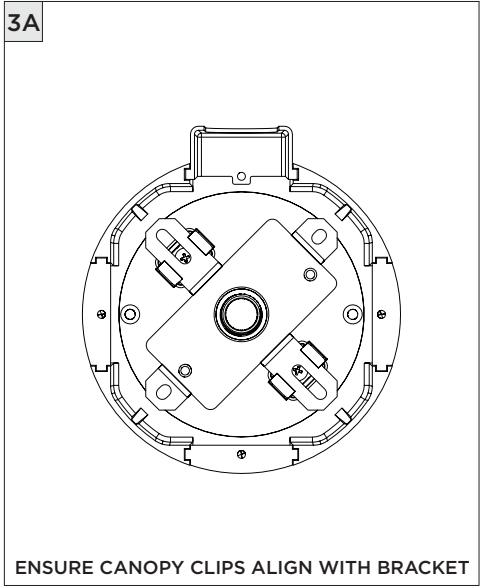
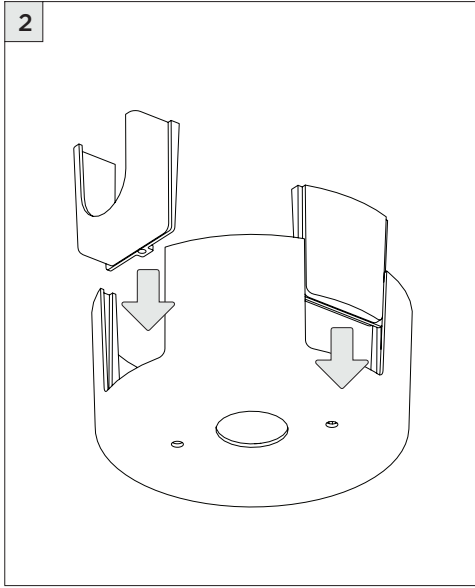
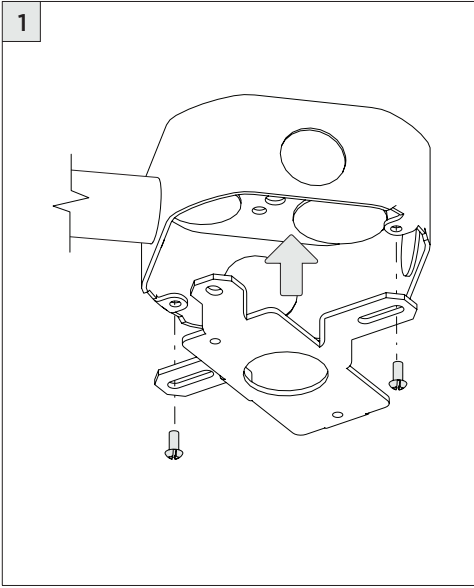
INFORMATION

- ADDITIONAL
- ATTENTION
- POWER ON
- POWER OFF

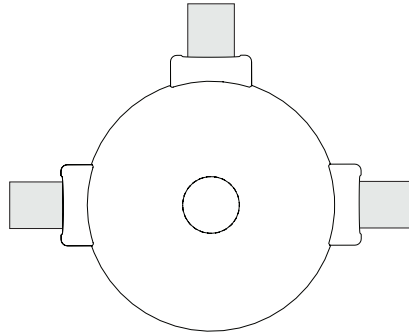
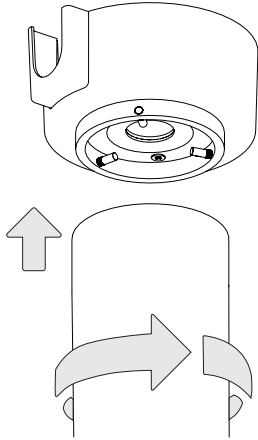
INSTALLATION SHOULD ONLY BE PERFORMED BY A CERTIFIED ELECTRICIAN
 REFER TO LOCAL/NATIONAL CODES FOR PROPER INSTALLATION
 FAILURE TO FOLLOW INSTALLATION INSTRUCTION MAY VOID THE WARRANTY
 DO NOT TOUCH LEDS. LEDS MUST BE PROTECTED FROM MECHANICAL STRESS OR DEBRIS
 TURN OFF POWER DURING INSTALLATION OR SERVICING



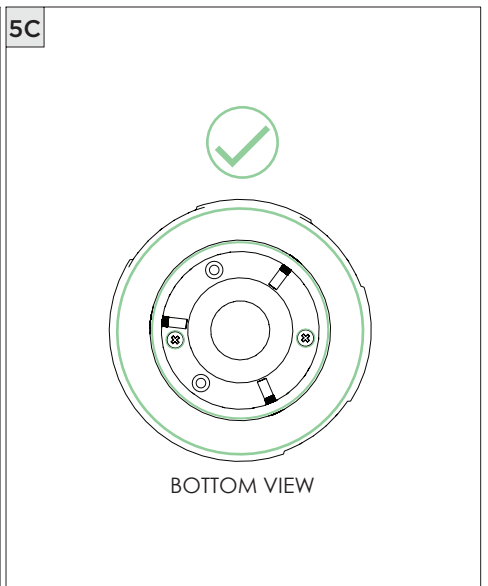
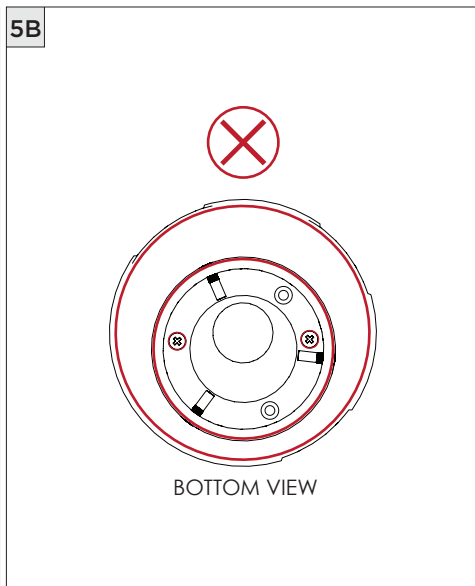
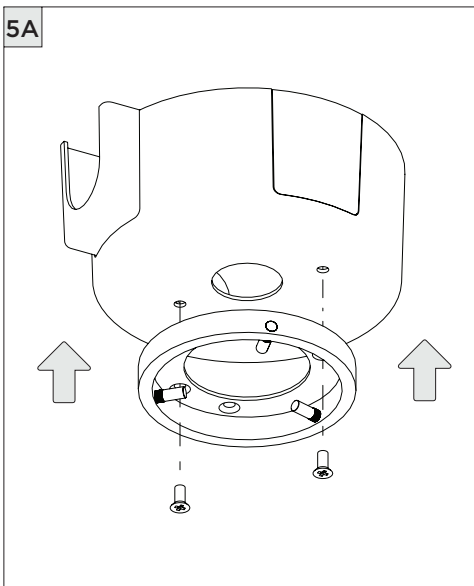
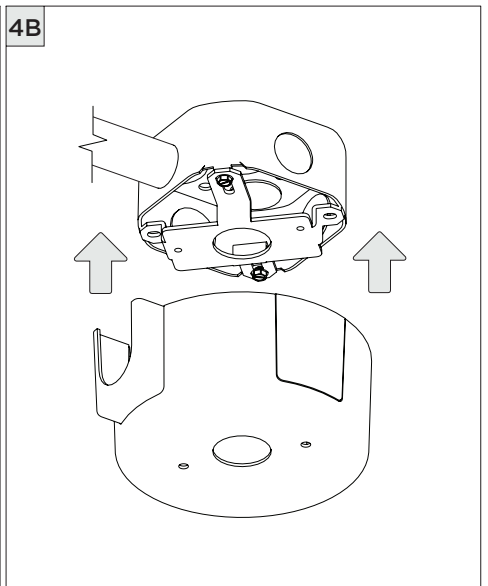
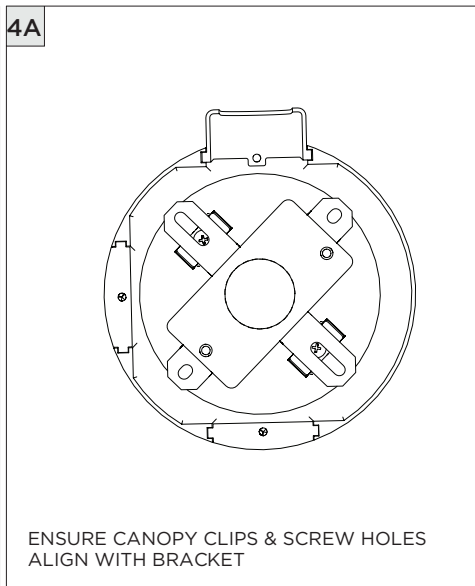
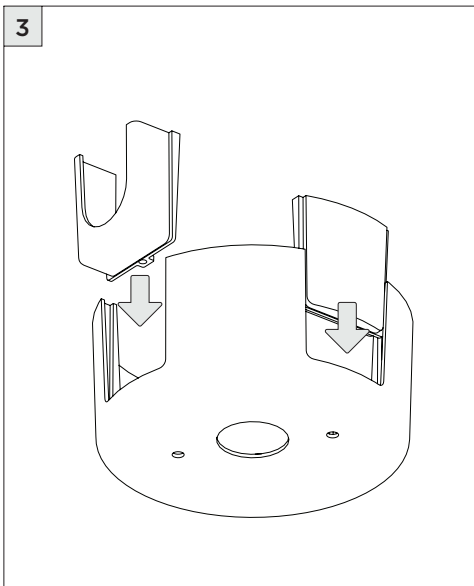
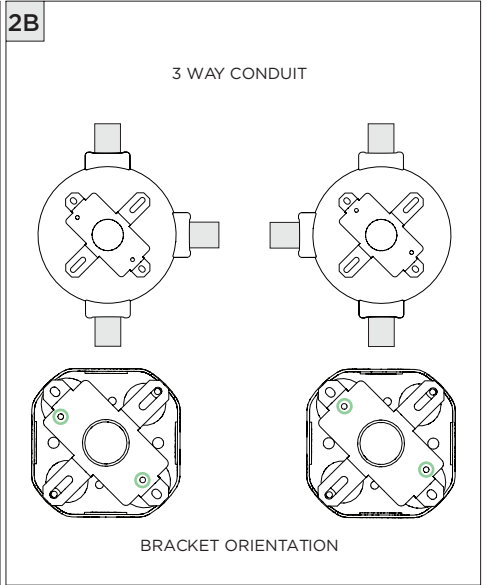
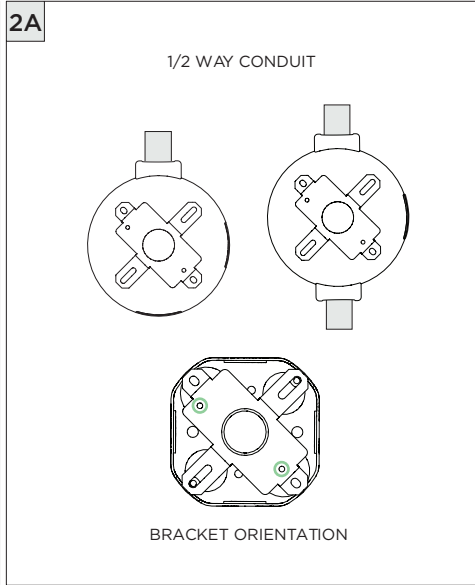
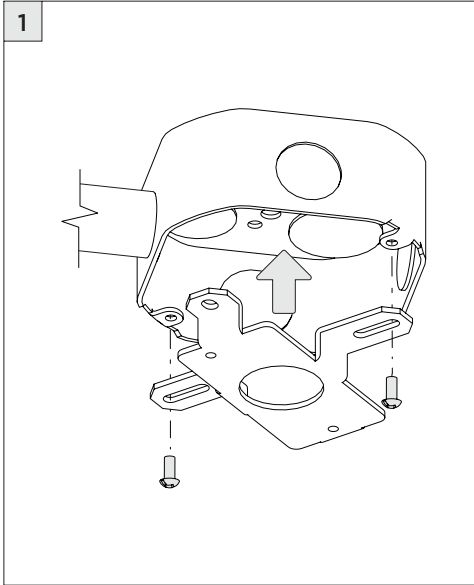


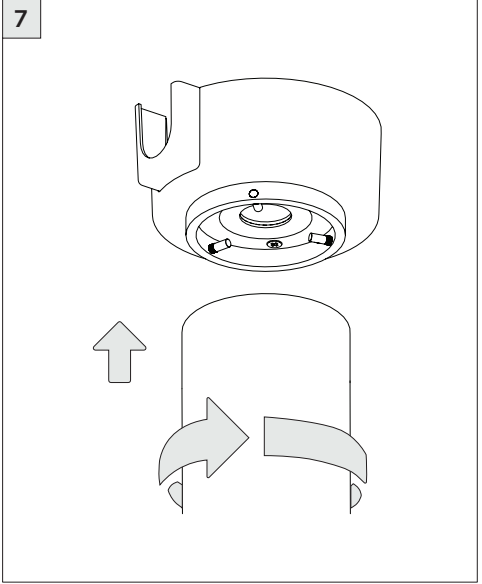
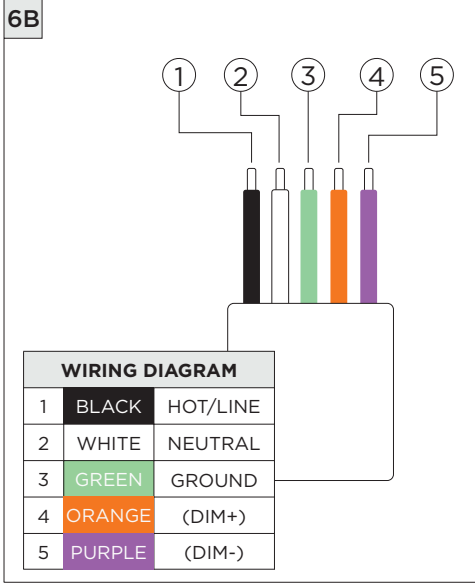
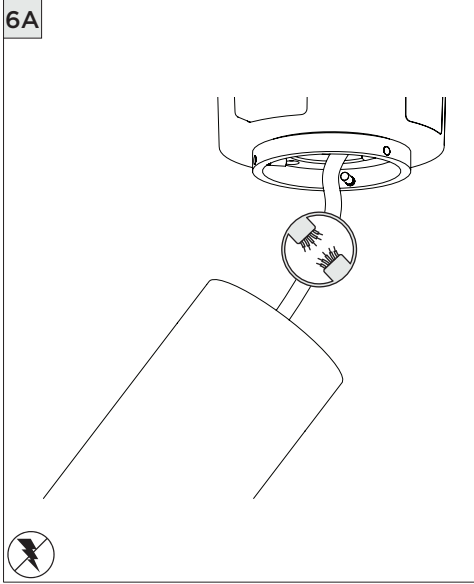


6

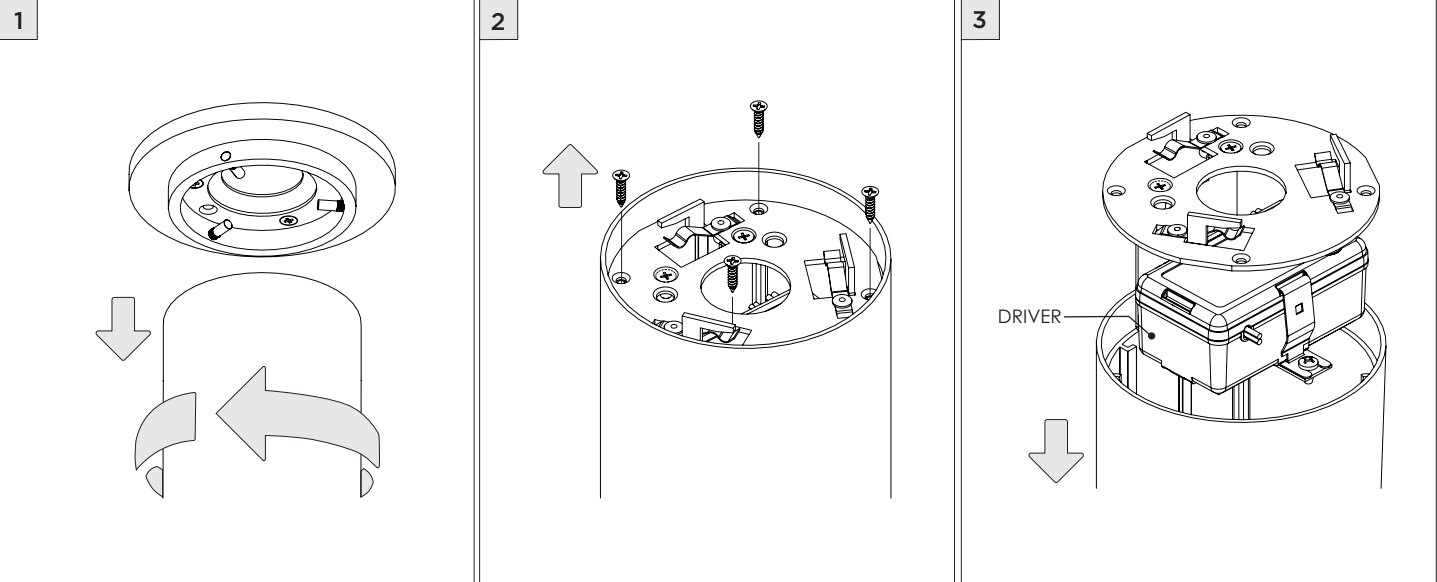


CANOPY IS SUITABLE FOR
MAXIMUM 3 CONDUIT FEEDS

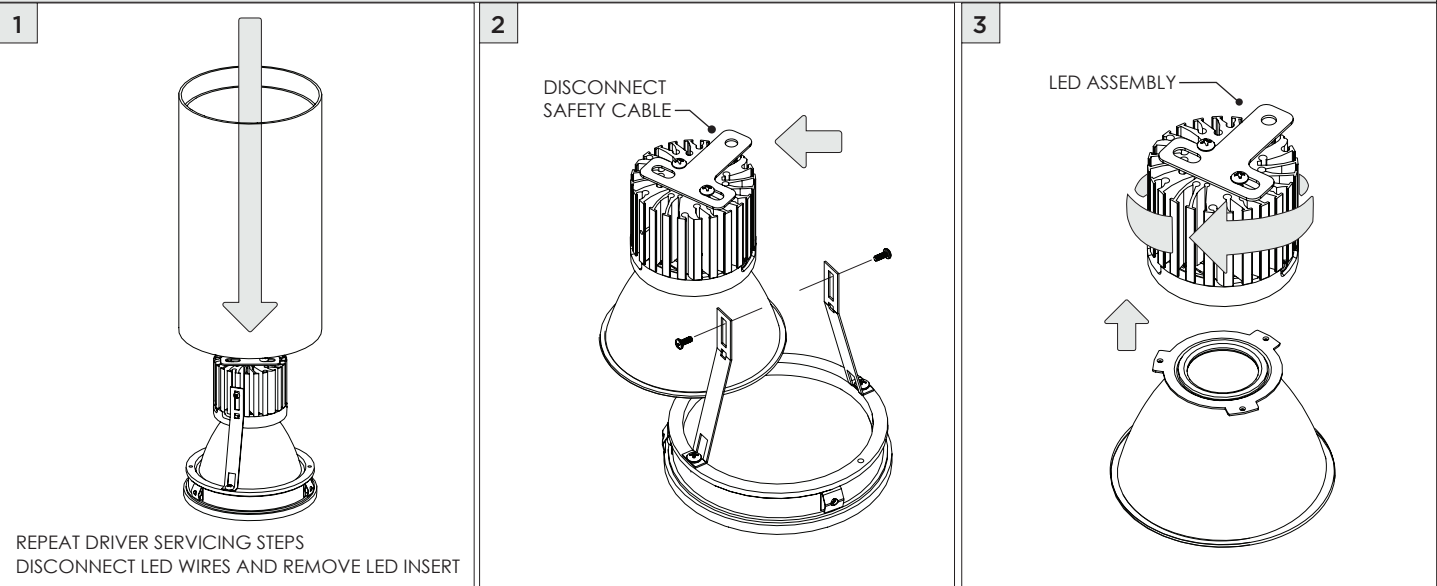




DRIVER SERVICING

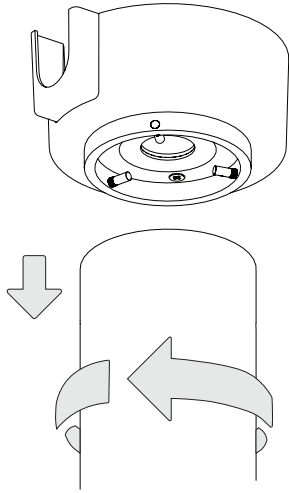


LED SERVICING

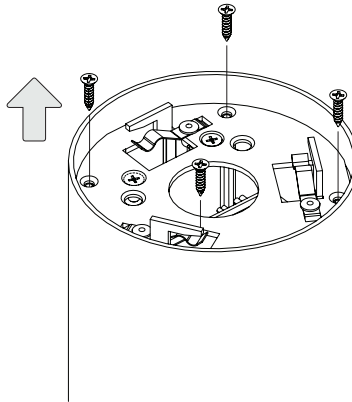


DRIVER SERVICING

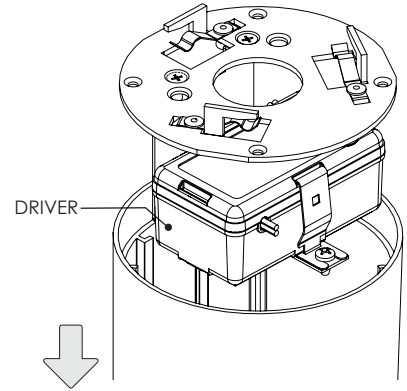
1



2

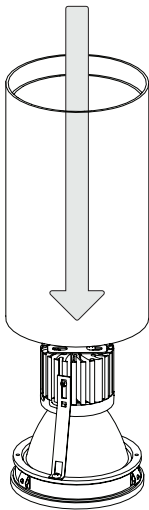


3



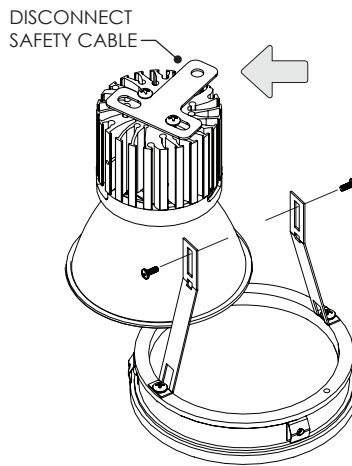
LED SERVICING

1



REPEAT DRIVER SERVICING STEPS
DISCONNECT LED WIRES AND REMOVE LED INSERT

2



3

