



3G-SDL33RF70

3.3" DOWNLIGHT CYLINDER
DEEP REGRESS
7" AND 11" HEIGHT



3.3" diameter high performance cylinders
Companion to 3G-DL33R series downlight family
Extruded aluminum housing with powder coated finish
Regressed LED source for enhanced glare control
Lumen range up to 2200lm (80+, 90+, and 97+ CRI options)
1% dimming standard with several integral driver options

PROJECT:		TYPE:	
CATALOG#:		DATE:	QTY:

CAT. NO	FIXTURE HEIGHT	LUMEN OUTPUT	CRI	COLOR TEMP	BEAM ANGLE
3G-SDL33RF70	7H - 7" HEIGHT *	10 - 1000 LUMENS	S80 - 80+ CRI ¹	27K - 2700K	10D - 10°
	11H - 11" HEIGHT	15 - 1500 LUMENS	H90 - 90+ CRI	30K - 3000K	20D - 20°
		22 - 2200 LUMENS	H97 - 97+ CRI ¹	35K - 3500K 40K - 4000K	40D - 40° 60D - 60°
	*7H available up to 1500lm with integral driver (DIM & LE options). Select remote driver option for higher lumen outputs				

VOLTAGE	DRIVER	HOUSING FINISH	INSERT FINISH
UNV - 120/277V 120 - 120V 347 - 347V ²	DIM - 0-10V (100-1%) LE - PHASE DIMMING ³ (TRIAC/ELV, 100-1%) D01 - 0-10V (100-0.1%) DALI - DALI (100-1%) ⁴ DHL2 - LUTRON HI-LUME (1% ECOSYSTEM) DMX - DMX (100-0%) RDIM - REMOTE 0-10 (100-1%) RLE - REMOTE PHASE (TRIAC/ELV, 100-1%) Remote drivers supplied with enclosure	WH - WHITE BK - BLACK SV - SILVER CF - CUSTOM RAL COLOR	WI - WHITE BI - BLACK SI - SILVER CI - CUSTOM RAL COLOR

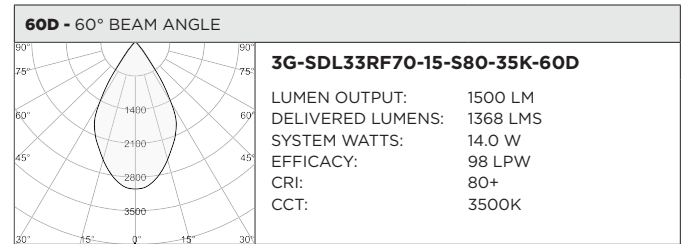
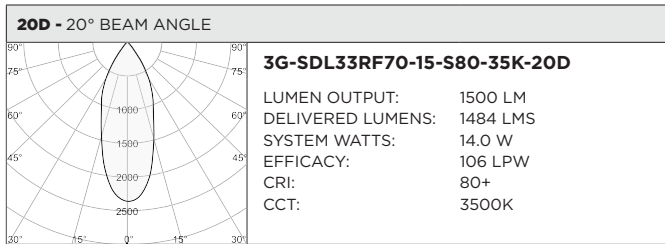
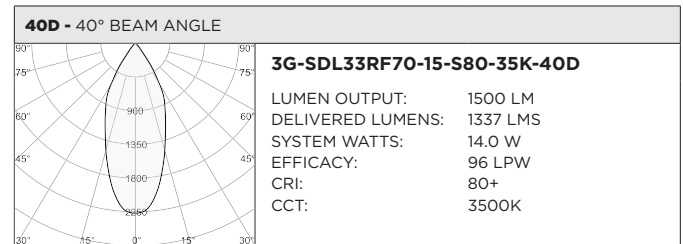
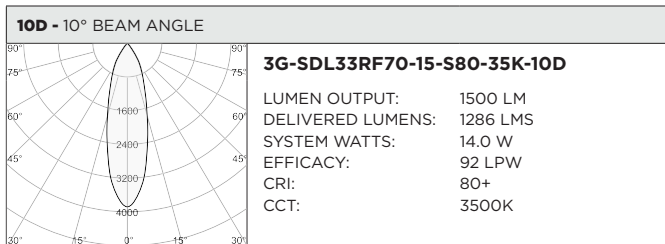
OPTIONS
CFW - WHITE CONDUIT FEED CANOPY CFB - BLACK CONDUIT FEED CANOPY CFS - SILVER CONDUIT FEED CANOPY FXC - SEAMLESS CANOPY OPTION EMR - EMERGENCY BATTERY (REMOTE) ⁵

¹ S80 not available in 27K. H97 available in 30K and 35K as standard
² 347 available in "DIM" 0-10V and "RDIM" 0-10V only (100-1%). Not available with 7H model
³ Phase dimming options available in 120V only
⁴ DALI-2 (Type 6) provided as standard. Consult factory for DALI Type 8 option
⁵ Emergency battery installed remotely by others. Not accessible through the inside of the fixture

BASED ON 20° BEAM ANGLE AND 3500K SOURCE

LUMEN OUTPUT	80+ CRI			90+ CRI			97+ CRI		
	DELIVERED LUMENS	SYSTEM WATTS	EFFICACY (LPW)	DELIVERED LUMENS	SYSTEM WATTS	EFFICACY (LPW)	DELIVERED LUMENS	SYSTEM WATTS	EFFICACY (LPW)
1000LMs	1081	10.3	105	951	10.3	92	818	10.3	79
1500LMs	1484	14.0	106	1306	14.0	93	1096	14.0	78
2200LMs	2197	21.9	100	1933	21.9	88	1643	21.9	75

LUMEN OUTPUT MULTIPLIER: 27K=0.94, 30K=0.97, 35K=1.00, 40K=1.01



HOUSING

Extruded aluminum housing with powder coated finish
 Twist and lock construction with no visible hardware

BEVELED INSERT

3.3" aperture with regressed LED source for enhanced glare control
 Cast aluminum insert with matte powder coated finish

OPTICS

Proprietary anodized, aluminum reflectors are field replaceable (20° reflector not interchangeable)
 Available in 10°, 20°, 40° and 60°

LISTING

ETL listed and conforms to UL1598 standard. Certified to CSA22.2 No.250.0.
 Rated for indoor dry or damp locations

WARRANTY

5 Year Warranty on LED and drivers
 Manufacturer 1 Year Warranty for defects in material and workmanship under normal use
 Ambient temperature at fixture should not exceed 25°C

ELECTRICAL

Standard 0-10V, constant current drivers with 100-1% dimming range and >0.9 power factor
 120V Forward Phase/Reverse Phase driver option with 100-1% dimming range
 Standard 120/277V universal voltage with several driver options
 All drivers are integral and easily accessible through luminaire aperture
 7" models include 0-10V drivers that operate only with dimmers that sink current (not designed for source current)
 Compatible 0-10V dimmers for all 7" height models listed below:
Lutron NFTV, Lutron DDTV, Lutron DVSTV, Lutron VIVE RMJS-8TN, Leviton IP710-DLZ, Philips SR1200ZTUNV, Cooper SF10P

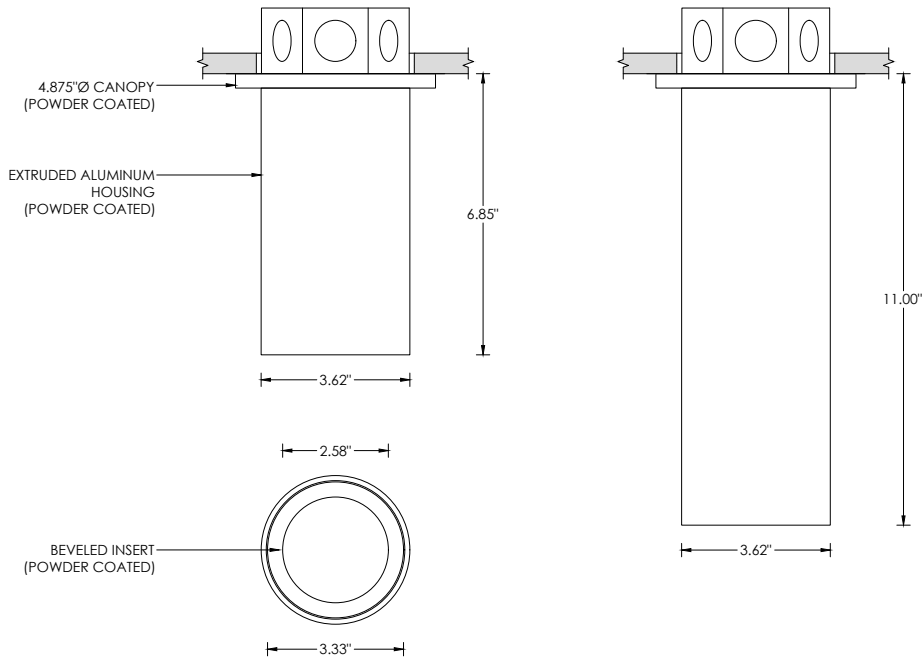
LED SYSTEM

Citizen LED module (field replaceable)
 Color consistency <2 SDCM
 Standard (80+ CRI). Optional (90+ and 97+ CRI)
 Available in 27K, 30K, 35K, and 40K
 L90 >50,000 hours
 5 Year Warranty

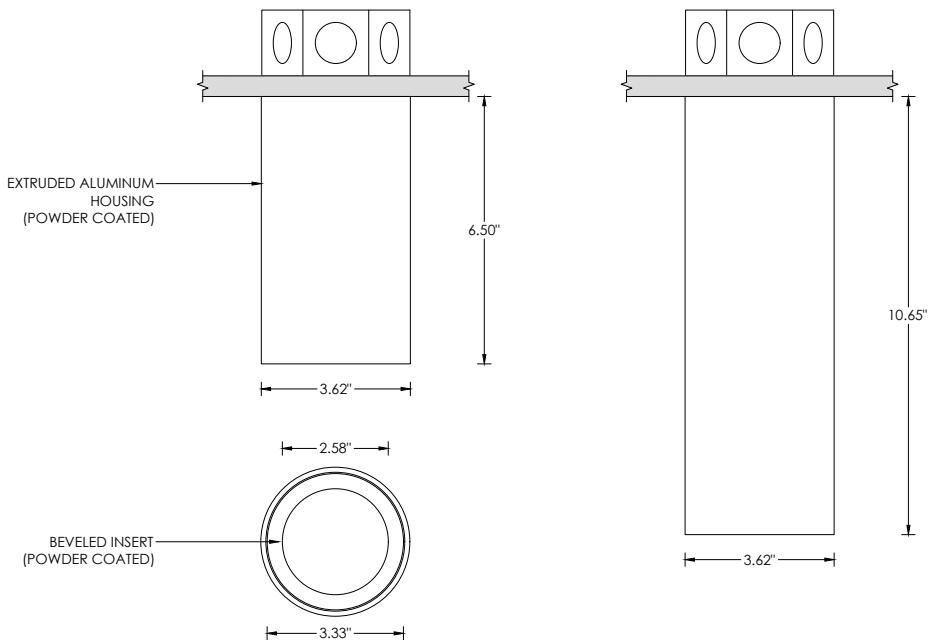
MOUNTING

All hardware included for mounting to 4" octagonal junction box
 Conduit feed cut-out canopy option designed to mount to 4" octagonal junction box
 Twist and lock mechanism

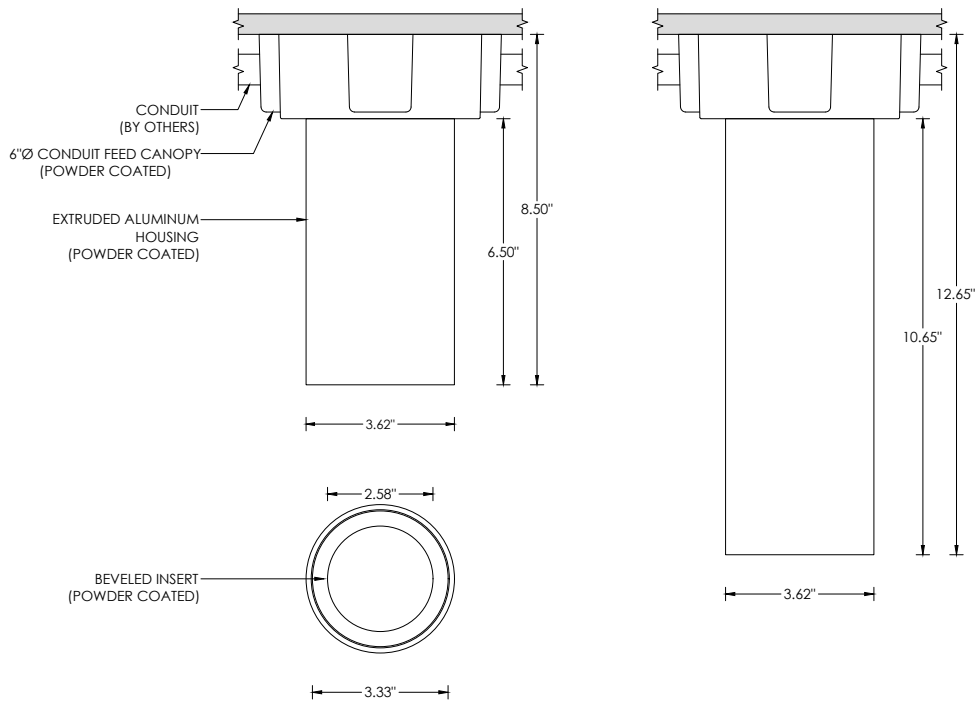
RECESSED 4" OCTAGONAL JUNCTION BOX BY OTHERS
STANDARD CANOPY MOUNT



RECESSED 4" OCTAGONAL JUNCTION BOX BY OTHERS
SEAMLESS CANOPY MOUNT (FXC OPTION) FOR NEW CONSTRUCTION ONLY



SURFACE 4" OCTAGONAL X 1.5" DEEP JUNCTION BOX BY OTHERS
CONDUIT FEED CANOPY MOUNT (CFX OPTION)



CONDUIT FEED CANOPY MOUNTING OPTIONS

