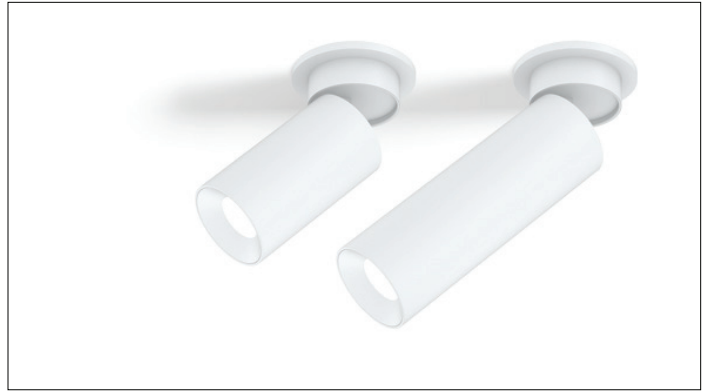


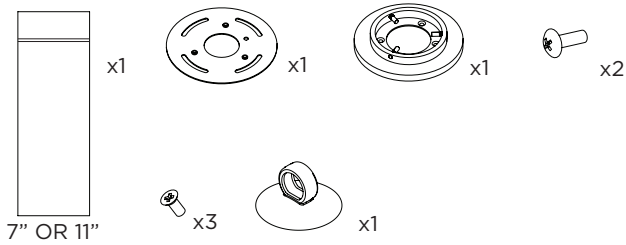
## 3.3" ADJUSTABLE DOWNLIGHT CYLINDER

SURFACE MOUNT

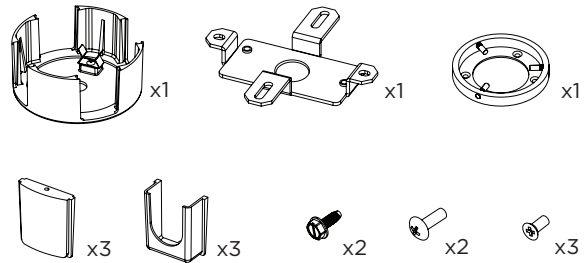


### COMPONENTS

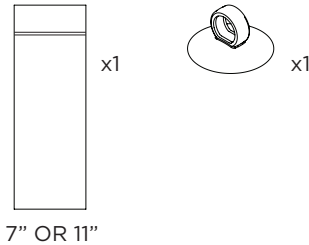
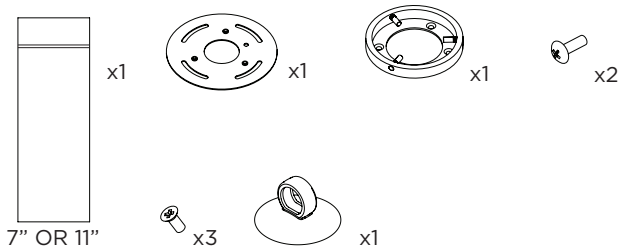
#### STANDARD CANOPY



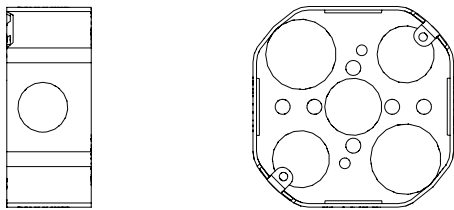
#### CONDUIT FEED CANOPY



#### SEAMLESS CANOPY (FOR NEW CONSTRUCTION ONLY)

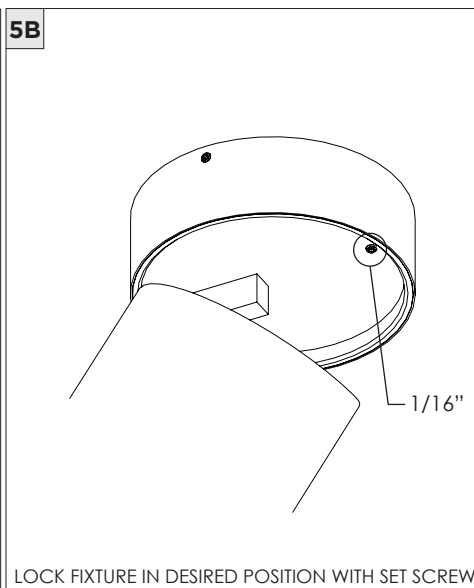
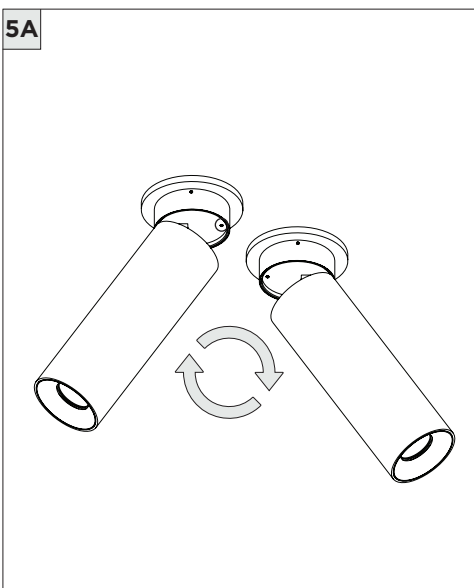
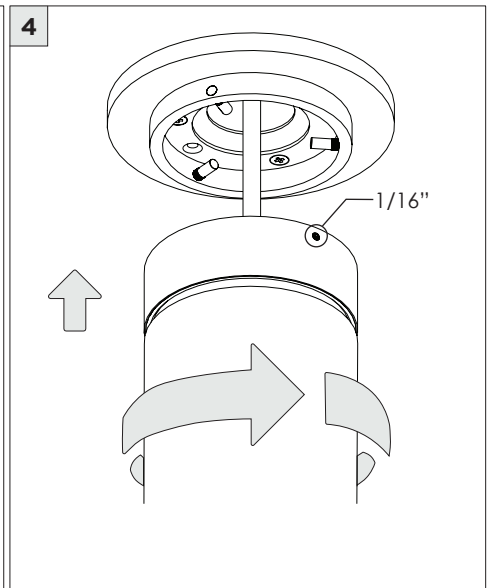
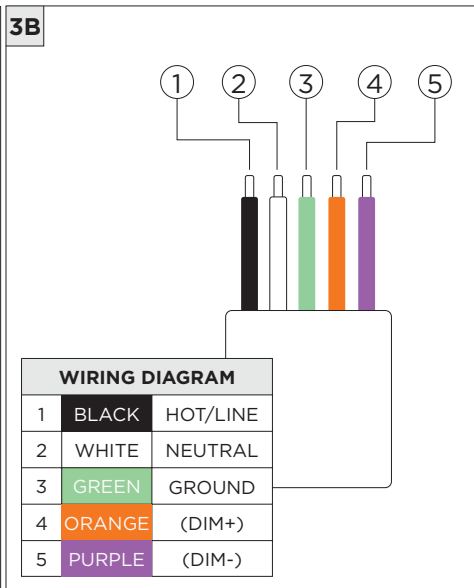
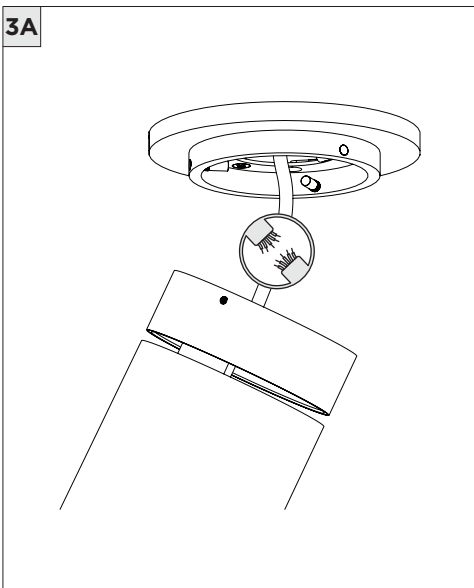
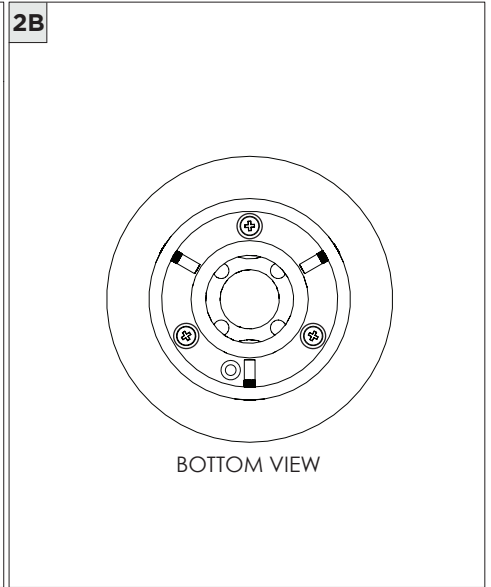
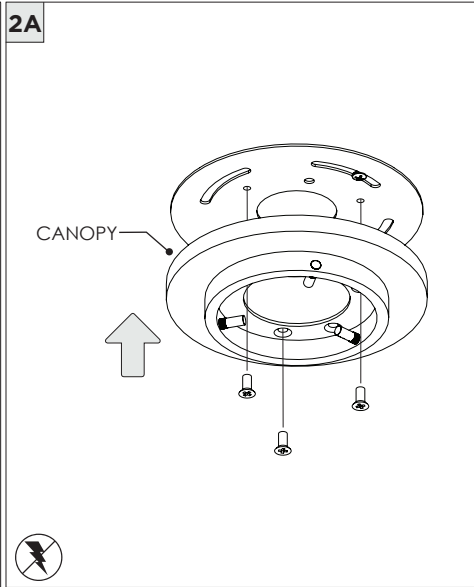
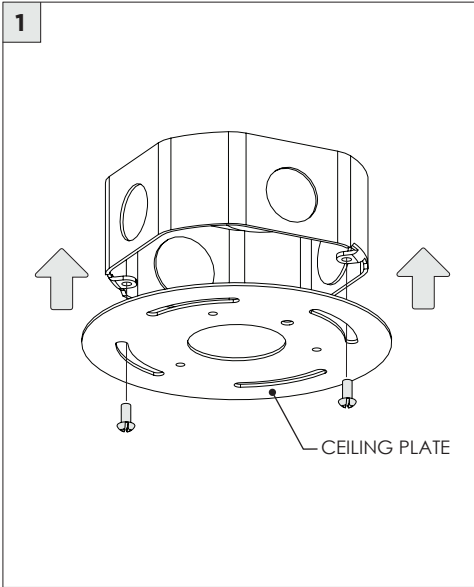


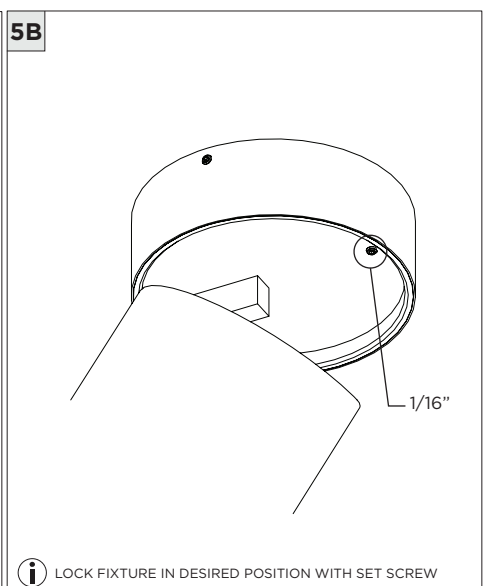
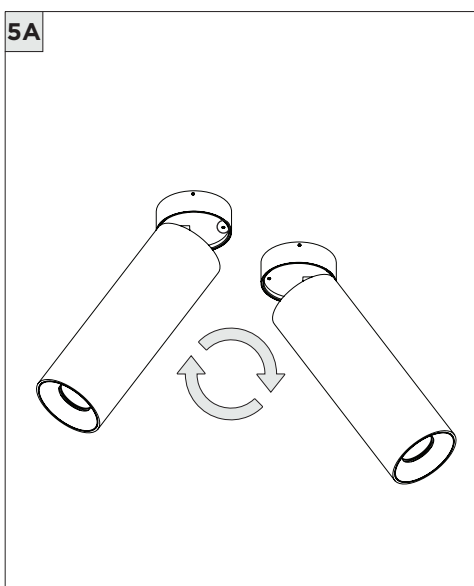
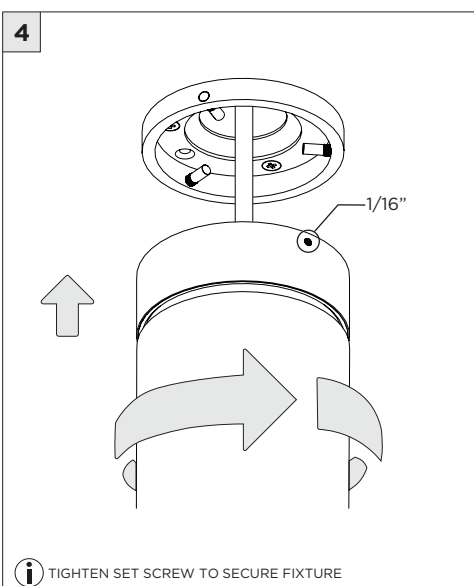
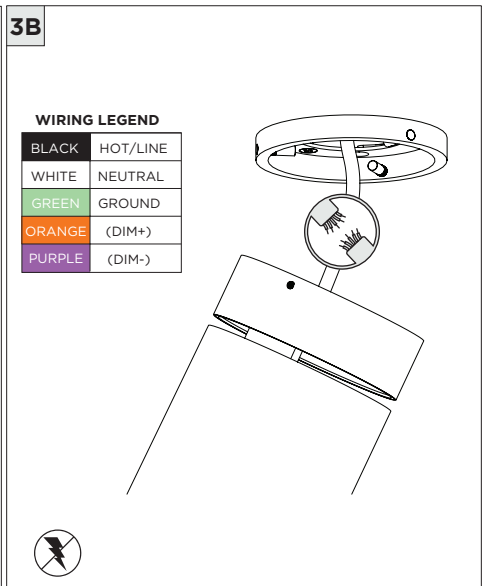
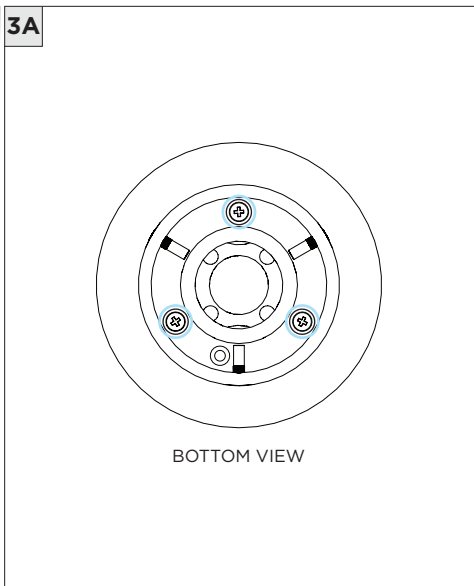
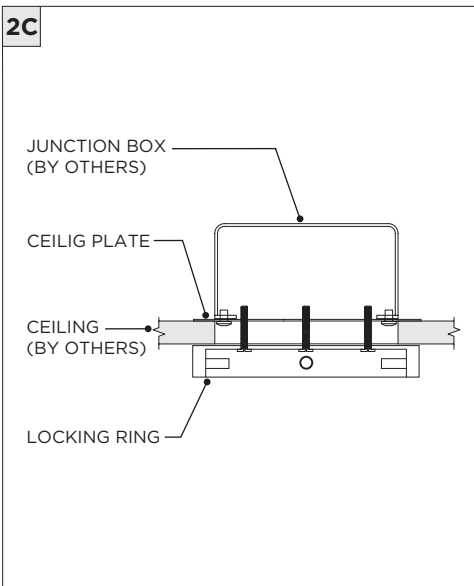
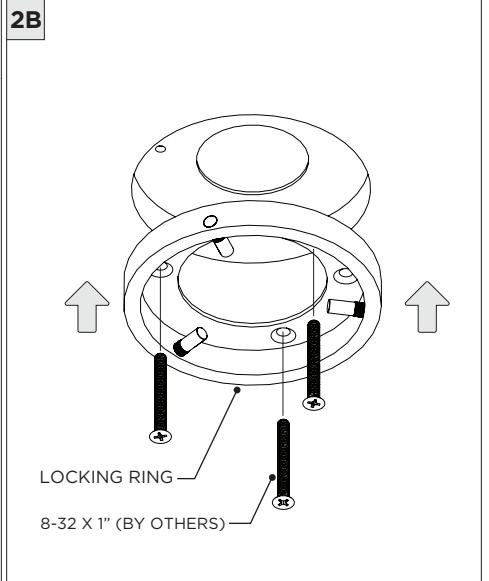
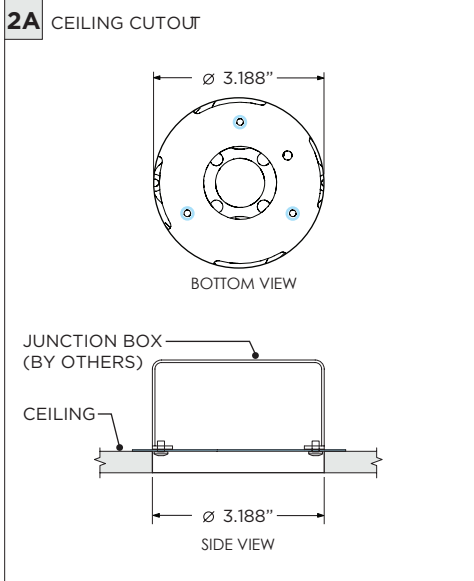
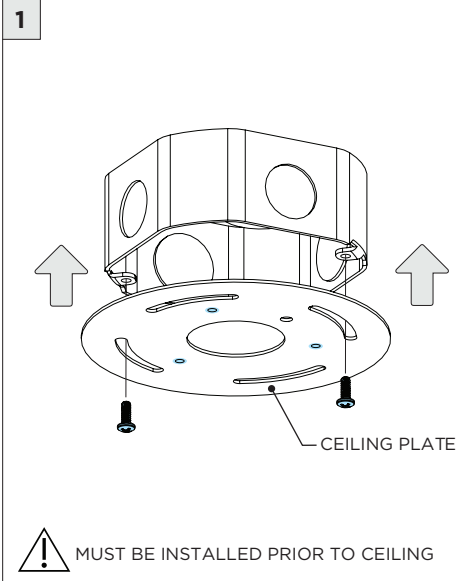
#### 4" OCTAGONAL J-BOX REQUIRED FOR INSTALLATION

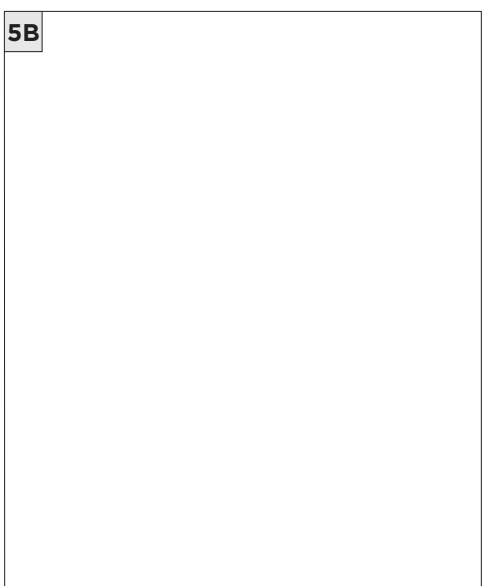
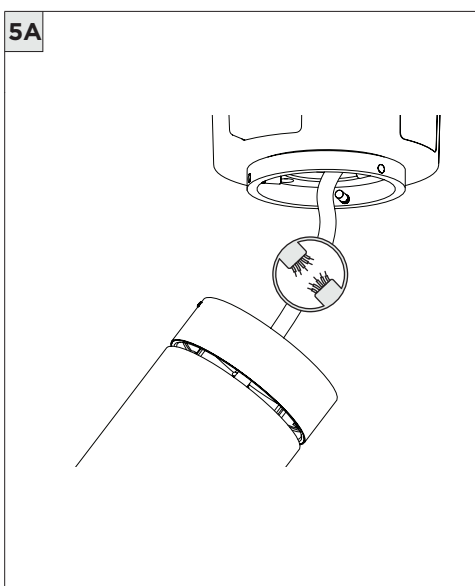
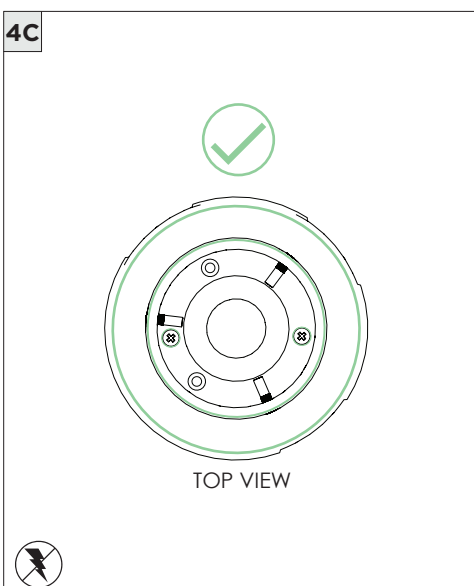
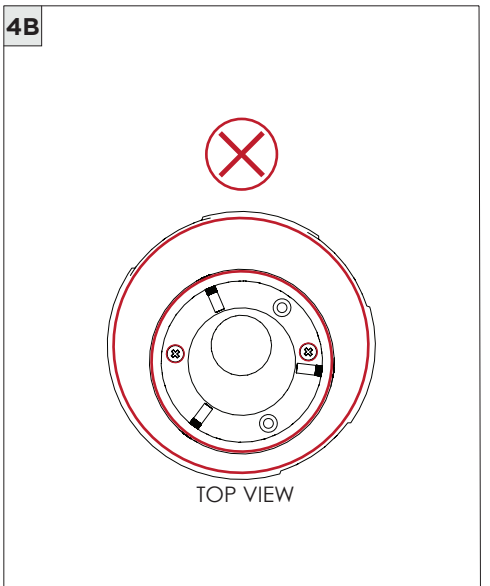
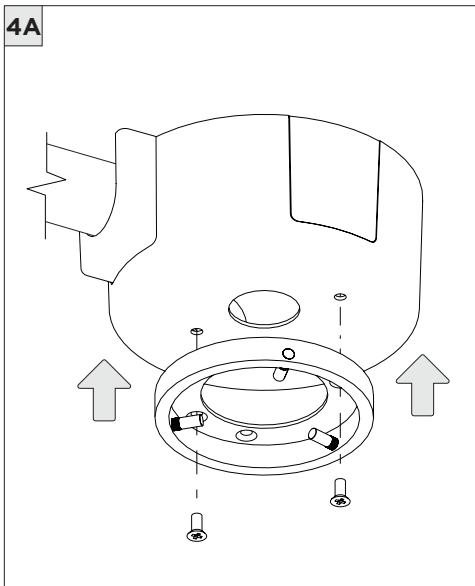
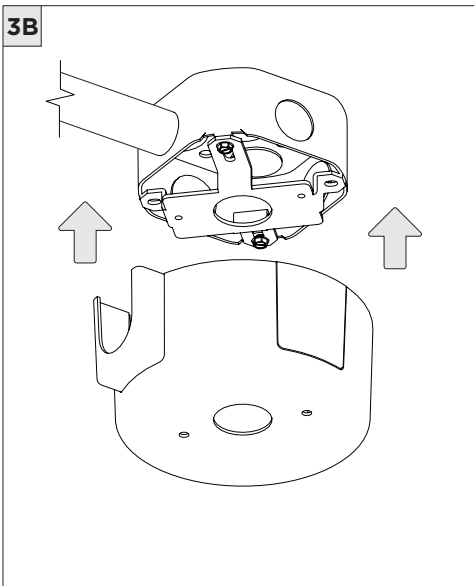
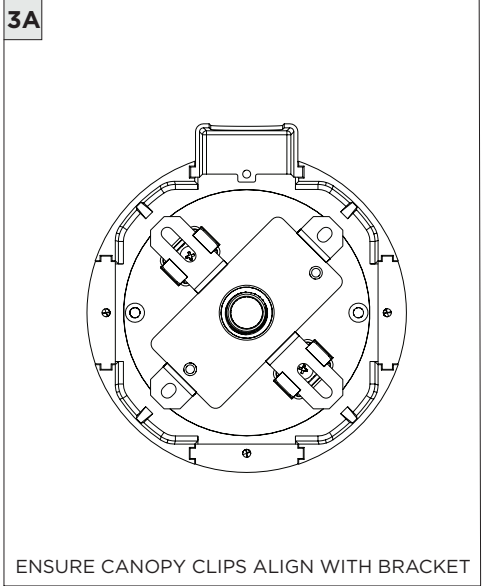
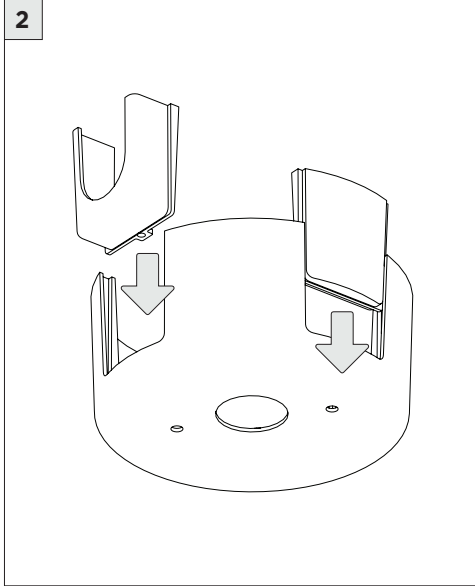
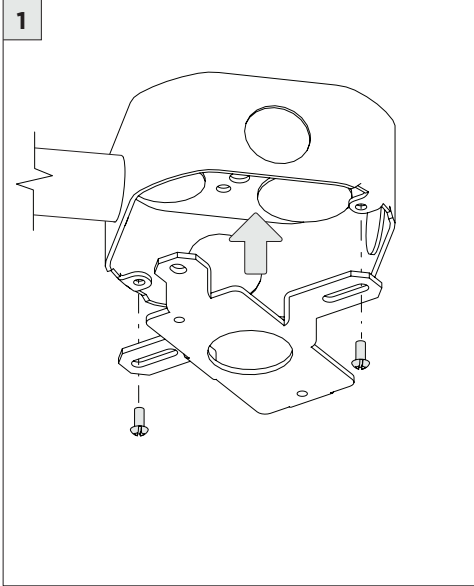


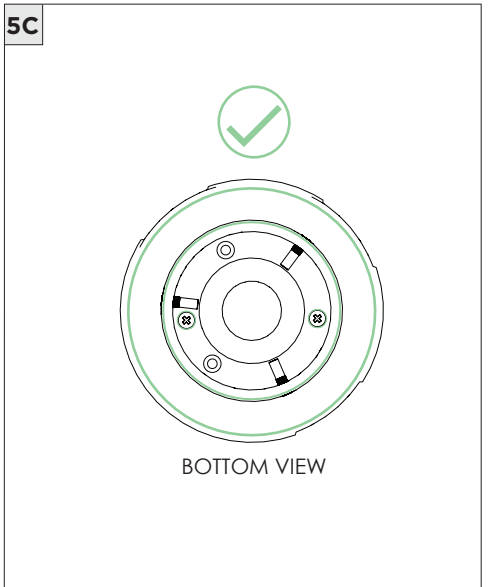
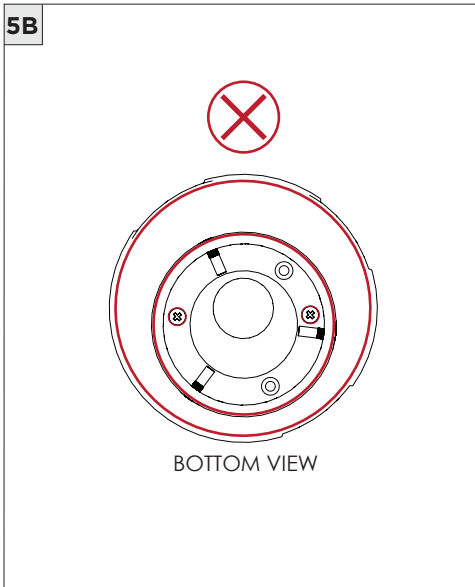
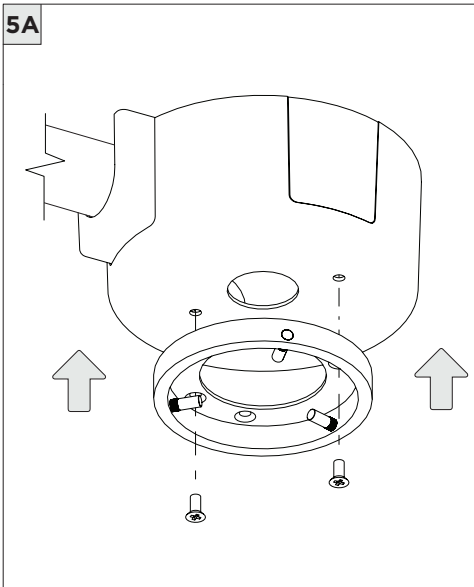
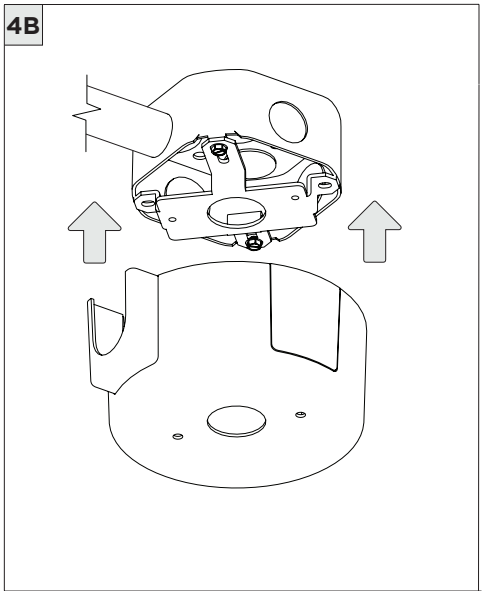
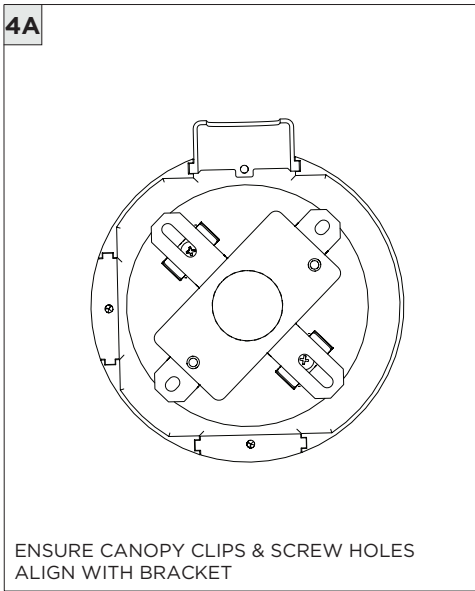
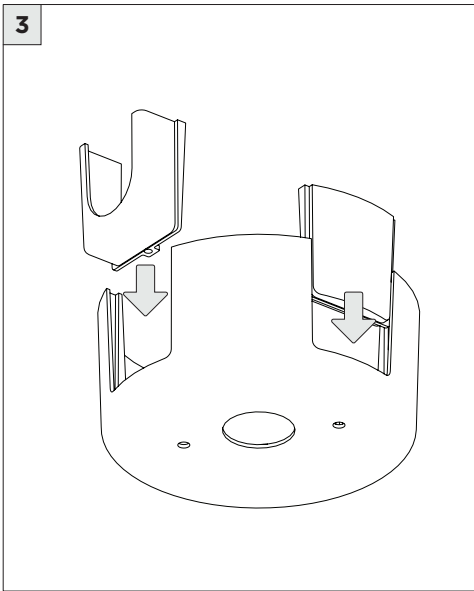
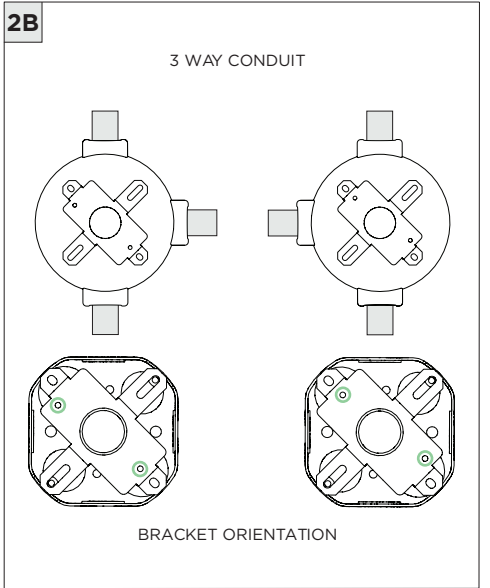
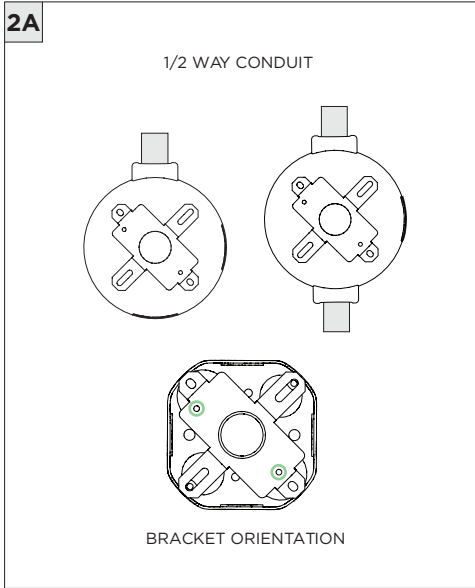
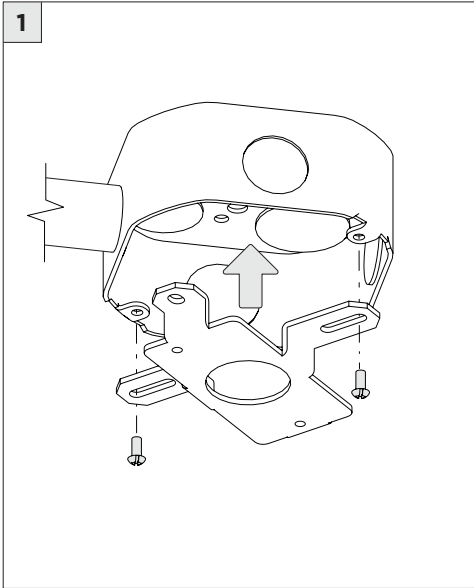
JUNCTION BOX (BY OTHERS)

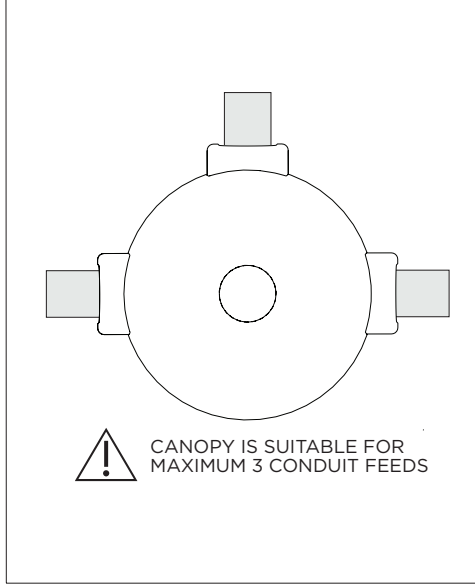
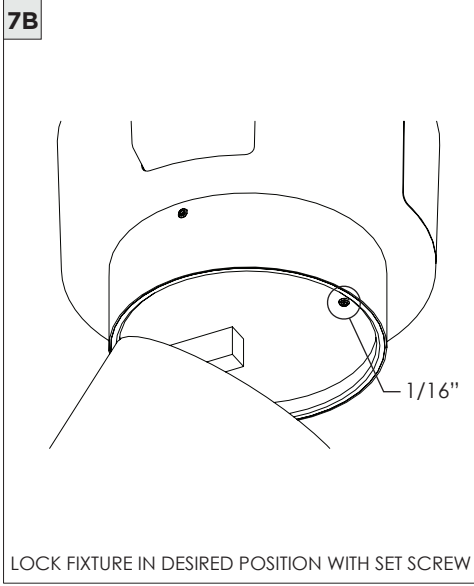
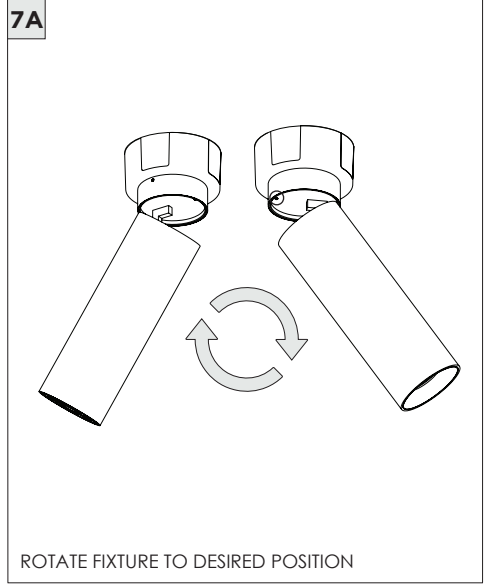
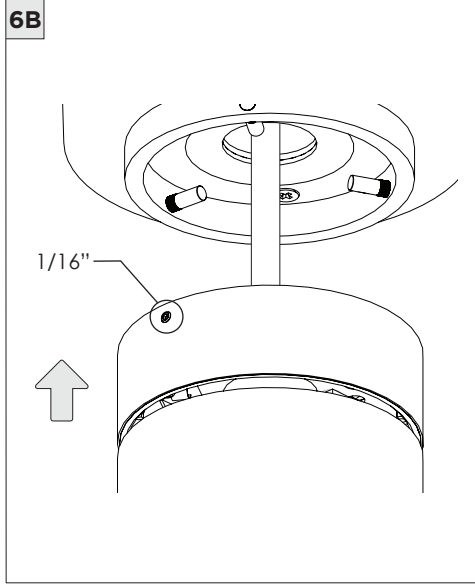
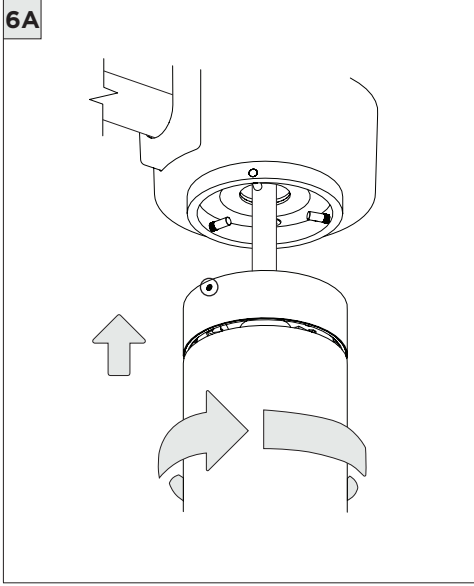
INSTRUCTION KEY	INFORMATION
ADDITIONAL	INSTALLATION SHOULD ONLY BE PERFORMED BY A CERTIFIED ELECTRICIAN
ATTENTION	REFER TO LOCAL/NATIONAL CODES FOR PROPER INSTALLATION
POWER ON	FAILURE TO FOLLOW INSTALLATION INSTRUCTION MAY VOID THE WARRANTY
POWER OFF	DO NOT TOUCH LEDS. LEDS MUST BE PROTECTED FROM MECHANICAL STRESS OR DEBRIS
	TURN OFF POWER DURING INSTALLATION OR SERVICING

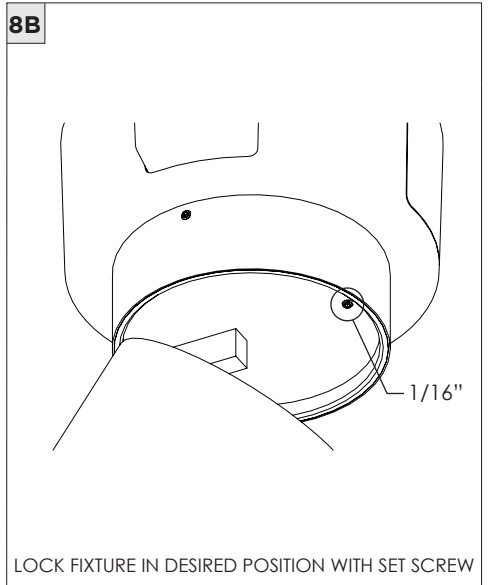
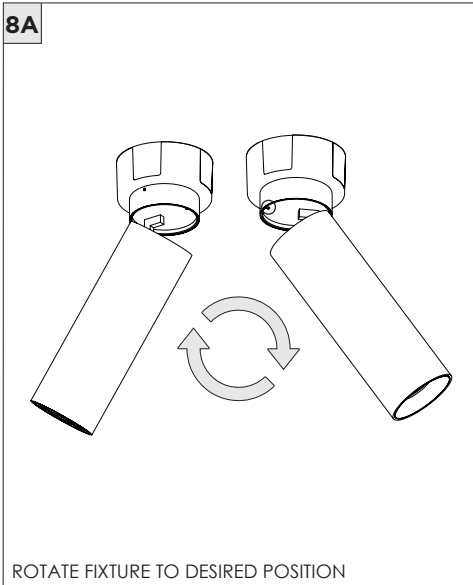
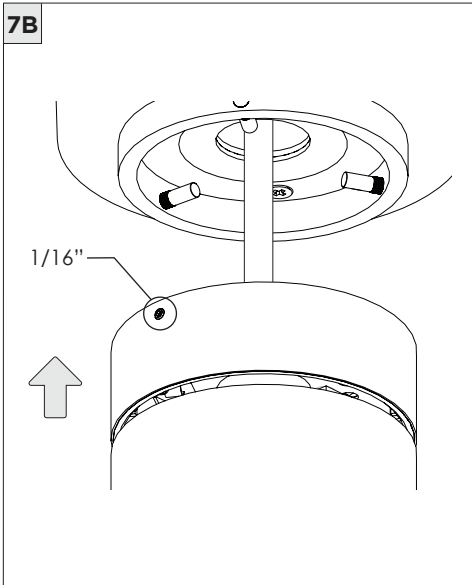
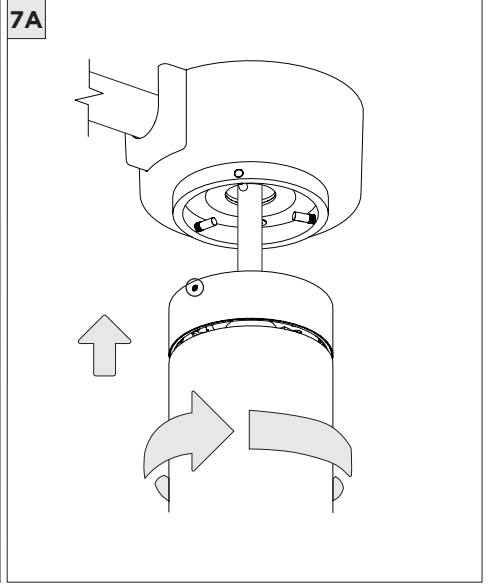
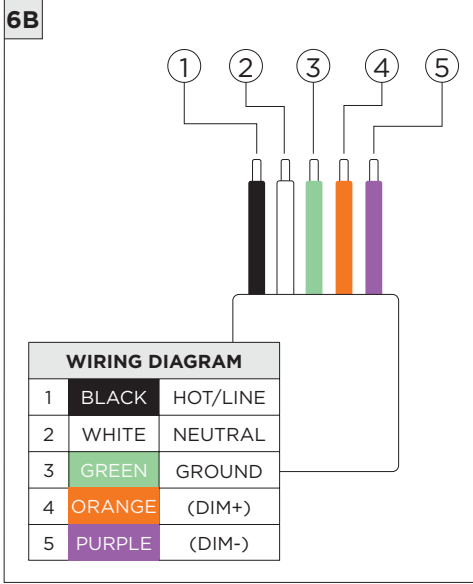
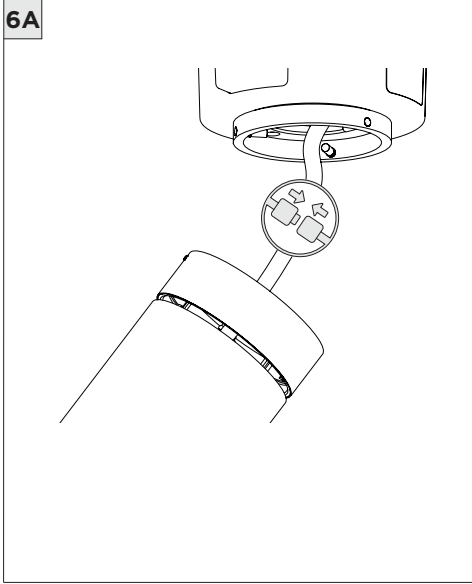




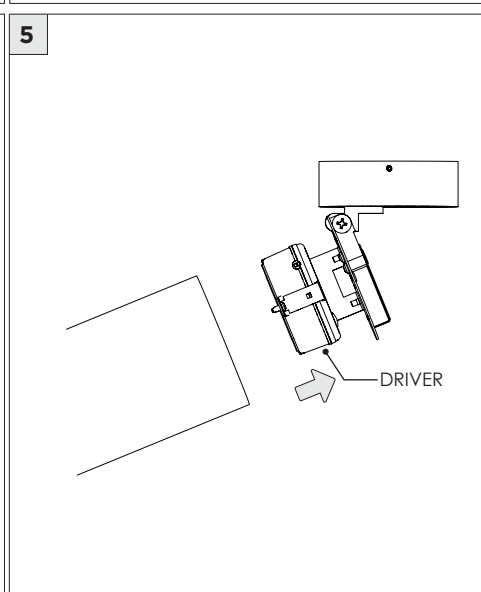
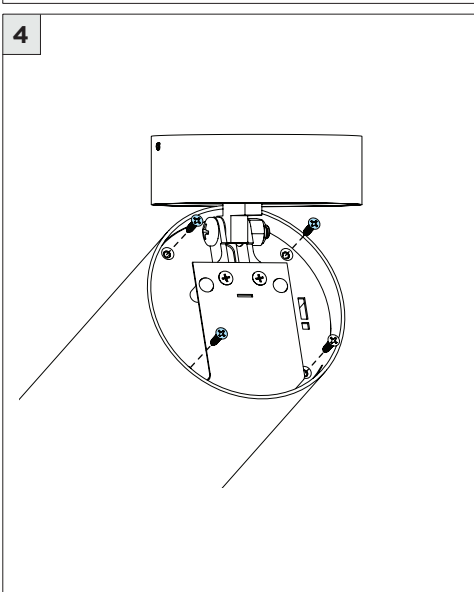
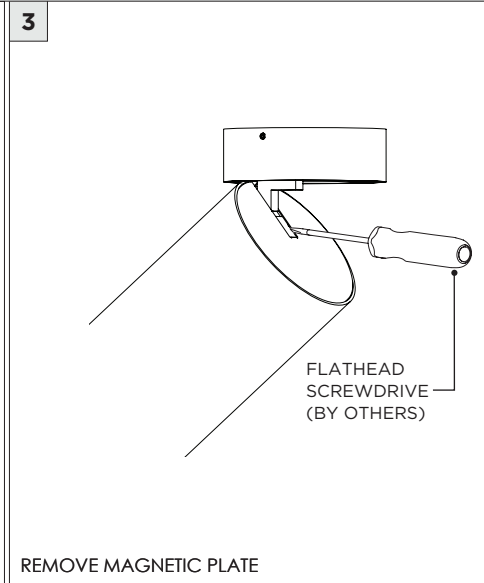
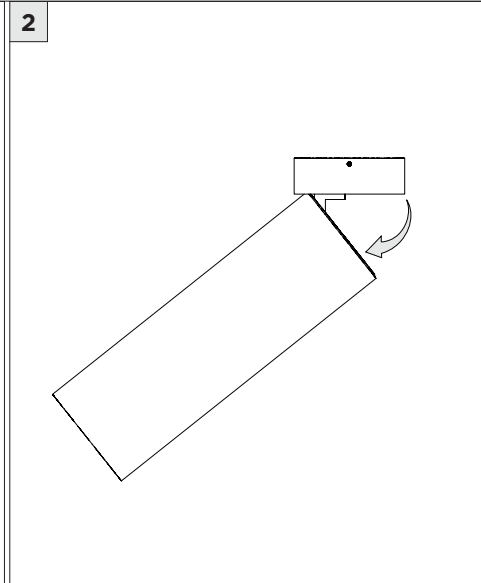
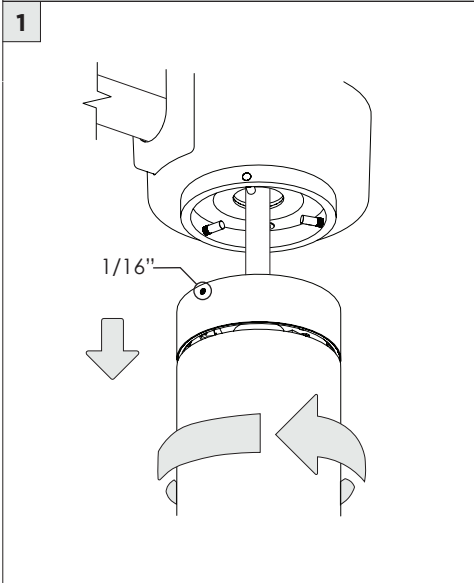




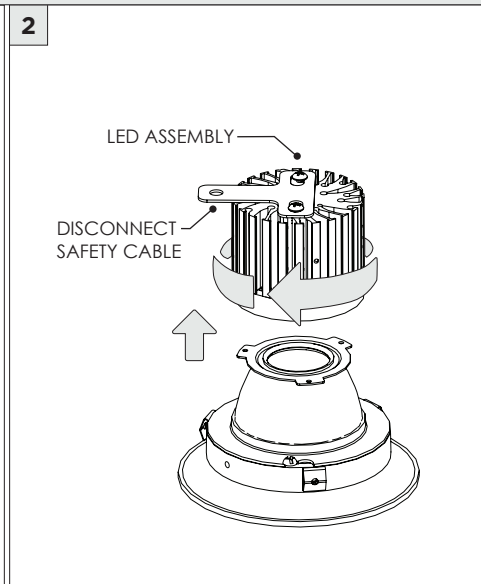
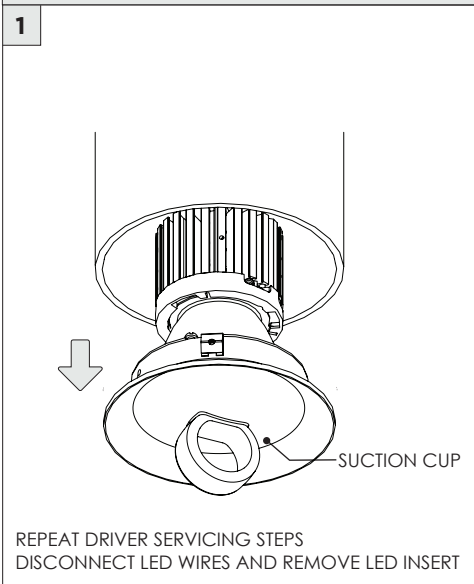




**DRIVER SERVICING**

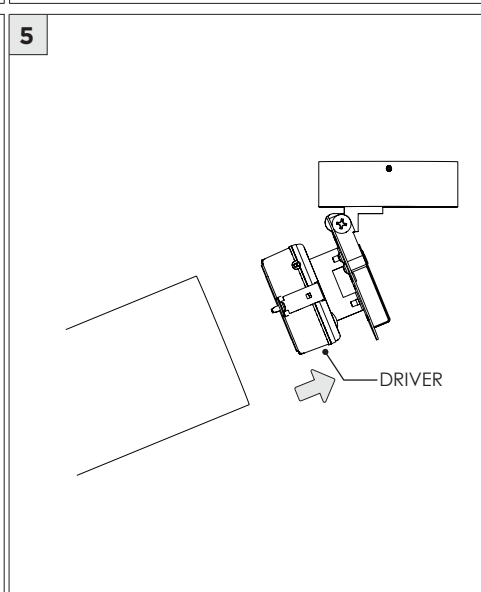
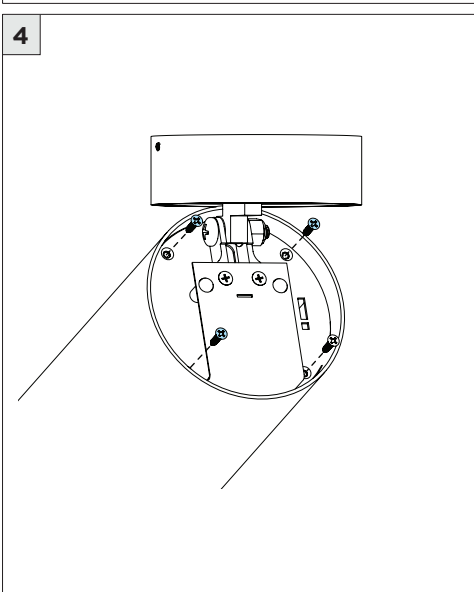
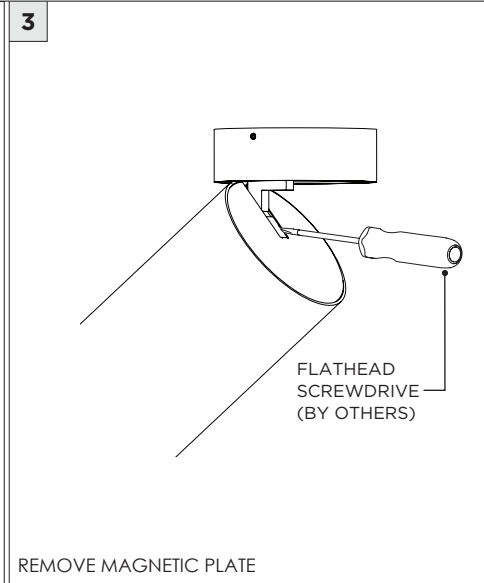
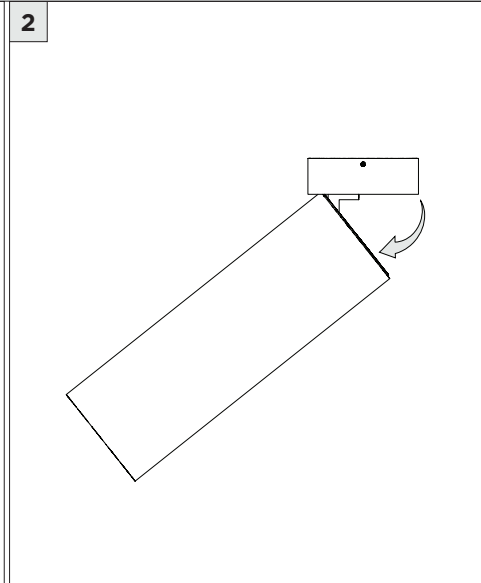
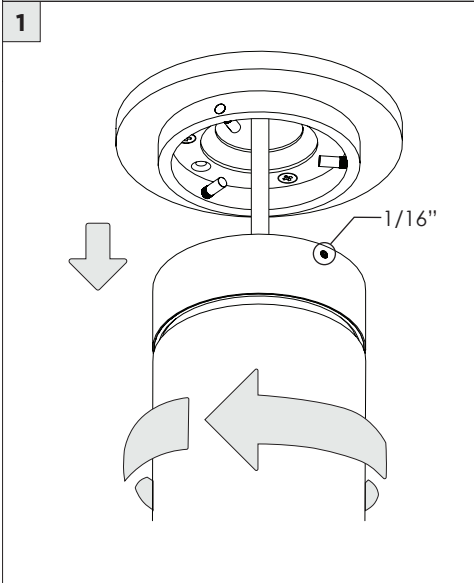


**LED SERVICING**





**DRIVER SERVICING**



**LED SERVICING**

