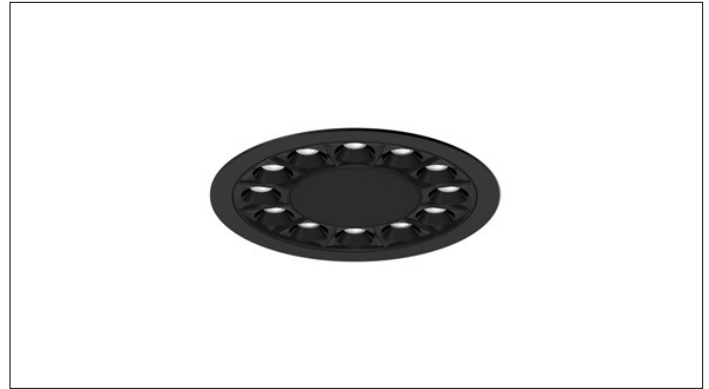




## 3G-DZ45R

4.5" ROUND ZOIE  
DOWNLIGHT



4.5" round, high performance round Zoie downlight  
 Regressed LED source provides maximum visual comfort, UGR <10  
 High gloss black or white louvers with proprietary optics and no glare  
 Lumen range from 1000lm to 4000lm (80+ and 90+ CRI options)  
 Shallow housing available along with remodel and other housing options  
 100-1% dimming range standard with integral driver options

<b>PROJECT:</b>		<b>TYPE:</b>	
<b>CATALOG#:</b>		<b>DATE:</b>	<b>QTY:</b>

CAT. NO	LUMEN OUTPUT	CRI	COLOR TEMP	BEAM ANGLE
<b>3G-DZ45R</b>	<b>10</b> - 1000 LUMENS <b>15</b> - 1500 LUMENS <b>22</b> - 2200 LUMENS <b>30</b> - 3000 LUMENS <b>40</b> - 4000 LUMENS <sup>1</sup>  <small>Lumen outputs are delivered lumens based on 80+ CRI, 3000K source. See performance chart for all options</small>	<b>S80</b> - 80+ CRI <b>H90</b> - 90+ CRI	<b>27K</b> - 2700K <sup>1</sup> <b>30K</b> - 3000K <b>35K</b> - 3500K <b>40K</b> - 4000K <sup>1</sup>	<b>20D</b> - 20° <b>40D</b> - 40° <b>60D</b> - 60°

VOLTAGE	DRIVER	FLANGE TYPE	LOUVER FINISH
<b>UNV</b> - 120/277V <b>120</b> - 120V <b>347</b> - 347V <sup>2</sup>	<b>DIM</b> - 0-10V (STANDARD 100-1%) <b>LE</b> - PHASE DIM (TRIAC/ELV, 100-1%) <sup>3</sup> <b>D01</b> - 0-10V (100-0.1%) <sup>4</sup> <b>DALI</b> - DALI (100-1%) <sup>4</sup> <b>DHL2</b> - LUTRON HI-LUME (1% ECOSYSTEM) <b>DMX</b> - DMX (100-0%) <sup>4</sup>	<b>BT</b> - BLACK TRIM <b>WT</b> - WHITE TRIM <b>ST</b> - SILVER TRIM <b>XTR</b> - TRIMLESS <b>MWF</b> - FLANGELESS (MILLWORK) <sup>5</sup>	<b>BLV</b> - BLACK <b>WLV</b> - WHITE

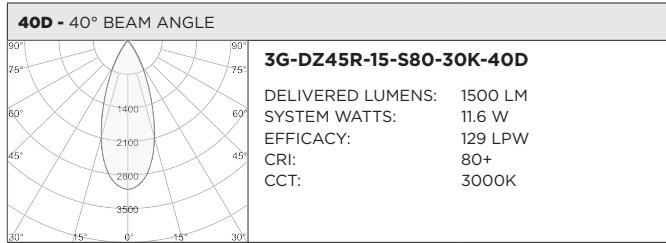
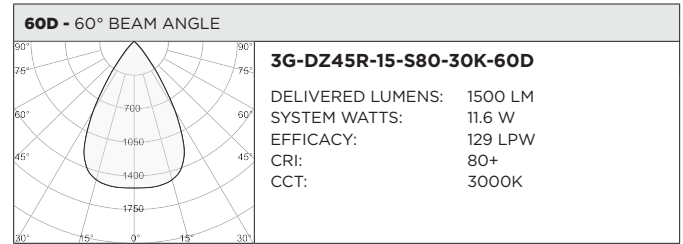
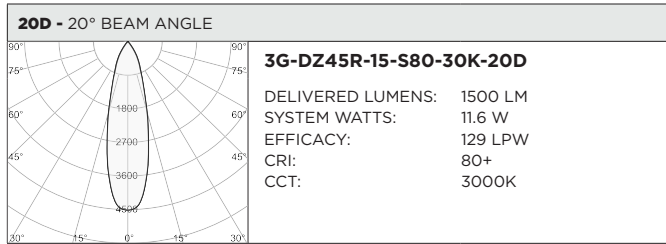
HOUSING TYPE	OPTIONS
<b>RMD</b> - REMODEL (NON-IC) <b>NCF</b> - NEW CONSTRUCTION FRAME (NON-IC) <b>SH</b> - SHALLOW HOUSING (IC RATED) <sup>6</sup> <b>NC</b> - NEW CONSTRUCTION HOUSING <b>IC</b> - NEW CONSTRUCTION IC HOUSING <sup>6</sup>	<b>CP</b> - CHICAGO PLENUM <sup>7</sup> <b>BH</b> - C-CHANNEL BAR HANGERS (FOR NC & IC HOUSINGS ONLY) <b>EMR</b> - EMERGENCY BATTERY (REMOTE) <sup>8</sup>

<sup>1</sup> 4000lm not available in 90CRI. 2700K only available in 90CRI and 4000K only available in 80CRI  
<sup>2</sup> 347V available in 0-10V only (100-1%)  
<sup>3</sup> Phase dimming options available in 120V only  
<sup>4</sup> D01, DALI and DMX available up to 3000lm. DALI-2 (Type 6) provided as standard. Consult factory for DALI Type 8 option  
<sup>5</sup> MWF not available with Remodel (NON-IC)  
<sup>6</sup> IC rated Shallow Housing & New Construction IC housing available up to 3000lm with 80CRI source & 2200lm with 90 CRI source  
<sup>7</sup> Chicago Plenum option available with Shallow Housing (2200lm max) and New Construction Housing  
<sup>8</sup> Emergency battery installed remotely by others. Not accessible through the inside of the fixture

BASED ON 40° BEAM ANGLE, 80CRI AND 3000K SOURCE

80+ CRI			90+ CRI		
DELIVERED LUMENS	SYSTEM WATTS	EFFICACY (LPW)	DELIVERED LUMENS	SYSTEM WATTS	EFFICACY (LPW)
1000	7.5	133	1000	9.3	107
1500	11.6	129	1500	14.3	105
2200	17.1	129	2200	22.0	100
3000	26.0	115	3000	33.6	89
4000	37.7	106	N/A	N/A	N/A

LUMEN OUTPUT MULTIPLIER FOR 80CRI: 27K=N/A, 30K=1.00, 35K=0.98, 40K=1.06  
LUMEN OUTPUT MULTIPLIER FOR 90CRI: 27K=0.80, 30K=0.85, 35K=0.86, 40K=N/A



**HOUSING**

Remodel, new construction frame, shallow housing, and IC housing options available  
Maximum ceiling thickness of 1.5". Consult factory for modifications  
All housing options designed to be easily converted in field to trim or trimless with minimal components  
Housing rated for #12 AWG (4 in, 4 out), 90°C conductors and through branch wiring

**TRIM**

Machined aluminum trim flange with matte powder coated finish and minimal 0.375" overlap

**TRIMLESS**

Mudding flange features a perforated surface for easy mud-in application  
Integral blocking support provided to ensure fixture is properly secured within ceiling structure

**OPTICS**

4.5" aperture with regressed LED source for maximum visual comfort  
High gloss black or white louvers with proprietary optics and no glare  
Polycarbonate multi-faceted reflectors  
Available in 20°, 40° and 60°  
UGR <10

**WARRANTY**

5 Year Warranty on LED and drivers  
Manufacturer 1 Year Warranty for defects in material and workmanship under normal use  
Ambient temperature at fixture should not exceed 25°C

**ELECTRICAL**

Standard 0-10V, constant current drivers with 100-1% dimming range and >0.9 power factor  
120V Forward Phase/Reverse Phase driver option with 100-1% dimming range  
Standard 120/277V universal voltage with several driver options  
All drivers are integral and easily accessible through luminaire aperture

**LED SYSTEM**

Osram LED source  
Color consistency <2 SDCM  
80+ and 90+ CRI  
Available in 27K, 30K, 35K, and 40K  
L90 >60,000 hours  
5 year warranty

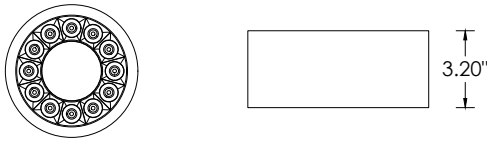
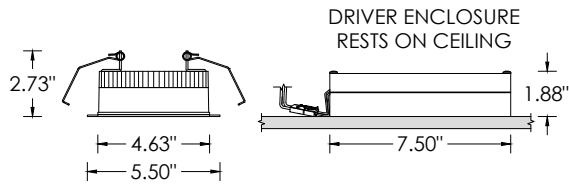
**MOUNTING**

Trim fixture designed for use in drywall, wood, acoustic, and other architectural ceilings  
Trimless fixture designed for use in drywall, mud-in ceiling applications  
Recommended ceiling cut-out for all housing options (5 1/8" diameter). Millwork Flangeless (4.780" diameter)  
Bar hangers (14" to 26" extension) ship only with new construction frame and shallow housings  
Optional C-channel bar hangers available for new construction (NC) and IC housings (IC)

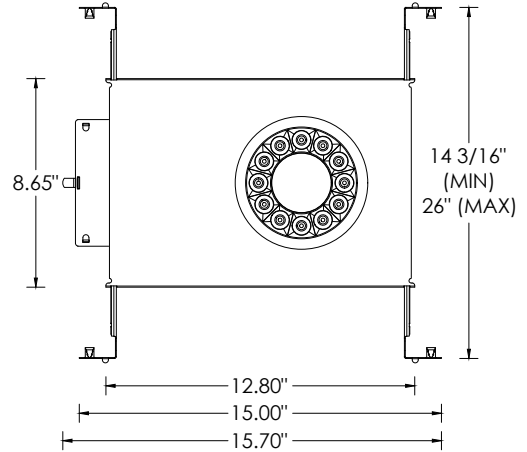
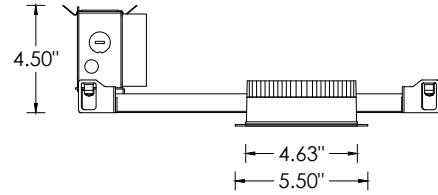
**LISTING**

ETL listed and conforms to UL1598 standard. Certified to CSA22.2 No.250.0. Rated for indoor locations

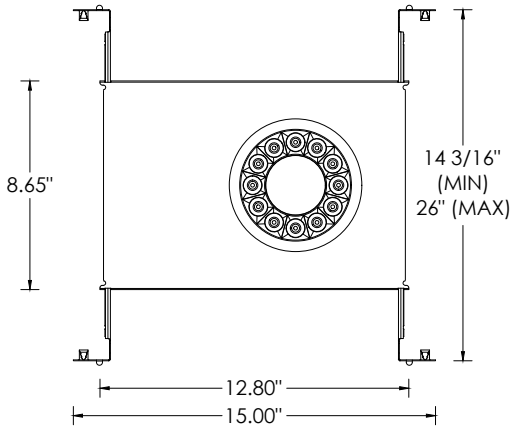
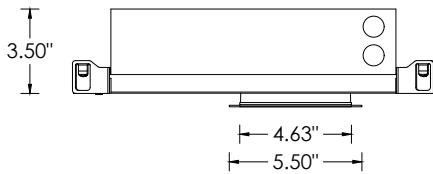
**RMD - REMODEL (NON-IC)**



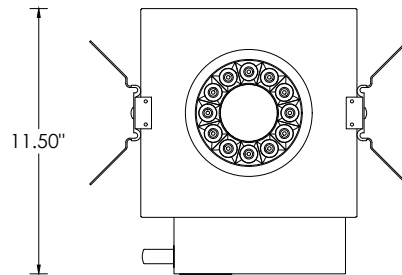
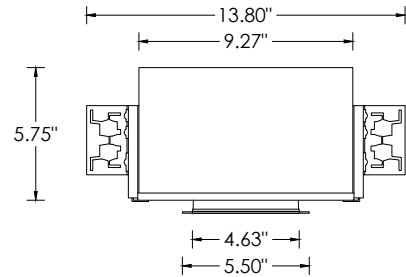
**NCF - NEW CONSTRUCTION FRAME (NON-IC)**



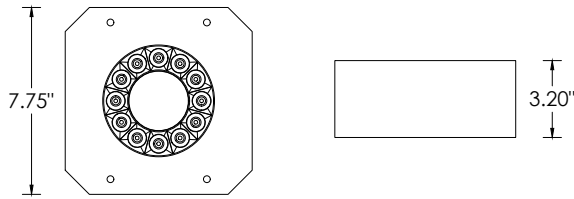
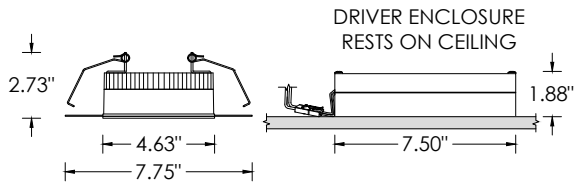
**SH - SHALLOW HOUSING (IC AND CP RATED) (3000LM MAX)**  
(SHIPS WITH BAR HANGERS)



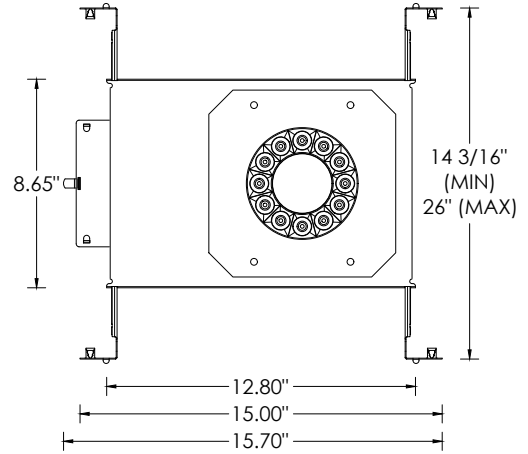
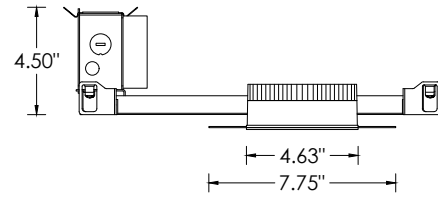
**NC - NEW CONSTRUCTION HOUSING (NON-IC AND CP RATED)**  
**IC - NEW CONSTRUCTION IC HOUSING (3000LM MAX)**



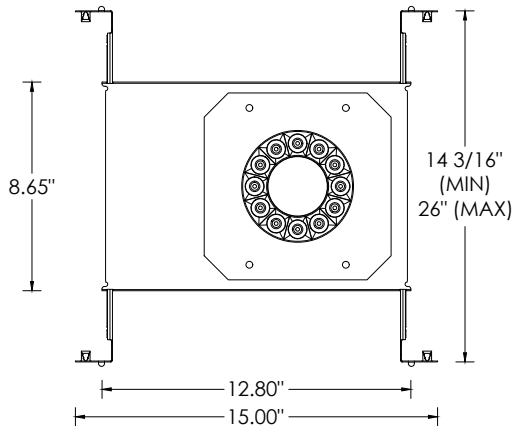
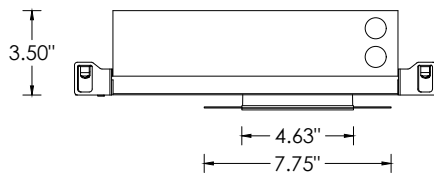
**RMD - REMODEL (NON-IC)**



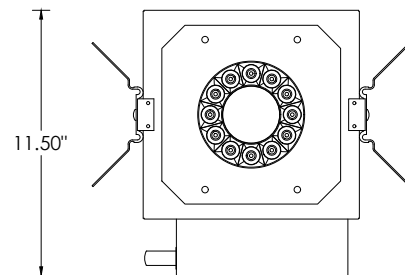
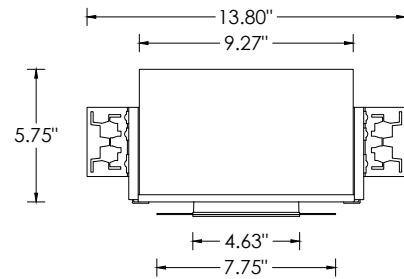
**NCF - NEW CONSTRUCTION FRAME (NON-IC)**



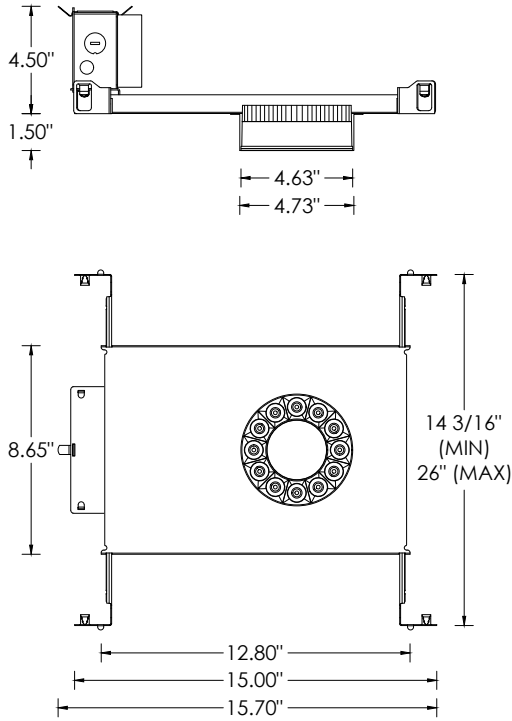
**SH - SHALLOW HOUSING (IC AND CP RATED) (3000LM MAX)**  
(SHIPS WITH BAR HANGERS)



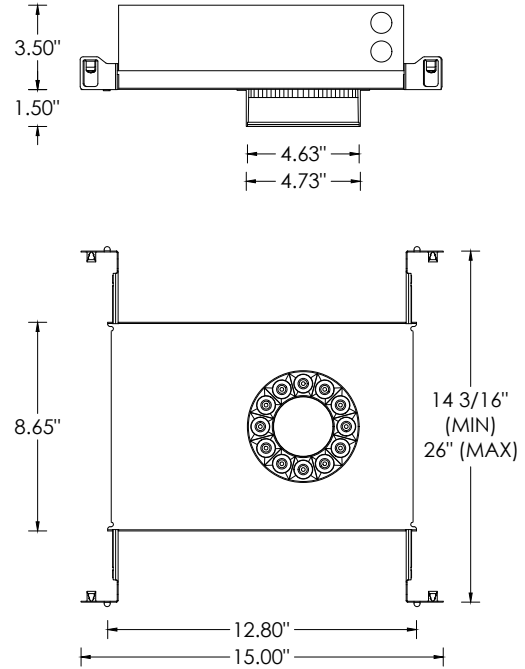
**NC - NEW CONSTRUCTION HOUSING (NON-IC AND CP RATED)**  
**IC - NEW CONSTRUCTION IC HOUSING (3000LM MAX)**



**NCF - NEW CONSTRUCTION FRAME (NON-IC)**



**SH - SHALLOW HOUSING (IC AND CP RATED) (3000LM MAX)  
(SHIPS WITH BAR HANGERS)**



**NC - NEW CONSTRUCTION HOUSING (NON-IC AND CP RATED)  
IC - NEW CONSTRUCTION IC HOUSING (3000LM MAX)**

