

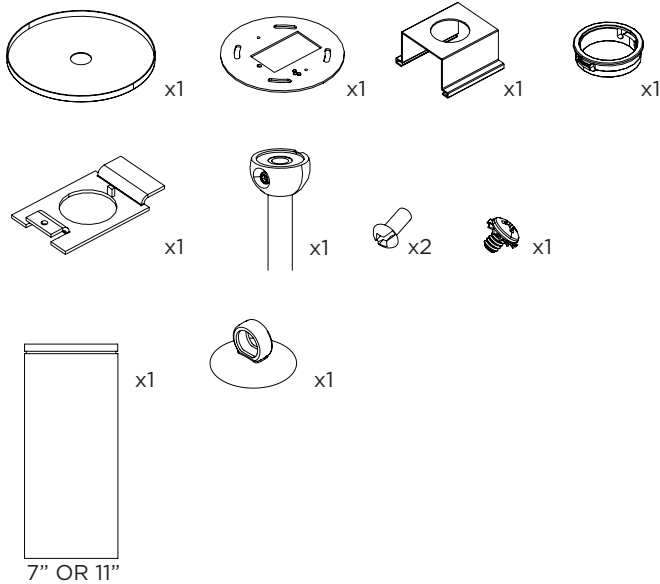
## 4.5" WALLWASH CYLINDER - PENDANT

STEM PENDANT MOUNT

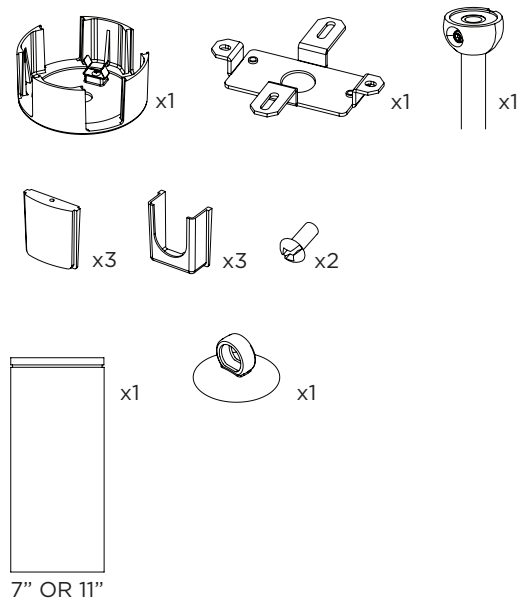


### COMPONENTS

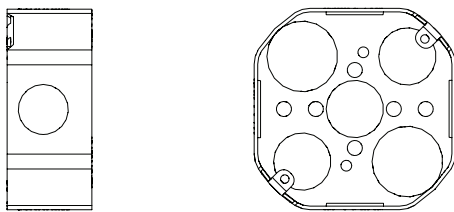
#### STANDARD CANOPY



#### CONDUIT FEED CANOPY

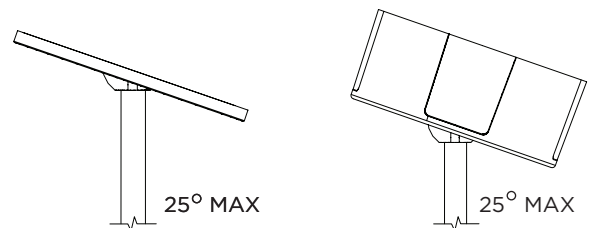


#### 4" OCTAGONAL J-BOX REQUIRED FOR INSTALLATION



JUNCTION BOX (BY OTHERS)

#### SUITABLE FOR SLOPED CEILING



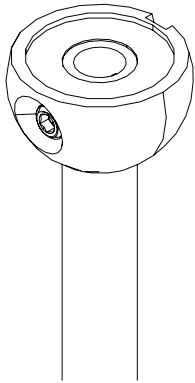
#### INSTRUCTION KEY

#### INFORMATION

- ADDITIONAL
- ATTENTION
- POWER ON
- POWER OFF

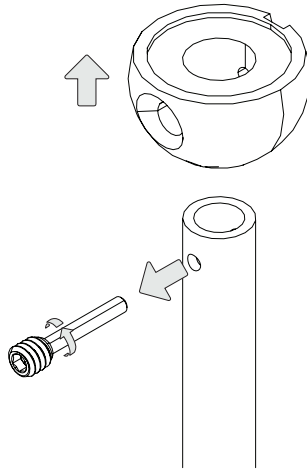
INSTALLATION SHOULD ONLY BE PERFORMED BY A CERTIFIED ELECTRICIAN  
 REFER TO LOCAL/NATIONAL CODES FOR PROPER INSTALLATION  
 FAILURE TO FOLLOW INSTALLATION INSTRUCTION MAY VOID THE WARRANTY  
 DO NOT TOUCH LEDS. LEDS MUST BE PROTECTED FROM MECHANICAL STRESS OR DEBRIS  
 TURN OFF POWER DURING INSTALLATION OR SERVICING

1A

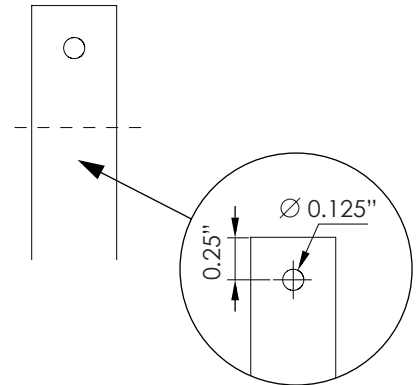


 CUT STEM LENGTH  
IF APPLICABLE

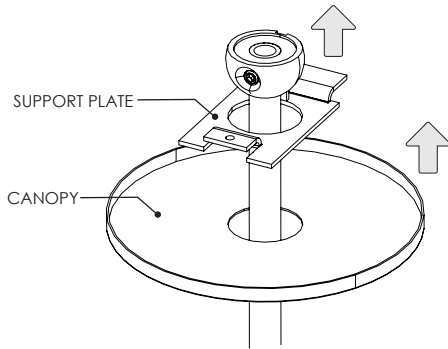
1B



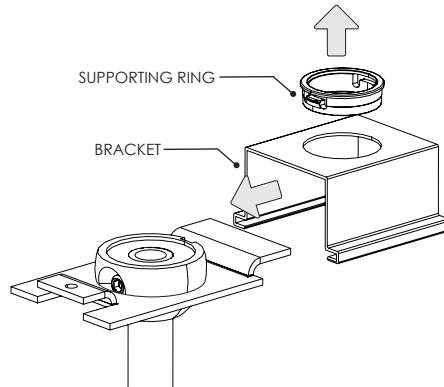
1C



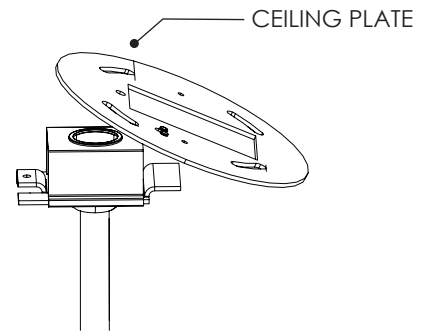
2



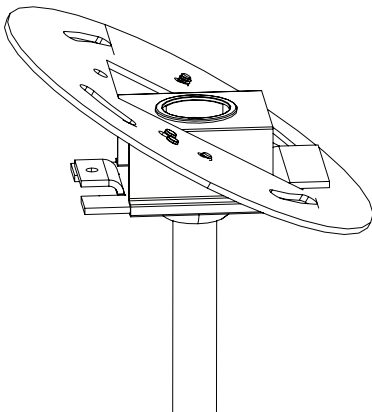
3



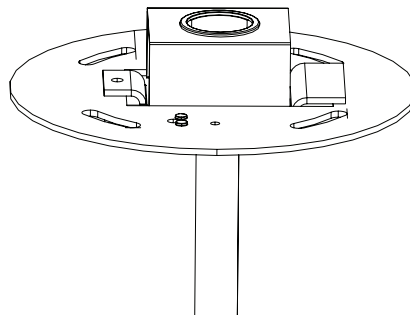
4A



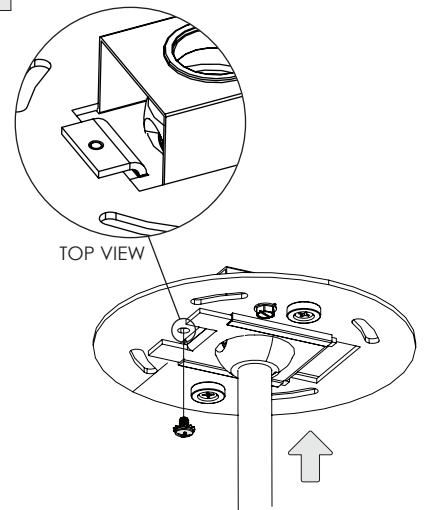
4B



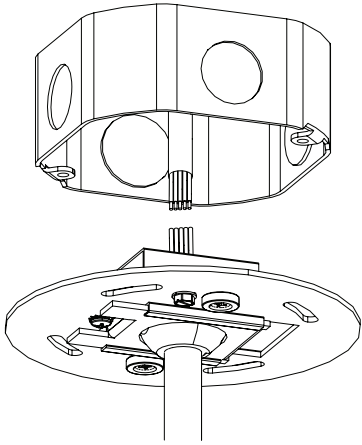
4C



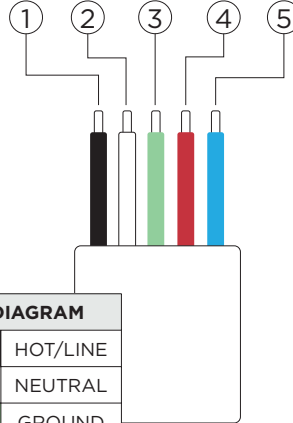
5



6A

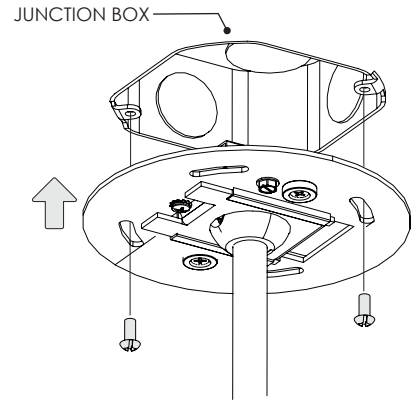


6B

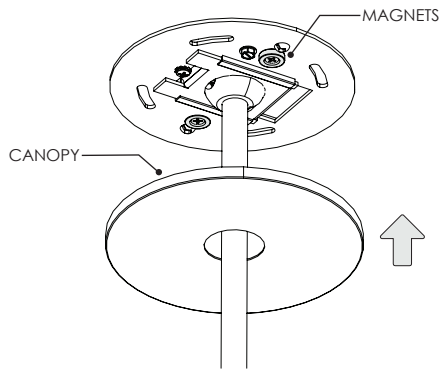


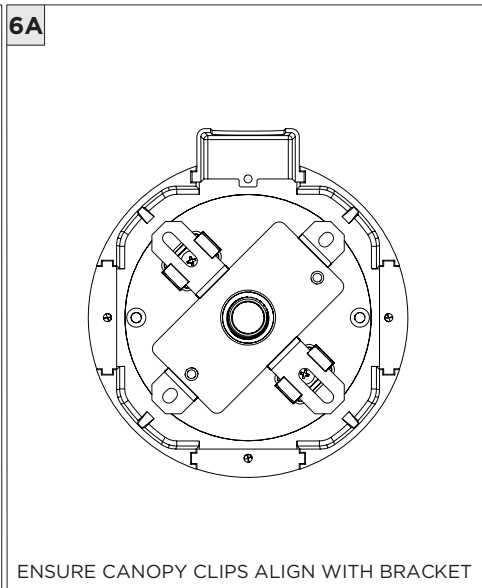
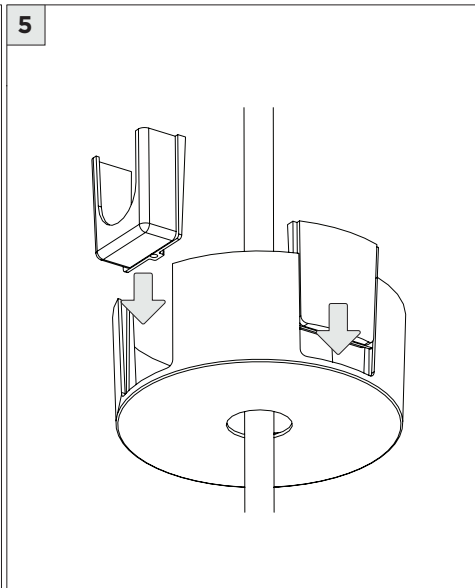
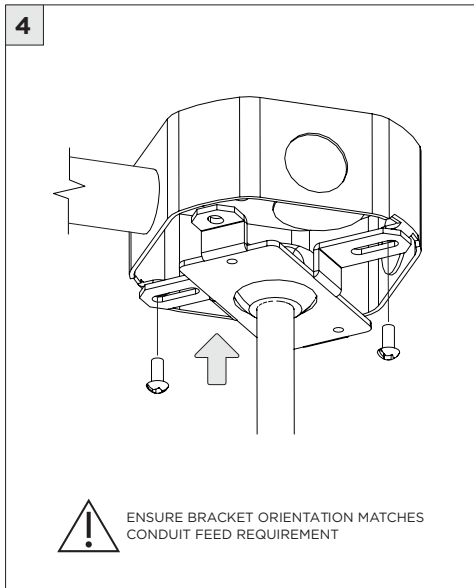
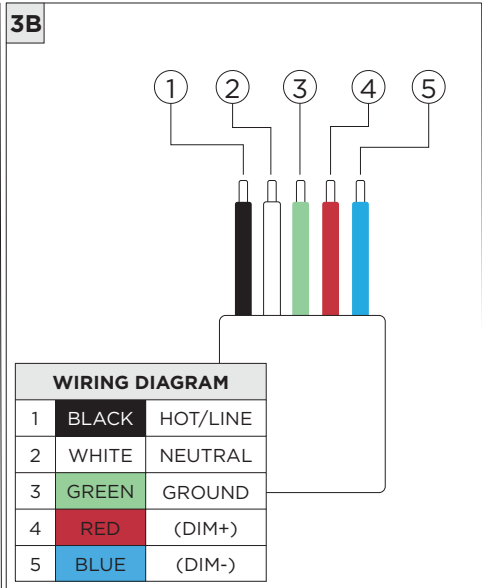
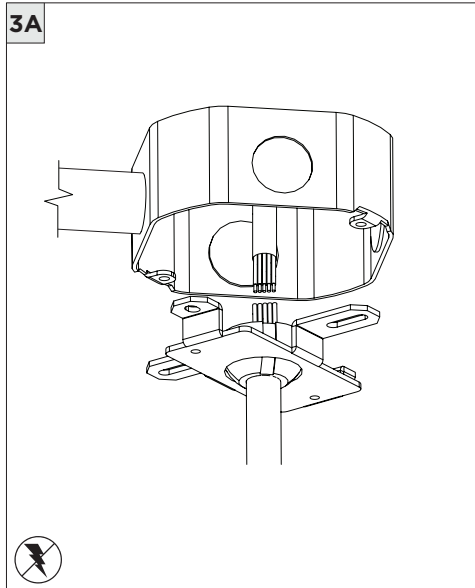
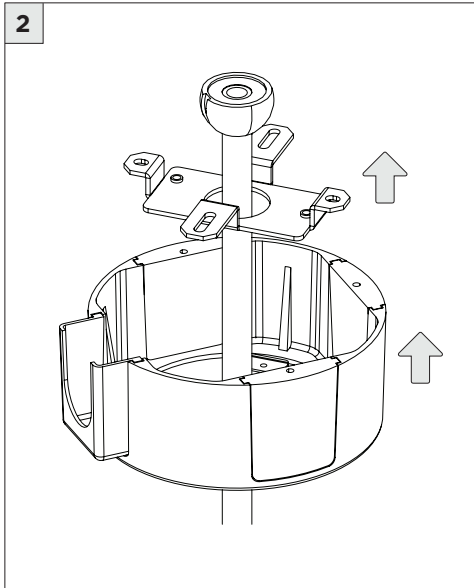
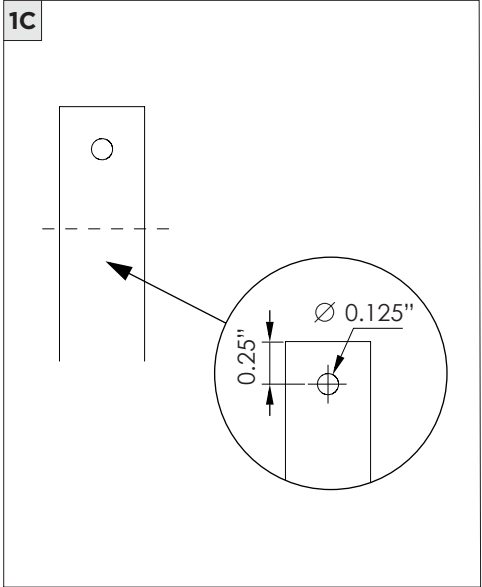
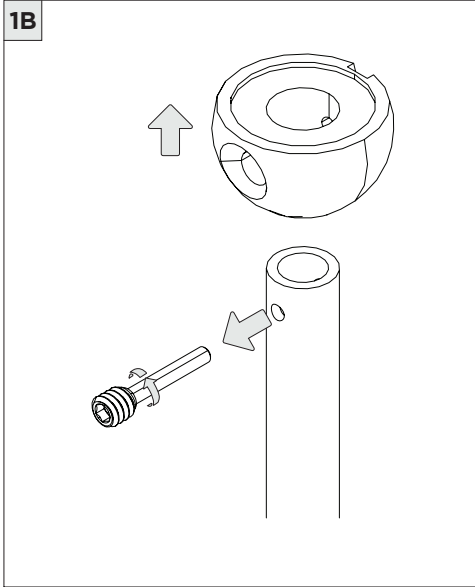
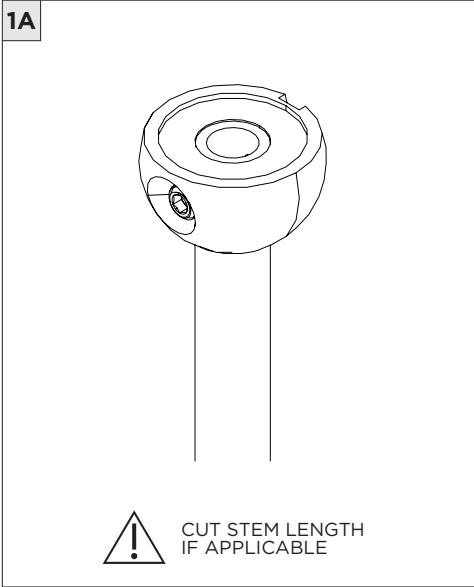
| WIRING DIAGRAM |       |          |
|----------------|-------|----------|
| 1              | BLACK | HOT/LINE |
| 2              | WHITE | NEUTRAL  |
| 3              | GREEN | GROUND   |
| 4              | RED   | (DIM+)   |
| 5              | BLUE  | (DIM-)   |

7

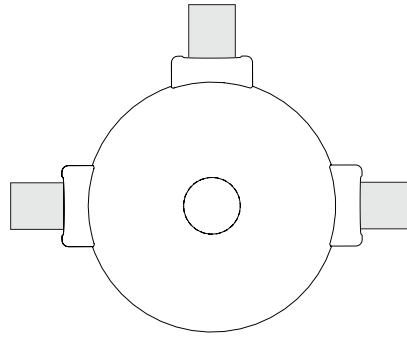
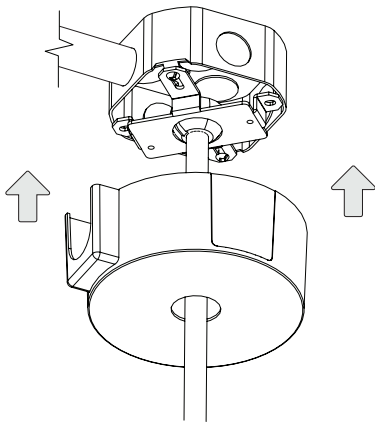


8

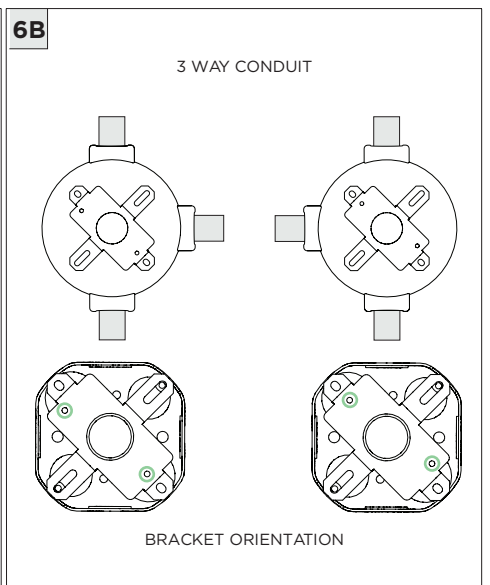
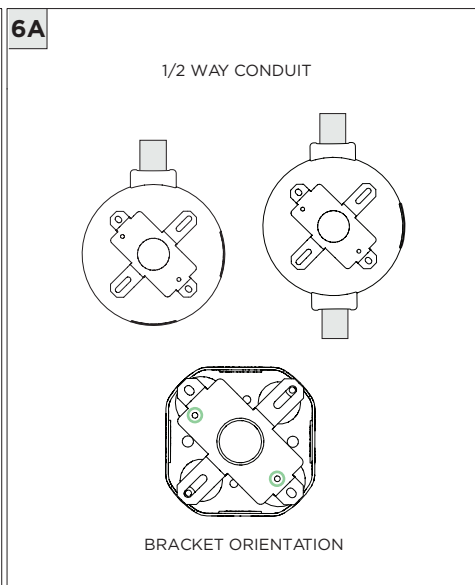
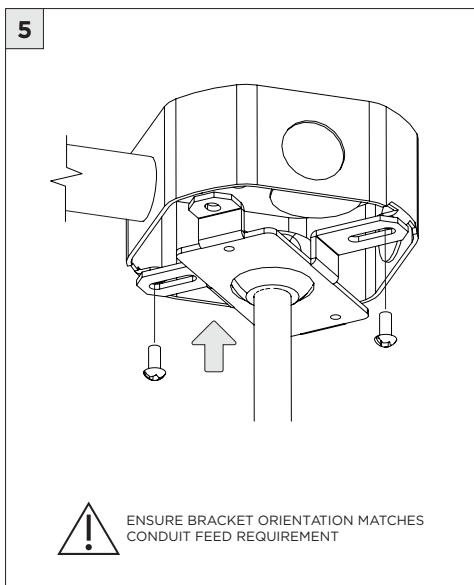
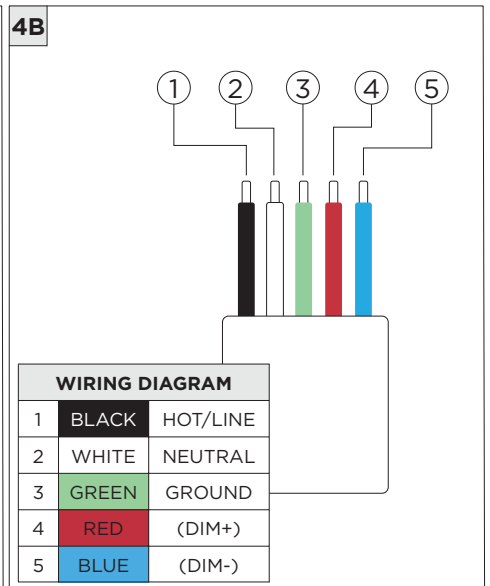
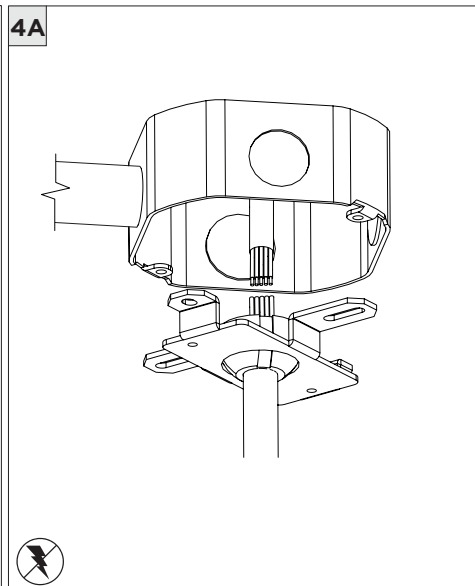
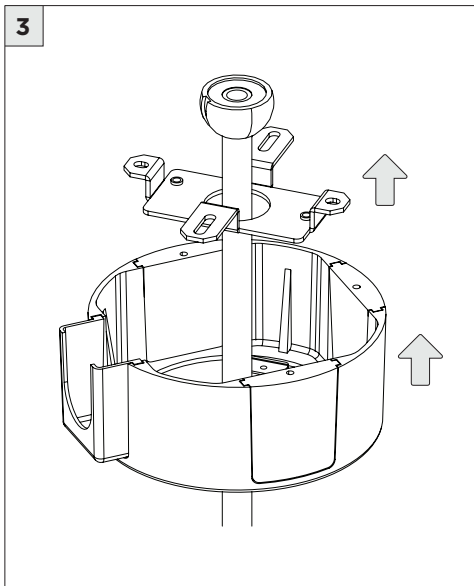
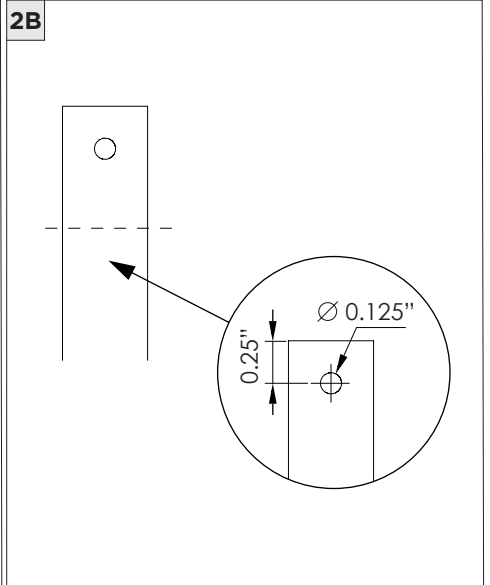
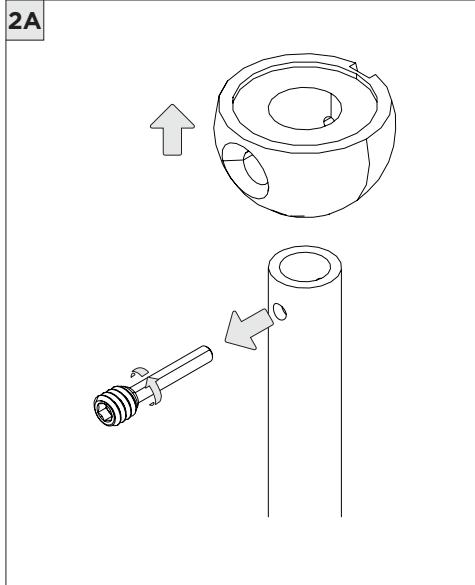
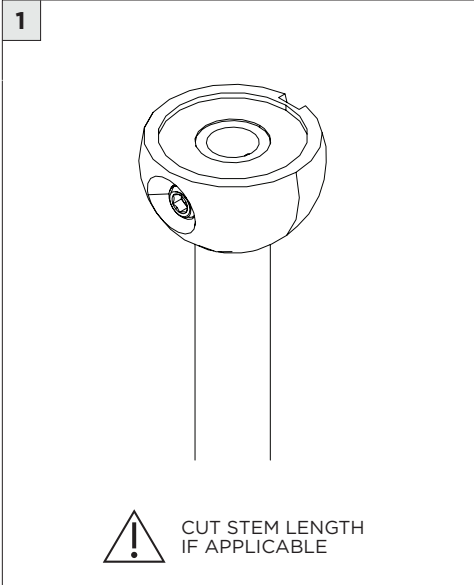




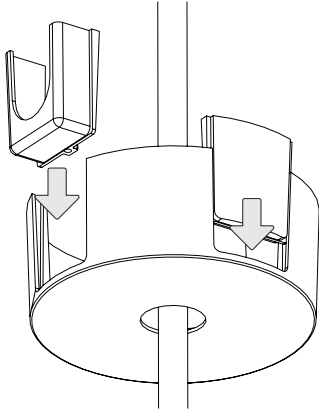
6B



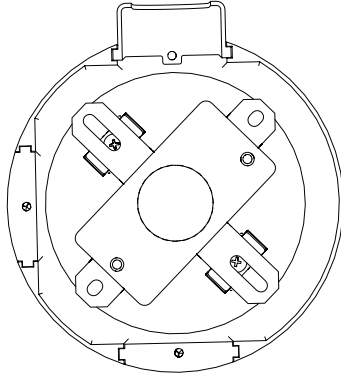
CANOPY IS SUITABLE FOR  
MAXIMUM 3 CONDUIT FEEDS



7

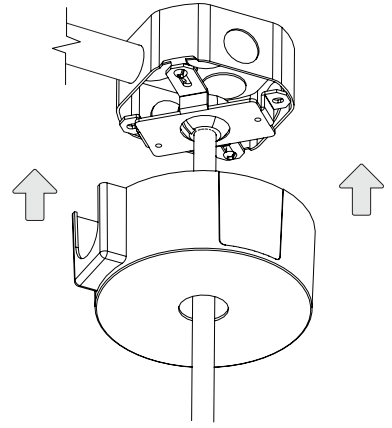


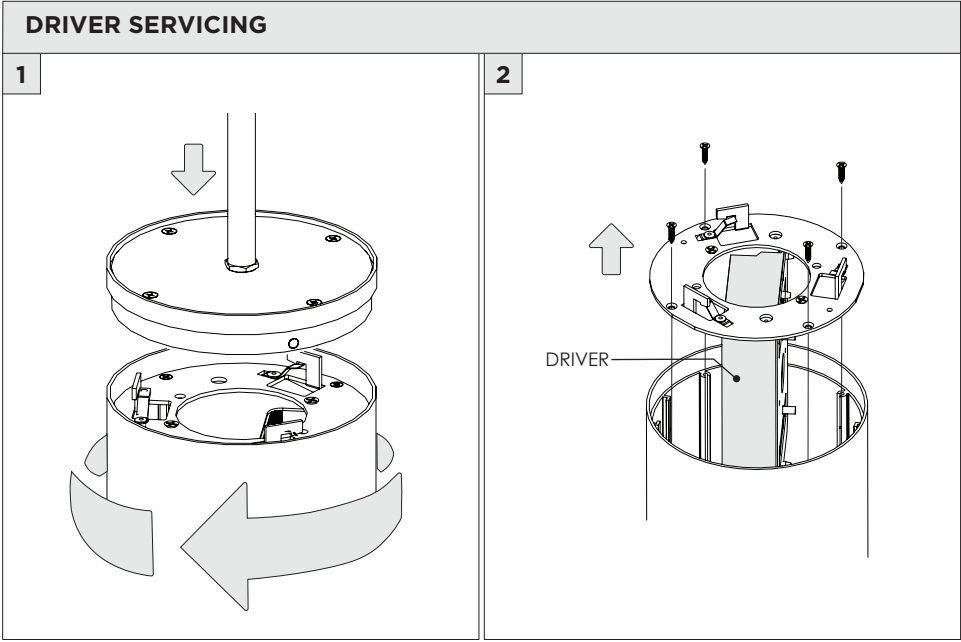
8



ENSURE CANOPY CLIPS ALIGN WITH BRACKET

9







**LED SERVICING**

**1**

SUCTION CUP

**2**

POWER CABLE

ENSURE TO DISCONNECT POWER CABLE

**3**

INSERT ASSEMBLY

**4** REPLACE LED ASSEMBLY

LED ASSEMBLY

REFLECTOR

THREADED RING

**5**

NEW LED ASSEMBLY

THREADED RING

**6**

ENSURE THE HEAT SINK IS ALIGNED WITH INSERT ASSEMBLY AND FULLY TIGHTEN THE THREADED RING

**7**

2200 LUMEN LED ASSEMBLY

FOR 2200 LUMEN FIXTURES

**7A**

**8**

POWER CABLE

EXACT LED MODEL MAY VARY