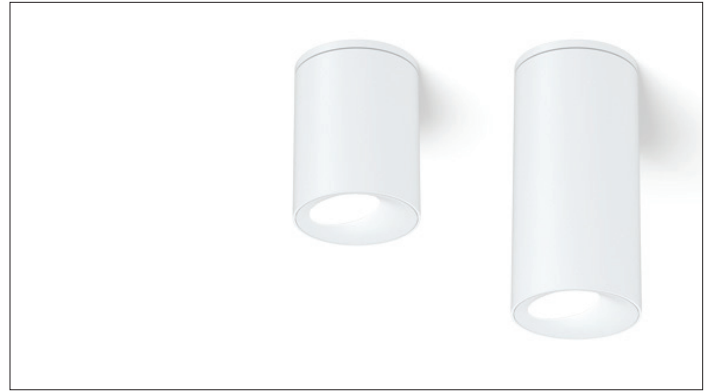


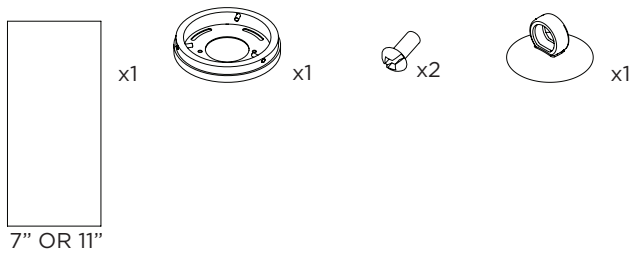
4.5" WALLWASH CYLINDER

SURFACE MOUNT

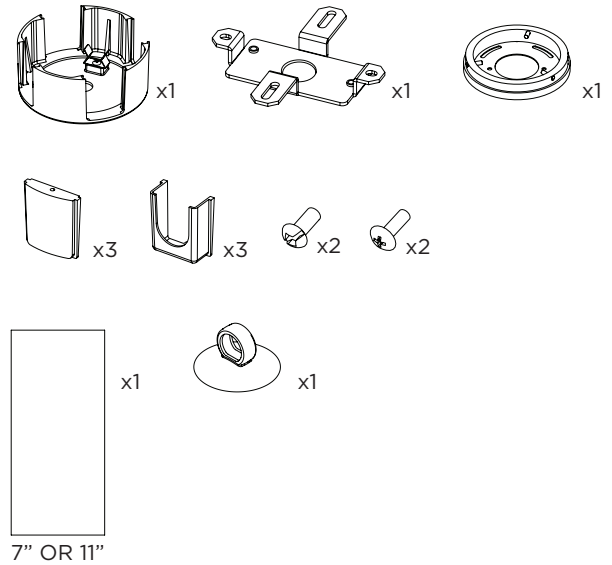


COMPONENTS

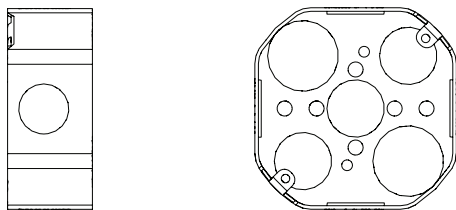
STANDARD CANOPY



CONDUIT FEED CANOPY



4" OCTAGONAL J-BOX REQUIRED FOR INSTALLATION



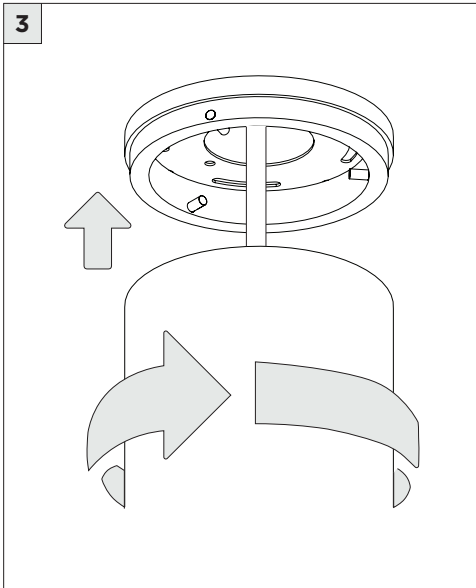
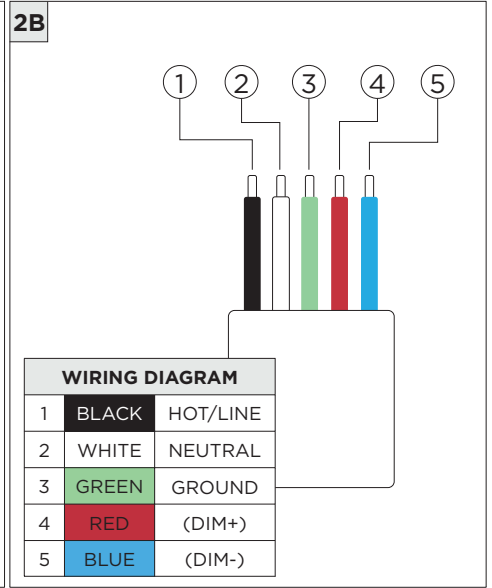
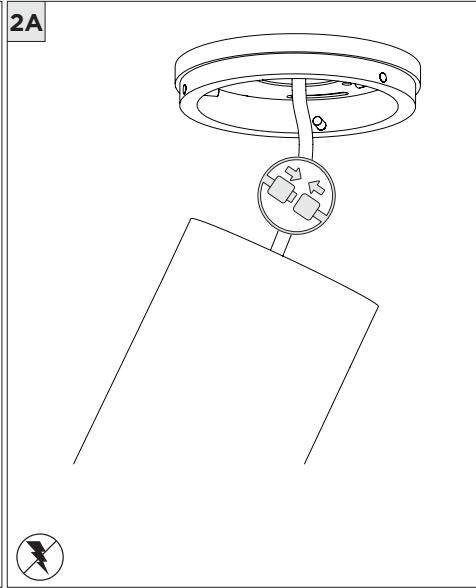
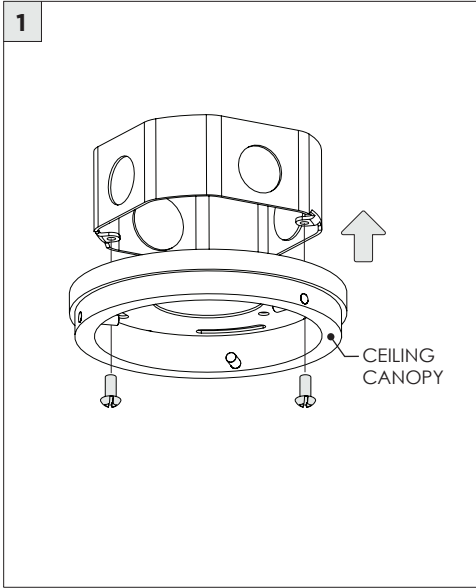
JUNCTION BOX (BY OTHERS)

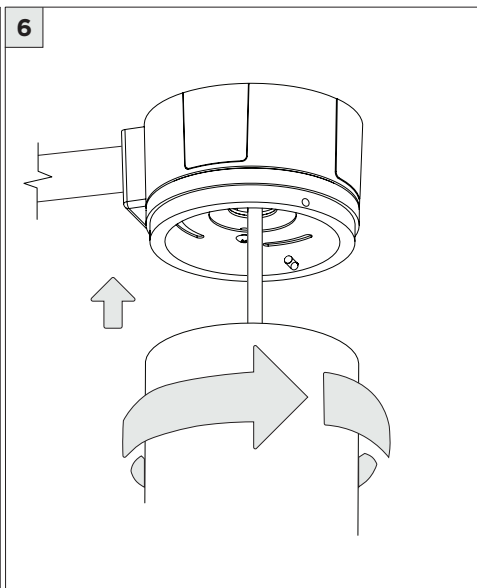
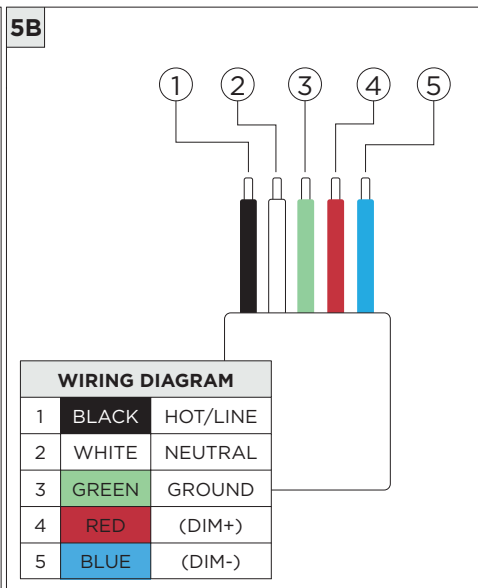
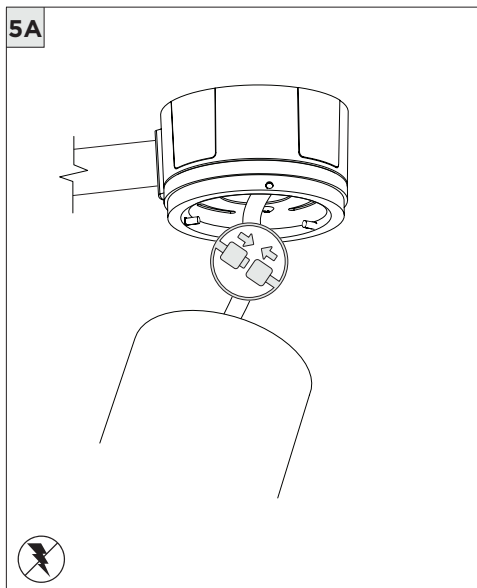
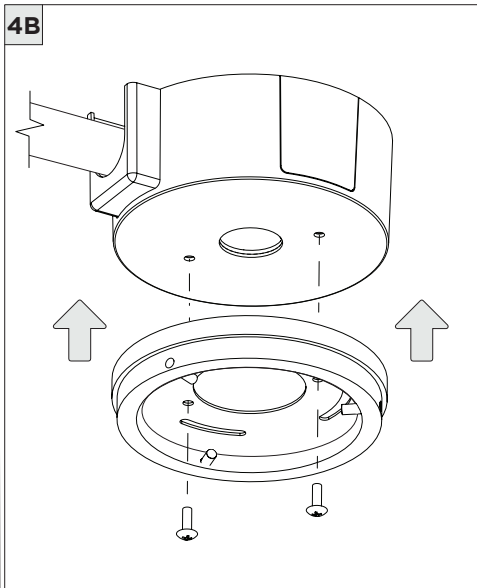
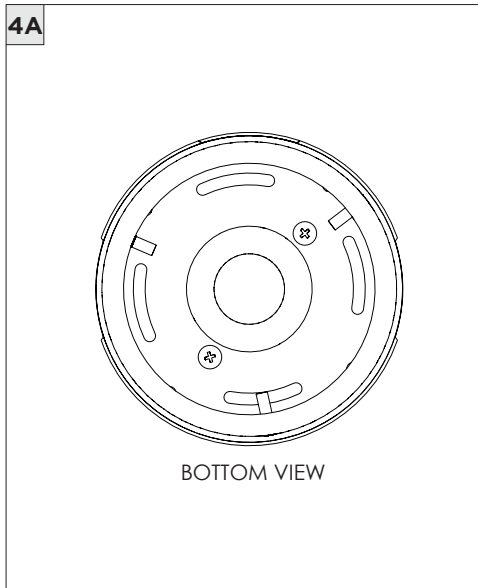
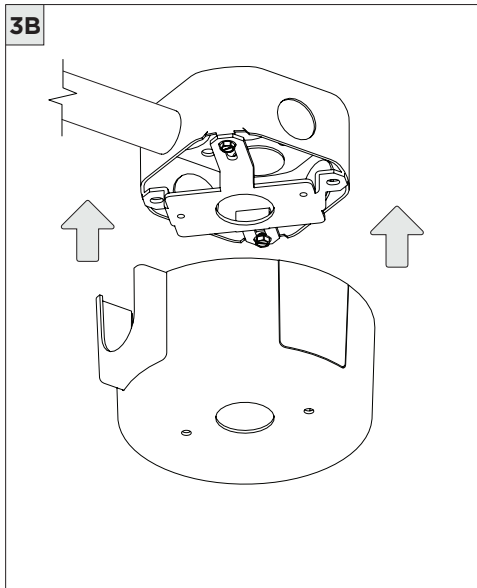
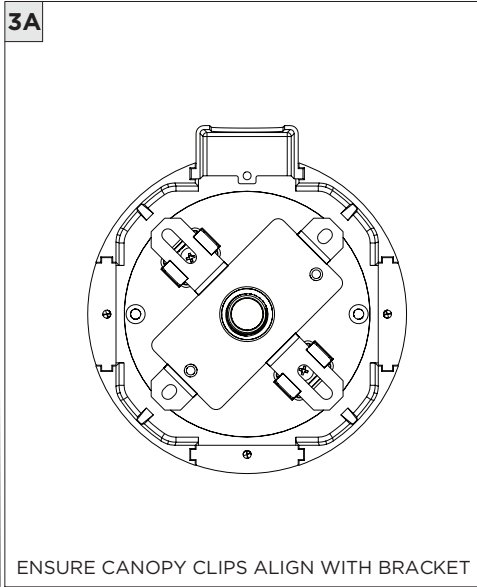
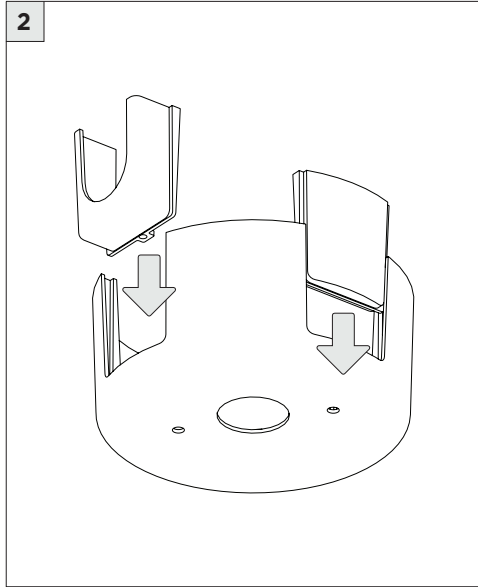
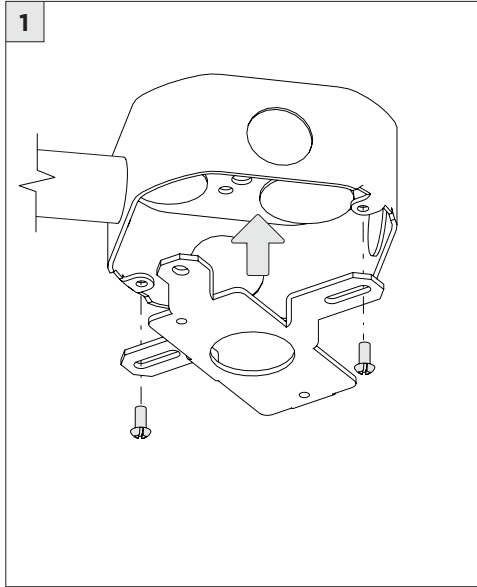
INSTRUCTION KEY

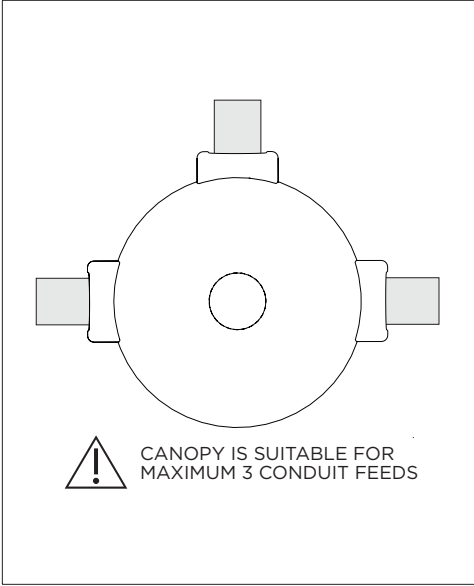
INFORMATION

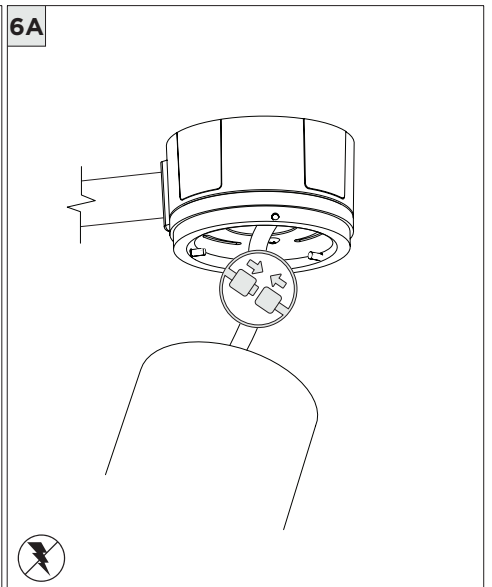
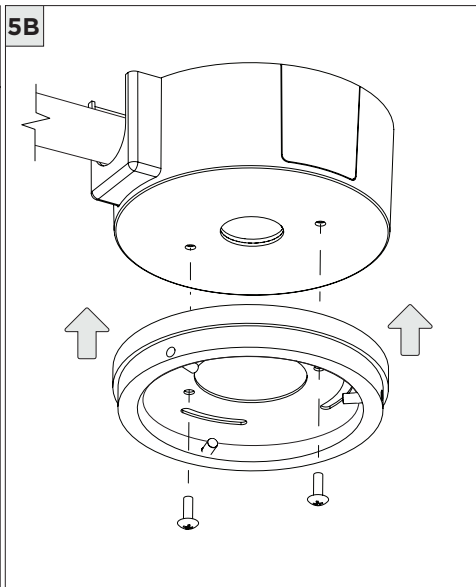
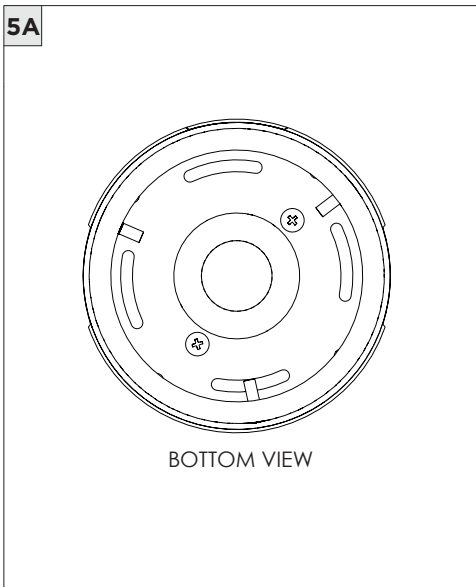
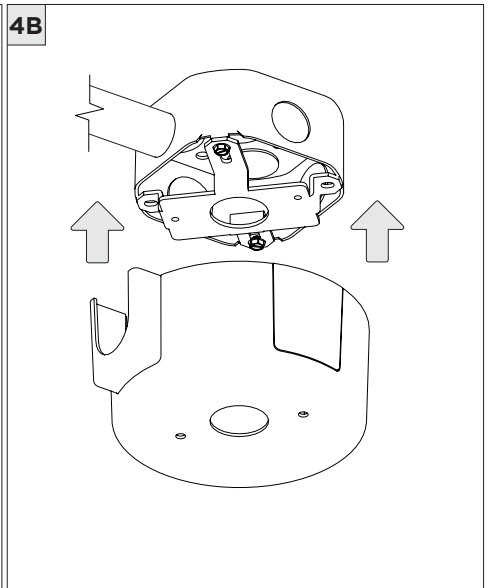
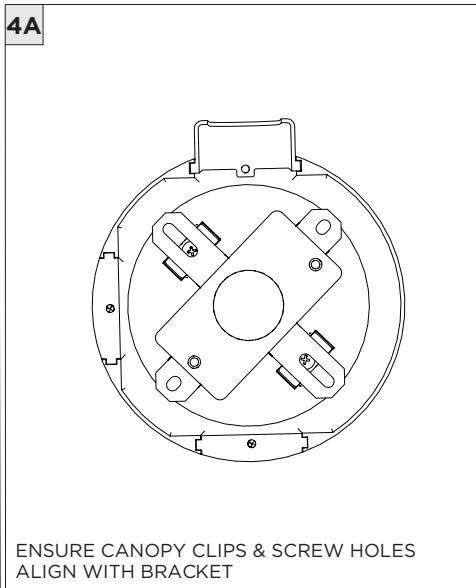
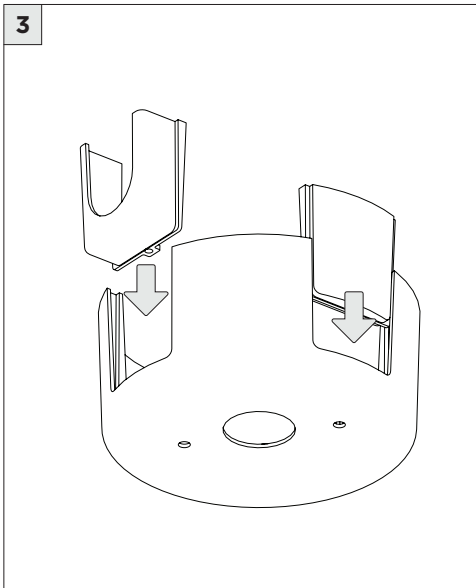
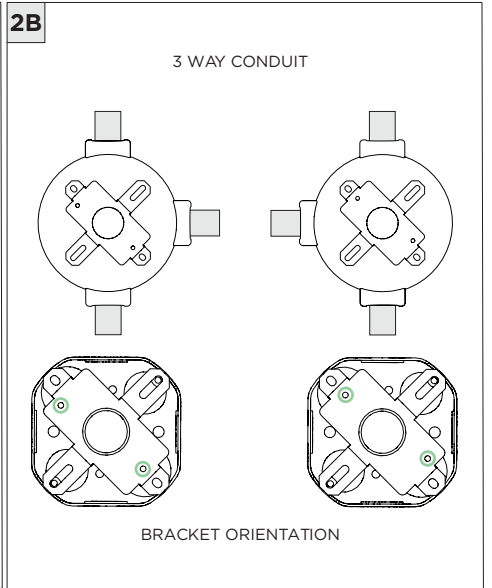
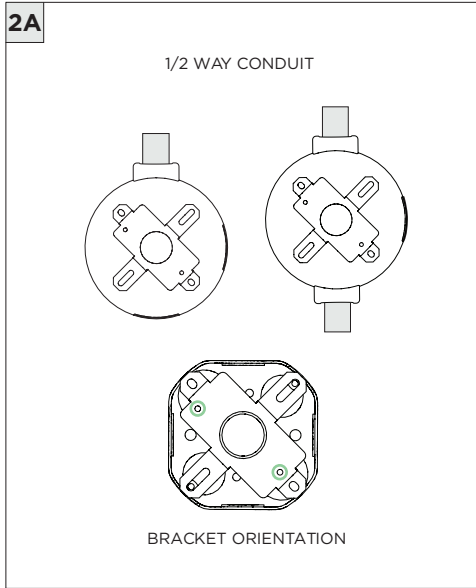
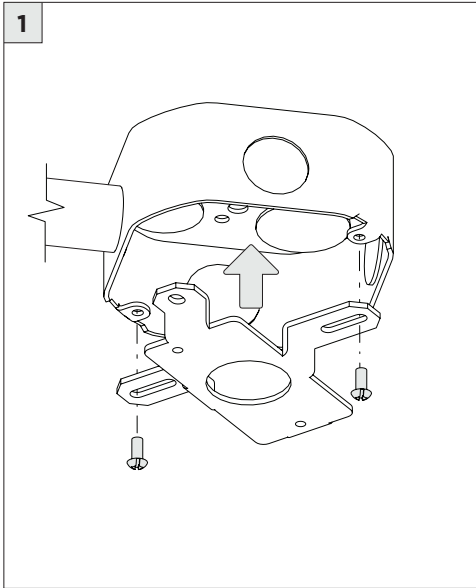
- ADDITIONAL
- ATTENTION
- POWER ON
- POWER OFF

INSTALLATION SHOULD ONLY BE PERFORMED BY A CERTIFIED ELECTRICIAN
 REFER TO LOCAL/NATIONAL CODES FOR PROPER INSTALLATION
 FAILURE TO FOLLOW INSTALLATION INSTRUCTION MAY VOID THE WARRANTY
 DO NOT TOUCH LEDS. LEDS MUST BE PROTECTED FROM MECHANICAL STRESS OR DEBRIS
 TURN OFF POWER DURING INSTALLATION OR SERVICING

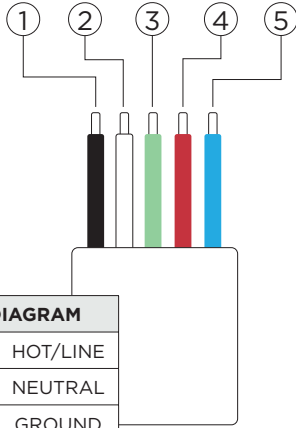






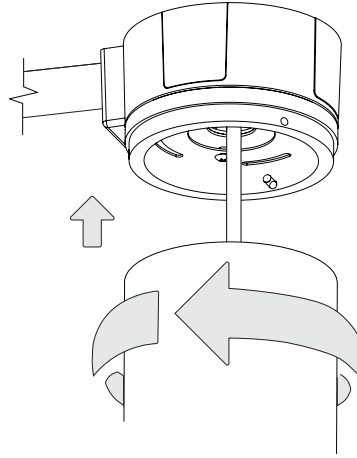


6B



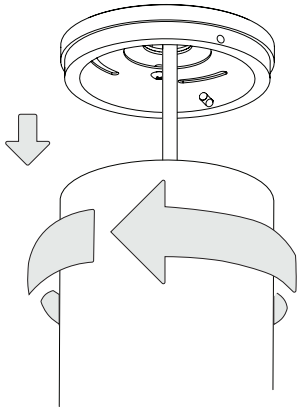
WIRING DIAGRAM		
1	BLACK	HOT/LINE
2	WHITE	NEUTRAL
3	GREEN	GROUND
4	RED	(DIM+)
5	BLUE	(DIM-)

7

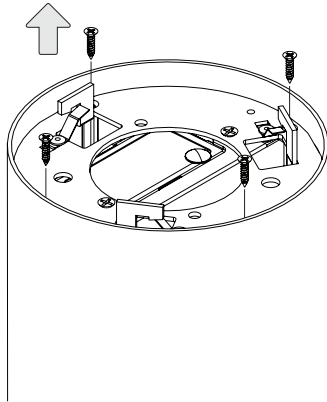


DRIVER SERVICING

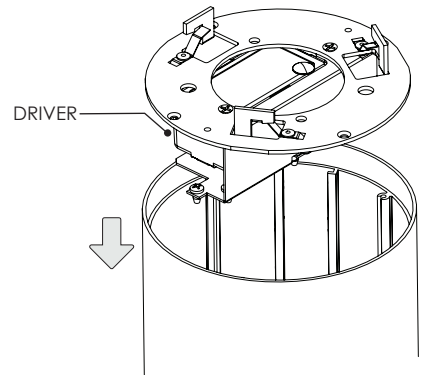
1



2

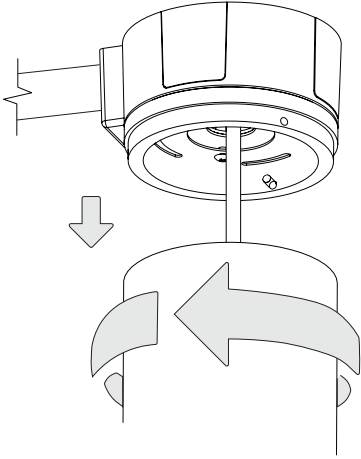


2

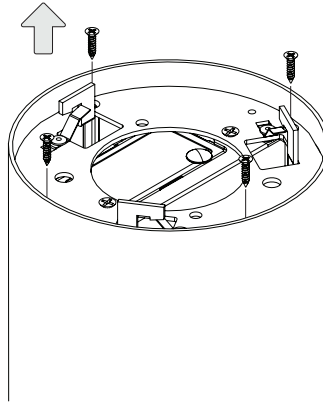


DRIVER SERVICING

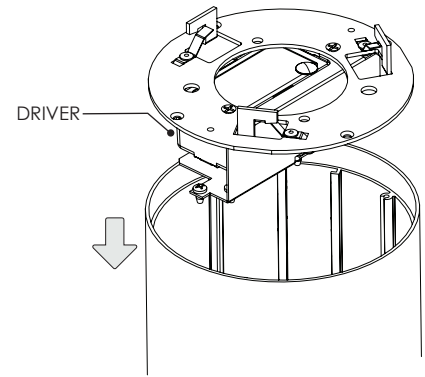
1



2

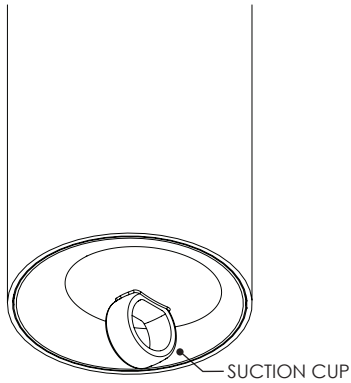


2



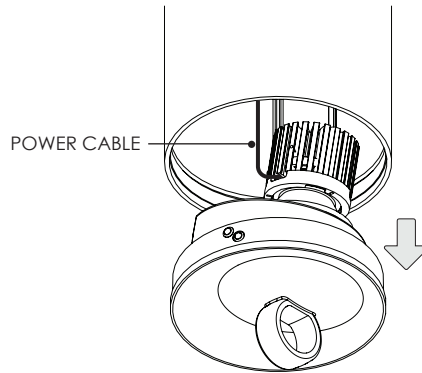
LED SERVICING

1



SUCTION CUP

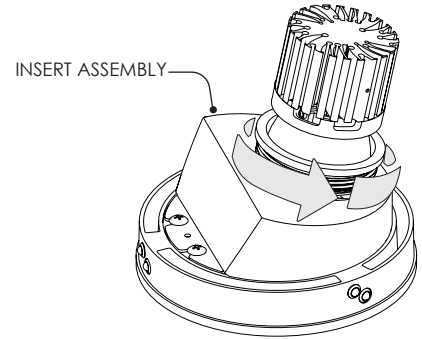
2



POWER CABLE

ENSURE TO DISCONNECT POWER CABLE

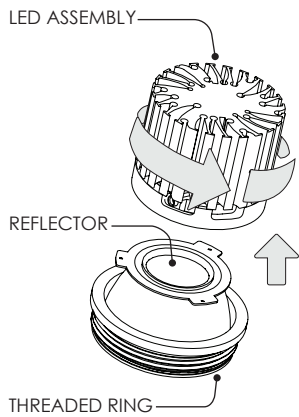
3



INSERT ASSEMBLY

4

REPLACE LED ASSEMBLY

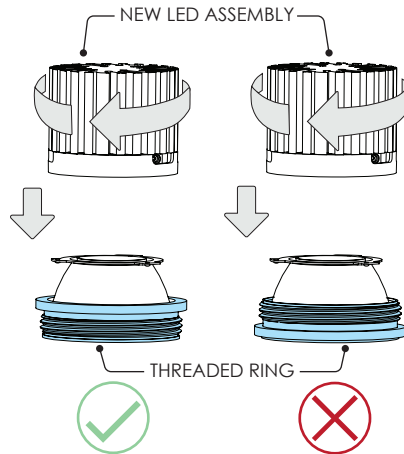


LED ASSEMBLY

REFLECTOR

THREADED RING

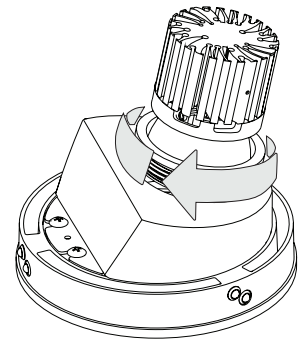
5



NEW LED ASSEMBLY

THREADED RING

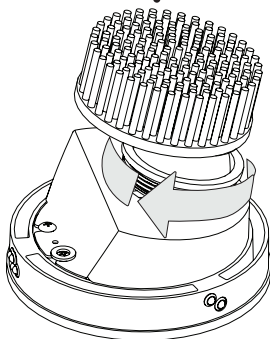
6



ENSURE THE HEAT SINK IS ALIGNED WITH INSERT ASSEMBLY AND FULLY TIGHTEN THE THREADED RING

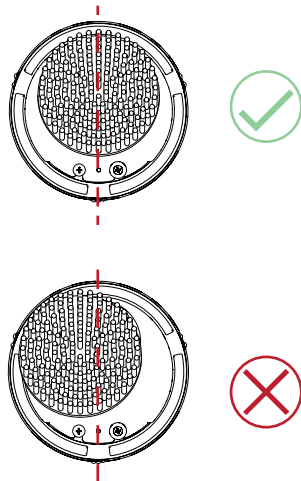
7

2200 LUMEN
LED ASSEMBLY

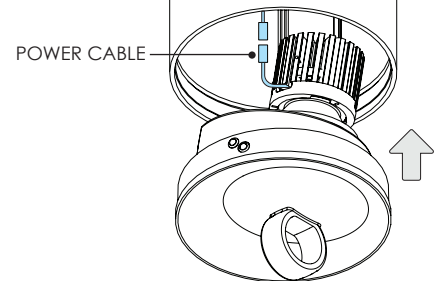


FOR 2200 LUMEN FIXTURES

7A



8



POWER CABLE

EXACT LED MODEL MAY VARY