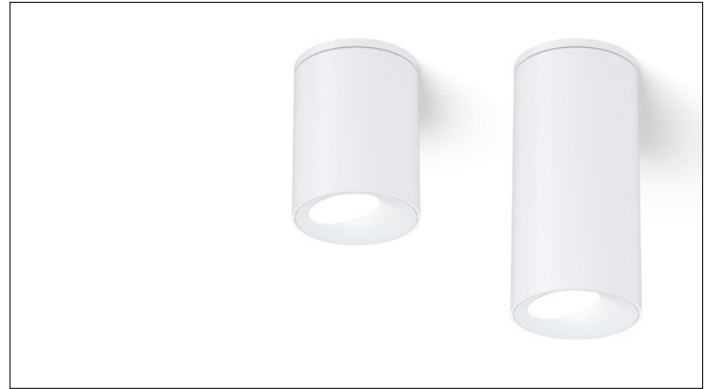


3G LIGHTING

3G-SDL45RWW

4.5" WALL WASH CYLINDER
7" AND 11" HEIGHT

4.5" diameter high performance wall wash cylinder
Companion to 3G-DL45R series downlight family
Extruded aluminum housing with powder coated finish
Twist and lock construction and no visible hardware
Regressed LED source for enhanced glare control
Lumen range up to 2200lm (80+, 90+, and 97+ CRI options)
1% dimming standard with several integral driver options



PROJECT:		TYPE:	
CATALOG#:		DATE:	QTY:

CAT. NO	FIXTURE HEIGHT	LUMEN OUTPUT	CRI	COLOR TEMP	BEAM ANGLE
3G-SDL45RWW	7H - 7" HEIGHT * 11H - 11" HEIGHT	10 - 1000 LUMENS 15 - 1500 LUMENS 22 - 2200 LUMENS ¹	S80 - 80+ CRI ² H90 - 90+ CRI H97 - 97+ CRI ²	27K - 2700K 30K - 3000K 35K - 3500K 40K - 4000K	WW - WALL WASH
	<small>*7H available in DIM and LE driver options only. Not available in 347V</small>				

VOLTAGE	DRIVER	HOUSING FINISH	INSERT FINISH
UNV - 120/277V 120 - 120V 347 - 347V ³	DIM - 0-10V (100-1%) LE - PHASE DIM ⁴ <small>(TRIAC/ELV, 100-1%)</small> D01 - 0-10V (100-0.1%) DALI - DALI (100-1%) ⁵ DHL2 - LUTRON HI-LUME <small>(1% ECOSYSTEM)</small> DMX - DMX (100-0%)	WH - WHITE BK - BLACK SV - SILVER	WI - WHITE BI - BLACK SI - SILVER

OPTIONS
CFW - WHITE CONDUIT FEED CANOPY CFB - BLACK CONDUIT FEED CANOPY CFS - SILVER CONDUIT FEED CANOPY

¹ 2200lm only available with 11" height

² S80 not available in 27K. H97 available in 30K and 35K as standard

³ 347 available in "DIM" 0-10V only (100-1%). Not available with 7H model

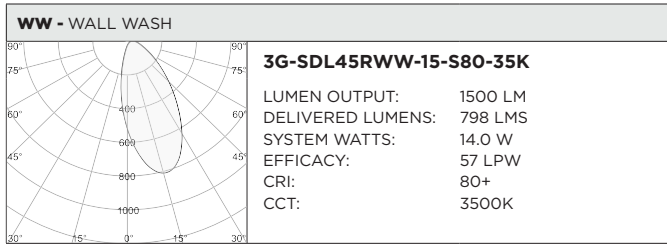
⁴ Phase dimming options available in 120V only

⁵ DALI-2 (Type 6) provided as standard. Consult factory for DALI Type 8 option

BASED ON WALL WASH OPTIC AND 3500K SOURCE

LUMEN OUTPUT	80+ CRI			90+ CRI			97+ CRI		
	DELIVERED LUMENS	SYSTEM WATTS	EFFICACY (LPW)	DELIVERED LUMENS	SYSTEM WATTS	EFFICACY (LPW)	DELIVERED LUMENS	SYSTEM WATTS	EFFICACY (LPW)
1000LMs	637	10.3	62	560	10.3	54	522	103	51
1500LMs	798	14.0	57	702	14.0	50	654	14.0	47
2200LMs	1224	22.0	56	1078	22.0	49	1004	22.0	46

LUMEN OUTPUT MULTIPLIER: 27K=0.94, 30K=0.97, 35K=1.00, 40K=1.01



HOUSING

Extruded aluminum housing with powder coated finish
 Twist and lock construction with no visible hardware

BEVELED INSERT

4.5" aperture with regressed LED source for enhanced glare control
 Cast aluminum insert with matte powder coated finish

OPTICS

Proprietary wall wash optic
 Asymmetrical lens provides uniformity and smooth illumination across and down the wall

LISTING

ETL listed and conforms to UL1598 standard. Certified to CSA22.2 NO.250.0. Rated for indoor dry or damp locations

WARRANTY

5 Year Warranty on LED and drivers
 Manufacturer 1 Year Warranty for defects in material and workmanship under normal use
 Ambient temperature at fixture should not exceed 25°C

ELECTRICAL

Standard 0-10V, constant current drivers with 100-1% dimming range and >0.9 power factor
 120V Forward Phase/Reverse Phase driver option with 100-1% dimming range
 Standard 120/277V universal voltage with several driver options
 All drivers are integral and easily accessible through luminaire aperture

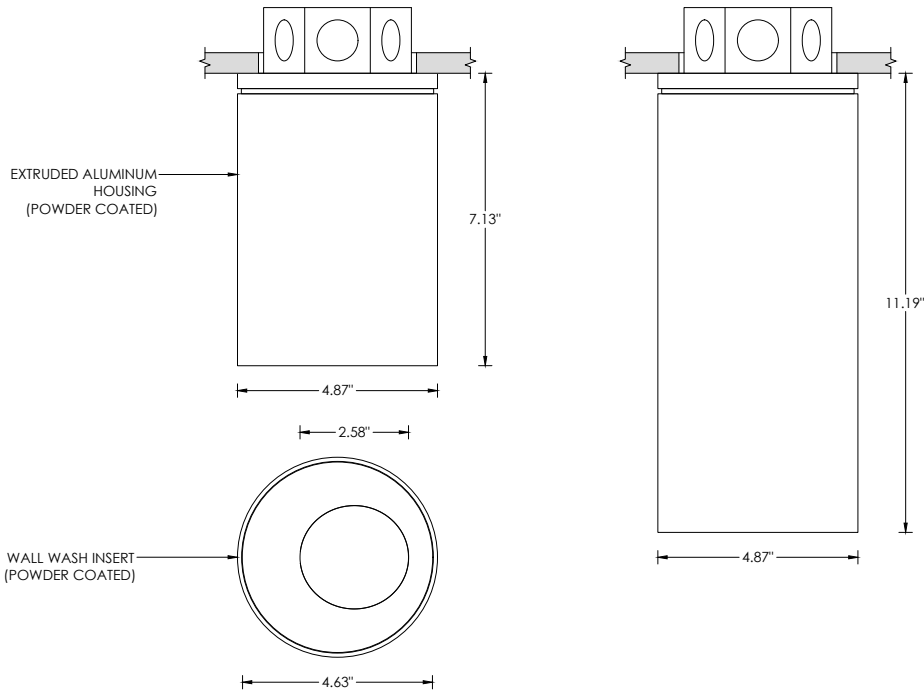
LED SYSTEM

Citizen LED module (field replaceable)
 Color consistency <2 SDCM
 Standard (80+ CRI). Optional (90+ and 97+ CRI)
 Available in 27K, 30K, 35K, and 40K
 L90 >50,000 hours
 5 Year Warranty

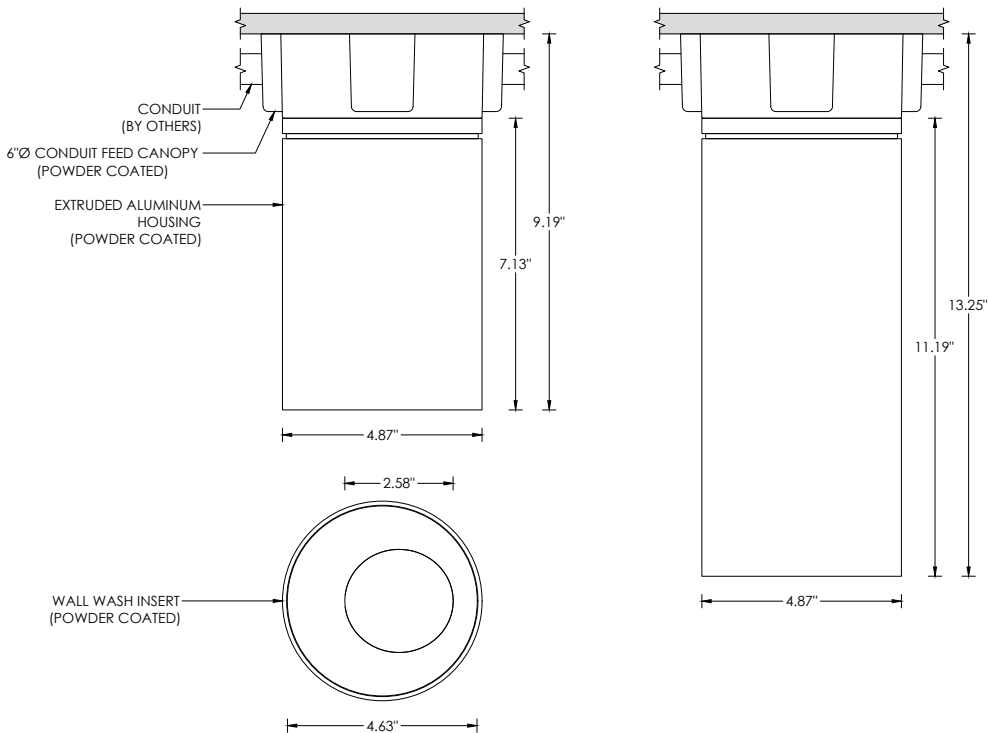
MOUNTING

All hardware included for mounting to 4" octagonal junction box
 Conduit feed cut-out canopy option designed to mount to 4" octagonal junction box
 Twist and lock mechanism

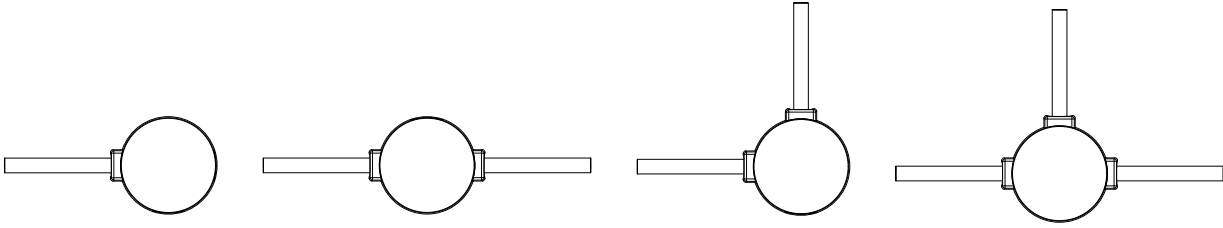
RECESSED 4" OCTAGONAL JUNCTION BOX BY OTHERS
STANDARD CANOPY MOUNT



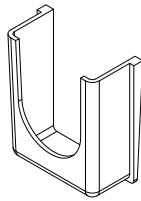
SURFACE 4" OCTAGONAL X 1.5" DEEP JUNCTION BOX BY OTHERS
CONDUIT FEED CANOPY MOUNT (CFX OPTION)



CONDUIT FEED CANOPY MOUNTING OPTIONS



CONDUIT COVER
3 PROVIDED WITH EACH
CONDUIT FEED CANOPY



BLANK
2 PROVIDED WITH EACH
CONDUIT FEED CANOPY

