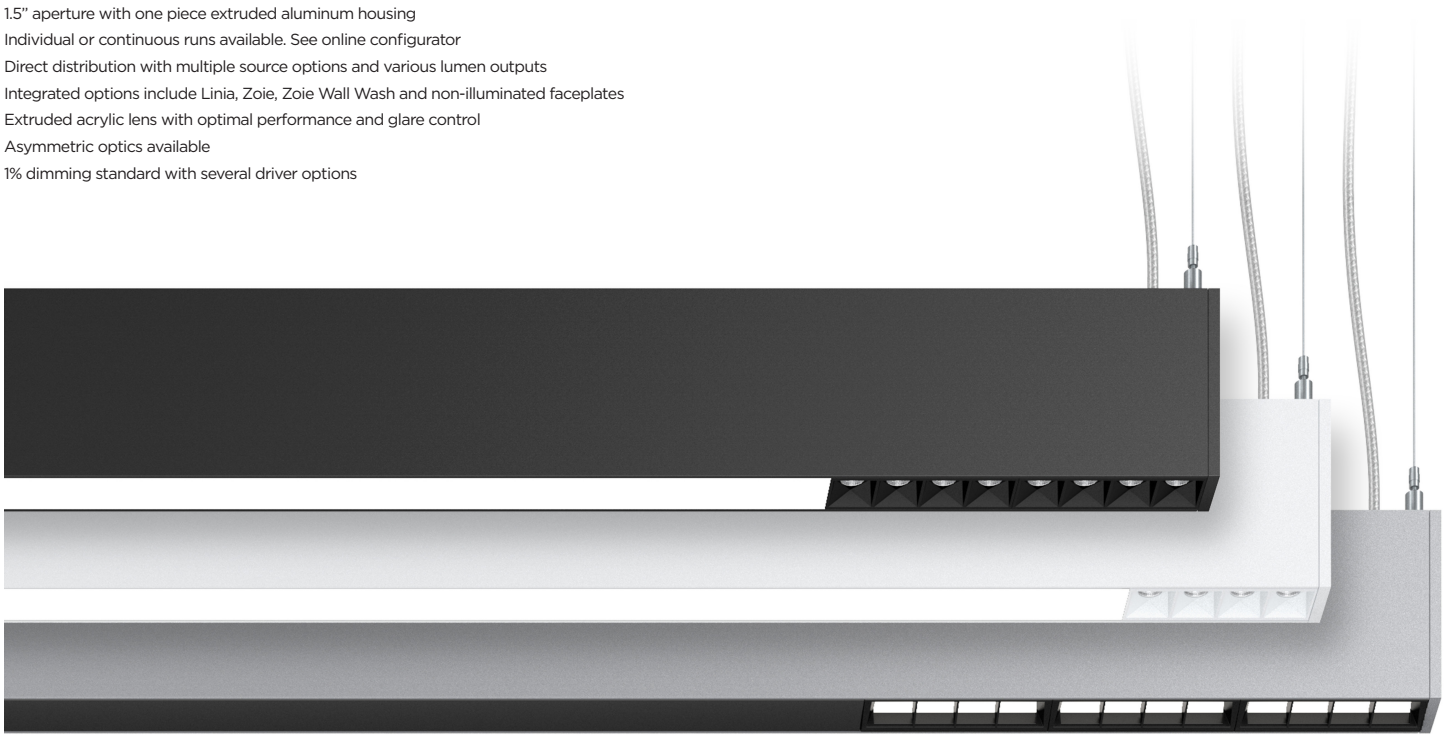


1.5" aperture with one piece extruded aluminum housing  
 Individual or continuous runs available. See online configurator  
 Direct distribution with multiple source options and various lumen outputs  
 Integrated options include Linia, Zoie, Zoie Wall Wash and non-illuminated faceplates  
 Extruded acrylic lens with optimal performance and glare control  
 Asymmetric optics available  
 1% dimming standard with several driver options

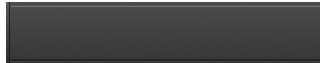


## INTEGRATED OPTIONS

1.5" LINIA DIRECT



NON ILLUMINATED FACEPLATE



LINEAR ZOIE



ZOIE WALL WASH



## CONFIGURATION OPTIONS (SPECIFY PRODUCT USING ONLINE CONFIGURATOR)

### SE - START- END

Integrated options located at start and end of run only. Available in 1' increments starting at 4'. See online configurator for length options



### OC - ON CENTER SPACING

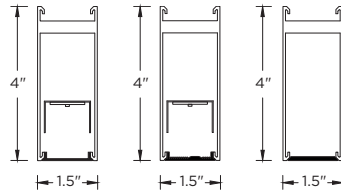
Integrated options with on center spacing starting at 4'(OC4) through 8' (OC8). See online configurator for run length options



**1LI - 1.5" LINIA DIRECT**



**1N - NON ILLUMINATED**



**APERTURE SIZE:** 1.5"  
**COLOR TEMP:** 27K, 30K, 35K, 40K  
**CRI:** 90+

**DELIVERED LUMENS:** 250-1000 LM/FT  
**EFFICACY:** 91 - 100 LPW \*  
**WATTAGE:** 2.5 - 10.9 W/FT \*

**OPTICS:** FLUSH, ASYMMETRIC

\* Based on 90+ CRI and 3500K

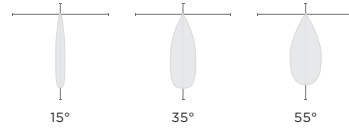
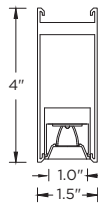
**Z4 - 4" ZOIE**



**Z8 - 8" ZOIE**



**Z12 - 12" ZOIE**



**APERTURE SIZE:** 1"  
**COLOR TEMP:** 27K, 30K, 35K, 40K  
**CRI:** 90+

**DELIVERED LUMENS:** 400 - 2400 LM  
**EFFICACY:** 84 - 91 LPW \*  
**WATTAGE:** 4.4 - 28.7 W \*

**OPTICS:** 15°, 35°, 55°

\* Based on 90+ CRI, 35° and 3500 K

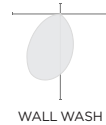
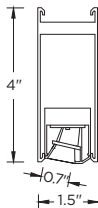
**Z4WW - 4" ZOIE WALL WASH**



**Z8WW - 8" ZOIE WALL WASH**



**Z12WW - 12" ZOIE WALL WASH**



**APERTURE SIZE:** 0.7"  
**COLOR TEMP:** 27K, 30K, 35K, 40K  
**CRI:** 90+

**DELIVERED LUMENS:** 400 - 2400 LM  
**EFFICACY:** 63 - 73 LPW \*  
**WATTAGE:** 5.5 - 37.8 W \*

**OPTICS:** WALL WASH

\* Based on 90+ CRI and 3500K

**OPTICS****1.5" LINIA DIRECT**

Extruded, satin acrylic lens designed for optimal performance and glare control  
High performance asymmetric optics

**LINEAR ZOIE**

4", 8", and 12" high performance Zoie downlights  
1" apertures with matte black or matte white multi-faceted louvers  
Regressed LED source for enhanced glare control  
Proprietary polycarbonate multi-faceted reflectors  
Available in 15°, 35° and 55°  
UGR <16

**ZOIE WALL WASH**

4", 8", and 12" high performance Zoie Wall Wash downlight  
0.7" aperture with matte black or matte white louver finish  
Regressed LED source for enhanced glare control  
Proprietary high performance wall wash optic and lens  
Smooth, direct and uniform illumination across the top and down the wall

**HOUSING**

Extruded aluminum housing with 1.5" aperture  
Die cast aluminum endcaps add 1/4" to each end of luminaire  
24-gauge LED reflector with high reflectance white powder coated finish  
Standard polyester powder coated finishes include matte white, black, and silver  
Non-illuminated option features an extruded aluminum faceplate with powder coated finish

**MOUNTING**

Toolless installation with 3G's proprietary mounting system  
Internal, toolless joiner system (latch and hook) easily connects multiple sections together  
LED reflectors remain in each section during installation with 3G's locking spring system  
Adjustable aircraft cable suspension with locking fasteners (60" length standard)  
Standard, 18-gauge, 5 conductor single circuit power feed (clear braided finish)  
All mounting canopies provided in white finish as standard  
Suitable for various architectural ceilings (see mounting details)  
Fixture weight: +/- 2.5 lbs/ft

**LED SYSTEM****1.5" LINIA DIRECT**

Proprietary LED system with color consistency < 3 SDCM  
Available in 27K, 30K, 35K, and 40K  
Standard 90+ CRI with R9 value of 56  
L90 > 60,000 hours

**LINEAR ZOIE**

Osram LED source  
Available in 27K, 30K, 35K, and 40K  
Standard 90+ CRI  
Color consistency < 2 SDCM  
L90 > 60,000 hours

**ZOIE WALL WASH**

Cree LED source  
Available in 27K, 30K, 35K, and 40K  
Standard 90+ CRI  
Color consistency < 2 SDCM  
L90 > 60,000 hours

**ELECTRICAL**

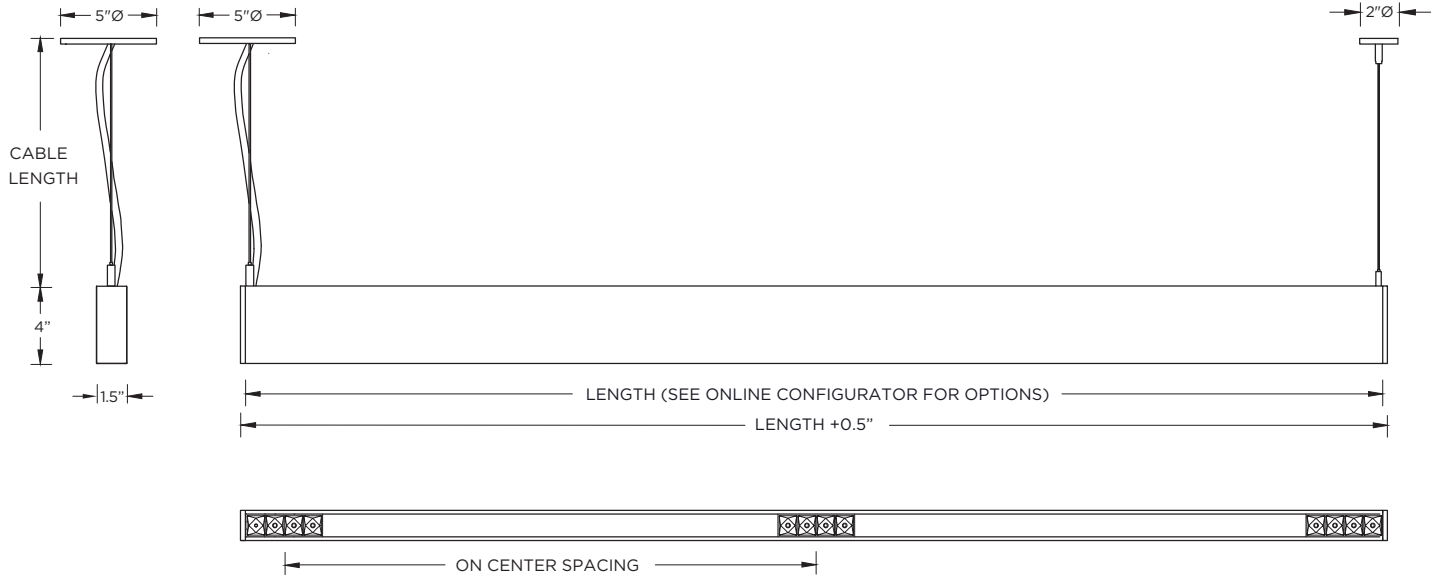
Luminaires are pre-wired with factory installed quick connects and branch circuit wiring  
Standard 0-10V, constant current drivers with 100-1% dimming range and >0.9 power factor  
120V Forward Phase/Reverse Phase driver option with 100-1% dimming range  
Standard 120/277V universal voltage with several driver options  
All drivers are integral and easily accessible through luminaire aperture

**LISTING**

ETL listed and conforms to UL1598 standard. Certified to CSA22.2 NO.250.0.  
Rated for indoor dry or damp locations

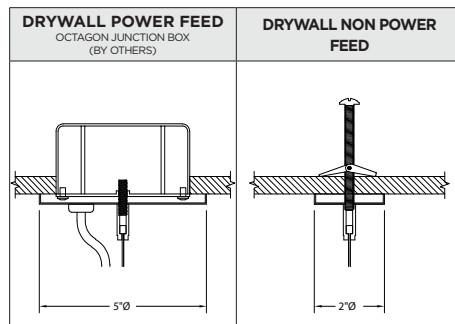
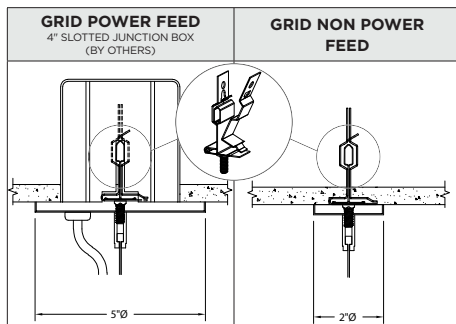
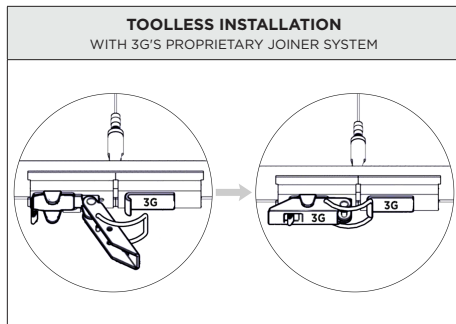
**WARRANTY**

5 Year Warranty on LED and drivers Manufacturer  
1 Year Warranty for defects in material and workmanship under normal use  
Ambient temperature at fixture should not exceed 25°C



SPECIFY PRODUCT USING ONLINE CONFIGURATOR

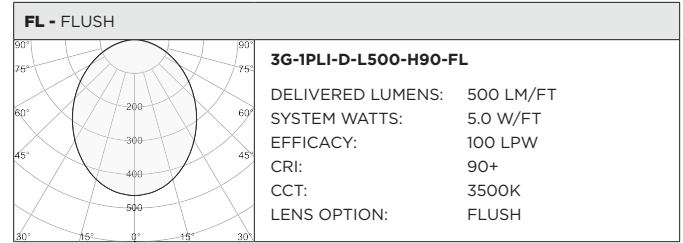
**INSTALLATION & MOUNTING**



**1.5" LINIA DIRECT - BASED ON 90+ CRI AND 3500K SOURCE**

LENS OPTION	DELIVERED LUMENS (LM/FT)	SYSTEM WATTS (W/FT)	EFFICACY (LPW)
<b>FLUSH</b>	250	2.5	99
	500	5.0	100
	750	7.9	95
	1000	10.9	91
<b>ASYMMETRIC</b>	250	2.5	96
	500	5.0	95
	750	7.9	93
	1000	10.9	89

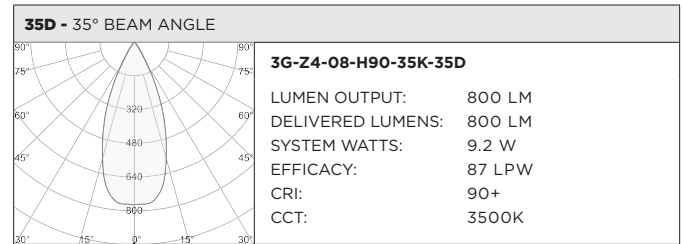
LUMEN OUTPUT MULTIPLIER: 27K=0.94, 30K=0.97, 35K=1.00, 40K=1.01



**LINEAR ZOIE - BASED ON 35°, 90+ CRI AND 3500K SOURCE**

FIXTURE TYPE	DELIVERED LUMENS	SYSTEM WATTS	EFFICACY (LPW)
<b>Z4 - 4" ZOIE</b>	400	4.4	91
	800	9.2	87
<b>Z8 - 8" ZOIE</b>	800	8.8	91
	1600	18.7	86
<b>Z12 - 12" ZOIE</b>	1200	13.1	92
	2400	28.7	84

LUMEN OUTPUT MULTIPLIER: 27K=0.93, 30K=0.96, 35K=1.00, 40K=1.02



**ZOIE WALL WASH - BASED ON WALL WASH OPTIC, 90+ CRI, AND 3500K SOURCE**

FIXTURE TYPE	DELIVERED LUMENS	SYSTEM WATTS	EFFICACY (LPW)
<b>Z4WW - 4" ZOIE WW</b>	400	5.5	73
	800	12.3	65
<b>Z8WW - 8" ZOIE WW</b>	800	11.3	71
	1600	25.3	63
<b>Z12WW - 12" ZOIE WW</b>	1200	17.1	70
	2400	37.8	63

LUMEN OUTPUT MULTIPLIER: 27K=0.93, 30K=0.96, 35K=1.00, 40K=1.02

