

1.5" aperture with one piece extruded aluminum housing
Individual or continuous runs available. See online configurator
Direct/indirect distribution with multiple source options and various lumen outputs
Integrated options include Linia, Zoie, Zoie Wall Wash, and non-illuminated faceplates
Extruded acrylic lens with optimal performance and glare control
Widespread and Asymmetric optics available
1% dimming standard with several driver options



INTEGRATED OPTIONS

1.5" LINIA DIRECT/INDIRECT



NON ILLUMINATED FACEPLATE



LINEAR ZOIE



ZOIE WALL WASH



CONFIGURATION OPTIONS (SPECIFY PRODUCT USING ONLINE CONFIGURATOR)

SE - START- END

Integrated options located at start and end of run only. Available in 1' increments starting at 4'. See online configurator for length options



OC - ON CENTER SPACING

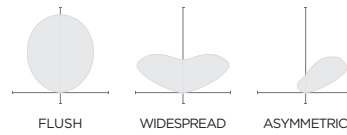
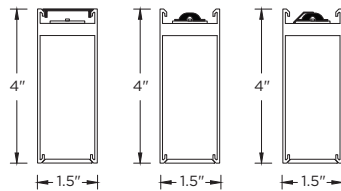
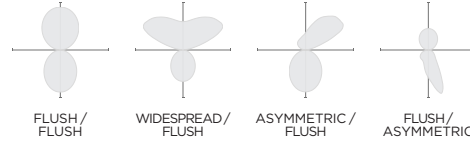
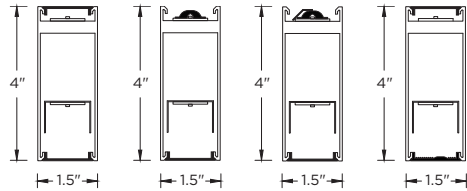
Integrated options with on center spacing starting at 4'(OC4) through 8' (OC8). See online configurator for run length options



1LI - 1.5" LINIA DIRECT/INDIRECT



1N - NON ILLUMINATED



DIRECT/INDIRECT

APERTURE SIZE: 1.5"
COLOR TEMP: 27K, 30K, 35K, 40K
CRI: 90+

DELIVERED LUMENS: 500-2000 LM/FT
EFFICACY: 81 - 114 LPW *
WATTAGE: 4.0 - 18.8 W/FT *

OPTICS: FLUSH, ASYMMETRIC

NON ILLUMINATED + INDIRECT

APERTURE SIZE: 1.5"
COLOR TEMP: 27K, 30K, 35K, 40K
CRI: 90+

DELIVERED LUMENS: 250 - 1000 LM/FT
EFFICACY: 123 - 131 LPW *
WATTAGE: 1.9 - 7.9 W/FT *

OPTICS: FLUSH, WIDESPREAD, ASYMMETRIC

* Based on 90+ CRI and 3500K

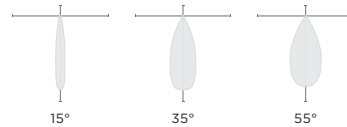
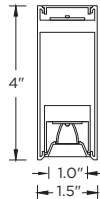
Z4 - 4" ZOIE



Z8 - 8" ZOIE



Z12 - 12" ZOIE



APERTURE SIZE: 1.0"
COLOR TEMP: 27K, 30K, 35K, 40K
CRI: 90+

DELIVERED LUMENS: 400 - 2400 LM
EFFICACY: 84 - 91 LPW *
WATTAGE: 4.4 - 28.7 W *

OPTICS: 15°, 35°, 55°

* Based on 90+ CRI, 35° and 3500K

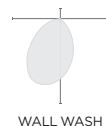
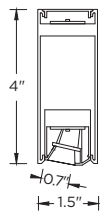
Z4WW - 4" ZOIE WALL WASH



Z8WW - 8" ZOIE WALL WASH



Z12WW - 12" ZOIE WALL WASH



APERTURE SIZE: 0.7"
COLOR TEMP: 27K, 30K, 35K, 40K
CRI: 90+

DELIVERED LUMENS: 400 - 2400 LM
EFFICACY: 63 - 73 LPW *
WATTAGE: 5.5 - 37.8 W *

OPTICS: WALL WASH

* Based on 90+ CRI and 3500K

OPTICS**1.5" LINIA DIRECT/INDIRECT**

Extruded, satin acrylic lens designed for optimal performance and glare control
High performance asymmetric optics
Widespread Optic peak intensity at 120°
Optimal mounting distance at 12" to 30" from ceiling (with WSO option)

LINEAR ZOIE

4", 8", and 12" high performance Zoie downlights
1" apertures with matte black or matte white multi-faceted louvers
Regressed LED source for enhanced glare control
Proprietary polycarbonate multi-faceted reflectors
Available in 15°, 35° and 55°
UGR <16

ZOIE WALL WASH

4", 8", and 12" high performance Zoie Wall Wash downlight
0.7" aperture with matte black or matte white louver finish
Regressed LED source for enhanced glare control
Proprietary high performance wall wash optic and lens
Smooth, direct and uniform illumination across the top and down the wall

HOUSING

Extruded aluminum housing with 1.5" aperture
Die cast aluminum endcaps add 1/4" to each end of luminaire
24-gauge LED reflector with high reflectance white powder coated finish
Standard polyester powder coated finishes include matte white, black, and silver
Non-illuminated option features an extruded aluminum faceplate with powder coated finish

MOUNTING

Toolless installation with 3G's proprietary mounting system
Internal, toolless joiner system (latch and hook) easily connects multiple sections together
LED reflectors remain in each section during installation with 3G's locking spring system
Adjustable aircraft cable suspension with locking fasteners (60" length standard)
Standard, 18-gauge, 5 conductor single circuit power feed (clear braided finish)
All mounting canopies provided in white finish as standard
Suitable for various architectural ceilings (see mounting details)
Fixture weight: +/- 2.5 lbs/ft

LED SYSTEM**1.5" LINIA DIRECT/INDIRECT**

Proprietary LED system with color consistency < 3 SDCM
Available in 27K, 30K, 35K, and 40K
Standard 90+ CRI with R9 value of 56
L90 > 60,000 hours

LINEAR ZOIE

Osram LED source
Available in 27K, 30K, 35K, and 40K
Standard 90+ CRI
Color consistency < 2 SDCM
L90 > 60,000 hours

ZOIE WALL WASH

Cree LED source
Available in 27K, 30K, 35K, and 40K
Standard 90+ CRI
Color consistency < 2 SDCM
L90 > 60,000 hours

ELECTRICAL

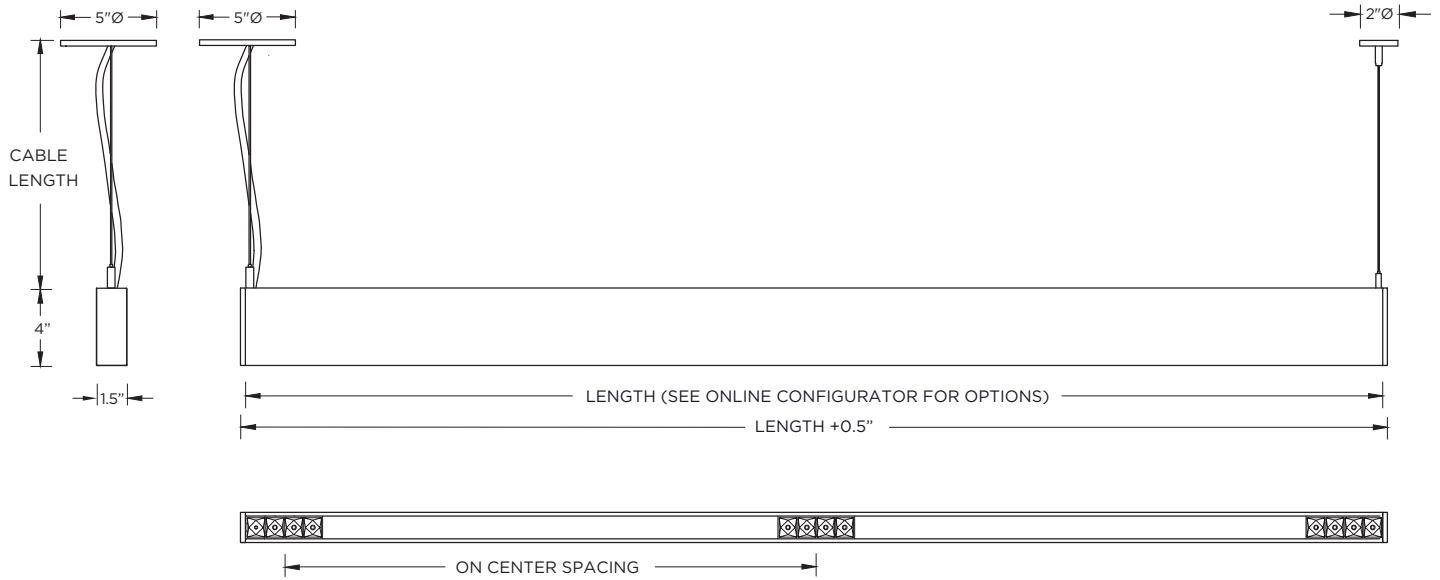
Luminaires are pre-wired with factory installed quick connects and branch circuit wiring
Standard 0-10V, constant current drivers with 100-1% dimming range and >0.9 power factor
120V Forward Phase/Reverse Phase driver option with 100-1% dimming range
Standard 120/277V universal voltage with several driver options
All drivers are integral and easily accessible through luminaire aperture
Minimum 4' and maximum 6' length with integral emergency battery. 10W output for 90 minutes

LISTING

ETL listed and conforms to UL1598 standard. Certified to CSA22.2 NO.250.0.
Rated for indoor dry or damp locations

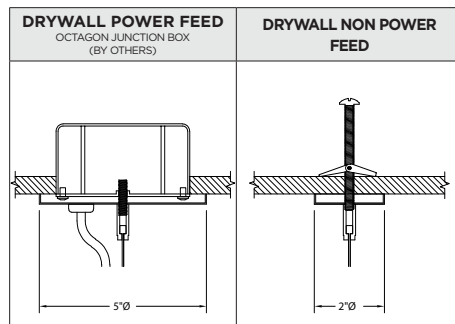
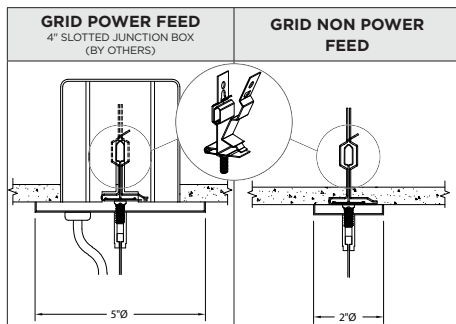
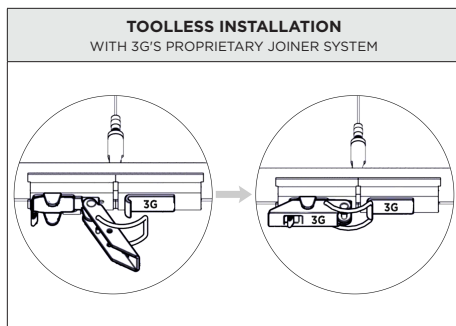
WARRANTY

5 Year Warranty on LED and drivers Manufacturer
1 Year Warranty for defects in material and workmanship under normal use
Ambient temperature at fixture should not exceed 25°C



SPECIFY PRODUCT USING ONLINE CONFIGURATOR

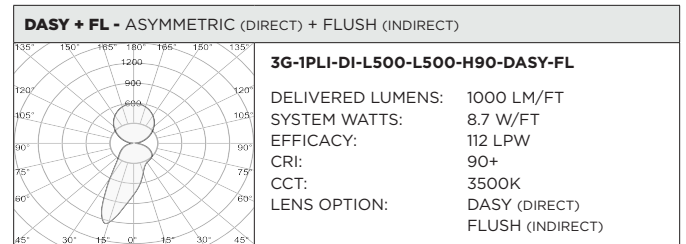
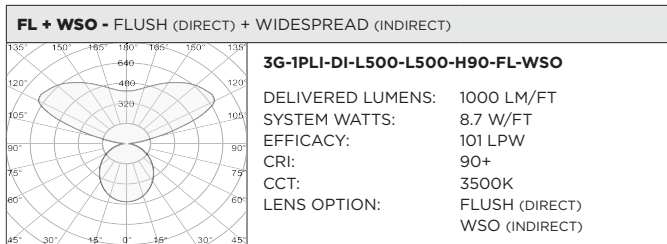
INSTALLATION & MOUNTING



1.5" LINIA DIRECT/INDIRECT - BASED ON 90+ CRI AND 3500K SOURCE

LENS OPTION	DELIVERED LUMENS (LM/FT)			SYSTEM WATTS (W/FT)			EFFICACY (LPW)			
	DIRECT + INDIRECT	DIRECT	INDIRECT	TOTAL	DIRECT	INDIRECT	TOTAL	DIRECT	INDIRECT	TOTAL
FLUSH + FLUSH		250	250	500	2.5	1.9	4.4	99	131	113
		500	500	1000	5.0	3.7	8.7	100	133	114
		750	750	1500	7.9	5.7	13.6	95	130	109
		1000	1000	2000	10.9	7.9	18.8	91	123	106
FLUSH + WIDESPREAD		250	250	500	2.5	1.9	4.4	99	106	104
		500	500	1000	5.0	3.7	8.7	100	106	101
		750	750	1500	7.9	5.7	13.6	95	100	97
		1000	1000	2000	10.9	7.9	18.8	91	97	95
FLUSH + ASYMMETRIC		250	250	500	2.5	1.9	4.4	99	67	85
		500	500	1000	5.0	3.7	8.7	100	69	86
		750	750	1500	7.9	5.7	13.6	95	65	82
		1000	750	2000	10.9	7.9	18.8	91	64	81
ASYMMETRIC + FLUSH		250	250	500	2.5	1.9	4.4	95	131	111
		500	500	1000	5.0	3.7	8.7	95	133	112
		750	750	1500	7.9	5.7	13.6	92	130	107
		1000	1000	2000	10.9	7.9	18.8	91	123	105

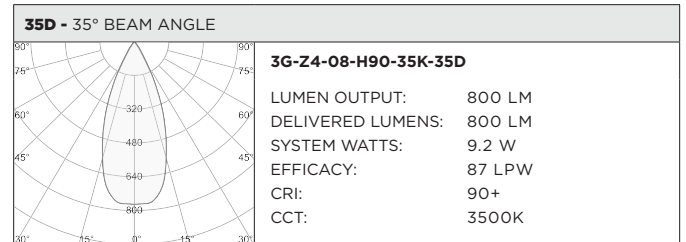
LUMEN OUTPUT MULTIPLIER: 27K=0.94, 30K=0.97, 35K=1.00, 40K=1.01



LINEAR ZOIE - BASED ON 35°, 90+ CRI AND 3500K SOURCE

FIXTURE TYPE	DELIVERED LUMENS	SYSTEM WATTS	EFFICACY (LPW)
Z4 - 4" ZOIE	400	4.4	91
	800	9.2	87
Z8 - 8" ZOIE	800	8.8	91
	1600	18.7	86
Z12 - 12" ZOIE	1200	13.1	92
	2400	28.7	84

LUMEN OUTPUT MULTIPLIER: 27K=0.93, 30K=0.96, 35K=1.00, 40K=1.02



ZOIE WALL WASH - BASED ON WALL WASH OPTIC, 90+ CRI, AND 3500K SOURCE

FIXTURE TYPE	DELIVERED LUMENS	SYSTEM WATTS	EFFICACY (LPW)
Z4WW - 4" ZOIE WW	400	5.5	73
	800	12.3	65
Z8WW - 8" ZOIE WW	800	11.3	71
	1600	25.3	63
Z12WW - 12" ZOIE WW	1200	17.1	70
	2400	37.8	63

LUMEN OUTPUT MULTIPLIER: 27K=0.93, 30K=0.96, 35K=1.00, 40K=1.02

