



3Gi-2PSL-D
2" INTEGRATED PENDANT SLOT
DIRECT

SPECIFY PRODUCT USING ONLINE CONFIGURATOR

- 2" aperture with one piece extruded aluminum housing
- Individual or continuous runs available. See online configurator
- Direct distribution with multiple source options and various lumen outputs
- Fixed downlight integrated option
- Extruded acrylic lens available in flush, 1" and 2" drop lens options
- Asymmetric optics available
- 1% dimming standard with several integral driver options

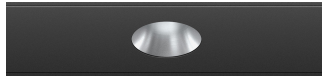


INTEGRATED OPTIONS

2" LINIA DIRECT



1" FIXED DOWNLIGHT



CONFIGURATION OPTIONS (SPECIFY PRODUCT USING ONLINE CONFIGURATOR)

SE - START- END

Integrated options located at start and end of run only. Available in 1' increments starting at 4'. See online configurator for length options

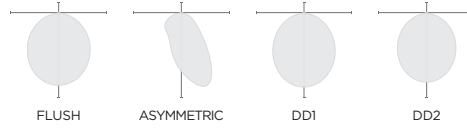
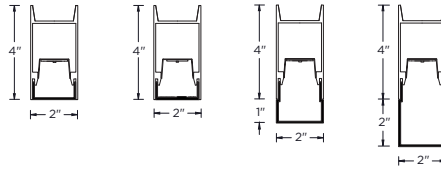


OC - ON CENTER SPACING

Integrated options with on center spacing starting at 4'(OC4) through 8' (OC8). See online configurator for run length options



2LI - 2" LINIA DIRECT



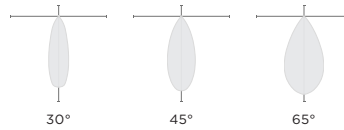
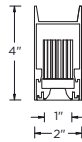
APERTURE SIZE: 2.0"
COLOR TEMP: 27K, 30K, 35K, 40K
CRI: 90+

DELIVERED LUMENS: 250 - 1000 LM/FT
EFFICACY: 99 - 129 LPW *
WATTAGE: 1.9 - 10.0 W/FT *

OPTICS: FLUSH,
1" - 2" DROP LENS,
ASYMMETRIC

* Based on 90+ CRI and 3500 K

DF3 - 1" DOWNLIGHT



APERTURE SIZE: 1.0"
COLOR TEMP: 27K, 30K, 35K, 40K
CRI: 90+

DELIVERED LUMENS: 640 - 930 LM
EFFICACY: 99 - 101 LPW *
WATTAGE: 6.5 - 9.2 W *

OPTICS: 30°, 45°, 65°

* Based on 90+ CRI, 65° and 3500K

OPTICS**2" LINIA DIRECT**

Extruded, satin acrylic lens designed for optimal performance and glare control
Lens options include flush, 1" and 2" drops with illuminated end caps for all drop lenses
High performance asymmetric optics

1" FIXED DOWNLIGHT

Small 1" (3cm) diameter, high performance downlight
Regressed LED source for enhanced glare control
Available in 30°, 45° and 65°

HOUSING

Extruded aluminum housing with 2" aperture
Die cast aluminum endcaps add 1/4" to each end of luminaire
24-gauge LED reflector with high reflectance white powder coated finish
Standard polyester powder coated finishes include matte white, black, and silver
Integrated options feature an extruded aluminum faceplate with powder coated finish

MOUNTING

Toolless installation with 3G's proprietary mounting system
Internal, toolless joiner system (latch and hook) easily connects multiple sections together
LED reflectors remain in each section during installation with 3G's locking spring system
Adjustable aircraft cable suspension with locking fasteners (60" length standard)
Standard, 18-gauge, 5 conductor single circuit power feed (clear braided finish)
All mounting canopies provided in white finish as standard
Suitable for various architectural ceilings (see mounting details)
Fixture weight: +/- 3 lbs/ft

LED SYSTEM**2" LINIA DIRECT**

Proprietary LED system with color consistency <3 SDCM
Available in 27K, 30K, 35K, and 40K
Standard 90+CRI with R9 value of 56
L90 >60,000 hours

1" FIXED DOWNLIGHT

Citizen LED module (field replaceable)
Available in 27K, 30K, 35K, and 40K
Standard 90+ CRI
Color consistency <2 SDCM
L90 >50,000 hours

ELECTRICAL

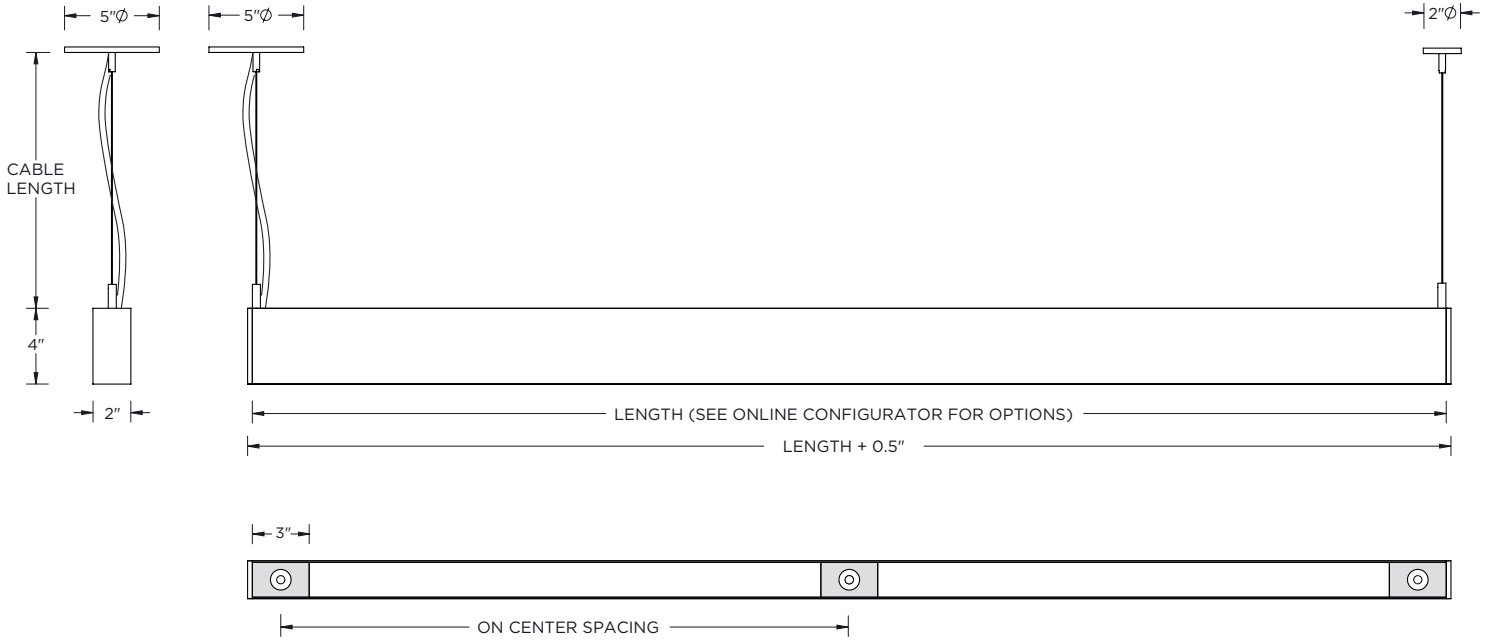
Luminaires are pre-wired with factory installed quick connects and branch circuit wiring
Standard 0-10V, constant current drivers with 100-1% dimming range and >0.9 power factor
Standard 120/277V universal voltage with several driver options
All drivers are integral and easily accessible through luminaire aperture

LISTING

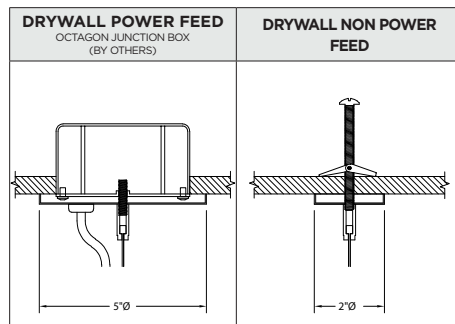
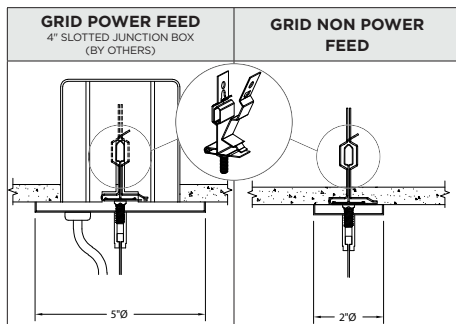
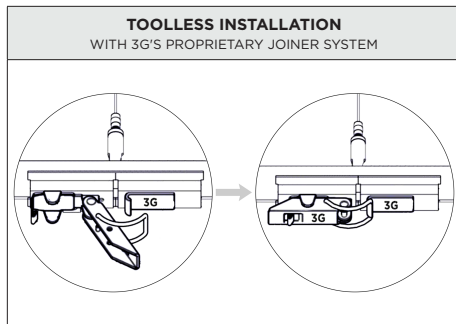
ETL listed and conforms to UL1598 standard. Certified to CSA22.2 NO.250.0.
Rated for indoor dry or damp locations

WARRANTY

5 Year Warranty on LED and drivers Manufacturer
1 Year Warranty for defects in material and workmanship under normal use
Ambient temperature at fixture should not exceed 25°C



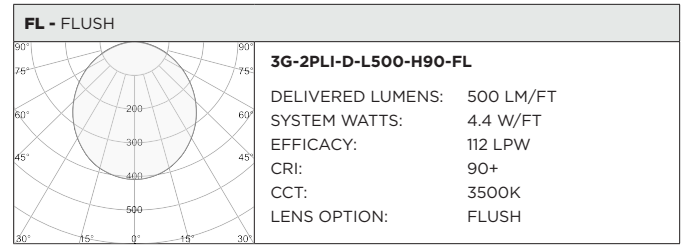
INSTALLATION & MOUNTING



2" LINIA DIRECT - BASED ON 90+ CRI AND 3500K SOURCE

LENS OPTION	DELIVERED LUMENS (LM/FT)	SYSTEM WATTS (W/FT)	EFFICACY (LPW)
FLUSH	250	1.9	127
	500	4.4	112
	750	7.2	103
	1000	10.0	99
1" DROP	250	1.9	127
	525	4.4	112
	775	7.2	103
	1025	10.0	99
2" DROP	275	1.9	127
	525	4.4	112
	800	7.2	103
	1050	10.0	99
ASYMMETRIC	250	1.9	128
	500	4.4	129
	750	7.2	123
	1000	10.0	118

LUMEN OUTPUT MULTIPLIER: 27K=0.94, 30K=0.97, 35K=1.00, 40K=1.01



1" FIXED DOWNLIGHT - BASED ON 65°, 90+ CRI AND 3500K SOURCE (PER FIXTURE HEAD)

LUMEN OUTPUT	DELIVERED LUMENS	SYSTEM WATTS	EFFICACY (LPW)
700 LM	642	6.5	99
1000 LM	930	9.2	101

LUMEN OUTPUT MULTIPLIER: 27K=0.94, 30K=0.97, 35K=1.00, 40K=1.01

