

3.5" aperture with one piece extruded aluminum housing  
 Individual or continuous runs available. See online configurator  
 Direct distribution with multiple source options and various lumen outputs  
 Integrated options include Micro Madison dual axis gimbals, fixed downlights, and adjustable linear Zoie  
 Extruded acrylic lens available in flush, 1" and 2" drop lens options  
 Asymmetric optics available  
 1% dimming standard with several driver options



**INTEGRATED OPTIONS**

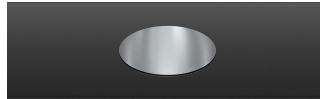
**3.5" LINIA DIRECT**



**MICRO MADISON**



**2" FIXED DOWNLIGHT**



**4" ADJUSTABLE ZOIE**



**CONFIGURATION OPTIONS** (SPECIFY PRODUCT USING ONLINE CONFIGURATOR)

**SE - START- END**

Integrated options located at start and end of run only. Available in 1' increments starting at 4'. See online configurator for length options

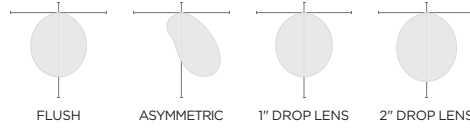
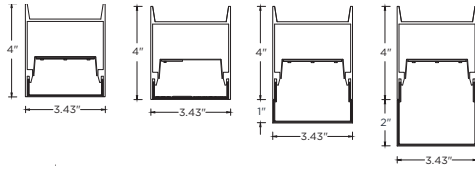


**OC - ON CENTER SPACING**

Integrated options with on center spacing starting at 4'(OC4) through 8' (OC8). See online configurator for run length options



**4LI - 3.5" LINIA DIRECT**



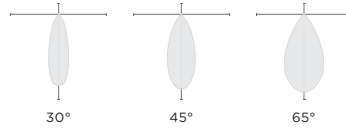
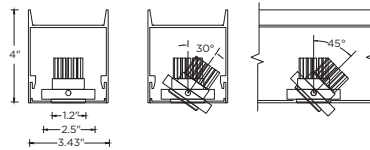
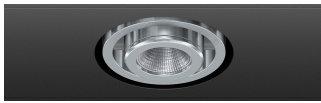
**APERTURE SIZE:** 3.43"  
**COLOR TEMP:** 27K, 30K, 35K, 40K  
**CRI:** 90+

**DELIVERED LUMENS:** 250 - 1000 LM/FT  
**EFFICACY:** 111 - 116 LPW \*  
**WATTAGE:** 2.1 - 8.9 W/FT \*

**OPTICS:** FLUSH,  
1" - 2" DROP LENS,  
ASYMMETRIC

\* Based on 90+ CRI and 3500 K

**M3 - MICRO MADISON**



**APERTURE SIZE:** 1.2"  
**COLOR TEMP:** 27K, 30K, 35K, 40K  
**CRI:** 90+

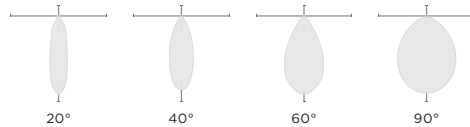
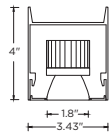
**DELIVERED LUMENS:** 640 - 930 LM  
**EFFICACY:** 99 - 101 LPW \*  
**WATTAGE:** 6.5 - 9.2 W \*

**OPTICS:** 30°, 45°, 65°

**ADJUSTABILITY:** 30° X 45°

\* Based on 90+ CRI, 65° and 3500K

**DF5 - 2" DOWNLIGHT**



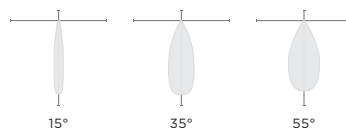
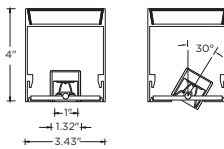
**APERTURE SIZE:** 1.8"  
**COLOR TEMP:** 27K, 30K, 35K, 40K  
**CRI:** 90+

**DELIVERED LUMENS:** 893 - 1931 LM  
**EFFICACY:** 89 LPW \*  
**WATTAGE:** 10.2 - 22.0 W \*

**OPTICS:** 20°, 40°, 60°, 90°

\* Based on 90+ CRI, 60° and 3500K

**Z4A - 4" ADJUSTABLE ZOIE**



**APERTURE SIZE:** 1.0"  
**COLOR TEMP:** 27K, 30K, 35K, 40K  
**CRI:** 90+

**DELIVERED LUMENS:** 400 - 800 LM  
**EFFICACY:** 87 - 91 LPW \*  
**WATTAGE:** 4.4 - 9.2 W \*

**OPTICS:** 15°, 35°, 55°

**ADJUSTABILITY:** 30°

\* Based on 90+ CRI, 35° and 3500K

**OPTICS & ADJUSTABILITY****3.5" LINIA DIRECT**

Extruded, satin acrylic lens designed for optimal performance and glare control  
Lens options include flush, 1" and 2" drops with illuminated end caps for all drop lenses  
High performance asymmetric optics available

**MICRO MADISON**

1.2" diameter, regressed LED source for enhanced glare control  
Proprietary, high performance reflectors. Field replaceable  
Available in 30°, 45° and 65°  
Solid, machined aluminum double gimbal with dual axis adjustability (30° X 45°)

**2" FIXED DOWNLIGHT**

Small 1.8" diameter, high performance downlight  
Regressed LED source for enhanced glare control  
Proprietary anodized, aluminum reflectors  
Available in 20°, 40°, 60° and 90°

**4" ADJUSTABLE ZOIE**

4" high performance Zoie downlights with single axis adjustability of 30°  
1" apertures with matte black or matte white multi-faceted louvers  
Regressed LED source for enhanced glare control  
Proprietary polycarbonate multi-faceted reflectors  
Available in 15°, 35° and 55°  
UGR <16

**HOUSING**

Extruded aluminum housing with a 3.5" aperture  
Die cast aluminum end caps add 1/4" to each end of the luminaire  
24-gauge LED reflector with high reflectance white powder-coated finish  
Standard polyester powder coated matte white finish. Optional finishes available  
Integrated options feature an extruded aluminum faceplate with powder coated finish

**MOUNTING**

Toolless installation with 3G's proprietary mounting system  
Internal, toolless joiner system (latch and hook) easily connects multiple sections together  
LED reflectors remain in each section during installation with 3G's locking spring system  
Adjustable aircraft cable suspension with locking fasteners (60" length standard)  
Standard, 18-gauge, 5 conductor single circuit power feed (clear braided finish)  
All mounting canopies provided in white finish as standard  
Suitable for various architectural ceilings (see mounting details)  
Fixture weight: +/- 3.7 lb/ft

**LED SYSTEM****3.5" LINIA DIRECT**

Proprietary LED system with color consistency < 3 SDCM  
Available in 27K, 30K, 35K, and 40K  
Standard 90+ CRI with R9 value of 56  
L90 > 60,000 hours

**DOWNLIGHTS**

Citizen LED module (field replaceable)  
Available in 27K, 30K, 35K, and 40K  
Standard 90+ CRI  
Color consistency < 2 SDCM  
L90 > 50,000 hours

**4" ADJUSTABLE ZOIE**

Osram LED source  
Available in 27K, 30K, 35K, and 40K  
Standard 90+ CRI  
Color consistency < 2 SDCM  
L90 > 60,000 hours

**ELECTRICAL**

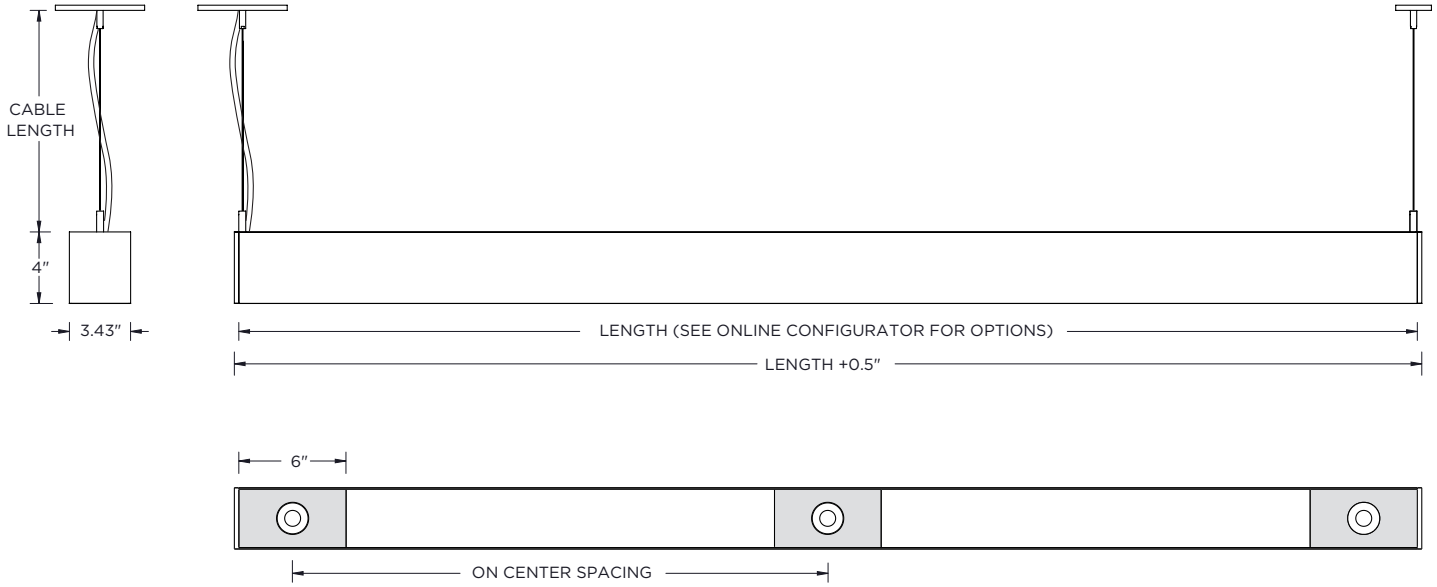
Luminaires are pre-wired with factory installed quick connects and branch circuit wiring  
Standard 0-10V, constant current drivers with 100-1% dimming range and >0.9 power factor  
Standard 120/277V universal voltage with several driver options  
All drivers are integral and easily accessible through luminaire aperture

**LISTING**

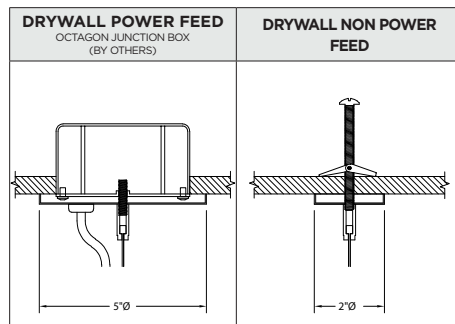
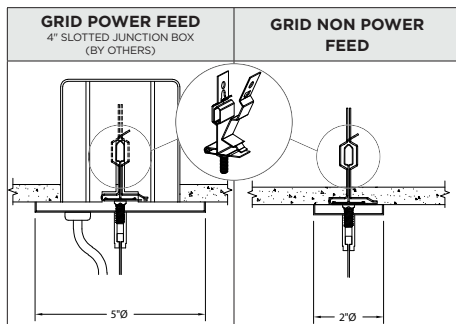
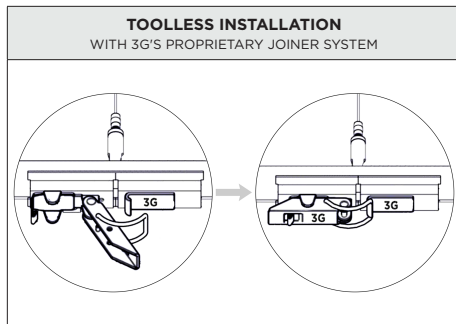
ETL listed and conforms to UL1598 standard. Certified to CSA22.2 NO.250.0.  
Rated for indoor dry or damp locations

**WARRANTY**

5 Year Warranty on LED and drivers Manufacturer  
1 Year Warranty for defects in material and workmanship under normal use  
Ambient temperature at fixture should not exceed 25°C



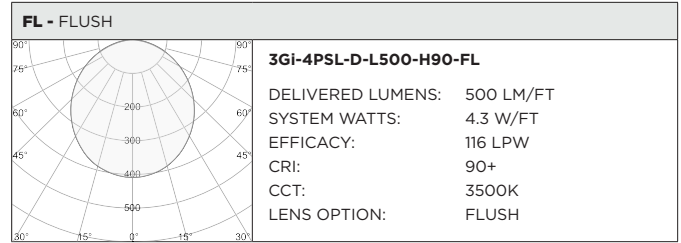
**INSTALLATION & MOUNTING**



**3.5" LINIA DIRECT - BASED ON 90+ CRI AND 3500K SOURCE**

LENS OPTION	DELIVERED LUMENS (LM/FT)	SYSTEM WATTS (W/FT)	EFFICACY (LPW)
<b>FLUSH</b>	250	2.1	116
	500	4.3	116
	750	6.6	114
	1000	8.9	111
<b>1" DROP</b>	250	2.1	120
	500	4.3	121
	750	6.6	119
	1000	8.9	115
<b>2" DROP</b>	250	2.1	122
	500	4.3	123
	750	6.6	121
	1000	8.9	116
<b>ASYMMETRIC</b>	250	2.1	118
	500	4.3	119
	750	6.6	115
	1000	8.9	112

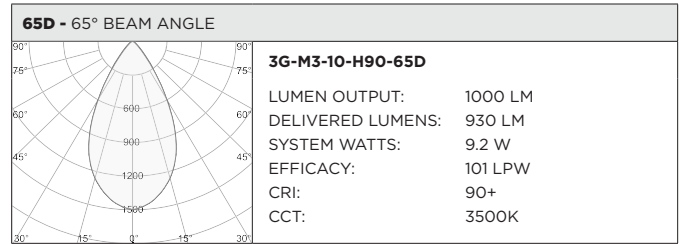
LUMEN OUTPUT MULTIPLIER: 27K=0.94, 30K=0.97, 35K=1.00, 40K=1.01



**MICRO MADISON - BASED ON 65°, 90+ CRI AND 3500K SOURCE (PER FIXTURE HEAD)**

LUMEN OUTPUT	DELIVERED LUMENS	SYSTEM WATTS	EFFICACY (LPW)
<b>700 LM</b>	642	6.5	99
<b>1000 LM</b>	930	9.2	101

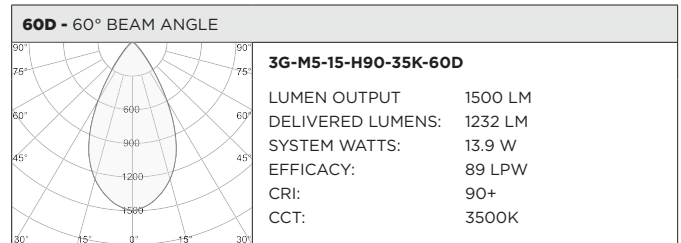
LUMEN OUTPUT MULTIPLIER: 27K=0.94, 30K=0.97, 35K=1.00, 40K=1.01



**2" FIXED DOWNLIGHT - BASED ON 60°, 90+ CRI AND 3500K SOURCE (PER FIXTURE HEAD)**

LUMEN OUTPUT	DELIVERED LUMENS	SYSTEM WATTS	EFFICACY (LPW)
<b>1000 LM</b>	893	10.2	88
<b>1500 LM</b>	1232	13.9	89
<b>2200 LM</b>	1931	22.0	88

LUMEN OUTPUT MULTIPLIER: 27K=0.94, 30K=0.97, 35K=1.00, 40K=1.01



**4" ADJUSTABLE ZONE - BASED ON 35°, 90+ CRI AND 3500K SOURCE**

FIXTURE TYPE	DELIVERED LUMENS	SYSTEM WATTS	EFFICACY (LPW)
<b>4" ZONE</b>	400	4.4	91
	800	9.2	87

LUMEN OUTPUT MULTIPLIER: 27K=0.94, 30K=0.97, 35K=1.00, 40K=1.01

