

- 3.5" aperture with one piece extruded aluminum housing
- Individual or continuous runs available. See online configurator
- Direct and indirect distribution with multiple source options and various lumen outputs
- Integrated options include Micro Madison dual axis gimbals, fixed downlights and adjustable linear Zoie
- Extruded acrylic lens available in flush, 1" and 2" drop lens options
- Widespread and Asymmetric optics available
- 1% dimming standard with several driver options



INTEGRATED OPTIONS

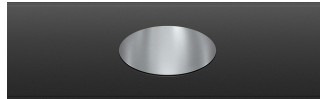
3.5" LINIA DIRECT/INDIRECT



MICRO MADISON



2" FIXED DOWNLIGHT



4" ADJUSTABLE ZOIE



CONFIGURATION OPTIONS (SPECIFY PRODUCT USING ONLINE CONFIGURATOR)

SE - START- END

Integrated options located at start and end of run only. Available in 1' increments starting at 4'. See online configurator for length options

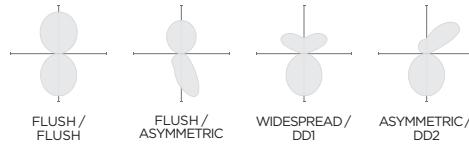
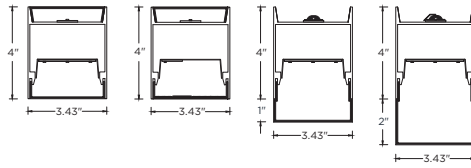


OC - ON CENTER SPACING

Integrated options with on center spacing starting at 4'(OC4) through 8' (OC8). See online configurator for run length options



4LI - 3.5" LINIA DIRECT/INDIRECT



DIRECT/INDIRECT COMBINED

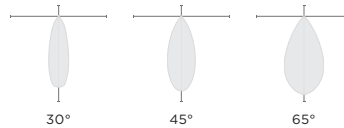
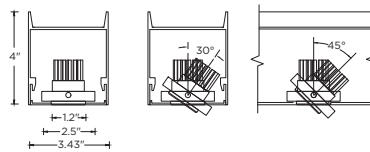
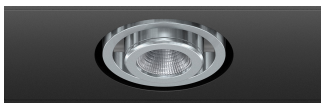
APERTURE SIZE: 3.43"
COLOR TEMP: 27K, 30K, 35K, 40K
CRI: 90+

DELIVERED LUMENS: 500-2000 LM/FT
EFFICACY: 82 - 130 LPW *
SYSTEM WATTS: 4.0 - 16.89 W/FT *

OPTICS DIRECT: FLUSH, 1"-2" DROPLENS, ASYMMETRIC
OPTICS INDIRECT: FLUSH, WIDESPREAD, ASYMMETRIC

* Based on 90+ CRI and 3500K

M3 - MICRO MADISON



APERTURE SIZE: 1.2"
COLOR TEMP: 27K, 30K, 35K, 40K
CRI: 90+

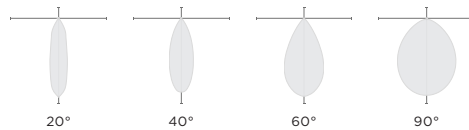
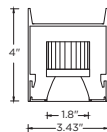
DELIVERED LUMENS: 640 - 930 LM *
EFFICACY: 99 - 101 LPW *
WATTAGE: 6.5 - 9.2 W *

OPTICS: 30°, 45°, 65°

ADJUSTABILITY: 30° X 45°

* Based on 90+ CRI, 65° and 3500K

DF5 - 2" DOWNLIGHT



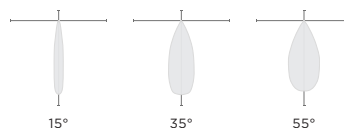
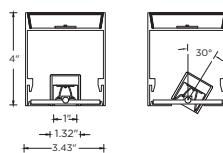
APERTURE SIZE: 1.8"
COLOR TEMP: 27K, 30K, 35K, 40K
CRI: 90+

DELIVERED LUMENS: 893 - 1931 LM *
EFFICACY: 89 LPW *
WATTAGE: 10.2 - 22.0 W *

OPTICS: 20°, 40°, 60°, 90°

* Based on 90+ CRI, 60° and 3500K

Z4A - 4" ADJUSTABLE ZONE



APERTURE SIZE: 1.0"
COLOR TEMP: 27K, 30K, 35K, 40K
CRI: 90+

DELIVERED LUMENS: 400 - 800 LM
EFFICACY: 87 - 91 LPW *
WATTAGE: 4.4 - 9.2 W *

OPTICS: 15°, 35°, 55°

ADJUSTABILITY: 30°

* Based on 90+ CRI, 35° and 3500K

OPTICS & ADJUSTABILITY**3.5" LINIA DIRECT/INDIRECT**

Extruded, satin acrylic lens designed for optimal performance and glare control
Lens options include flush, 1" and 2" drops with illuminated end caps for all drop lenses
High performance asymmetric optics available
Widespread Optic peak intensity at 120°
Optimal mounting distance at 12" to 30" from ceiling (with WSO option)

MICRO MADISON

1.2" diameter, regressed LED source for enhanced glare control
Proprietary, high performance reflectors. Field replaceable
Available in 30°, 45° and 65°
Solid, machined aluminum double gimbal with dual axis adjustability (30° X 45°)

2" FIXED DOWNLIGHT

Small 1.8" diameter, high performance downlight
Regressed LED source for enhanced glare control
Proprietary anodized, aluminum reflectors
Available in 20°, 40°, 60° and 90°

4" ADJUSTABLE ZOIE

4" high performance Zoie downlights with single axis adjustability of 30°
1" apertures with matte black or matte white multi-faceted louvers
Regressed LED source for enhanced glare control
Proprietary polycarbonate multi-faceted reflectors
Available in 15°, 35° and 55°
UGR <16

HOUSING

Extruded aluminum housing with a 3.5" aperture
Die cast aluminum end caps add 1/4" to each end of the luminaire
24-gauge LED reflector with high reflectance white powder-coated finish
Standard polyester powder coated matte white finish. Optional finishes available
Integrated options feature an extruded aluminum faceplate with powder coated finish

MOUNTING

Toolless installation with 3G's proprietary mounting system
Internal, toolless joiner system (latch and hook) easily connects multiple sections together
LED reflectors remain in each section during installation with 3G's locking spring system
Adjustable aircraft cable suspension with locking fasteners (60" length standard)
Standard, 18-gauge, 5 conductor single circuit power feed (clear braided finish)
All mounting canopies provided in white finish as standard
Suitable for various architectural ceilings (see mounting details)
Fixture weight: +/- 3.7 lb/ft

LED SYSTEM**3.5" LINIA DIRECT/INDIRECT**

Proprietary LED system with color consistency < 3 SDCM
Available in 27K, 30K, 35K, and 40K
Standard 90+ CRI with R9 value of 56
L90 > 60,000 hours

DOWNLIGHTS

Citizen LED module (field replaceable)
Available in 27K, 30K, 35K, and 40K
Standard 90+ CRI
Color consistency < 2 SDCM
L90 > 50,000 hours

4" ADJUSTABLE ZOIE

Osram LED source
Available in 27K, 30K, 35K, and 40K
Standard 90+ CRI
Color consistency < 2 SDCM
L90 > 60,000 hours

ELECTRICAL

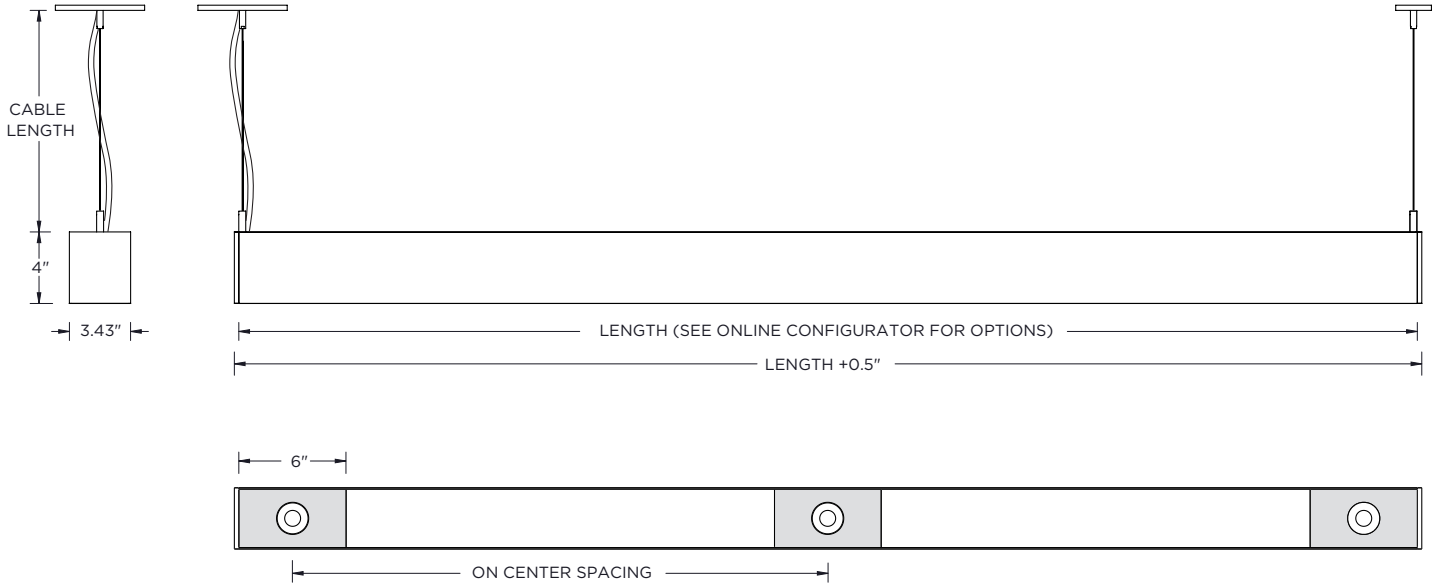
Luminaires are pre-wired with factory installed quick connects and branch circuit wiring
Standard 0-10V, constant current drivers with 100-1% dimming range and >0.9 power factor
Standard 120/277V universal voltage with several driver options
All drivers are integral and easily accessible through luminaire aperture

LISTING

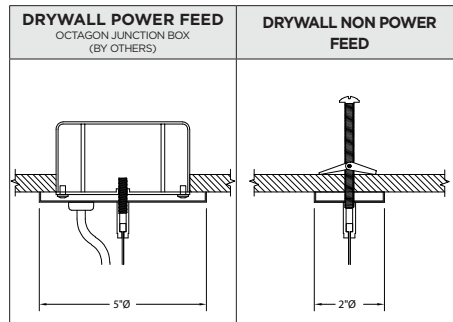
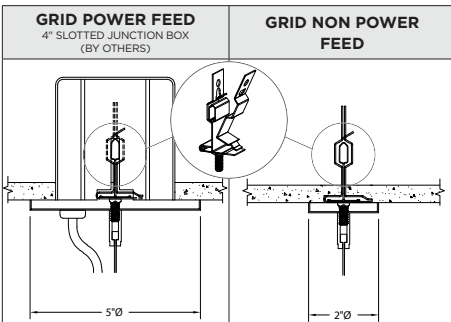
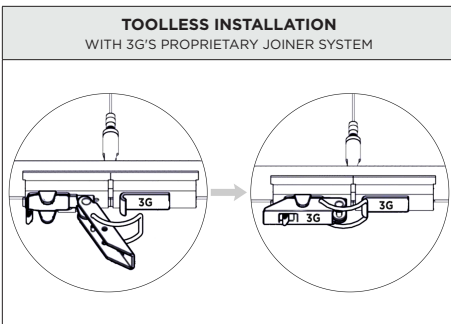
ETL listed and conforms to UL1598 standard. Certified to CSA22.2 NO.250.0.
Rated for indoor dry or damp locations

WARRANTY

5 Year Warranty on LED and drivers Manufacturer
1 Year Warranty for defects in material and workmanship under normal use
Ambient temperature at fixture should not exceed 25°C



INSTALLATION & MOUNTING

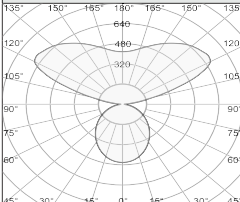


3.5" LINIA DIRECT/INDIRECT - BASED ON 90+ CRI AND 3500K SOURCE

| LENS OPTION | DELIVERED LUMENS (LM/FT) | | | SYSTEM WATTS (W/FT) | | | EFFICACY (LPW) | | | |
|---------------------------|--------------------------|--------|----------|---------------------|--------|----------|----------------|--------|----------|-------|
| | DIRECT + INDIRECT | DIRECT | INDIRECT | TOTAL | DIRECT | INDIRECT | TOTAL | DIRECT | INDIRECT | TOTAL |
| FLUSH + FLUSH | | 250 | 250 | 500 | 2.1 | 1.9 | 4.0 | 116 | 135 | 124 |
| | | 500 | 500 | 1000 | 4.3 | 3.7 | 8.0 | 116 | 138 | 126 |
| | | 750 | 750 | 1500 | 6.6 | 5.7 | 12.3 | 114 | 135 | 123 |
| | | 1000 | 1000 | 2000 | 8.9 | 7.9 | 16.8 | 111 | 130 | 120 |
| FLUSH + WIDESPREAD | | 250 | 250 | 500 | 2.1 | 1.9 | 4.0 | 116 | 129 | 122 |
| | | 500 | 500 | 1000 | 4.3 | 3.7 | 8.0 | 116 | 129 | 122 |
| | | 750 | 750 | 1500 | 6.6 | 5.7 | 12.3 | 114 | 127 | 120 |
| | | 1000 | 1000 | 2000 | 8.9 | 7.9 | 16.8 | 111 | 123 | 117 |
| FLUSH + ASYMMETRIC | | 250 | 250 | 500 | 2.1 | 1.9 | 4.0 | 117 | 67 | 85 |
| | | 500 | 500 | 1000 | 4.3 | 3.7 | 8.0 | 130 | 71 | 87 |
| | | 750 | 750 | 1500 | 6.6 | 5.7 | 12.3 | 95 | 66 | 84 |
| | | 1000 | 750 | 1750 | 8.9 | 7.9 | 16.8 | 91 | 65 | 82 |
| 1" DROP + FLUSH | | 250 | 250 | 500 | 2.1 | 1.9 | 4.0 | 120 | 135 | 127 |
| | | 500 | 500 | 1000 | 4.3 | 3.7 | 8.0 | 121 | 138 | 129 |
| | | 750 | 750 | 1500 | 6.6 | 5.7 | 12.3 | 119 | 135 | 126 |
| | | 1000 | 1000 | 2000 | 8.9 | 7.9 | 16.8 | 115 | 130 | 122 |
| 2" DROP + FLUSH | | 250 | 250 | 500 | 2.1 | 1.9 | 4.0 | 122 | 135 | 128 |
| | | 500 | 500 | 1000 | 4.3 | 3.7 | 8.0 | 123 | 138 | 130 |
| | | 750 | 750 | 1500 | 6.6 | 5.7 | 12.3 | 121 | 135 | 127 |
| | | 1000 | 1000 | 2000 | 8.9 | 7.9 | 16.8 | 116 | 130 | 122 |
| ASYMMETRIC + FLUSH | | 250 | 250 | 500 | 2.1 | 1.9 | 4.0 | 118 | 135 | 126 |
| | | 500 | 500 | 1000 | 4.3 | 3.7 | 8.0 | 119 | 138 | 128 |
| | | 750 | 750 | 1500 | 6.6 | 5.7 | 12.3 | 115 | 135 | 124 |
| | | 1000 | 1000 | 2000 | 8.9 | 7.9 | 16.8 | 112 | 130 | 122 |

LUMEN OUTPUT MULTIPLIER: 27K=0.94, 30K=0.97, 35K=1.00, 40K=1.01

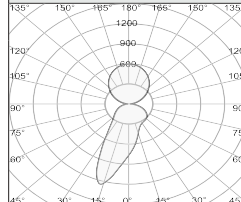
FL + WSO - FLUSH (DIRECT) + WIDESPREAD (INDIRECT)



3G-4PLI-DI-L500-L500-H90-FL-WSO

DELIVERED LUMENS: 1000 LM/FT
 SYSTEM WATTS: 8.0 W/FT
 EFFICACY: 122 LPW
 CRI: 90+
 CCT: 3500 K
 LENS OPTION: FLUSH (DIRECT)
 WSO (INDIRECT)

DASY + FL - ASYMMETRIC (DIRECT) + FLUSH (INDIRECT)



3G-4PLI-DI-L500-L500-H90-DASY-FL

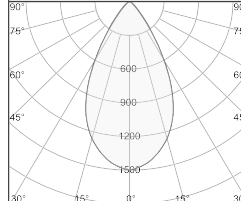
DELIVERED LUMENS: 1000 LM/FT
 SYSTEM WATTS: 8.0 W/FT
 EFFICACY: 128 LPW
 CRI: 90+
 CCT: 3500 K
 LENS OPTION: DASY (DIRECT)
 FLUSH (INDIRECT)

MICRO MADISON - BASED ON 65°, 90+ CRI AND 3500K SOURCE (PER FIXTURE HEAD)

| LUMEN OUTPUT | DELIVERED LUMENS | SYSTEM WATTS | EFFICACY (LPW) |
|----------------|------------------|--------------|----------------|
| 700 LM | 642 | 6.5 | 99 |
| 1000 LM | 930 | 9.2 | 101 |

LUMEN OUTPUT MULTIPLIER: 27K=0.94, 30K=0.97, 35K=1.00, 40K=1.01

65D - 65° BEAM ANGLE



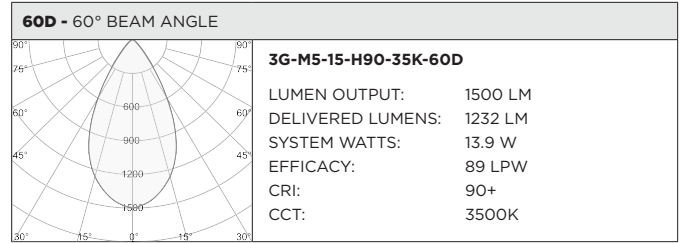
3G-M3-10-H90-65D

LUMEN OUTPUT: 1000 LM
 DELIVERED LUMENS: 930 LM
 SYSTEM WATTS: 9.2 W
 EFFICACY: 101 LPW
 CRI: 90+
 CCT: 3500K

2" FIXED DOWNLIGHT - BASED ON 60°, 90+ CRI AND 3500K SOURCE (PER FIXTURE HEAD)

| LUMEN OUTPUT | DELIVERED LUMENS | SYSTEM WATTS | EFFICACY (LPW) |
|----------------|------------------|--------------|----------------|
| 1000 LM | 893 | 10.2 | 88 |
| 1500 LM | 1232 | 13.9 | 89 |
| 2200 LM | 1931 | 22.0 | 88 |

LUMEN OUTPUT MULTIPLIER: 27K=0.94, 30K=0.97, 35K=1.00, 40K=1.01



4" ADJUSTABLE ZOIE - BASED ON 35°, 90+ CRI AND 3500K SOURCE

| FIXTURE TYPE | DELIVERED LUMENS | SYSTEM WATTS | EFFICACY (LPW) |
|----------------|------------------|--------------|----------------|
| 4" ZOIE | 400 | 4.4 | 91 |
| | 800 | 9.2 | 87 |

LUMEN OUTPUT MULTIPLIER: 27K=0.94, 30K=0.97, 35K=1.00, 40K=1.01

