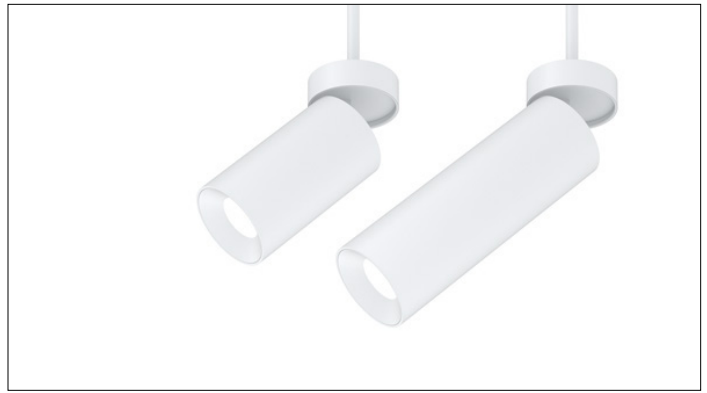


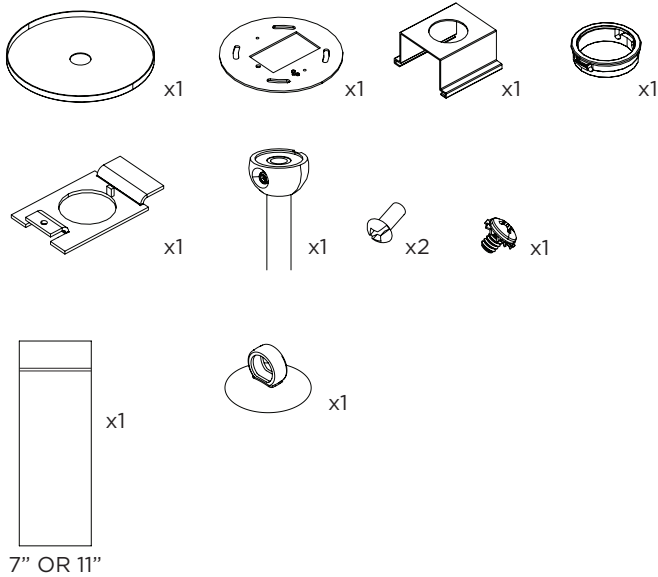
3.3" ADJUSTABLE DOWNLIGHT CYLINDER PENDANT

STEM PENDANT MOUNT

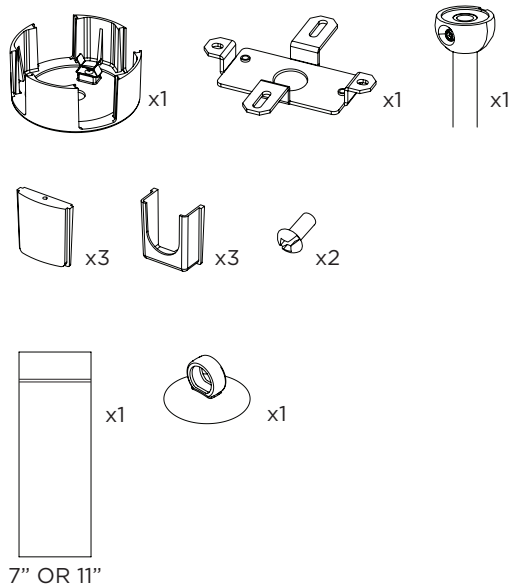


COMPONENTS

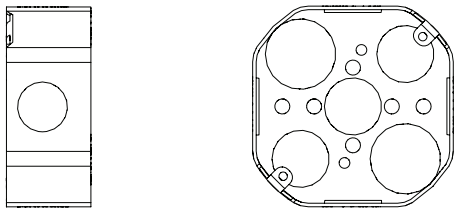
STANDARD CANOPY



CONDUIT FEED CANOPY

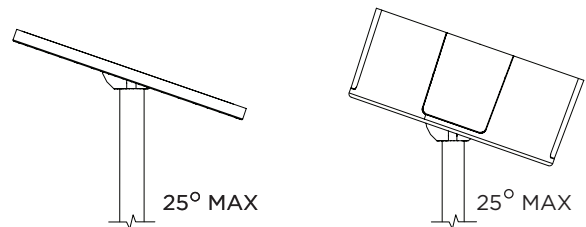


4" OCTAGONAL J-BOX REQUIRED FOR INSTALLATION



JUNCTION BOX (BY OTHERS)

SUITABLE FOR SLOPED CEILING

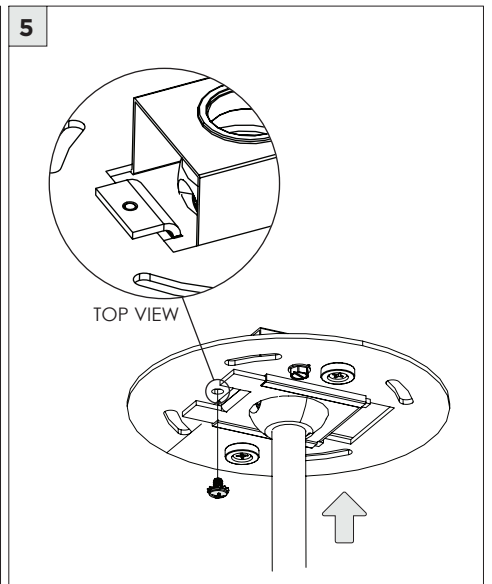
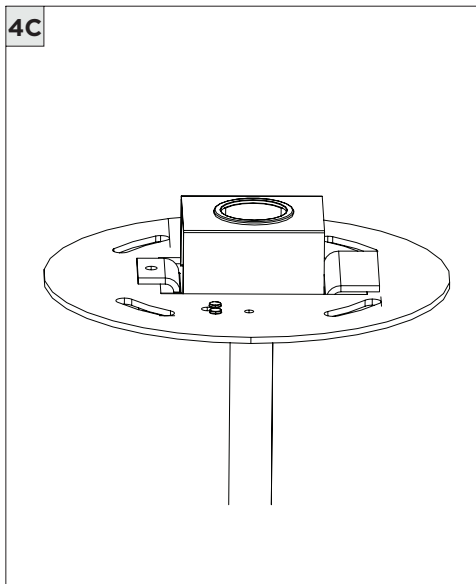
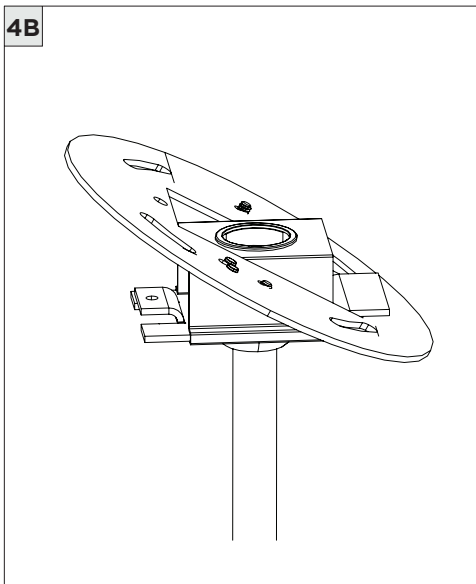
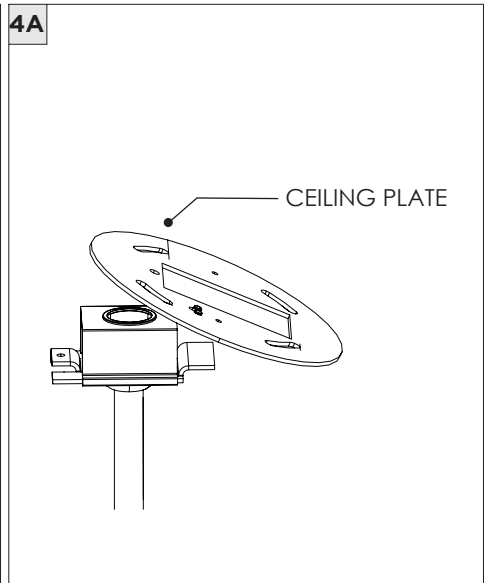
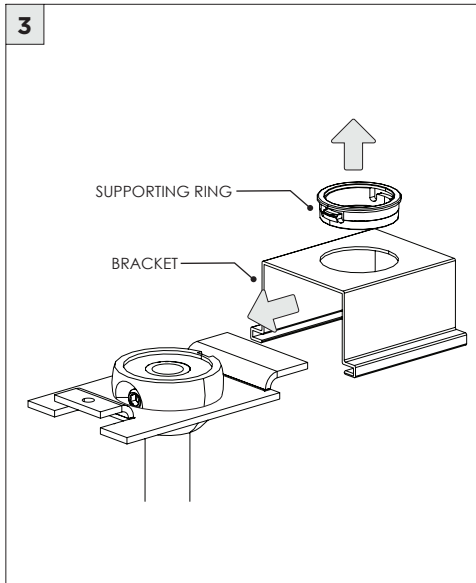
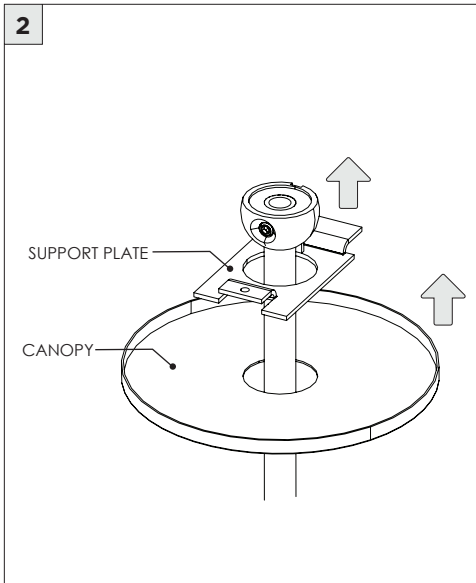
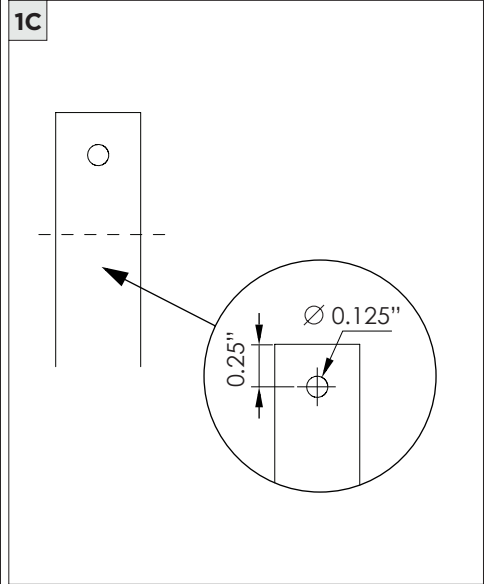
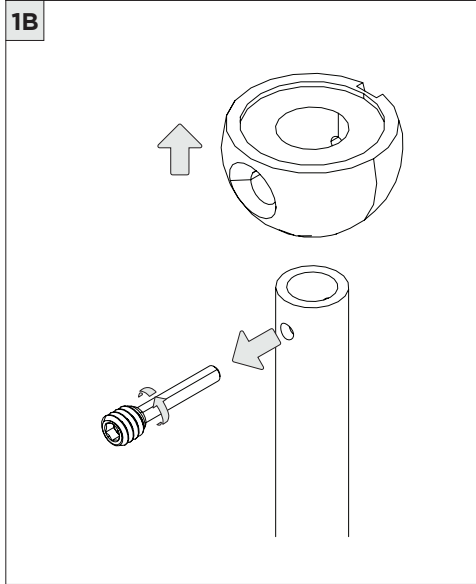
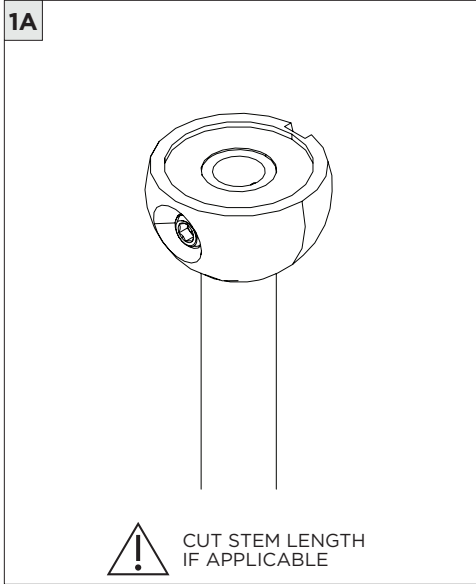


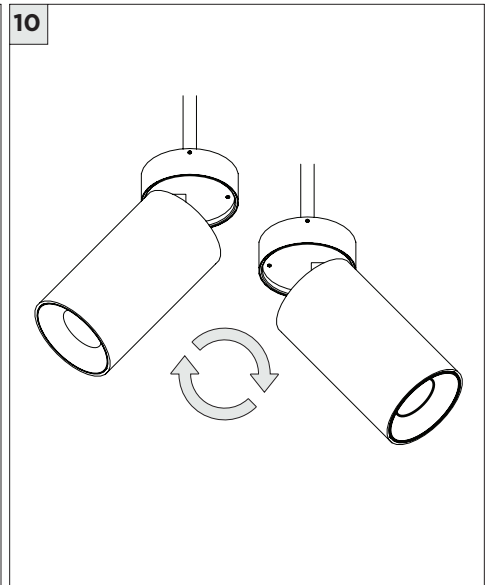
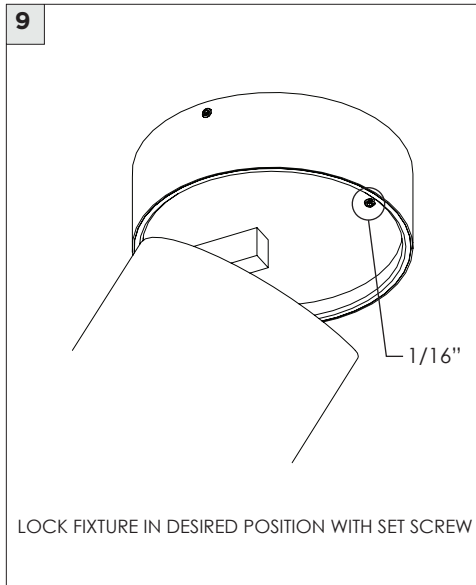
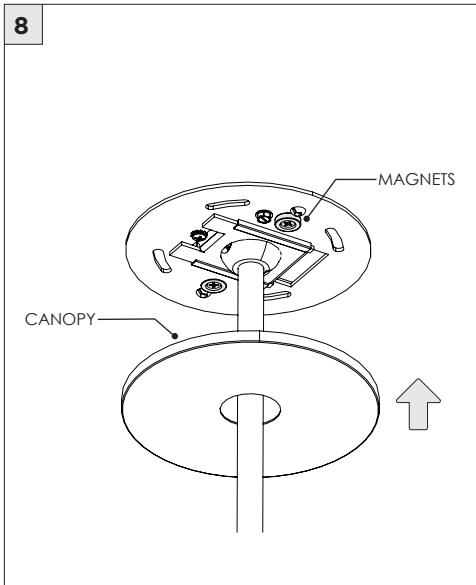
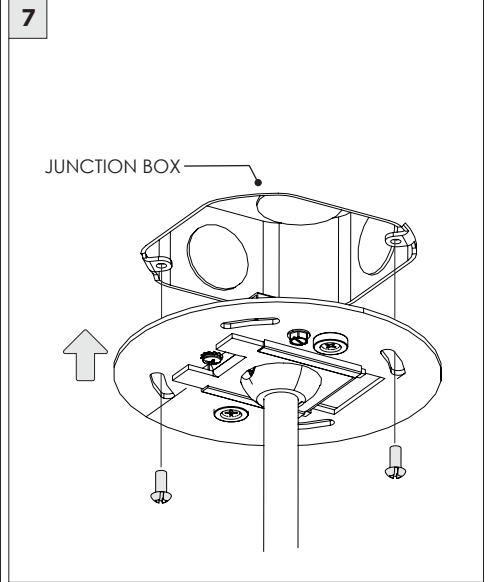
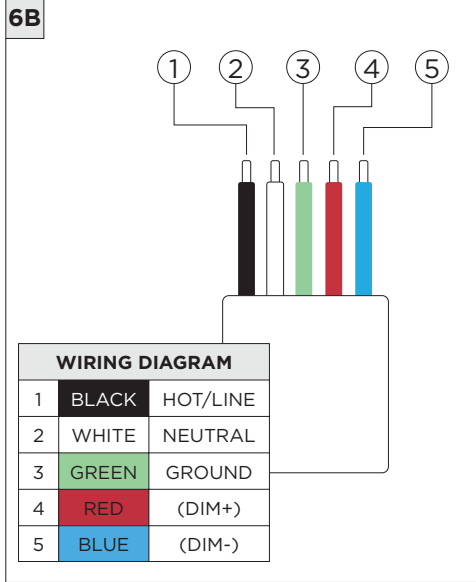
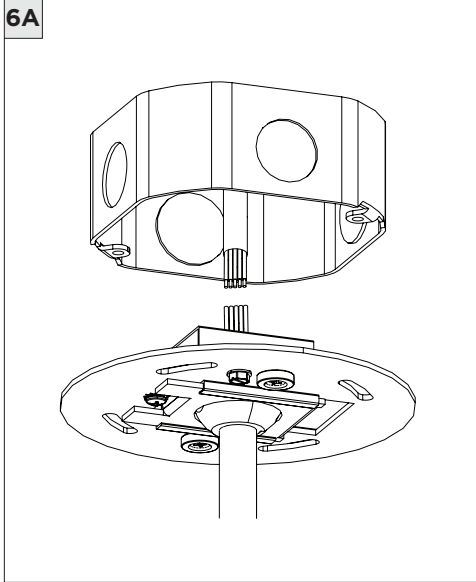
INSTRUCTION KEY

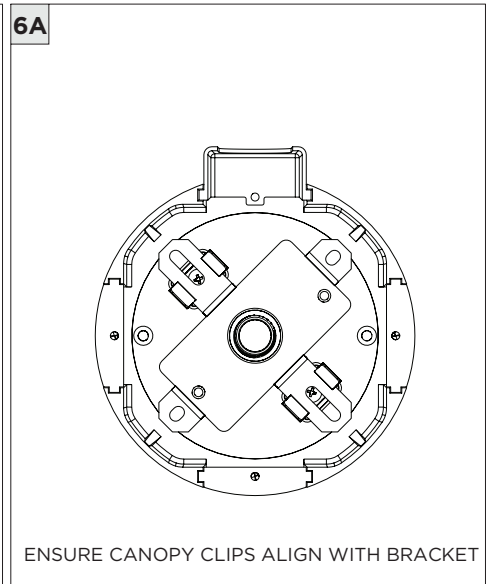
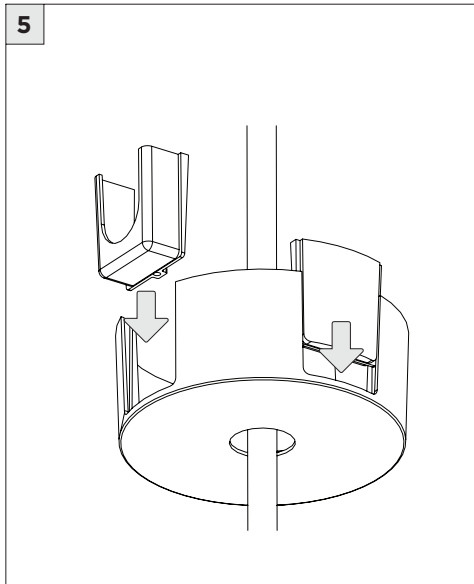
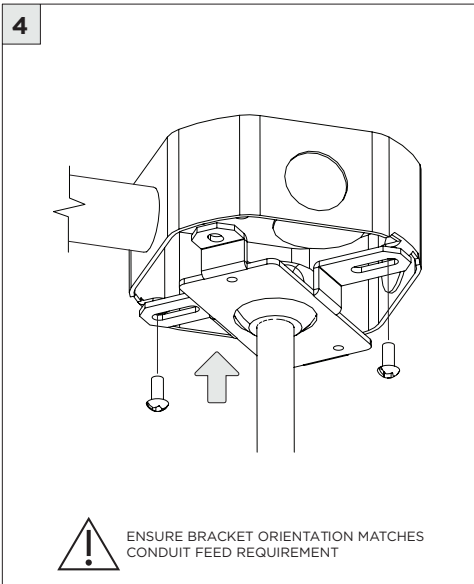
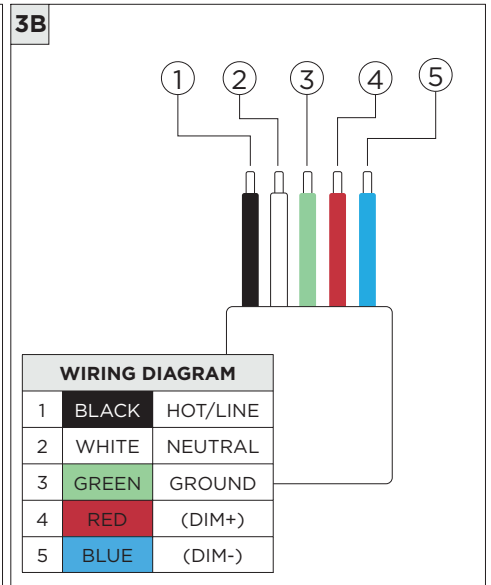
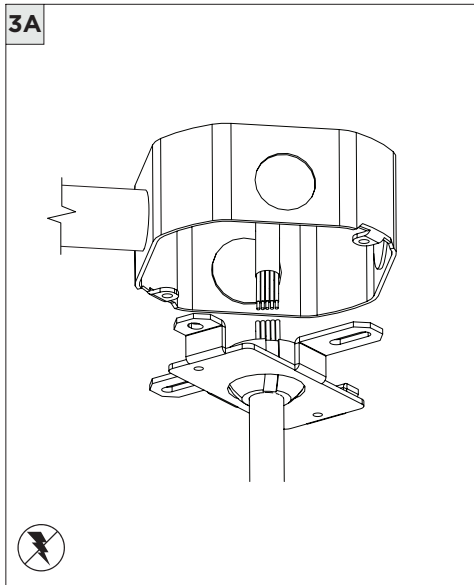
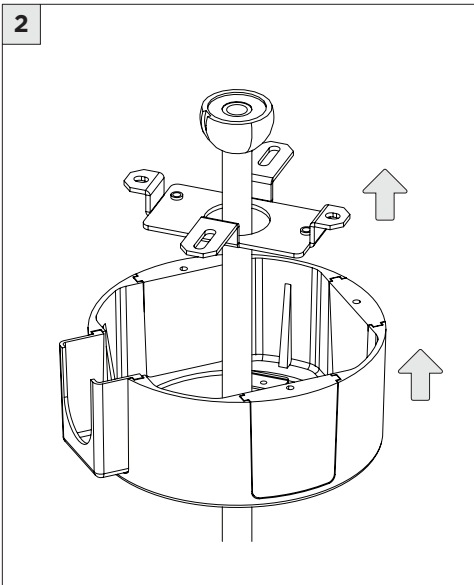
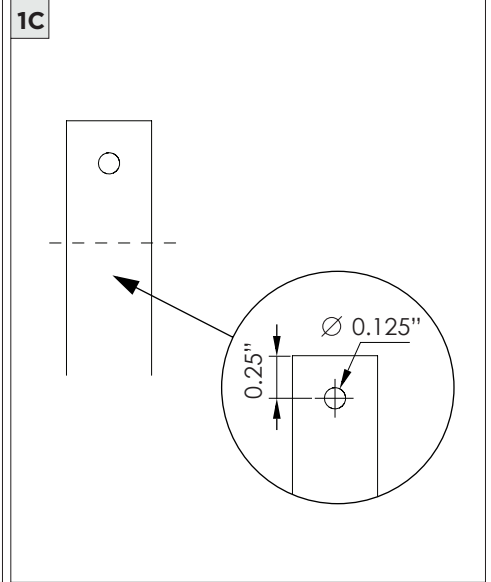
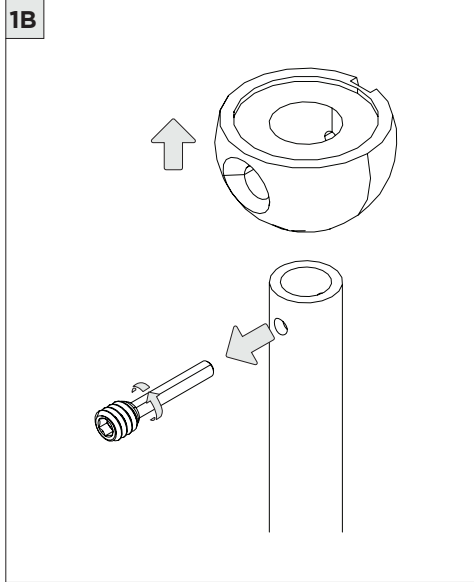
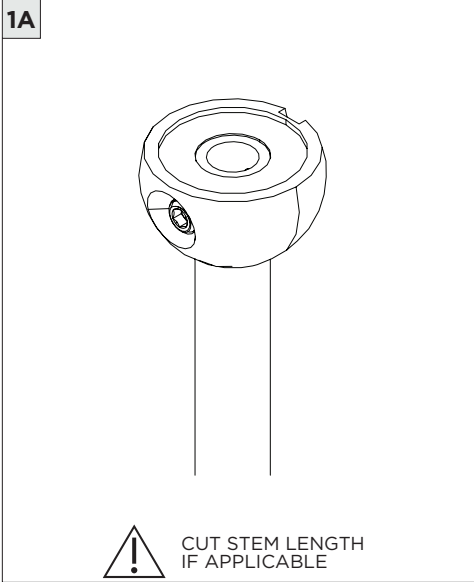
- ADDITIONAL
- ATTENTION
- POWER ON
- POWER OFF

INFORMATION

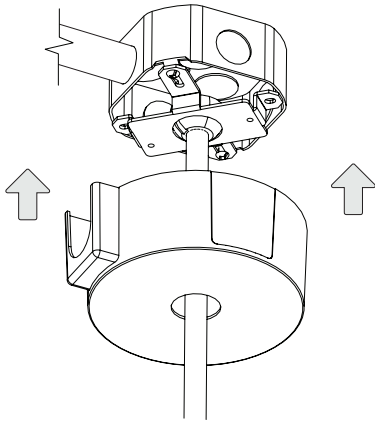
INSTALLATION SHOULD ONLY BE PERFORMED BY A CERTIFIED ELECTRICIAN
 REFER TO LOCAL/NATIONAL CODES FOR PROPER INSTALLATION
 FAILURE TO FOLLOW INSTALLATION INSTRUCTION MAY VOID THE WARRANTY
 DO NOT TOUCH LEDS. LEDS MUST BE PROTECTED FROM MECHANICAL STRESS OR DEBRIS
 TURN OFF POWER DURING INSTALLATION OR SERVICING



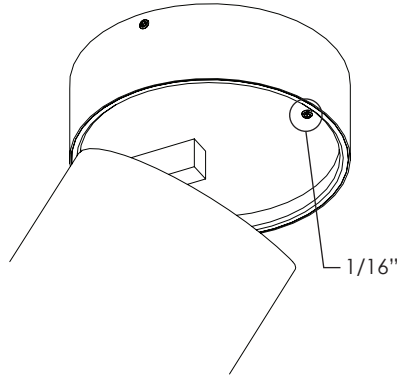




6B

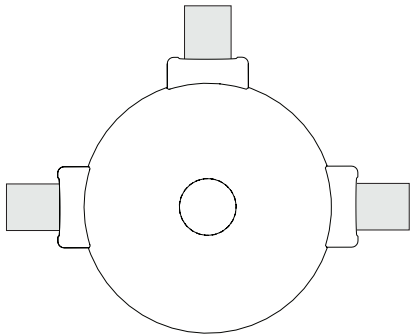
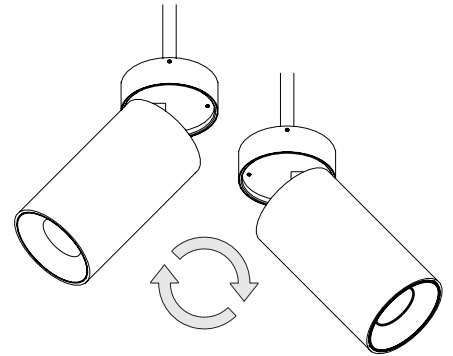


7

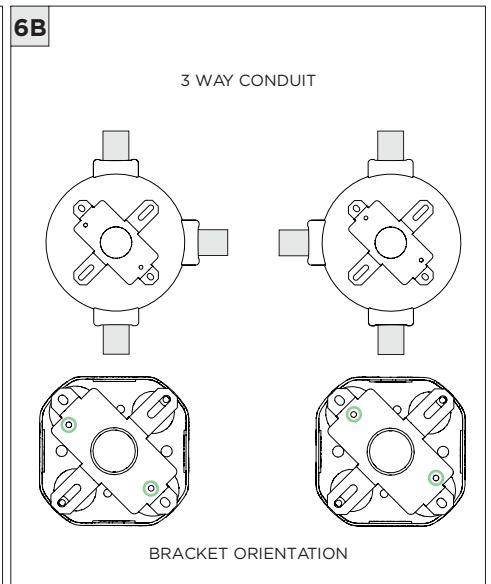
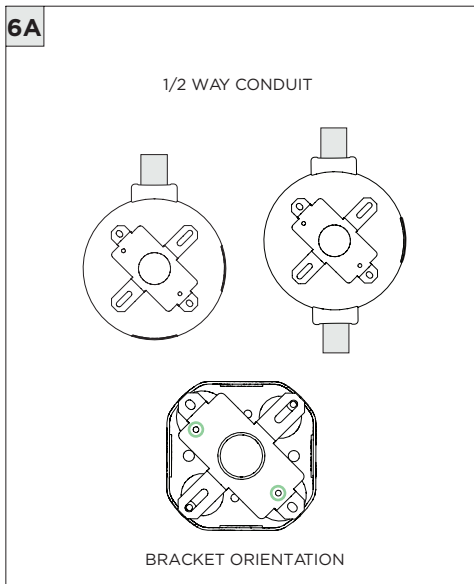
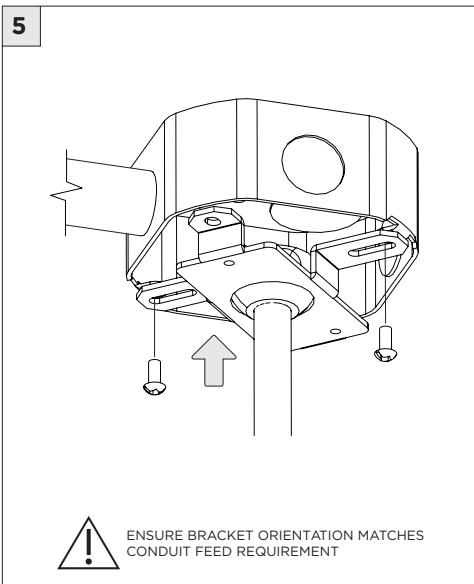
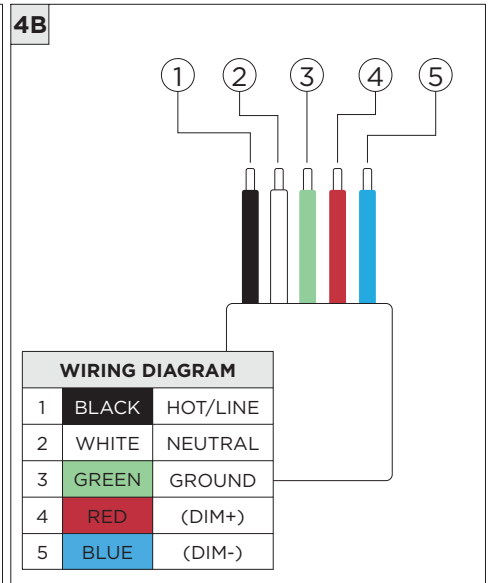
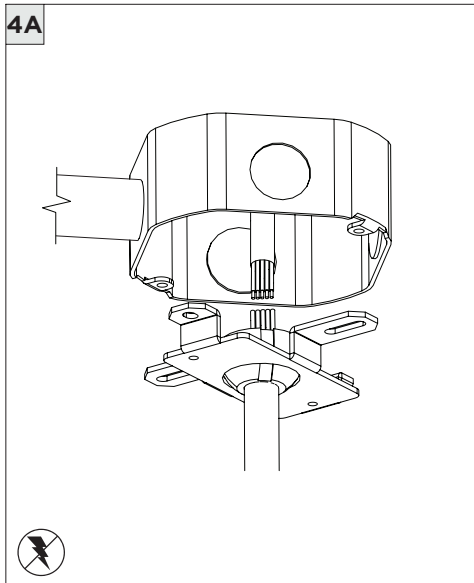
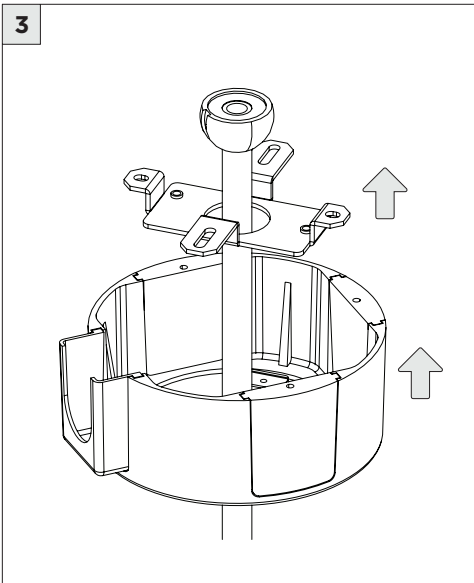
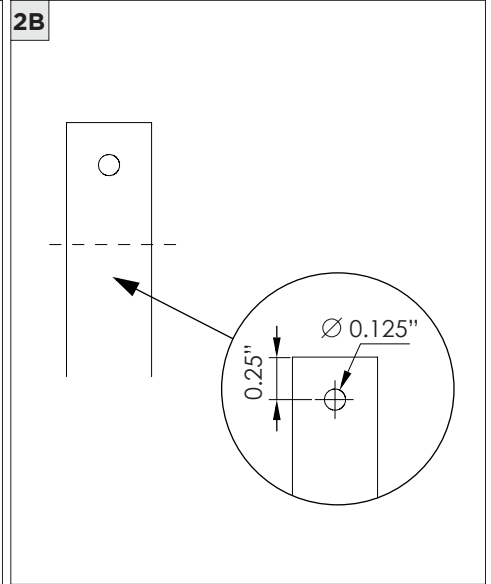
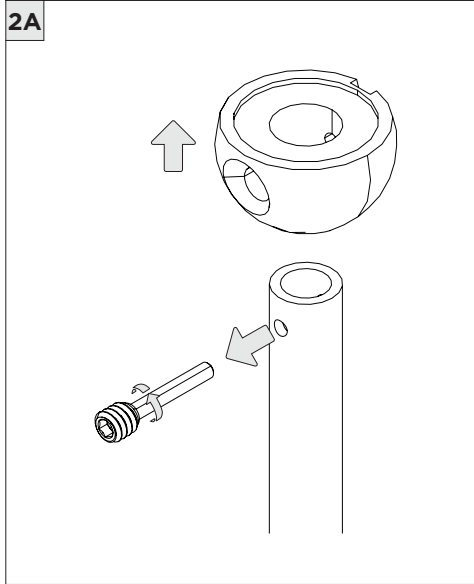
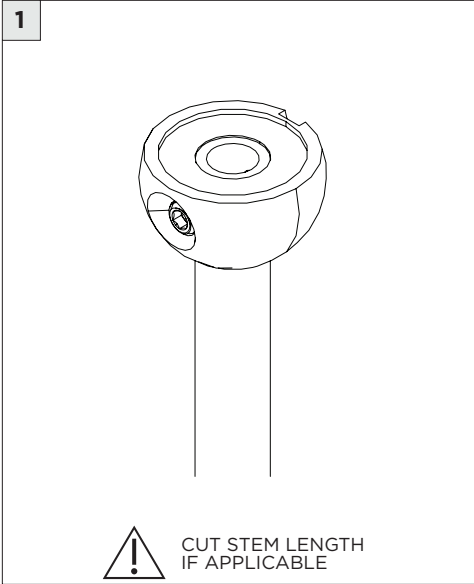


LOCK FIXTURE IN DESIRED POSITION WITH SET SCREW

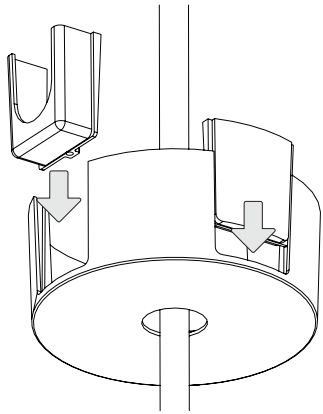
8



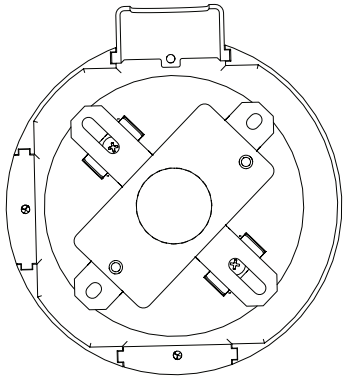
CANOPY IS SUITABLE FOR
MAXIMUM 3 CONDUIT FEEDS



7

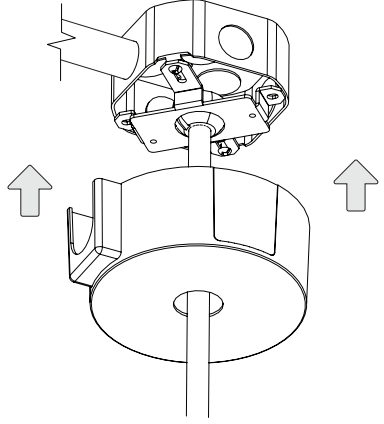


8

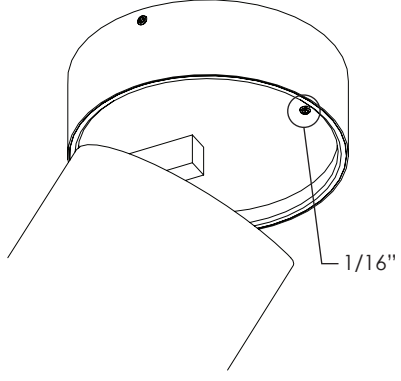


ENSURE CANOPY CLIPS ALIGN WITH BRACKET

9

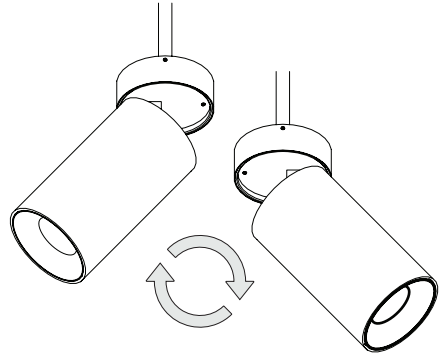


10



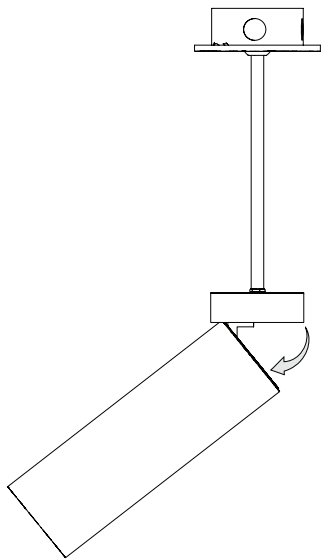
LOCK FIXTURE IN DESIRED POSITION WITH SET SCREW

11

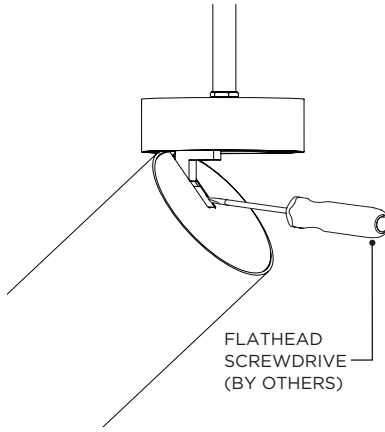


DRIVER SERVICING

1

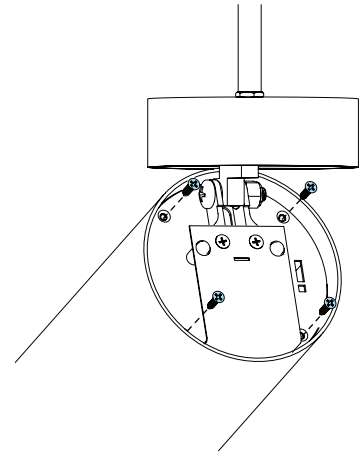


2

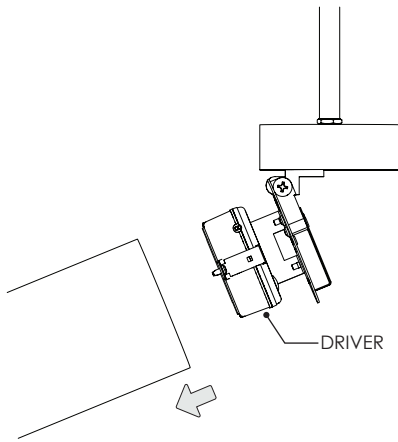


REMOVE MAGNETIC PLATE

3



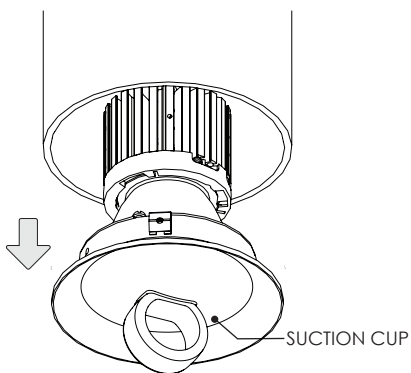
5



DRIVER

LED SERVICING

1



SUCTION CUP

DISCONNECT LED WIRES AND REMOVE LED INSERT

2

