

3G LIGHTING

3G-4RGZ

WALL GRAZER
TUNABLE WHITE



Narrow 3.5" x 3.5" aperture with one piece extruded aluminum housing
Adjustable LED profile ensures textured surfaces are evenly illuminated
Designed for continuous runs in 1' increments as standard
End filler option is field cuttable for odd lengths
Suitable for drywall, grid, wood, and various architectural ceilings
LED system with performance up to 119 lumens per watt
1% dimming standard with several integral driver options



PROJECT:		TYPE:	
CATALOG#:		DATE:	QTY:

CAT. NO	LED SOURCE	LUMEN OUTPUT	CRI	VOLTAGE
3G-4RGZ	TW - TUNABLE WHITE (2700K-6500K)	L250 - 250 LM/FT ¹ L500 - 500 LM/FT L750 - 750 LM/FT L1000 - 1000 LM/FT ² LC___ - CUSTOM OUTPUT (SPECIFY LM/FT) * <small>*Specify custom lumen outputs in 50lm increments (ie: LC600, LC650, LC700) Custom output cannot exceed L1000</small>	S80 - 80+ CRI H90 - 90+ CRI ¹	UNV - 120/277V

DRIVER	FLANGE TYPE	OPTIONS	RUN TYPE
DO1 - 0-10V (100-0.1%) DALI - DALI (100-1%) DMX - DMX (100-0%) DHLT - LUTRON T-SERIES (100-0.1%)	GCX - GRID CEILING * (UNIVERSAL MOUNT) WT - WHITE TRIM FLANGE XTR - TRIMLESS (MUD-IN DRYWALL) FX - FLANGELESS <small>*Universal mounting brackets used for all grid ceiling types only. See mounting section for details</small>	CP - CHICAGO PLENUM EF - END FILLER * EMC - EMERGENCY CIRCUIT ⁴ <small>*End filler option for odd lengths (non illuminated)</small>	S - ___' (STRAIGHT) * L - ___'X ___' (L-SHAPE) U - ___'X ___'X ___' (U-SHAPE) <small>Specify runs in 1' increments Use end filler option for odd lengths</small>

¹ L250 (250LM/FT) not available in 2' and 3' lengths. Specify LC400 for 2' and 3' fixture lengths when outputs lower than 500LM/FT are required

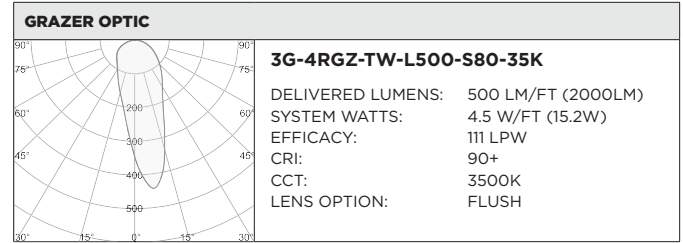
² L1000 (1000LM/FT) not available for H90 (90+ CRI)

3GT - Tunable White

BASED ON 4' LENGTH (TUNABLE WHITE AND 80+ CRI)

COLOR TEMP	DELIVERED LUMENS (LM/FT)	SYSTEM WATTS (W/FT)	EFFICACY (LPW)
2700K	250	2.4	96
	500	4.9	95
	750	7.5	94
	1000	10.0	93
3500K	250	2.4	104
	500	4.9	103
	750	7.5	102
	1000	10.0	100
6500K	250	2.4	119
	500	4.9	118
	750	7.5	116
	1000	10.0	115

EFFICACY (LPW) ADJUSTMENT FACTOR: 90CRI=0.88



HOUSING

Extruded aluminum housing with narrow 3.5" aperture
 Individual units and continuous runs available in 1' increments
 End filler option available for odd lengths. 6" non illuminated sections provided (field cuttable)
 Trim flange with matte white powder coated finish and minimal 0.400" overlap
 Trimless model features a satin coat mudding flange for seamless ceiling integration
 Standard polyester powder coated matte white finish

OPTICS

Adjustable LED profile ensures all textured wall surfaces are evenly illuminated (field adjustable post installation)
 Proprietary, high performance wall grazer optic made from extruded acrylic

LISTING

ETL listed and conforms to UL1598 standard. Certified to CSA22.2 NO.250.0. Rated for indoor dry or damp locations

WARRANTY

5 Year Warranty on LED and drivers
 Manufacturer 1 Year Warranty for defects in material and workmanship under normal use
 Ambient temperature at fixture should not exceed 25°C

ELECTRICAL

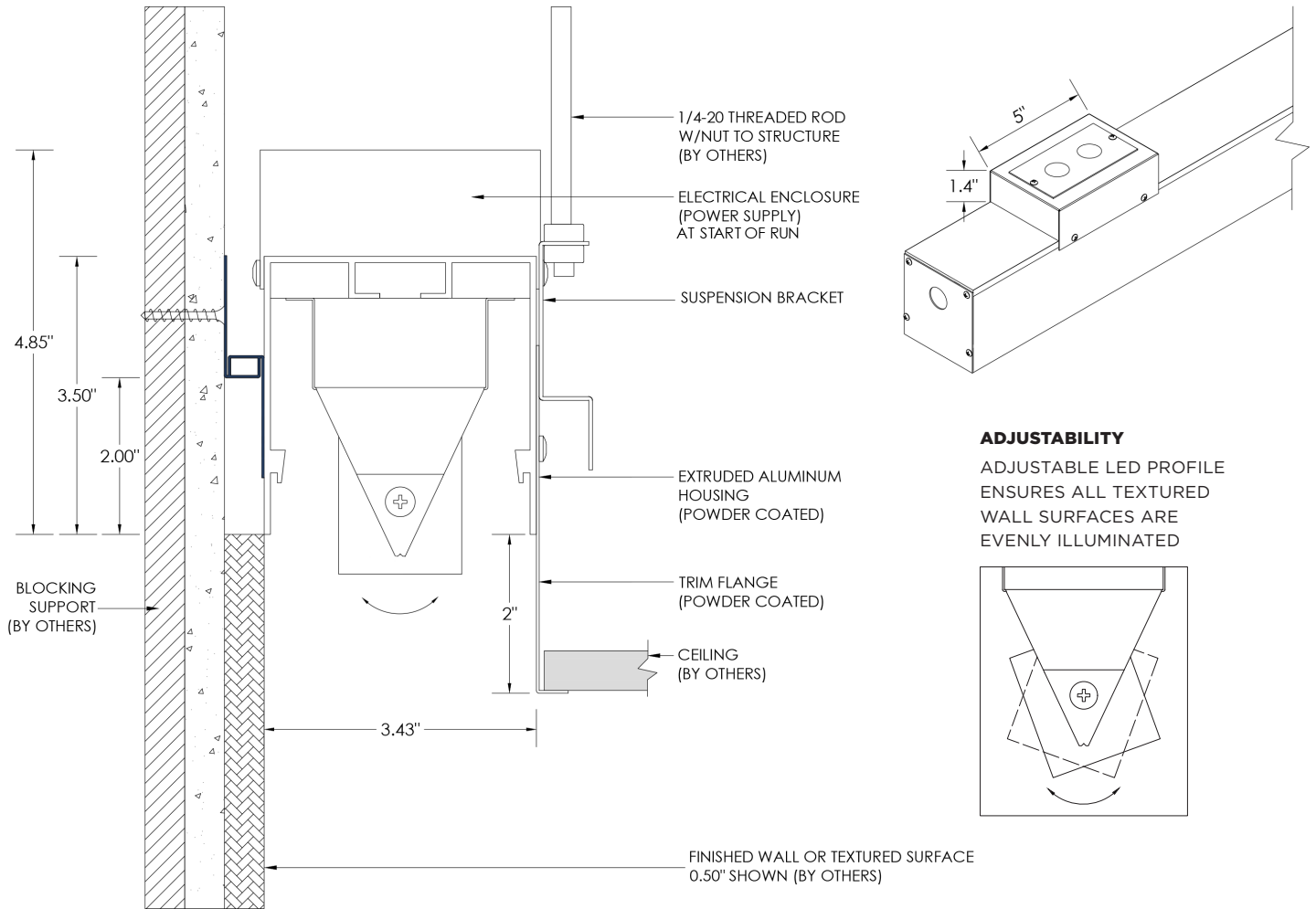
Luminaires are pre-wired with factory installed quick connects and branch circuit wiring
 Multiple driver options available for tunable white LED system
 All drivers are integral and easily accessible through luminaire aperture

LED SYSTEM

Proprietary LED system with color consistency <3 SDCM
 2700K-6500K CCT range
 Standard 80+CRI. Optional 90+CRI. (R9 value of 56 for 90+CRI)
 L90 >60,000 hours
 5 Year Warranty

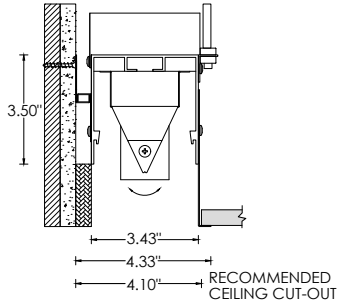
MOUNTING

New construction housing suspended via 1/4" threaded rod or suspension cables (by others)
 Trim fixture designed for use in drywall, wood, and other architectural ceiling materials
 Trimless fixture designed for use in drywall, mud-in ceiling applications
 Flangeless fixture designed for use in wood ceilings
 Suitable for various grid ceiling applications (see mounting details)
 Fixture weight: +/- 4 lbs/ft

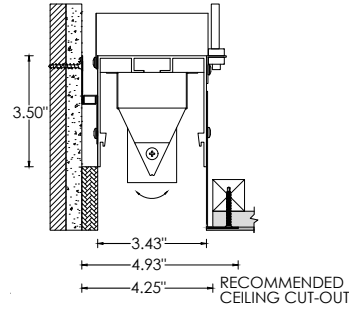


HARD CEILING MOUNTING TYPES

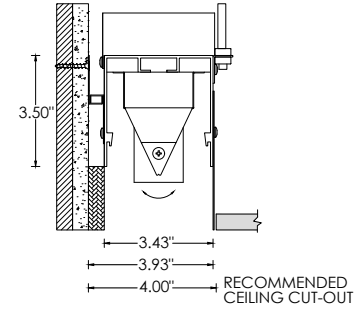
WT - TRIM



XTR - TRIMLESS

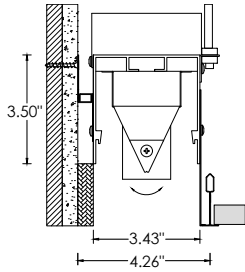


FX - FLANGELESS

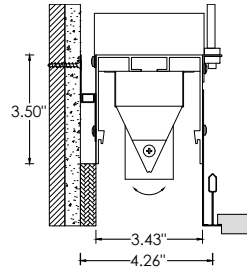


GRID CEILING MOUNTING TYPES

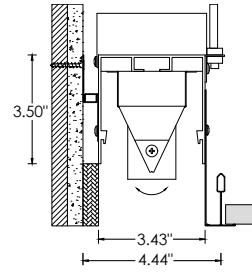
9L - 9/16" LAYIN



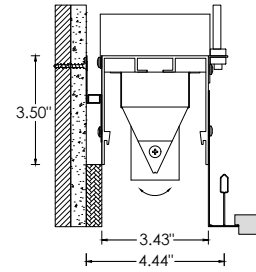
9TG - 9/16" TEGULAR



15L - 15/16" LAYIN



15TG - 15/16" TEGULAR



9ST - 9/16" SLOT TEE TEGULAR

