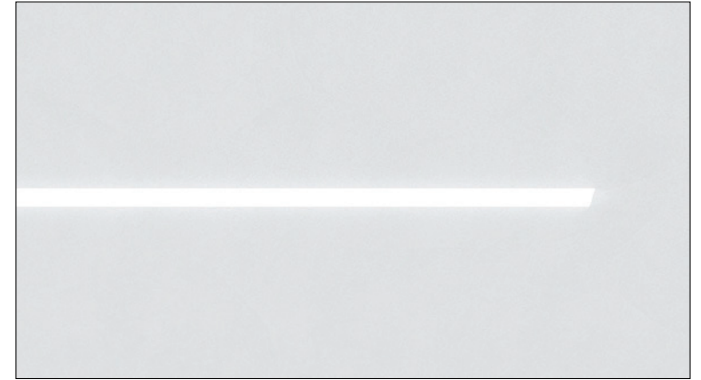
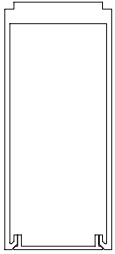
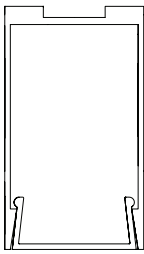
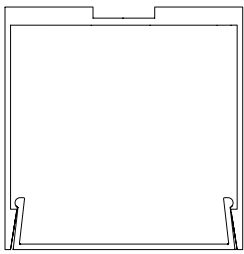
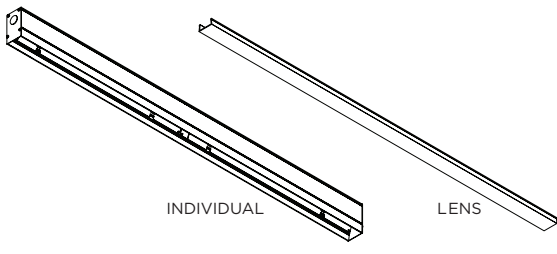
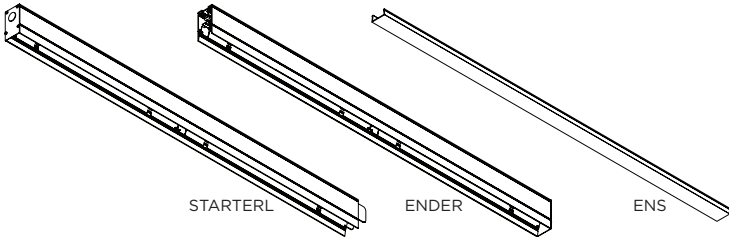
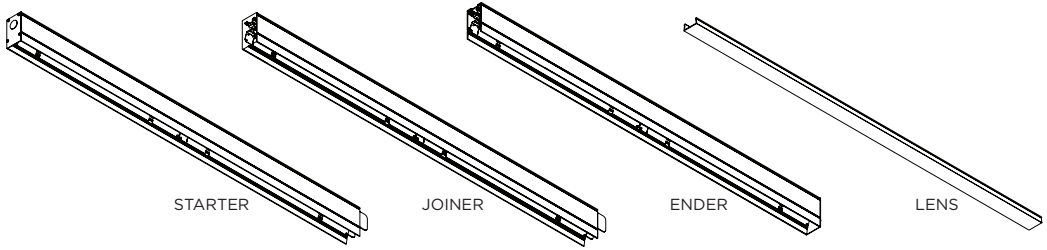




3G-1RLI, 3G-2RLI, and 3G-4RLI
1.5", 2", and 3.5" RECESSED LINIA
 GRID CEILING

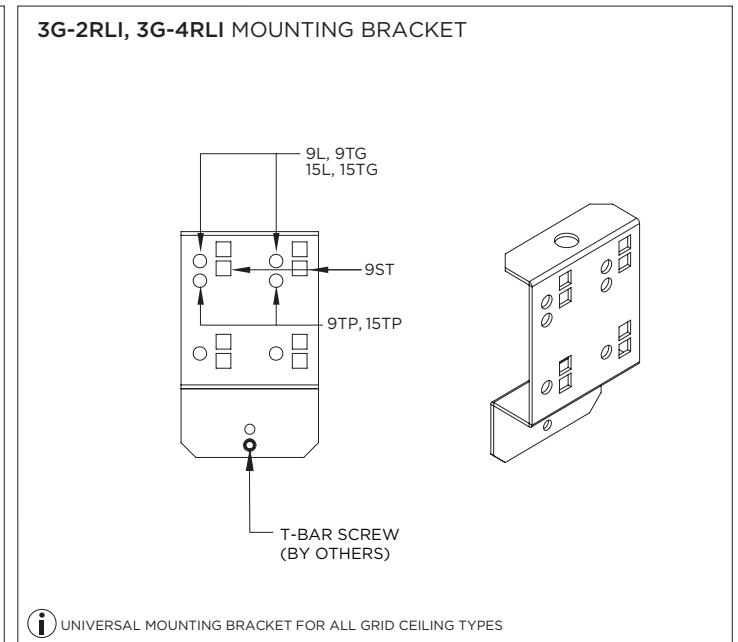
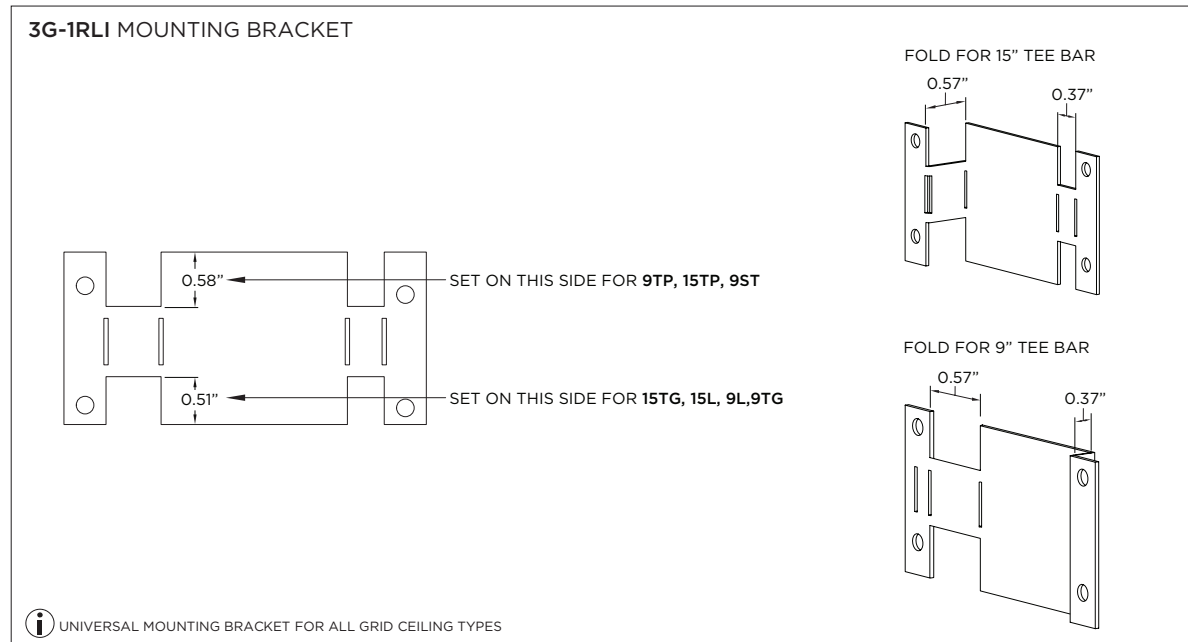
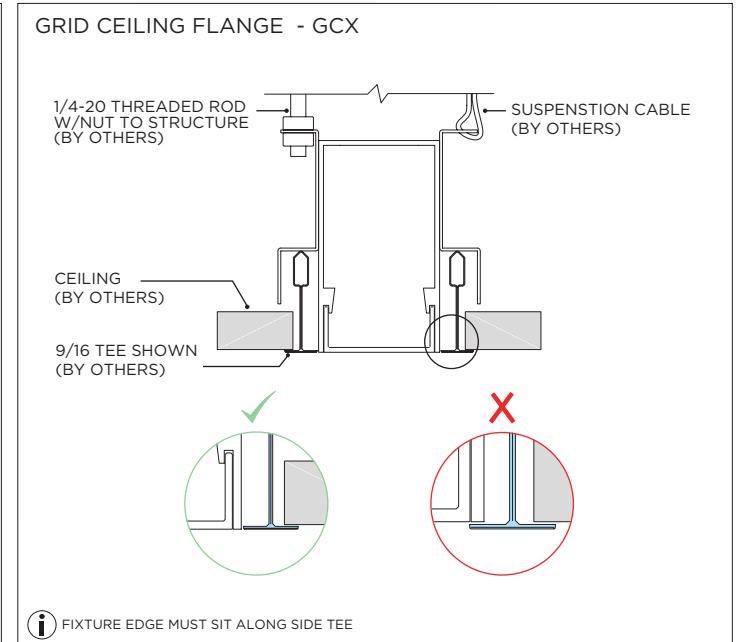
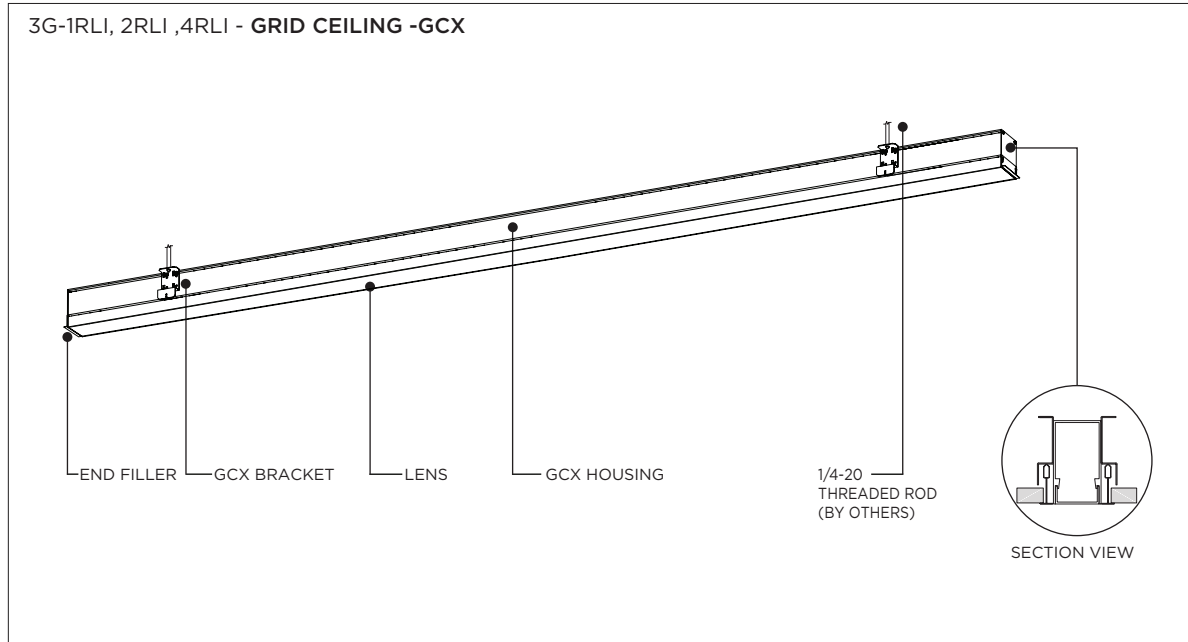


⚠ FOR **NEW CONSTRUCTION** INSTALLATION ONLY

FIXTURE TYPES			INCLUDED COMPONENTS	
<p>1RLI PROFILE</p> 	<p>2RLI PROFILE</p> 	<p>4RLI PROFILE</p> 	<p>Standalone Fixtures (2' to 8')</p>  <p>INDIVIDUAL LENS</p>	
<p>Continuous Runs (9' to 16')</p>  <p>STARTERL ENDER ENS</p>			<p>Continuous Runs (17' and longer)</p>  <p>STARTER JOINER ENDER LENS</p>	

INSTRUCTION KEY	INFORMATION
⚠	ADDITIONAL
ⓘ	ATTENTION
⚡	POWER ON
ⓧ	POWER OFF
	<p>INSTALLATION SHOULD ONLY BE PERFORMED BY A CERTIFIED ELECTRICIAN REFER TO LOCAL/NATIONAL CODES FOR PROPER INSTALLATION FAILURE TO FOLLOW INSTALLATION INSTRUCTION MAY VOID THE WARRANTY DO NOT TOUCH LEDS. LEDS MUST BE PROTECTED FROM MECHANICAL STRESS OR DEBRIS TURN OFF POWER DURING INSTALLATION OR SERVICING</p>

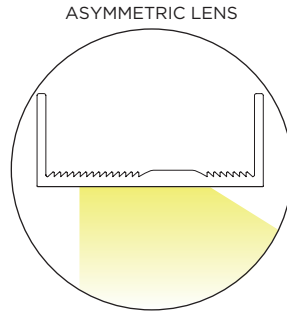
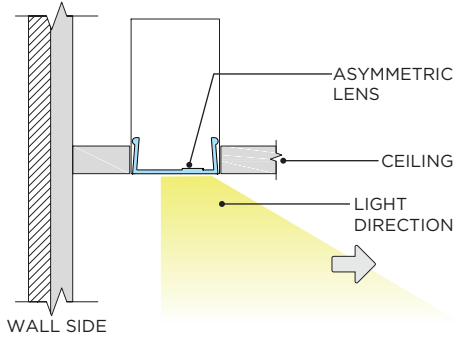
OVERVIEW



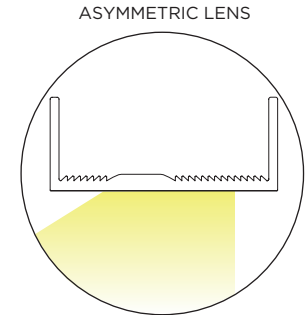
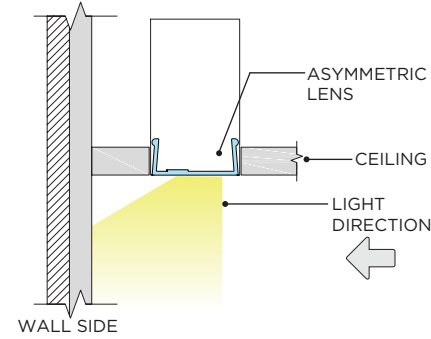
ASYMMETRIC LENS ORIENTATION

3G-1RLI, 3G-2RLI-ASYMMETRIC LENS

ROOM SIDE DISTRIBUTION

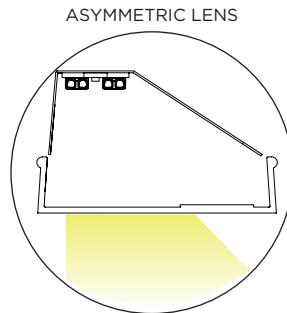
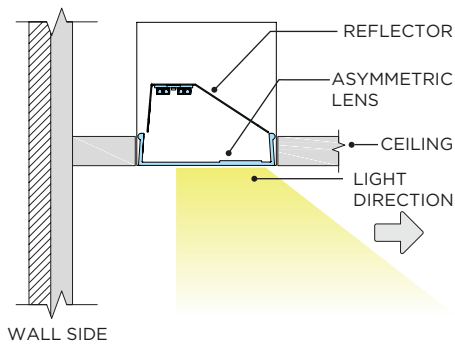


WALL GRAZING DISTRIBUTION

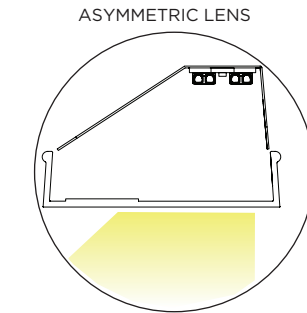
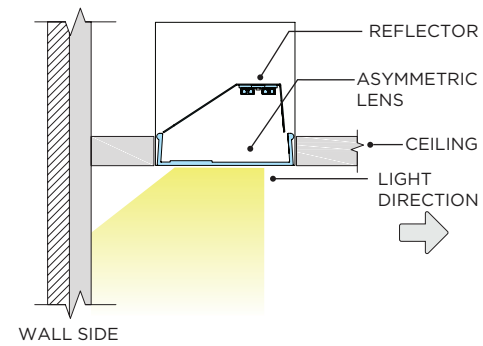


3G-4RI-ASYMMETRIC LENS/REFLECTOR ORIENTATION

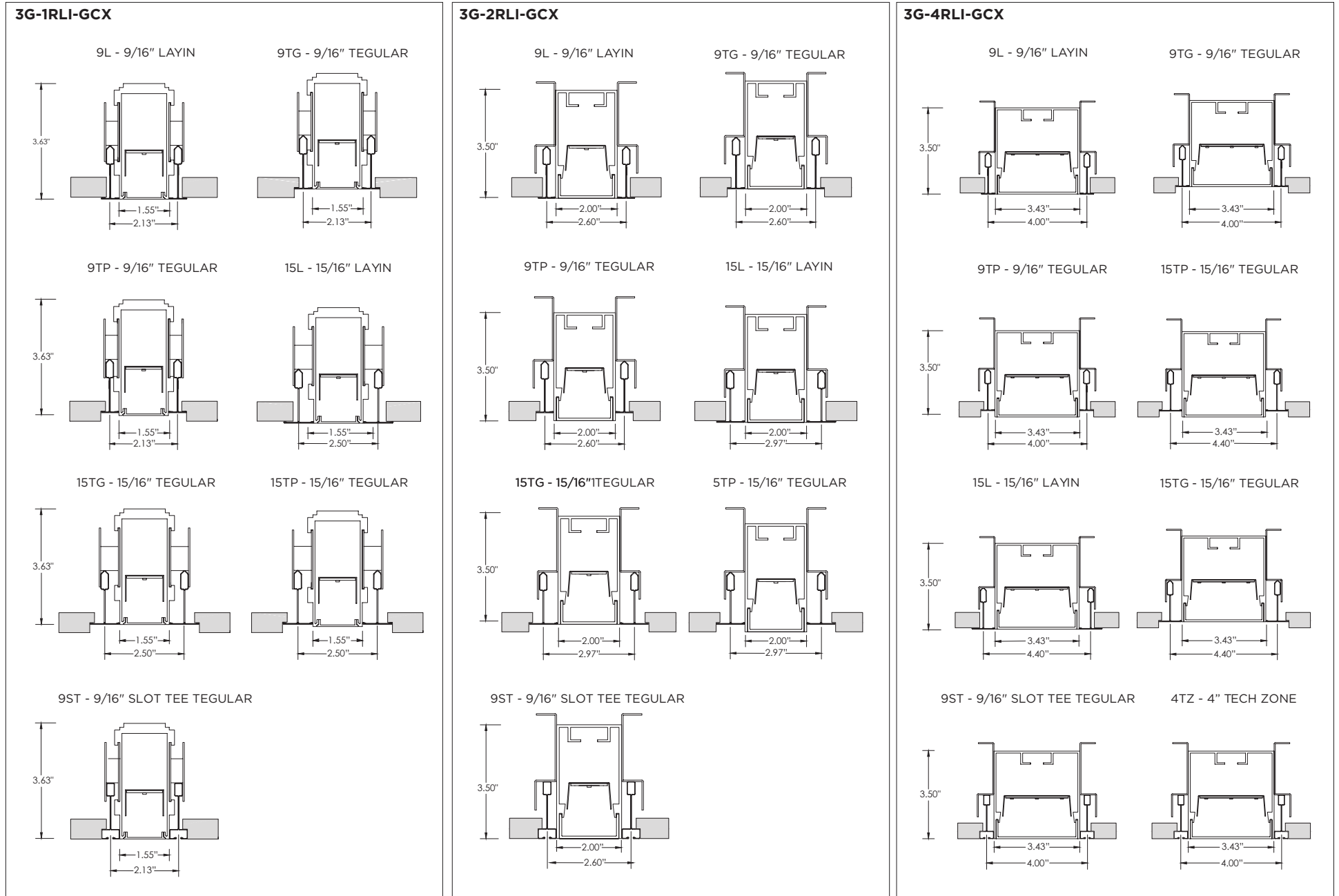
ROOM SIDE DISTRIBUTION



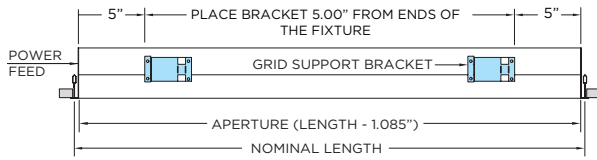
WALL GRAZING DISTRIBUTION



MOUNTING TYPES & T-BAR WIDTH

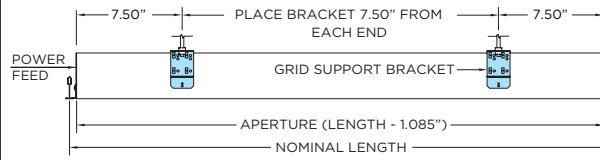


3G-1RLI MOUNTING BRACKET LOCATION



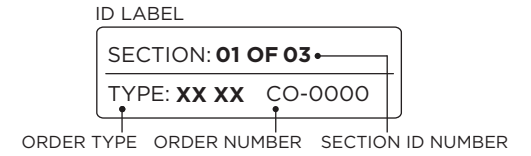
i APERTURE = (LENGTH - 1.085") APPLIED ONLY ON STARTER SECTION OR STANDALONE FIXTURE.

3G-2RLI, 3G-4RLI MOUNTING BRACKET LOCATION



i APERTURE = (LENGTH - 1.085") APPLIED ONLY ON STARTER SECTION OR STANDALONE FIXTURE.

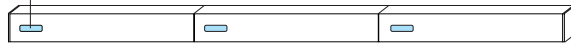
IDENTIFICATION AND PREPARATION



i IDENTIFY FIXTURE SECTIONS BY THE ID LABELS FOUND ON THE BOX INSIDE THE SECTIONS

ID LABEL

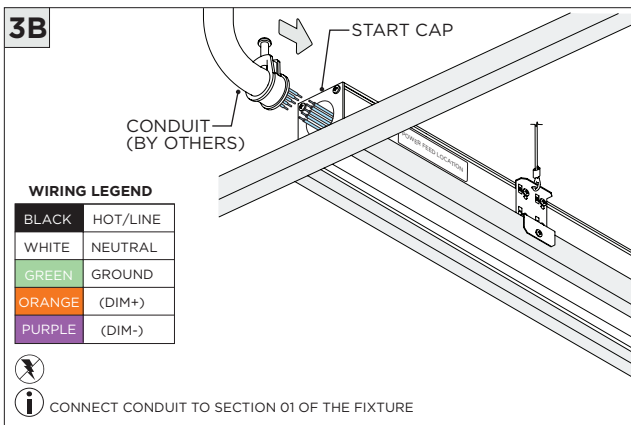
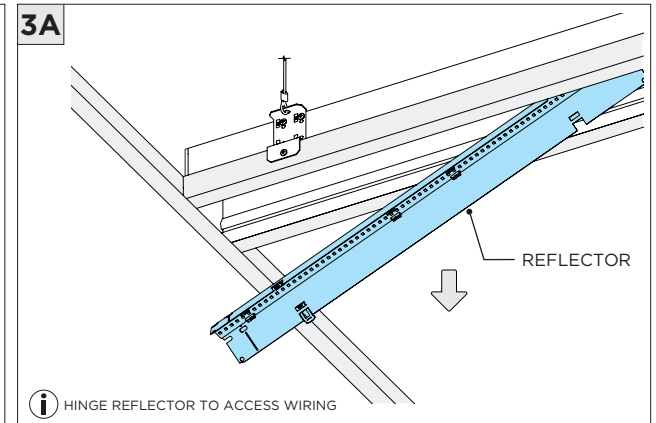
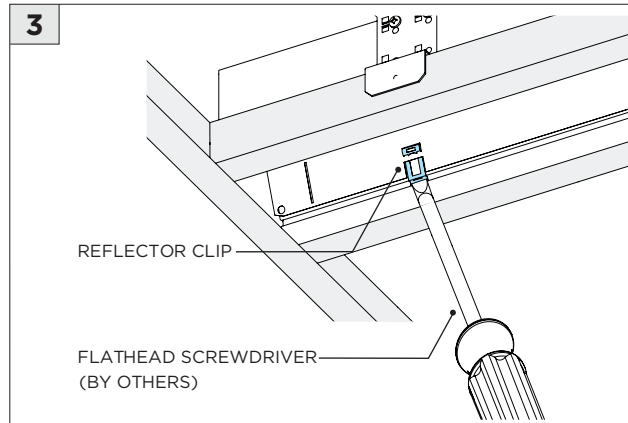
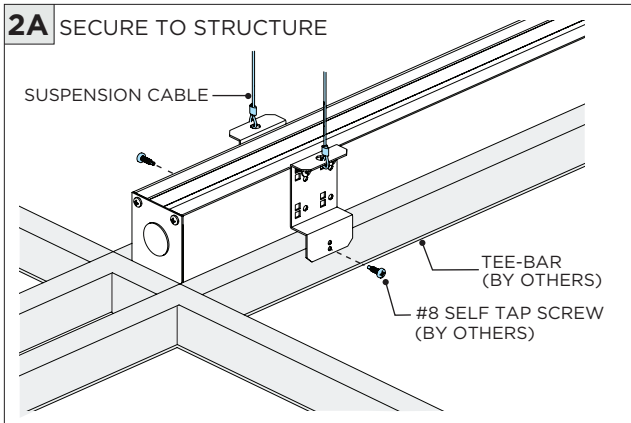
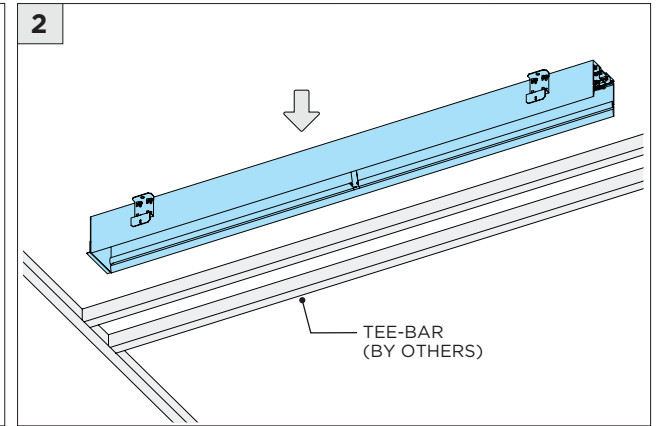
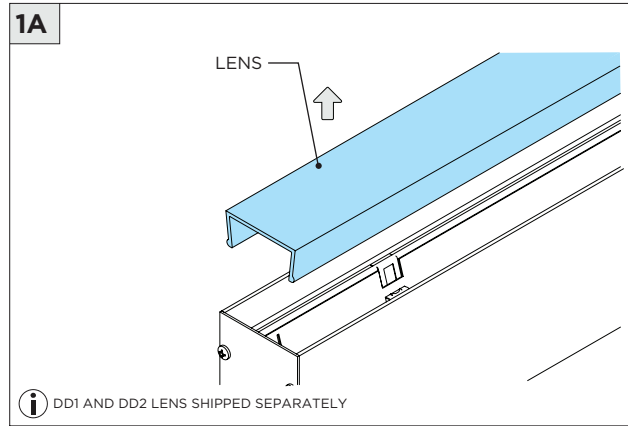
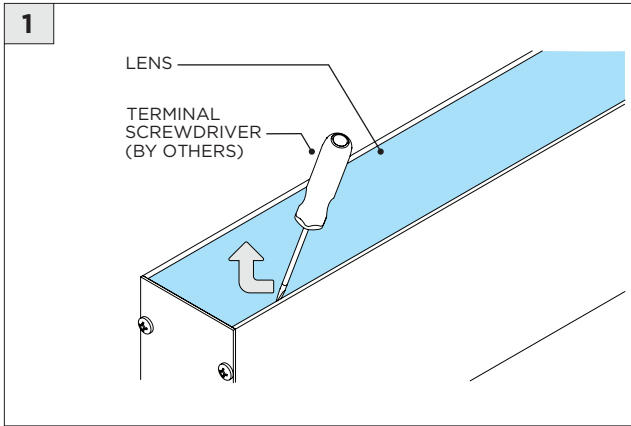
SECTION: **01 OF 03**
TYPE: **XX XX** CO-0000

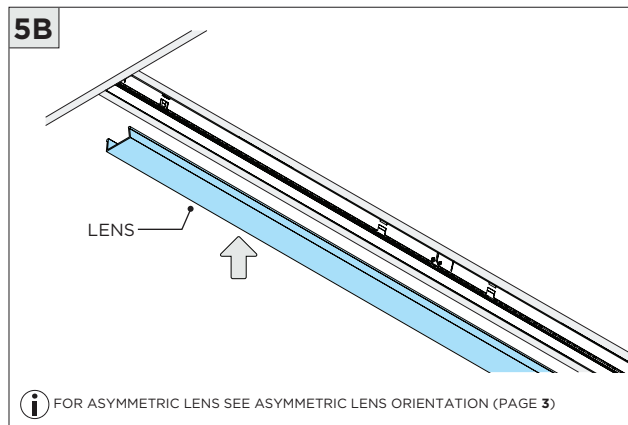
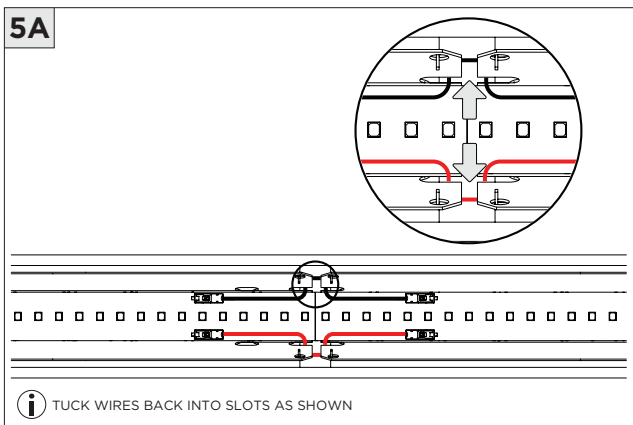
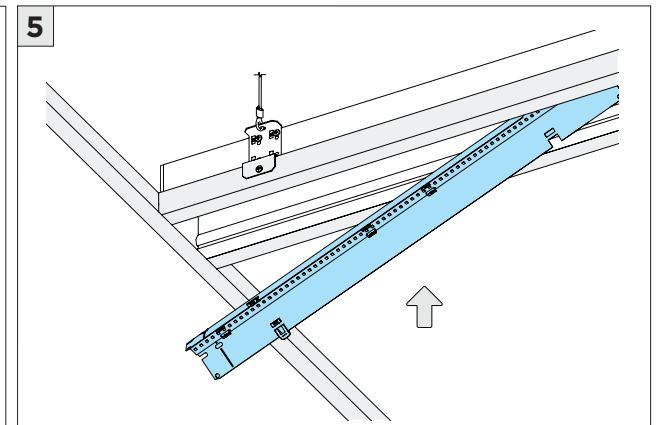
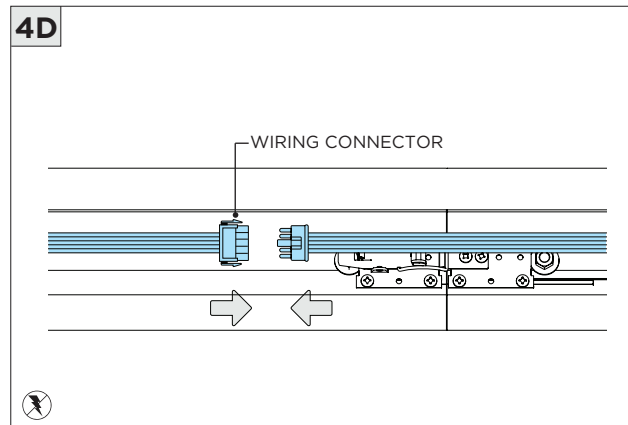
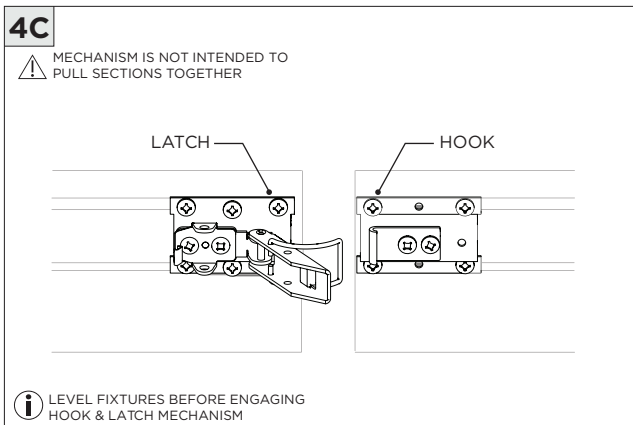
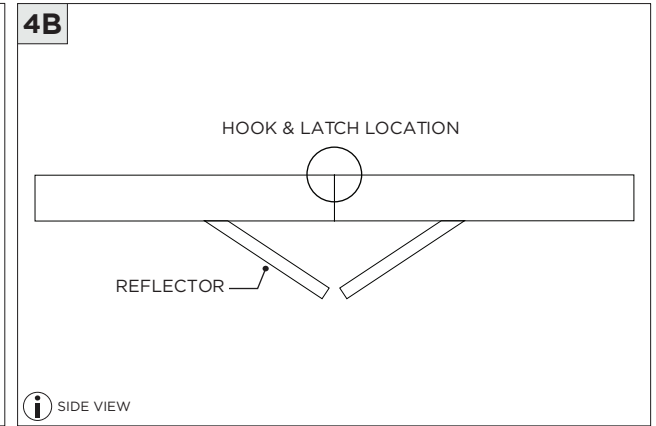
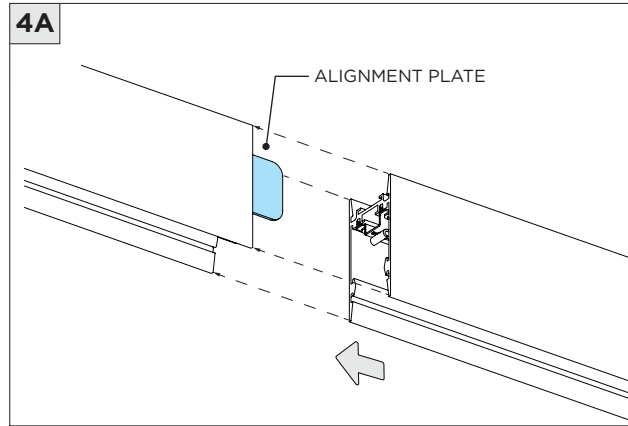
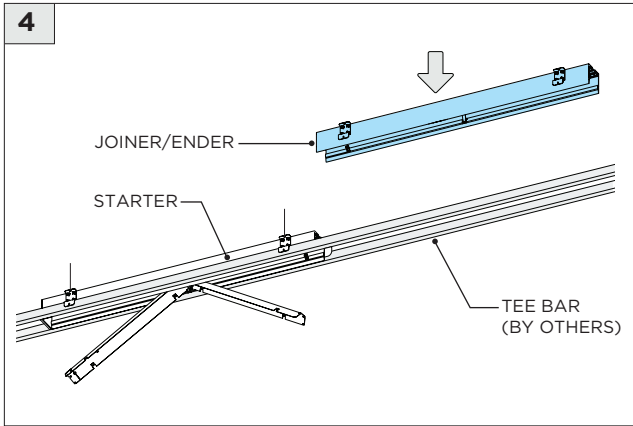


STARTER

JOINER

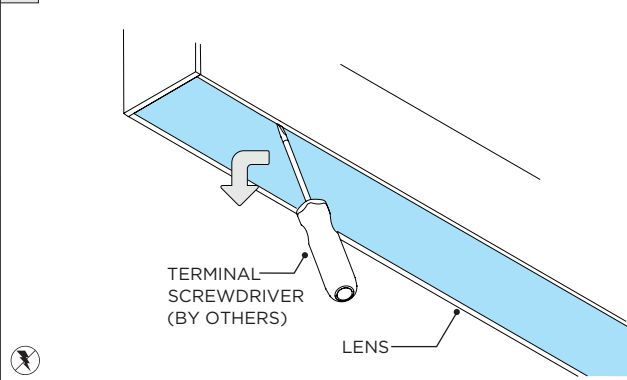
ENDER



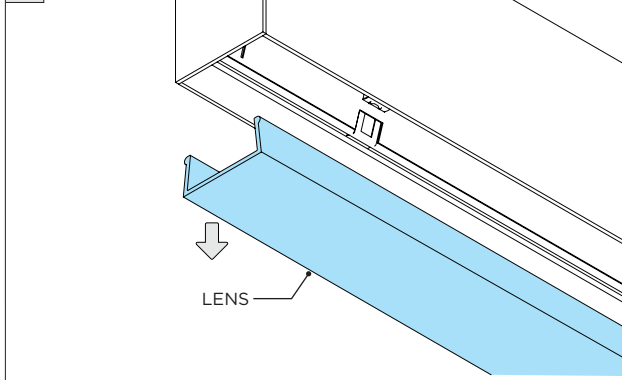


DRIVER SERVICING

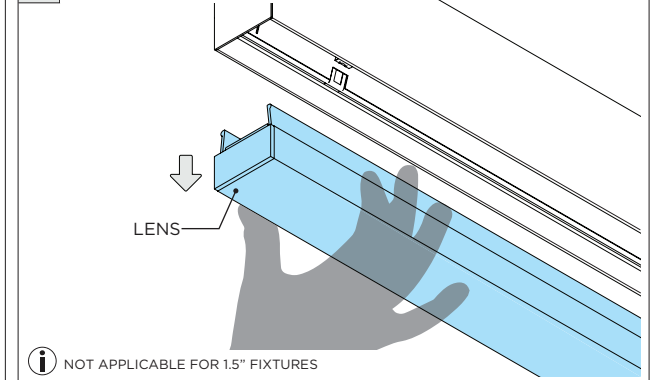
1 FLUSH LENS REMOVAL



2

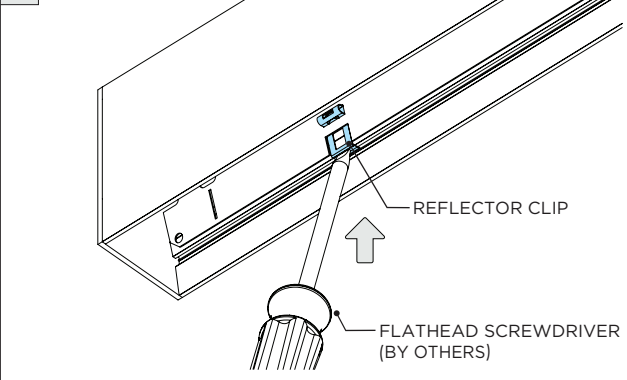


2A DROP LENS REMOVAL

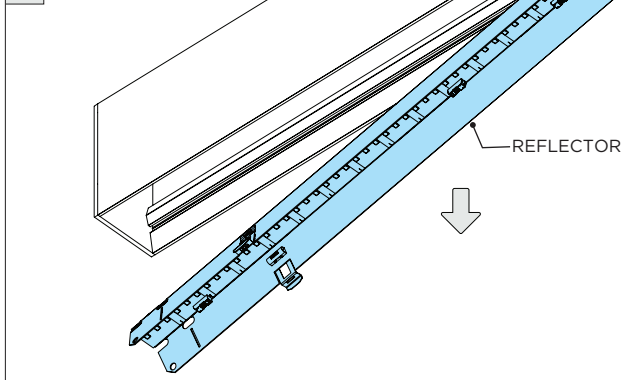


i NOT APPLICABLE FOR 1.5" FIXTURES

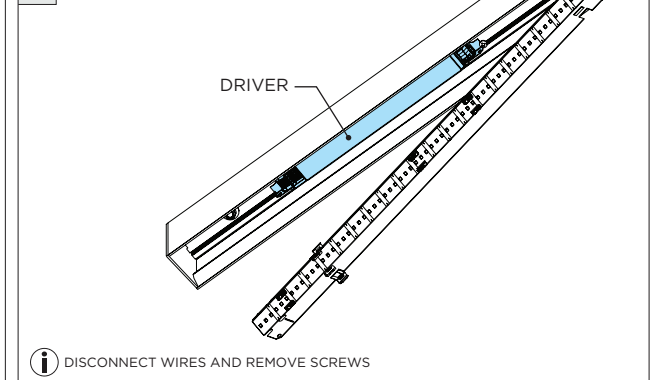
3



4

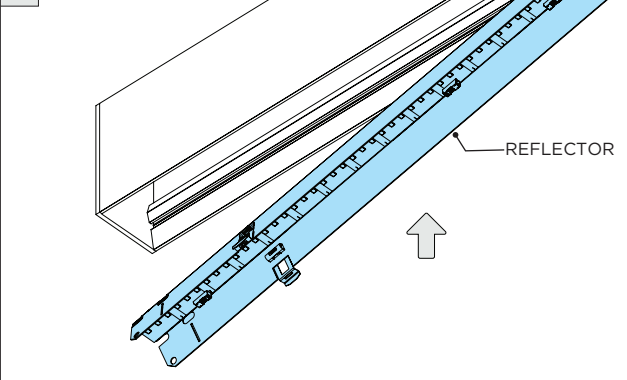


5

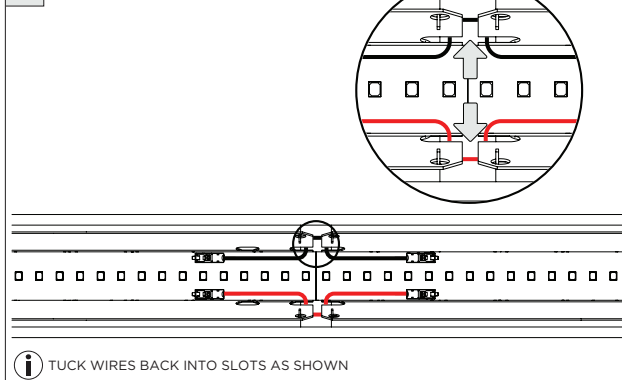


i DISCONNECT WIRES AND REMOVE SCREWS

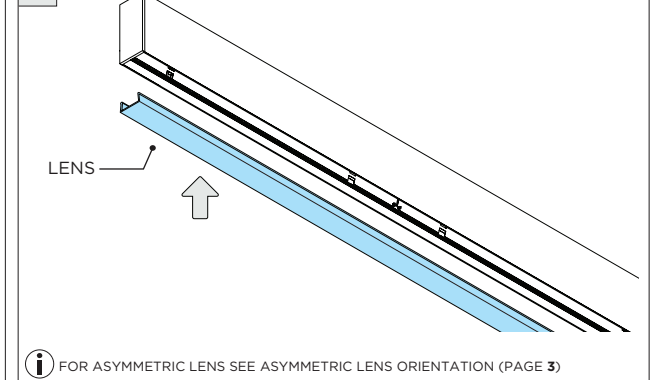
6



7

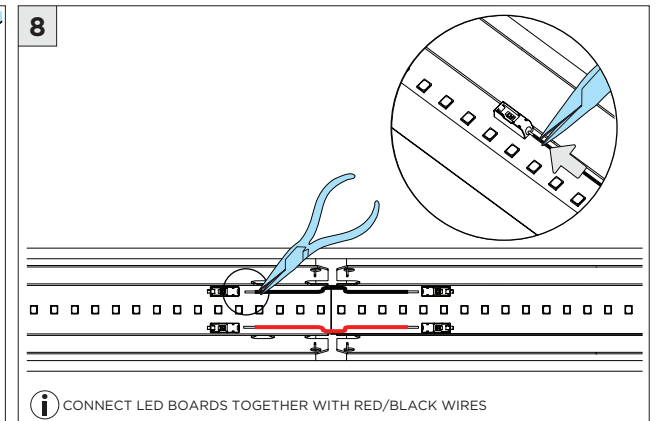
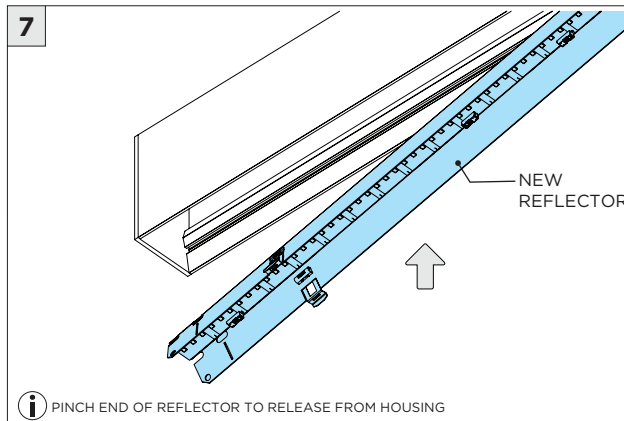
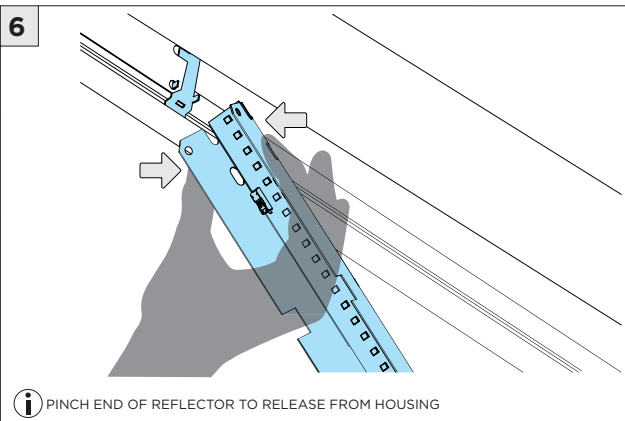
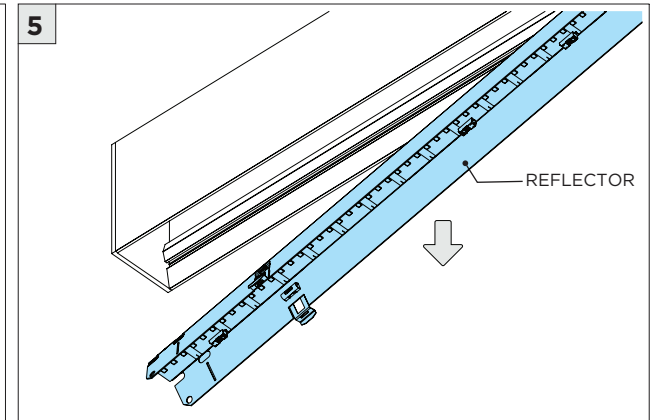
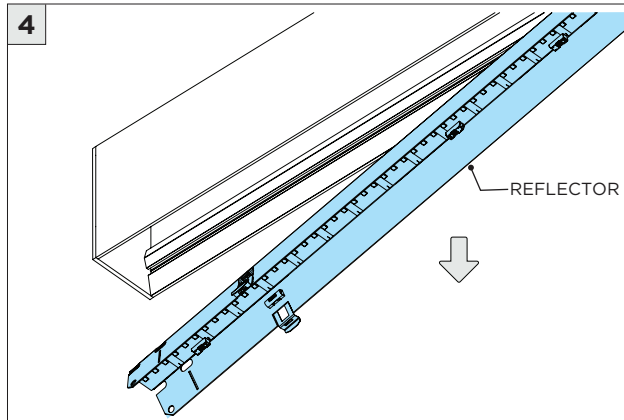
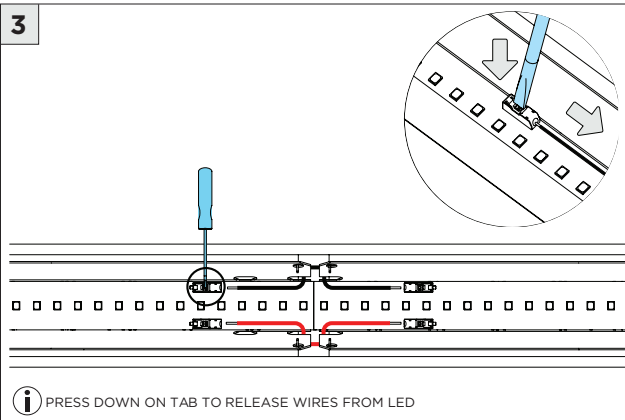
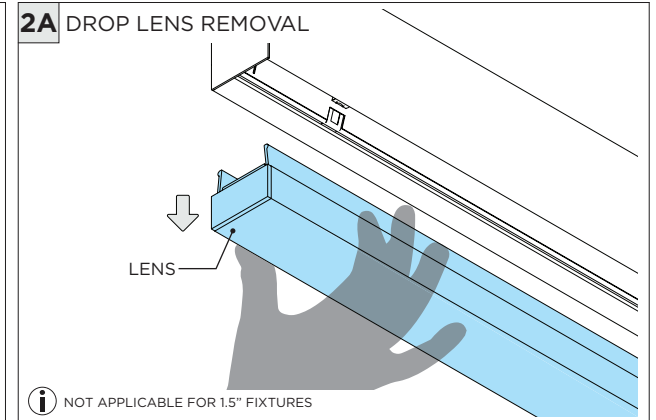
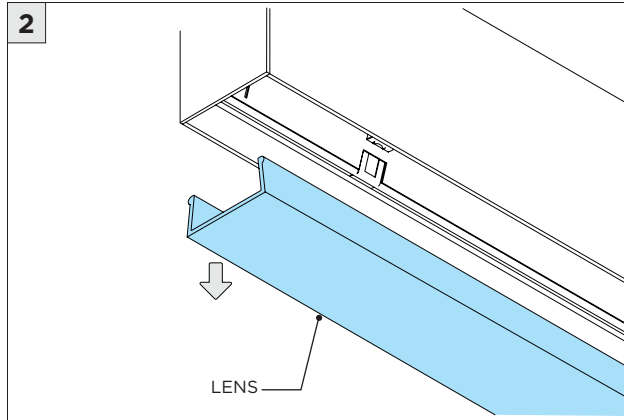
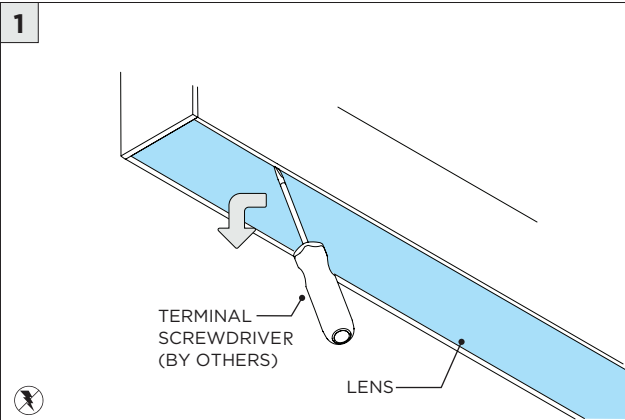


8



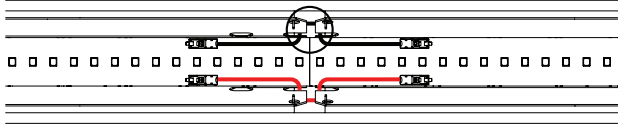
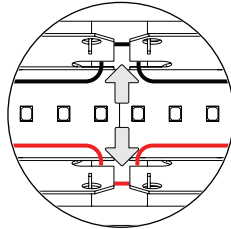
i FOR ASYMMETRIC LENS SEE ASYMMETRIC LENS ORIENTATION (PAGE 3)

LED SERVICING



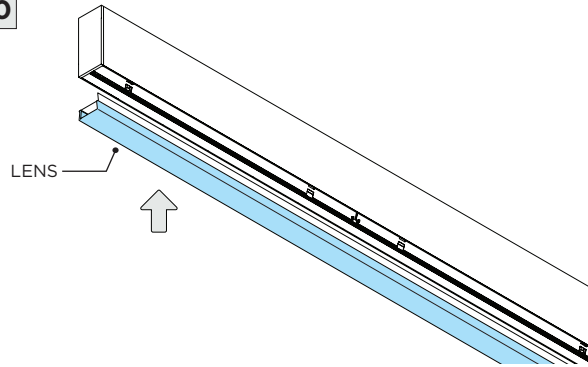
LED SERVICING

9



i TUCK WIRES BACK INTO SLOTS AS SHOWN

10



i FOR ASYMMETRIC LENS SEE ASYMMETRIC LENS ORIENTATION (PAGE 3)