



3G-1PLI, 3G-2PLI, and 3G-4PLI
1.5", 2", and 3.5" PENDANT LINIA

DIRECT
 DIRECT/INDIRECT
 INDIRECT

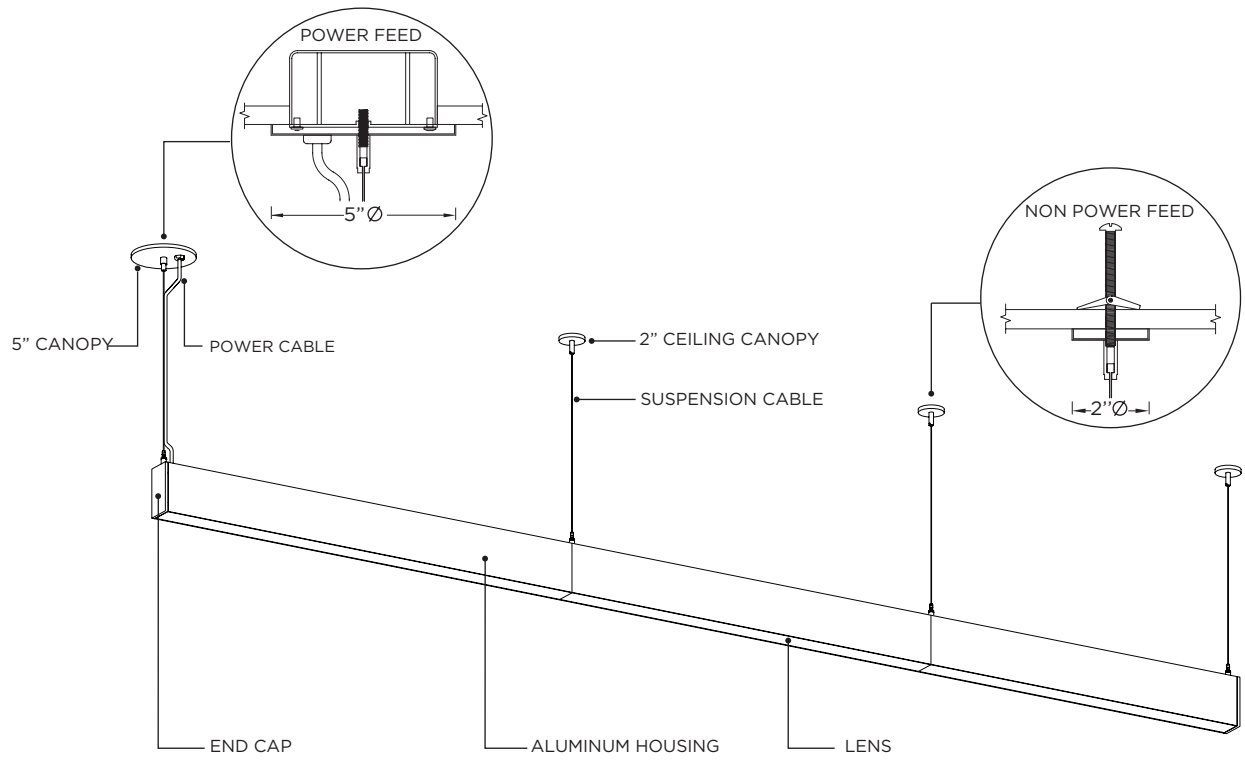


FIXTURE TYPES			INCLUDED COMPONENTS	
13G-1PLI-PROFILE	3G-2PLI-PROFILE	3G-4PLI-PROFILE	Standalone Fixture (2' to 8')	
				Continuous Runs (9' to 16')
Continuous Runs (17' and longer)			Power feed kit	Non - Power feed kit
			FOR GRID CEILING APPLICATION 	FOR GRID CEILING APPLICATION

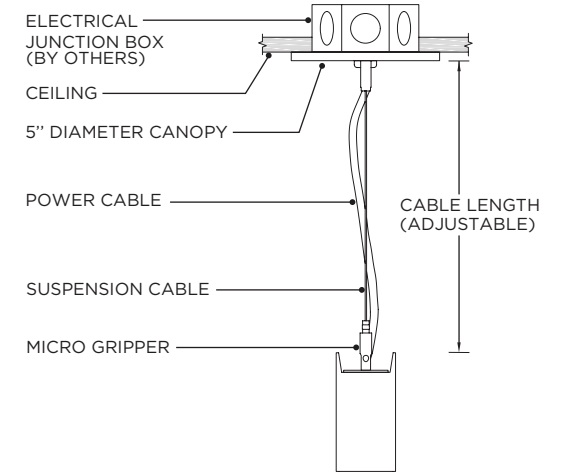
INSTRUCTION KEY	INFORMATION
	ADDITIONAL
	ATTENTION
	POWER ON
	POWER OFF
	INSTALLATION SHOULD ONLY BE PERFORMED BY A CERTIFIED ELECTRICIAN REFER TO LOCAL/NATIONAL CODES FOR PROPER INSTALLATION FAILURE TO FOLLOW INSTALLATION INSTRUCTION MAY VOID THE WARRANTY DO NOT TOUCH LEDS. LEDS MUST BE PROTECTED FROM MECHANICAL STRESS OR DEBRIS TURN OFF POWER DURING INSTALLATION OR SERVICING

OVERVIEW

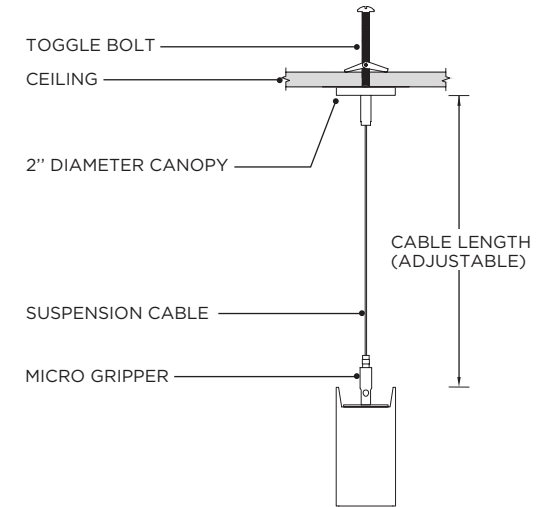
3G-1PLI, 2PLI, 4PLI - DRYWALL SUSPENSION



POWER FEED SUSPENSION

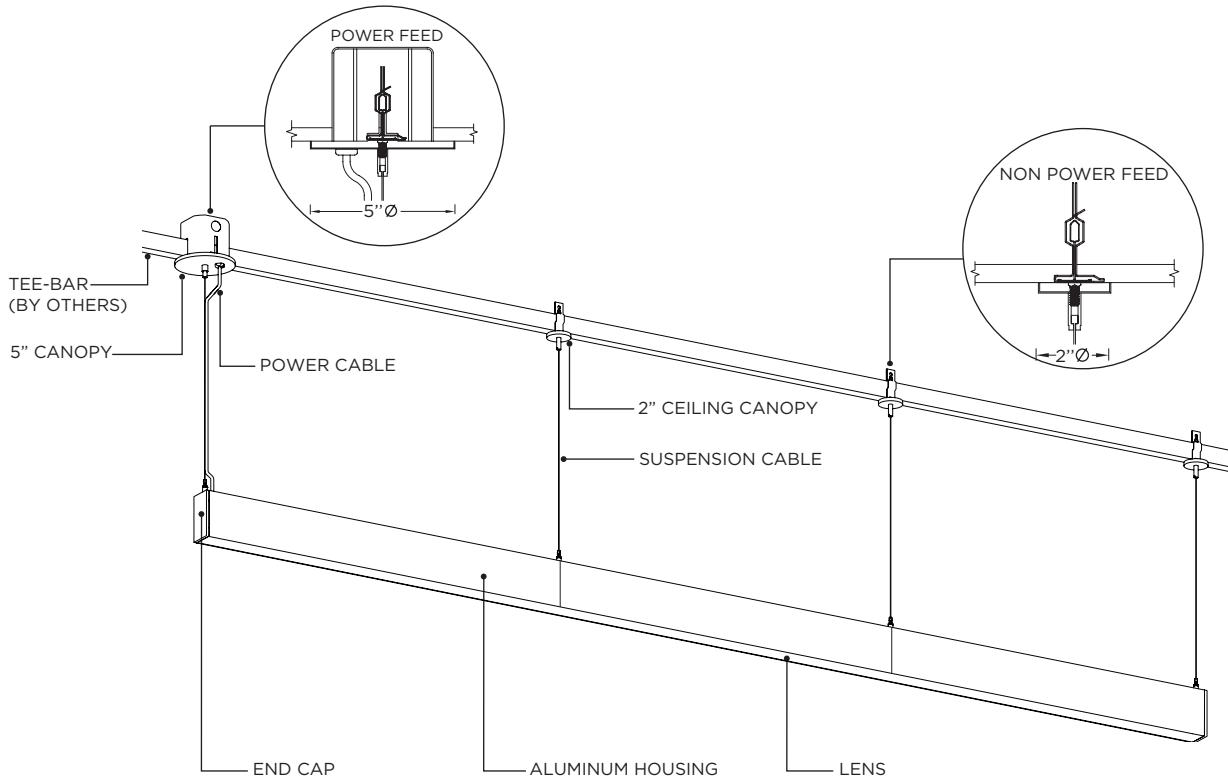


NON - POWER FEED SUSPENSION

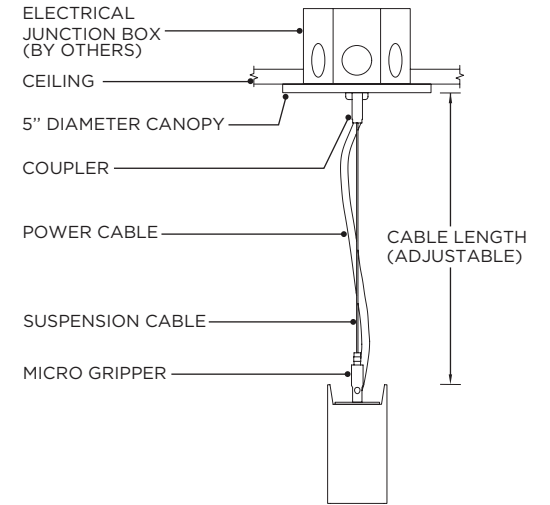


ASYMMETRIC LENS ORIENTATION

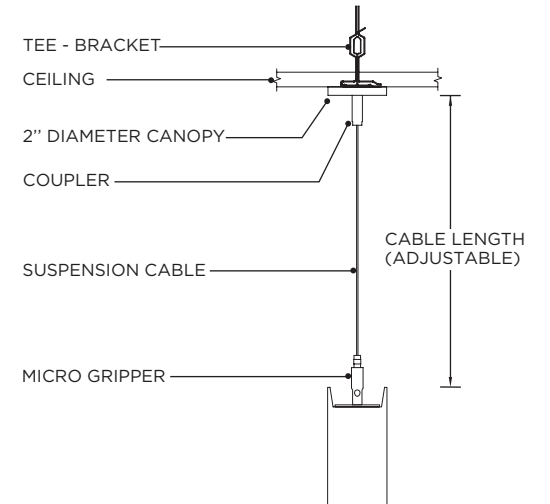
3G-1PLI, 2PLI ,4PLI - GRID CEILING - GCX



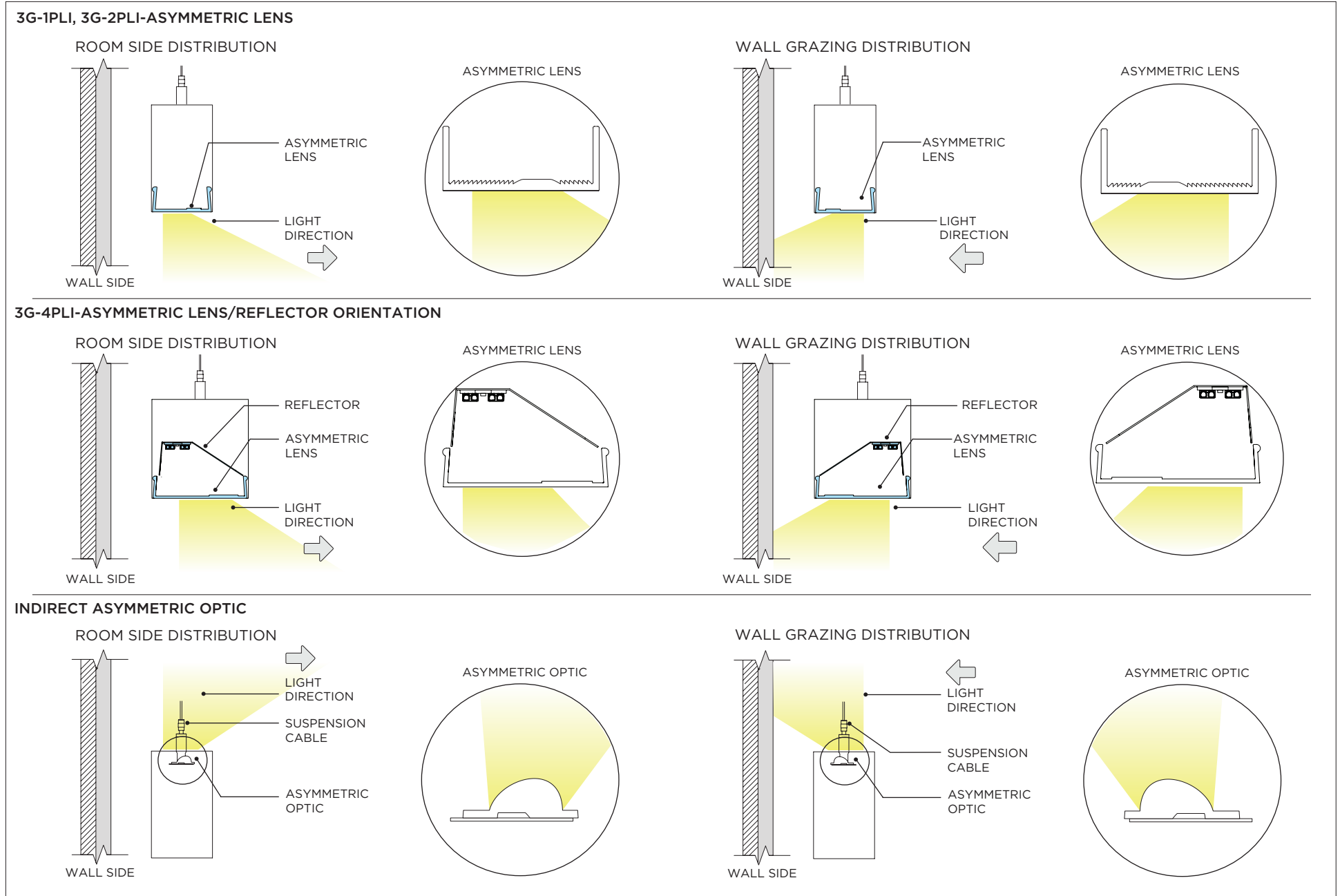
POWER FEED SUSPENSION



NON - POWER FEED SUSPENSION



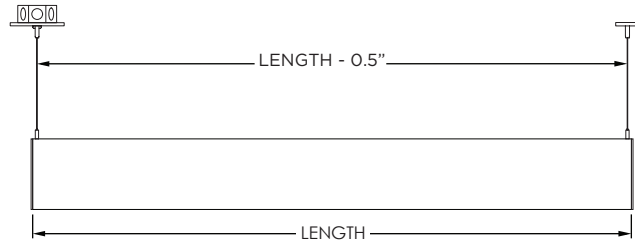
ASYMMETRIC LENS ORIENTATION



SUSPENSION CABLE LOCATION

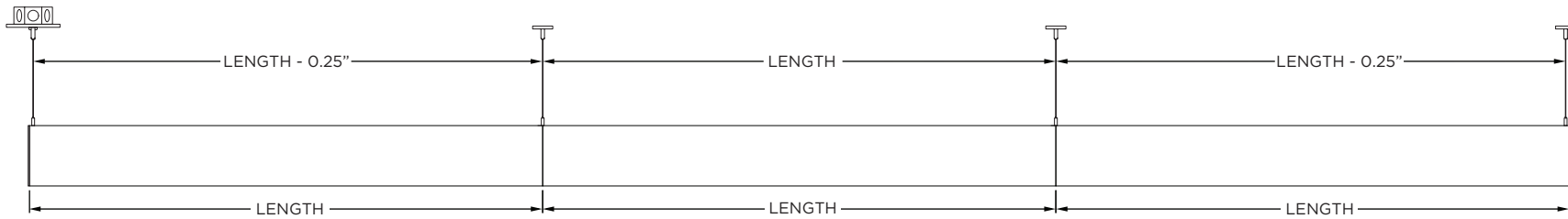
STANDALONE

STANDALONE
AT 0.25" FROM EACH END OF LENGTH



STARTER, JOINER, and ENDER

STARTER/JOINER/ENDER
AT 0.125" FROM EACH END OF SECTION LENGTH



IDENTIFICATION AND PREPARATION

ID LABEL

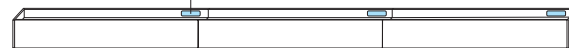
TYPE: **XX XX**
ID: **01 OF 03** CO-0000

SECTION ID NUMBER ORDER NUMBER ORDER TYPE

IDENTIFY FIXTURE SECTIONS BY THE ID LABELS FOUND ON THE BOX INSIDE THE SECTIONS

ID LABEL

SECTION: **01 OF 03**
TYPE: **XX XX** CO-0000

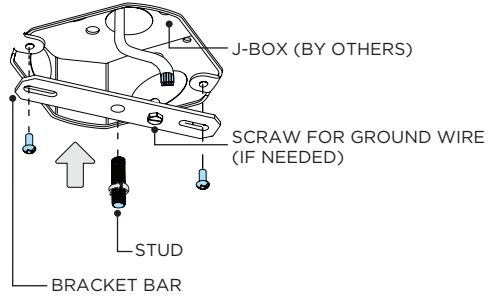


STARTER

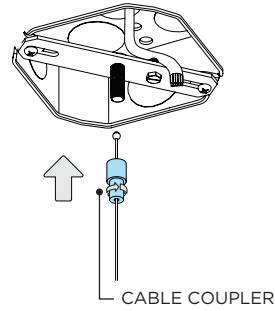
JOINER

ENDER

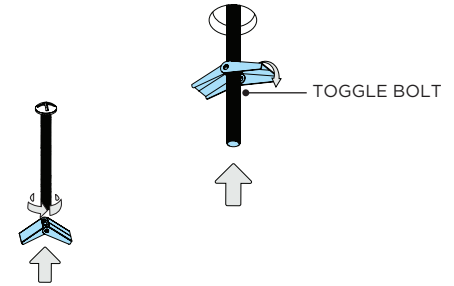
1 DRYWALL SUSPENSION - POWER FEED



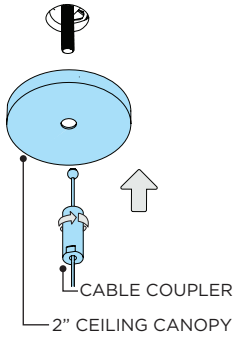
1A



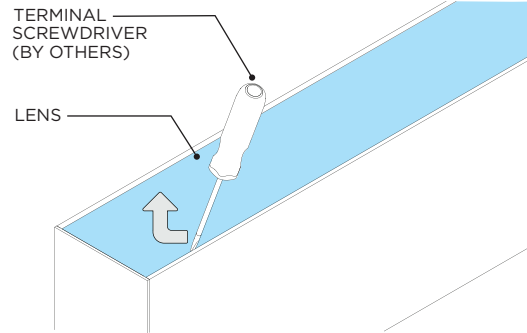
2 DRYWALL SUSPENSION - NON-POWER FEED



2A

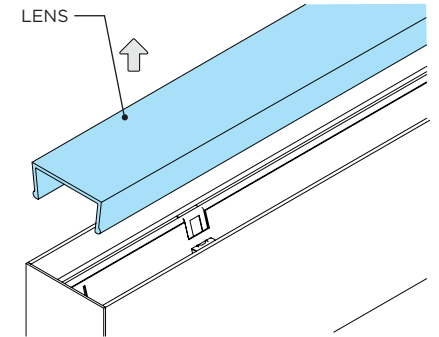


3 LENS REMOVAL



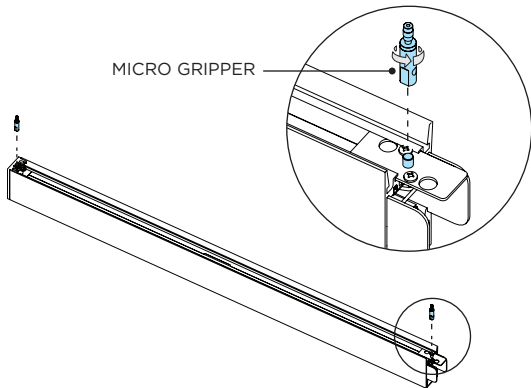
i REPEAT THIS STEP TO ALL SECTIONS

3A

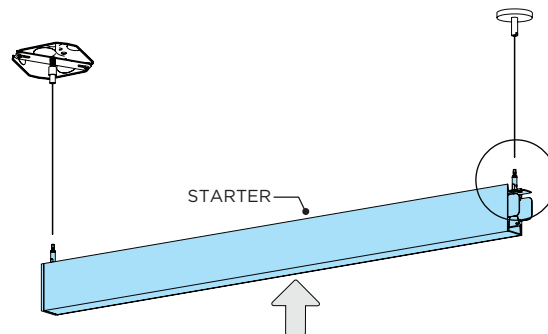


i DD1 AND DD2 LENS SHIPPED SEPARATELY

4

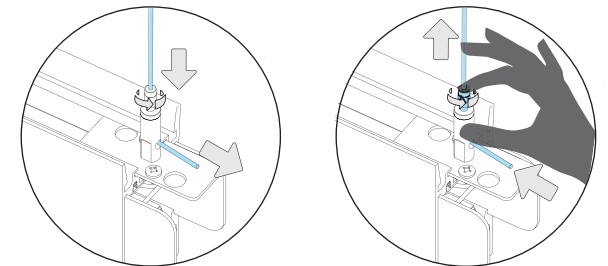


5

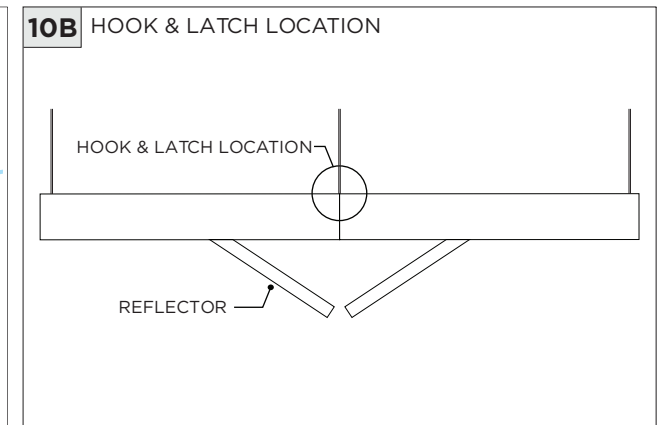
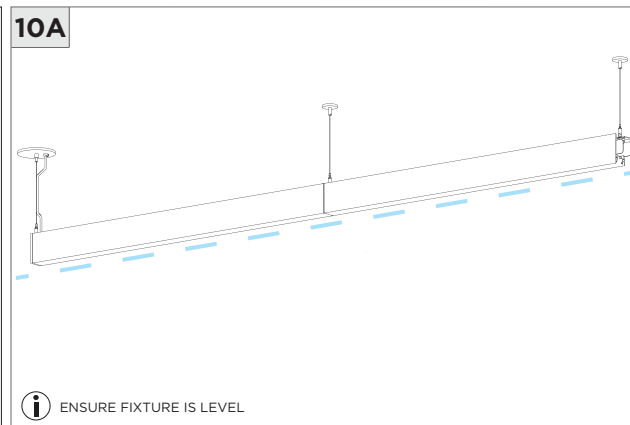
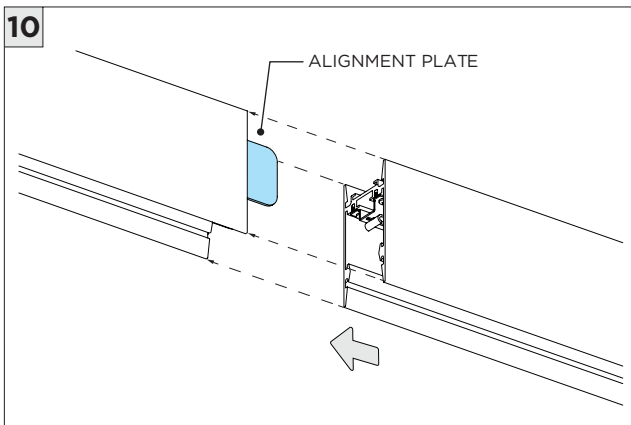
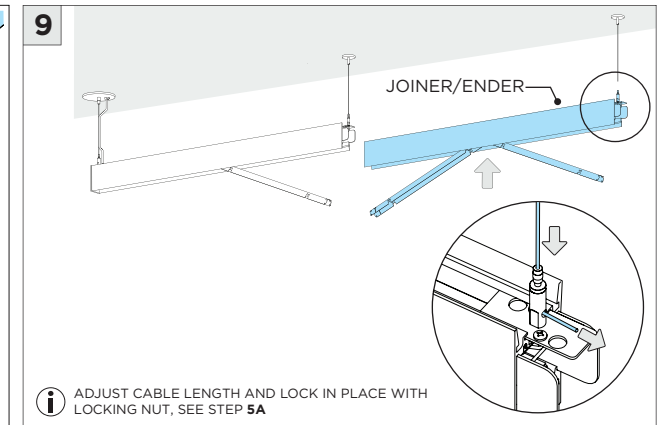
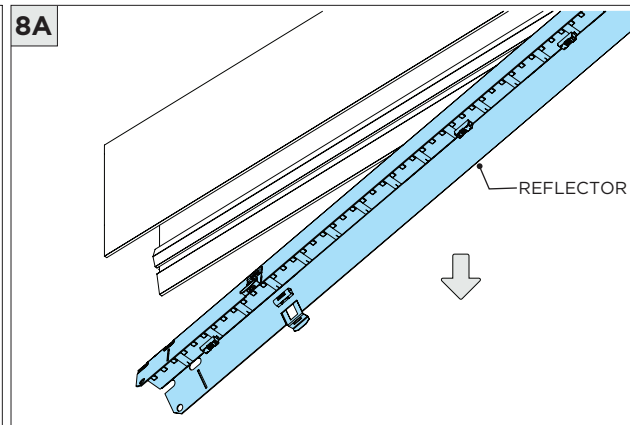
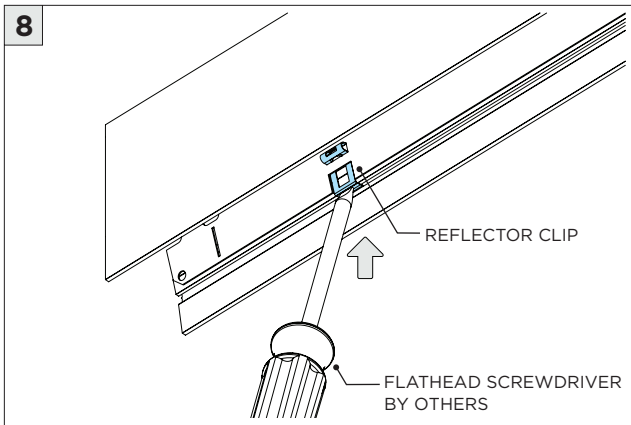
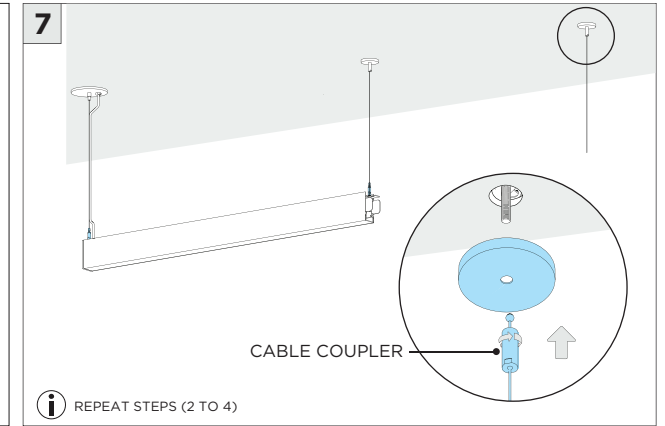
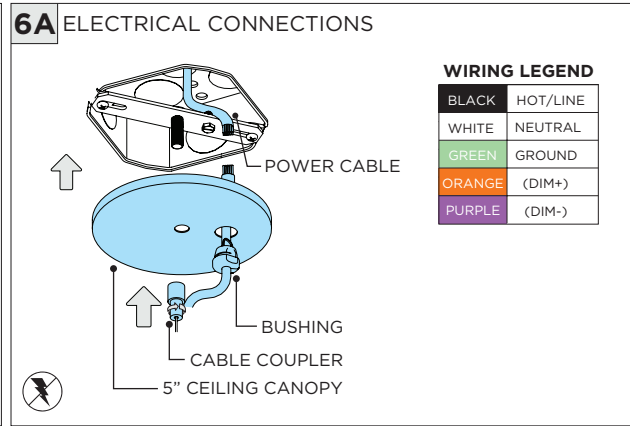
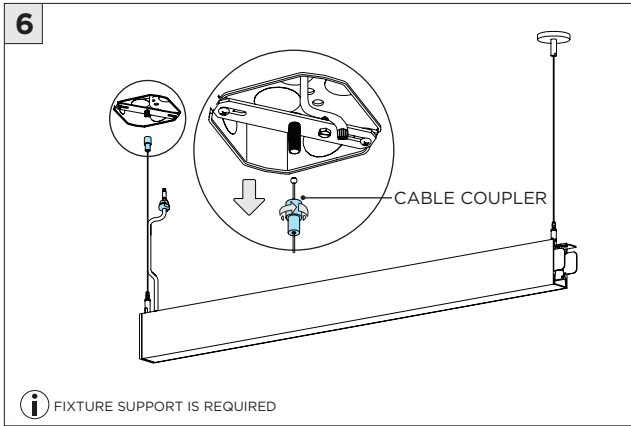


i FOR 3G-4PLI-DASY FIXTURES SEE PAGE 4 BEFORE MOUNTING

5A



i ADJUST CABLE LENGTH AND LOCK IN PLACE WITH LOCKING NUT



10C

⚠ MECHANISM IS NOT INTENDED TO PULL SECTIONS TOGETHER

LATCH HOOK

ⓘ LEVEL FIXTURES BEFORE ENGAGING HOOK & LATCH MECHANISM

11

WIRING CONNECTOR

ⓘ

12

LIGHT BLOCKER LIGHT BLOCKER

⚠ LIGHT BLOCKER SHIPPED WITH EVERY JOINER/ENDER

ⓘ SLIDE THE LIGHT BLOCKERS BETWEEN JOINED SECTIONS

13

REFLECTOR

13A

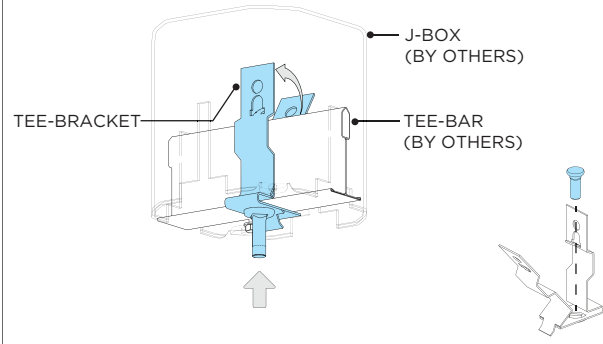
ⓘ TUCK WIRES BACK INTO SLOTS AS SHOWN

14

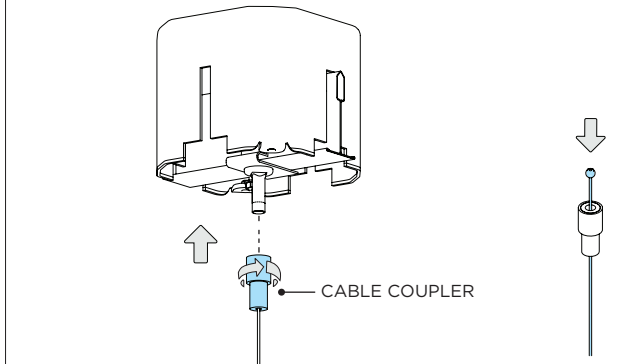
LENS

ⓘ FOR ASYMMETRIC LENS SEE PAGE 4

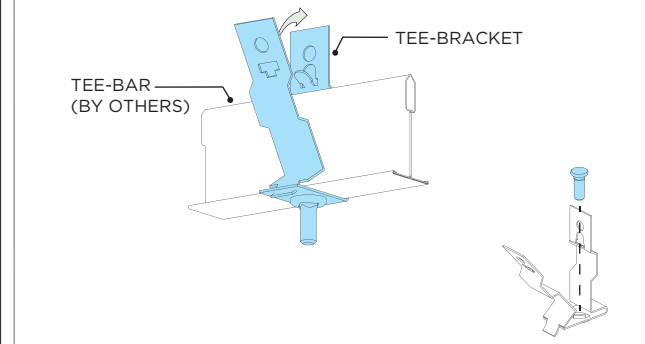
1 GRID CEILING SUSPENSION - POWER FEED



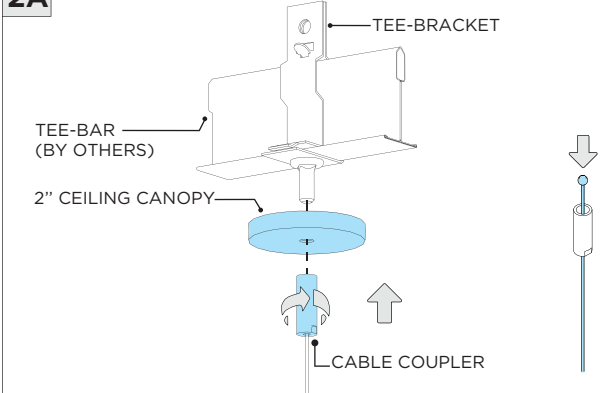
1A



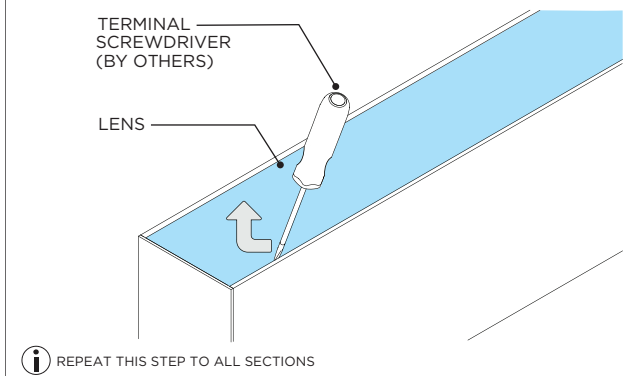
2 GRID CEILING SUSPENSION - NON-POWER FEED



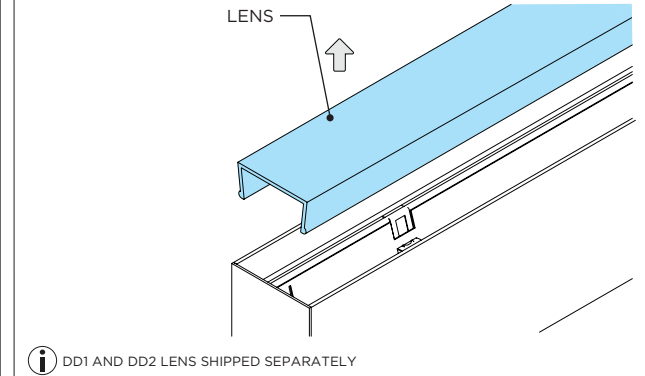
2A



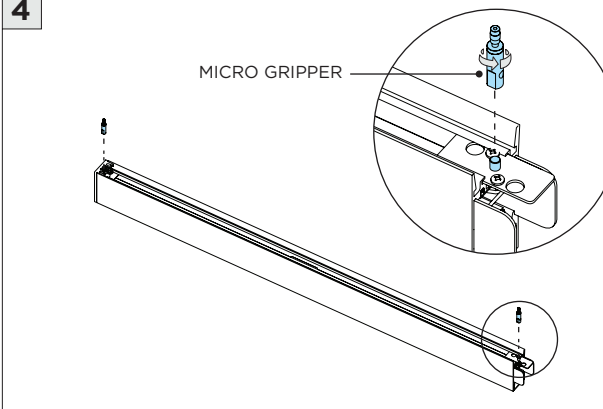
3 LENS REMOVAL



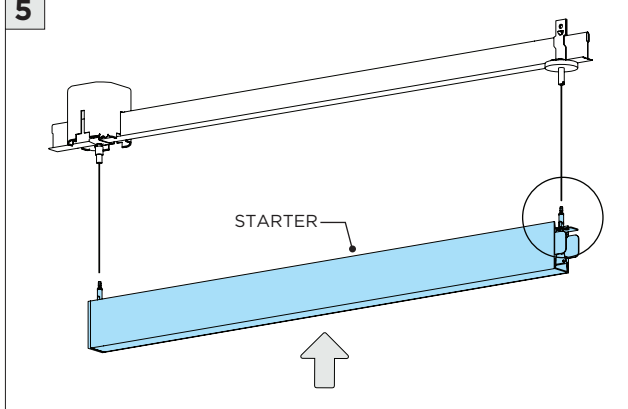
3A



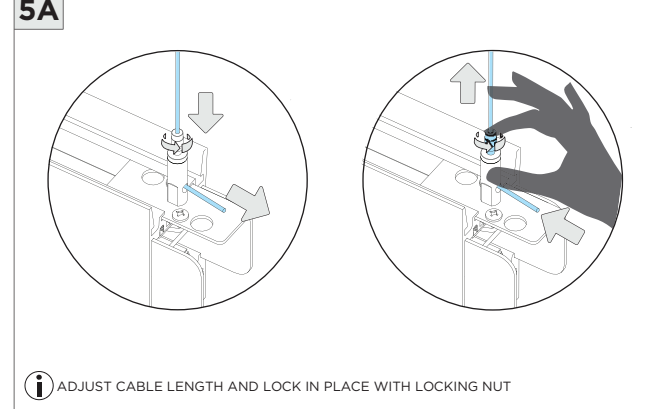
4

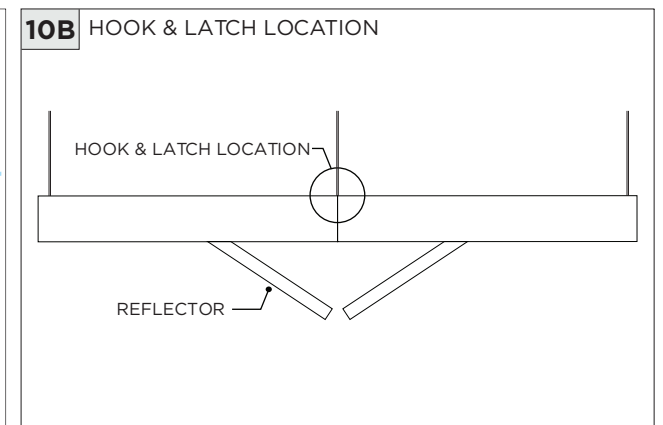
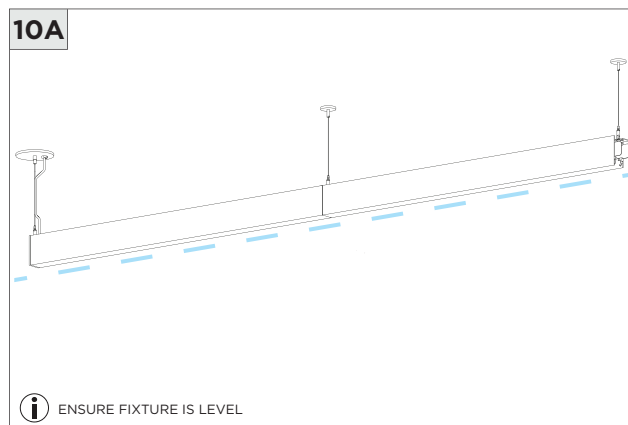
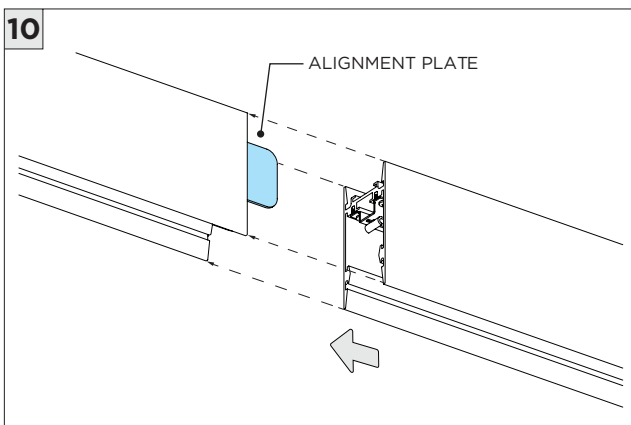
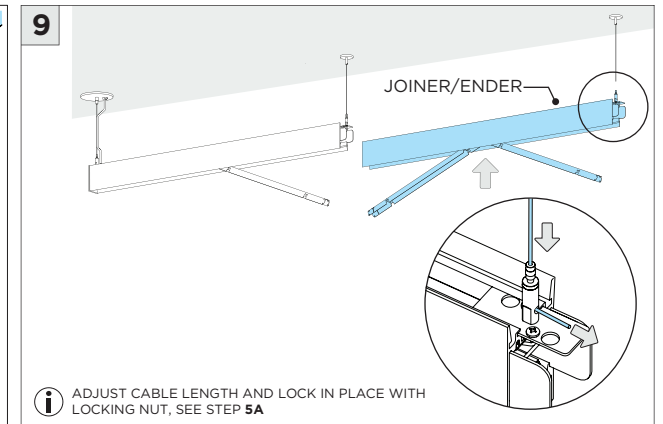
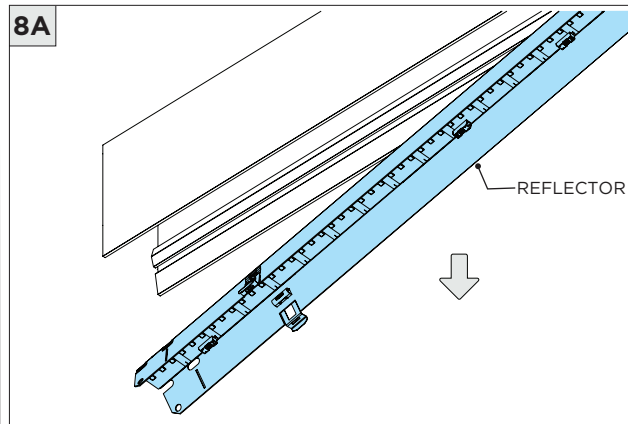
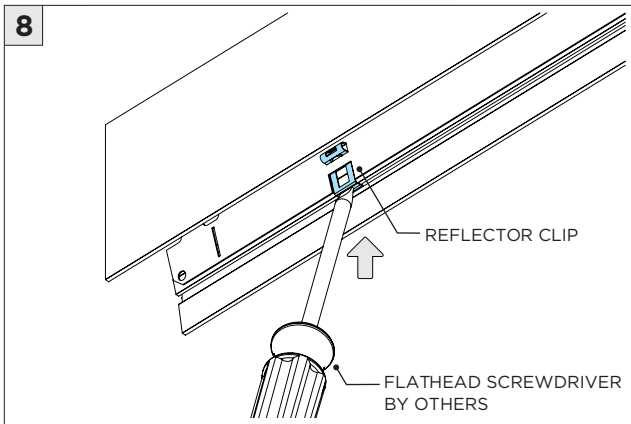
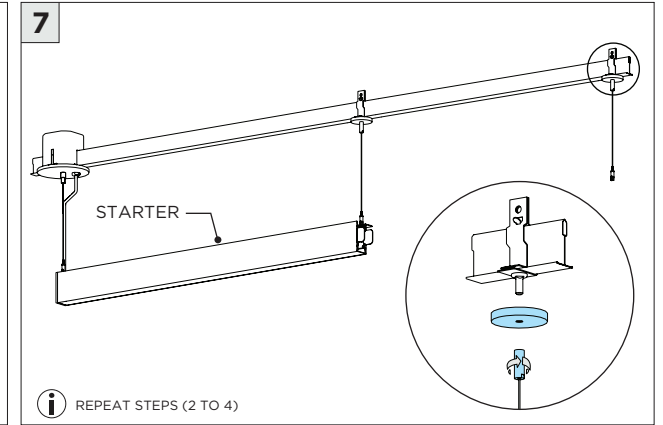
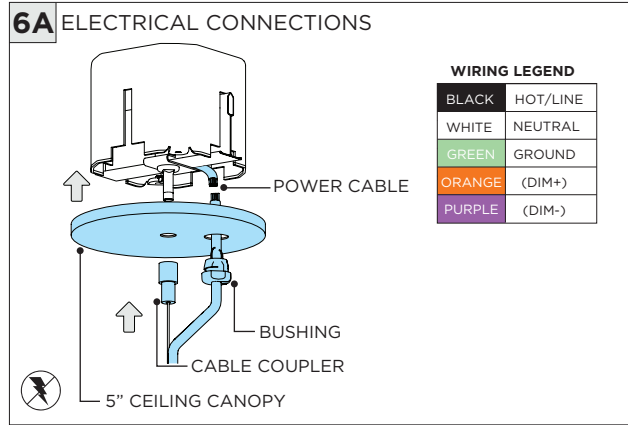
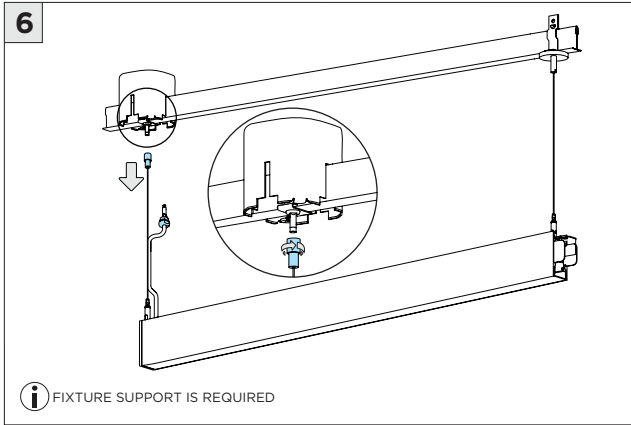


5



5A





10C

⚠ MECHANISM IS NOT INTENDED TO PULL SECTIONS TOGETHER

LATCH HOOK

ⓘ LEVEL FIXTURES BEFORE ENGAGING HOOK & LATCH MECHANISM

11

WIRING CONNECTOR

ⓘ

12

LIGHT BLOCKER LIGHT BLOCKER

⚠ LIGHT BLOCKER SHIPPED WITH EVERY JOINER/ENDER

ⓘ SLIDE THE LIGHT BLOCKERS BETWEEN JOINED SECTIONS

13

REFLECTOR

13A

ⓘ TUCK WIRES BACK INTO SLOTS AS SHOWN

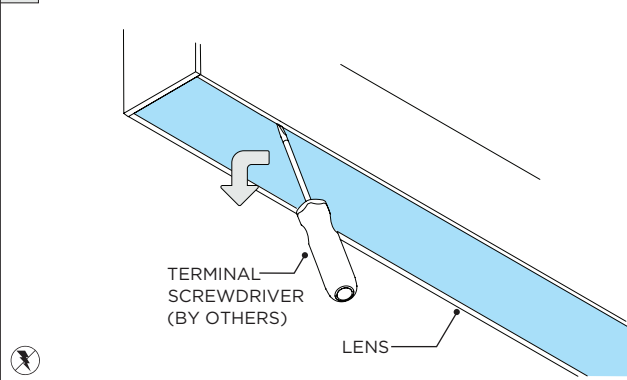
14

LENS

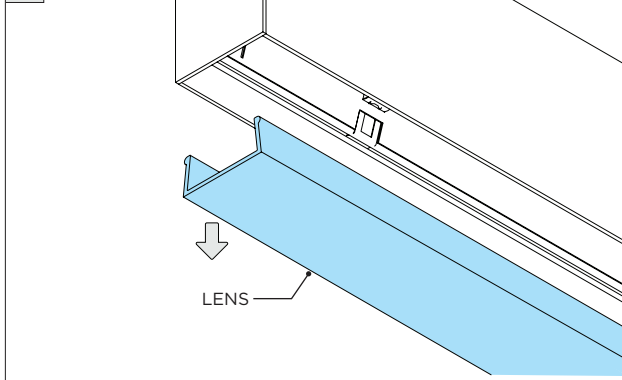
ⓘ FOR ASYMMETRIC LENS SEE PAGE 4

DRIVER SERVICING

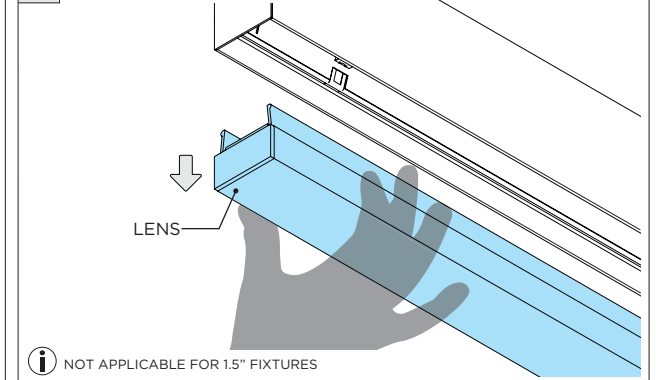
1 FLUSH LENS REMOVAL



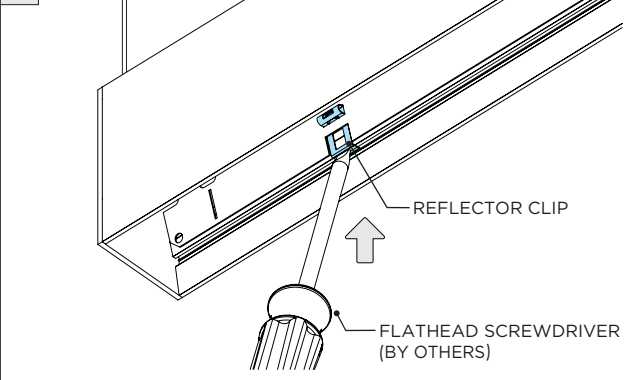
2



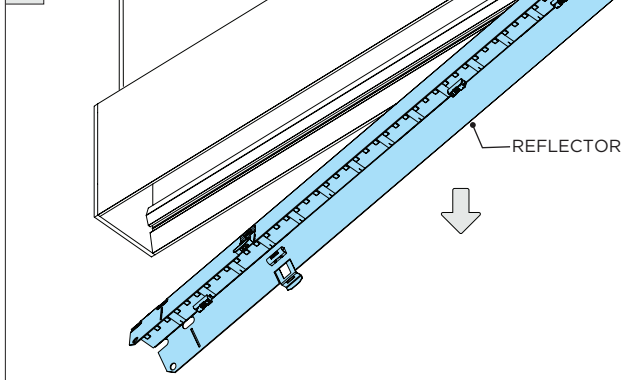
2A DROP LENS REMOVAL



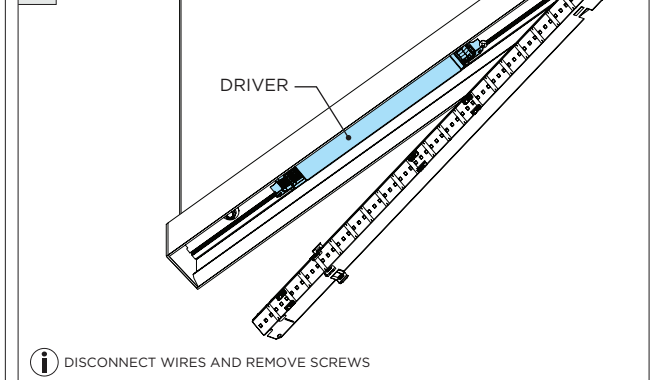
3



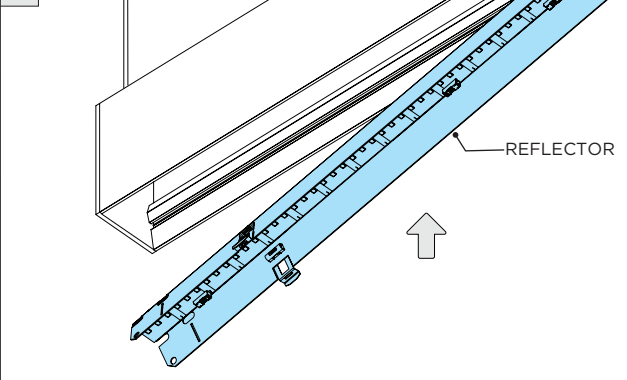
4



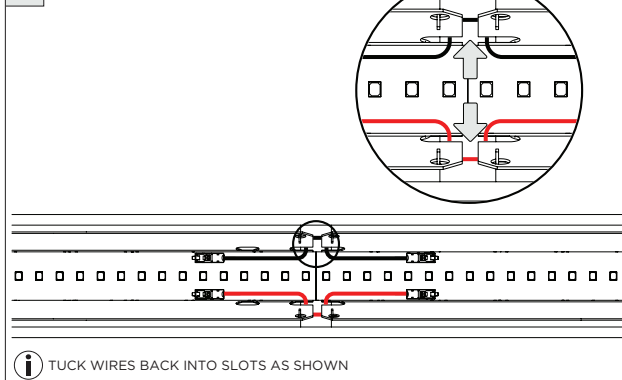
5



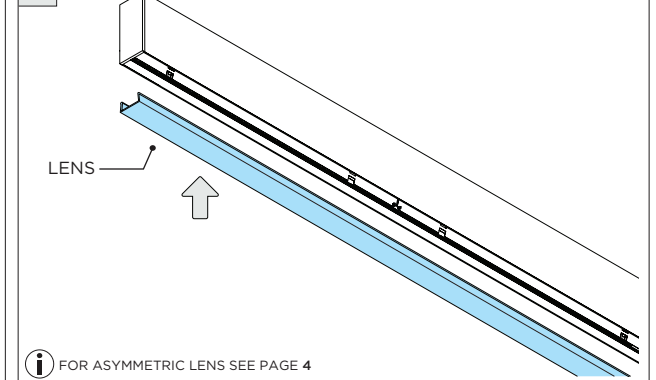
6



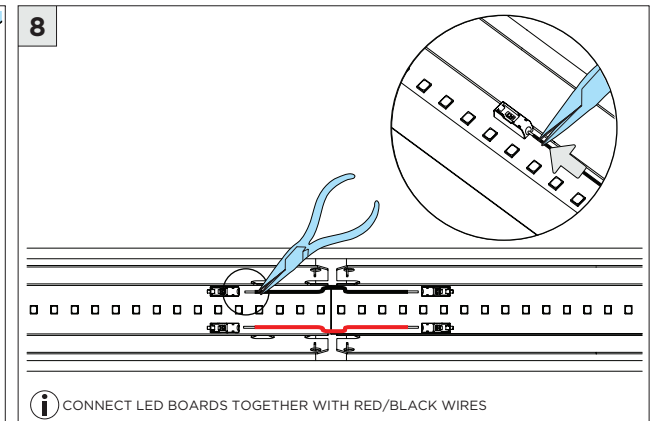
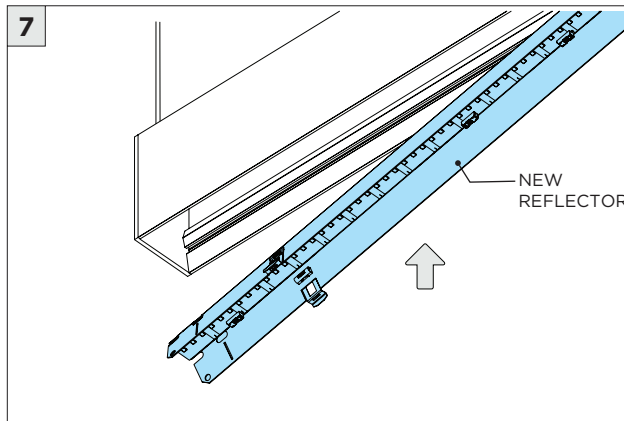
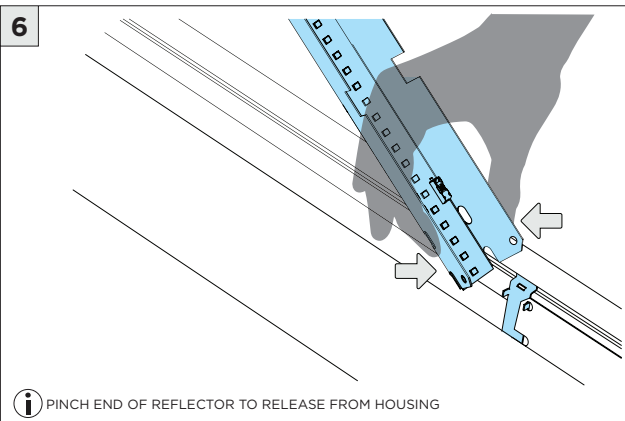
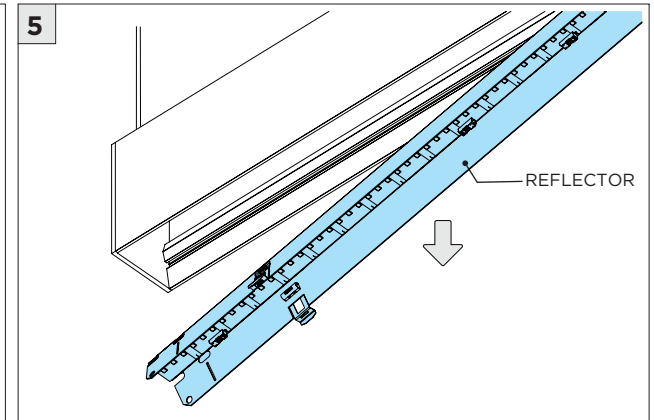
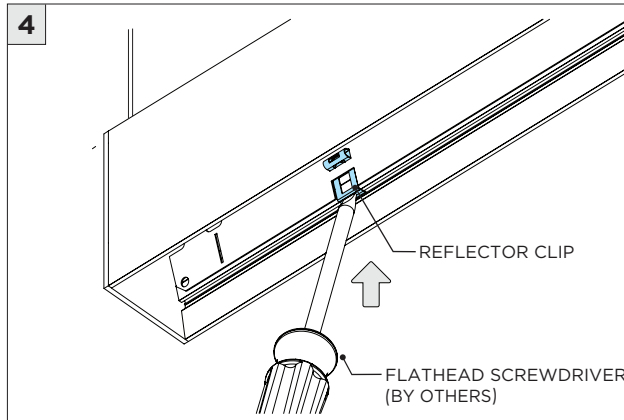
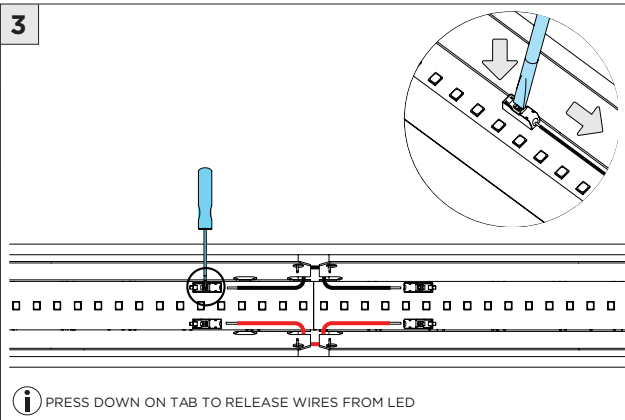
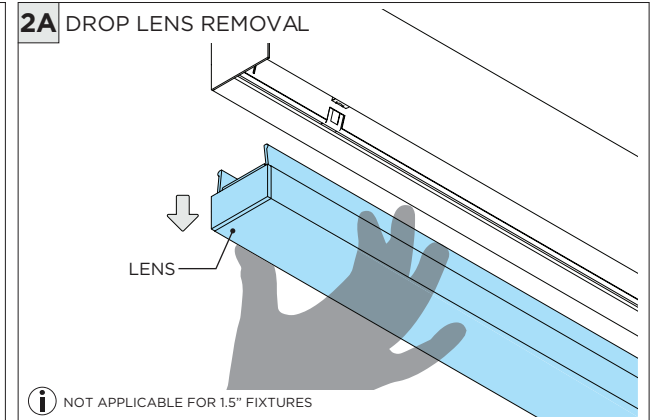
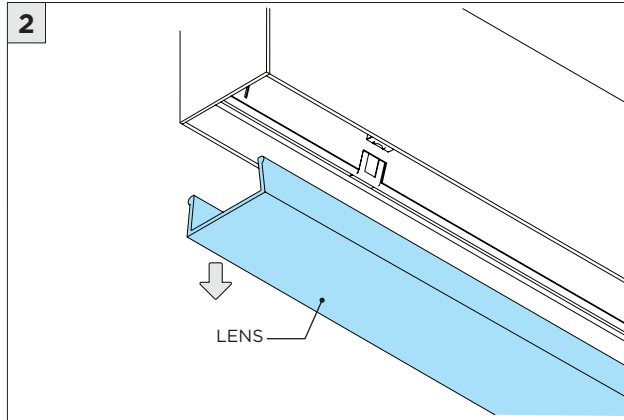
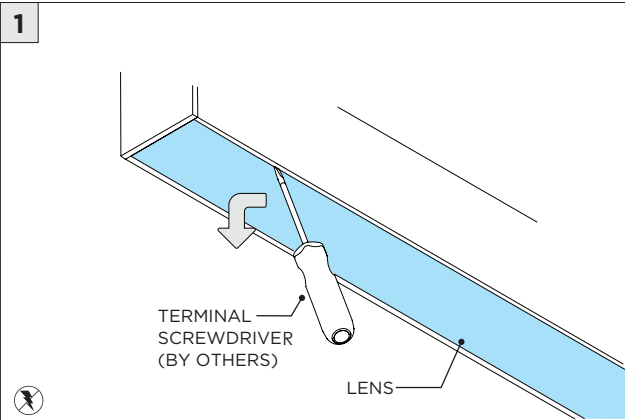
7



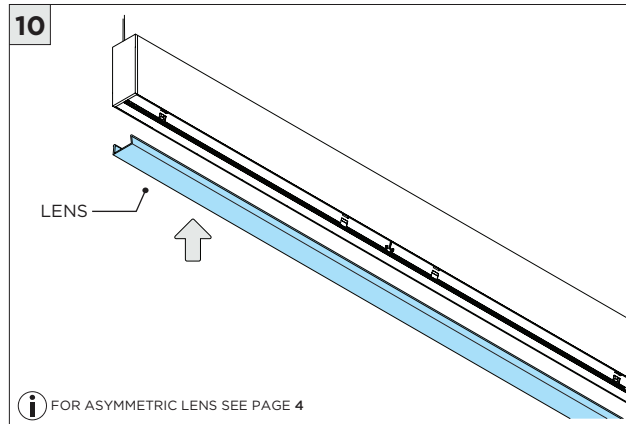
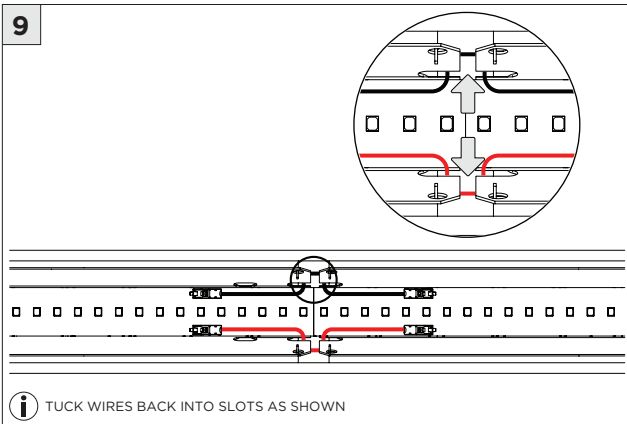
8



LED SERVICING - DIRECT

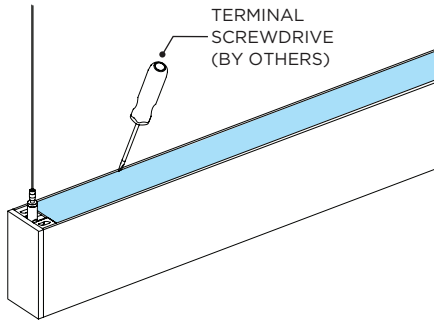


LED SERVICING - DIRECT

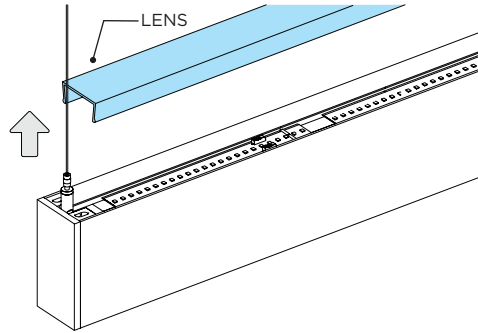


LED SERVICING - INDIRECT

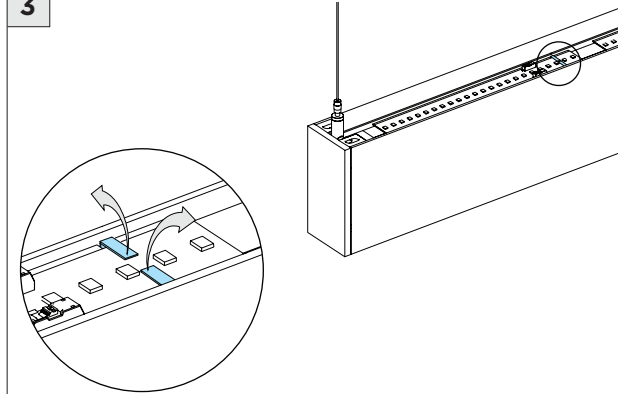
1 INDIRECT LENS REMOVAL



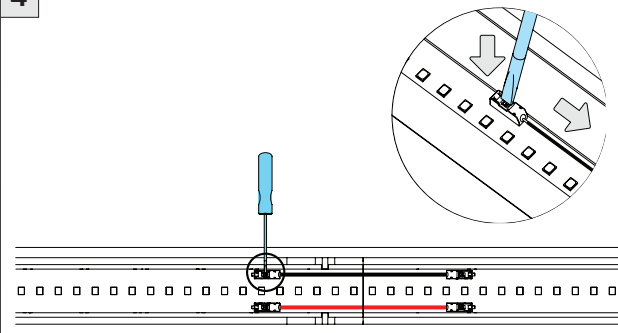
2



3

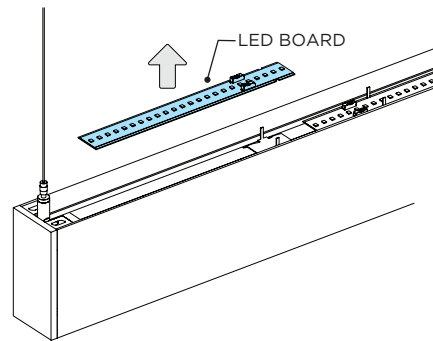


4

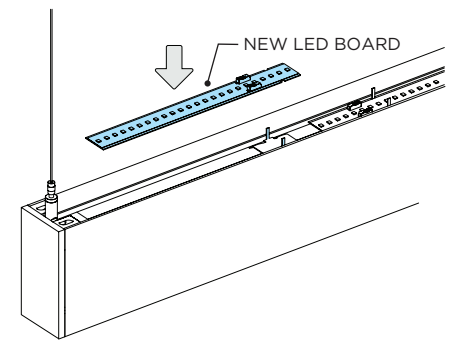


i PRESS DOWN ON TAB TO RELEASE WIRES FROM LED

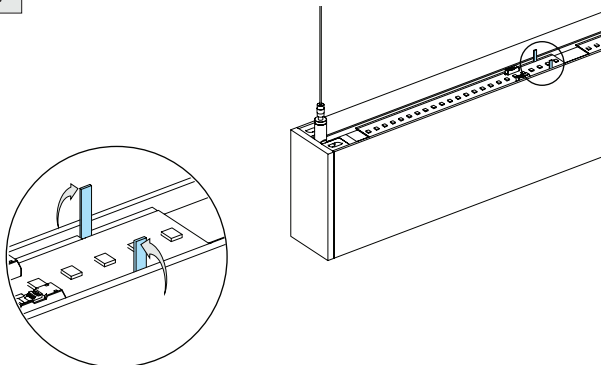
5



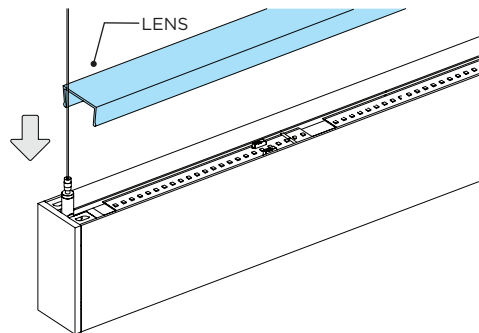
6



7



8



LED SERVICING - INDIRECT - ASYMMETRIC AND WIDE SPREAD OPTIC

