



# 3G-4RPE

3.5" PERIMETER



Narrow 3.5" aperture with one piece extruded aluminum housing  
 Designed for continuous runs in 1' increments as standard  
 12" fully illuminated end filler option is field cuttable for odd lengths  
 Multiple lumen output options with performance up to 132 lumens per watt  
 Lens position available in flush, 1", 2", and 3" regressed options  
 1% dimming standard with several integral driver options

<b>PROJECT:</b>		<b>TYPE:</b>	
<b>CATALOG#:</b>		<b>DATE:</b>	<b>QTY:</b>

CAT. NO	LUMEN OUTPUT	CRI	COLOR TEMP	VOLTAGE
<b>3G-4RPE</b>	<b>D250</b> - 250 LM/FT <sup>1</sup> <b>D500</b> - 500 LM/FT <b>D750</b> - 750 LM/FT <b>D1000</b> - 1000 LM/FT <sup>2</sup> <b>DC__</b> - CUSTOM OUTPUT (SPECIFY LM/FT) *  <small>*Specify custom lumen outputs in 50lm increments (ie: DC600, DC650, DC700)                      Custom output cannot exceed D1000</small>	<b>S80</b> - 80+ CRI <b>H90</b> - 90+ CRI	<b>27K</b> - 2700K <b>30K</b> - 3000K <b>35K</b> - 3500K <b>40K</b> - 4000K	<b>UNV</b> - 120/277V <b>347</b> - 347V <sup>3</sup>

DRIVER	FLANGE TYPE	LENS POSITION	OPTIONS
<b>DIM</b> - 0-10V (100-1%) <b>DO1</b> - 0-10V (100-0.1%) <b>DALI</b> - DALI (100-1%) <sup>4</sup> <b>DHL2</b> - LUTRON HI-LUME (1% ECOSYSTEM) <b>DMX</b> - DMX (100-0%)	<b>GCX</b> - GRID CEILING * (UNIVERSAL MOUNT) <b>WT</b> - WHITE TRIM FLANGE <b>XTR</b> - TRIMLESS (MUD-IN DRYWALL) <b>FX</b> - FLANGELESS  <small>*Universal mounting brackets used for all grid ceiling types only. See mounting section for details</small>	<b>FL</b> - FLUSH <b>RG1</b> - 1" REGRESSED <b>RG2</b> - 2" REGRESSED <b>RG3</b> - 3" REGRESSED	<b>CP</b> - CHICAGO PLENUM <b>DASY</b> - ASYMMETRIC LENS <b>EF</b> - 12" END FILLER (FOR ODD LENGTHS) <b>EMB</b> - EMERGENCY BATTERY * (INTEGRAL) <b>EMC</b> - EMERGENCY CIRCUIT  <small>*Minimum 4' section</small>

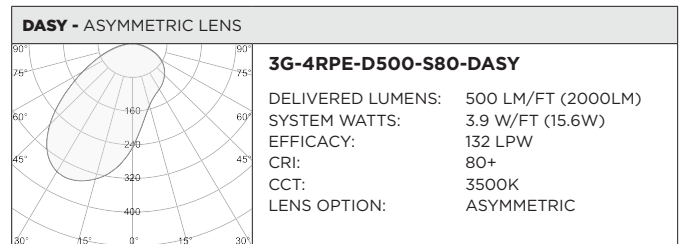
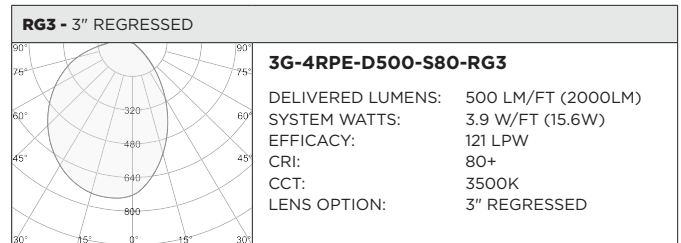
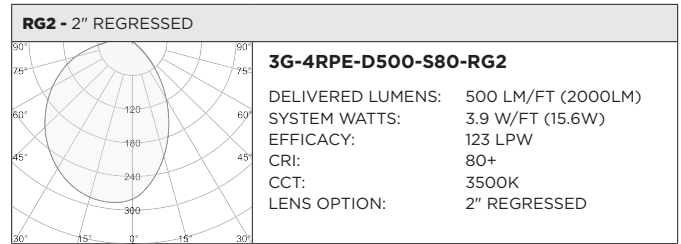
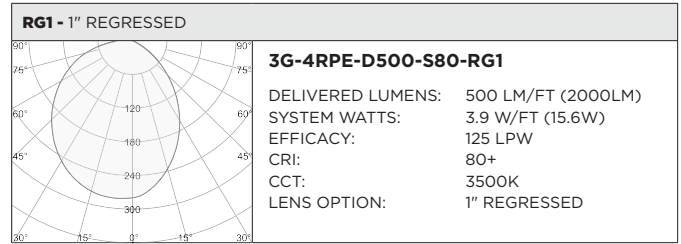
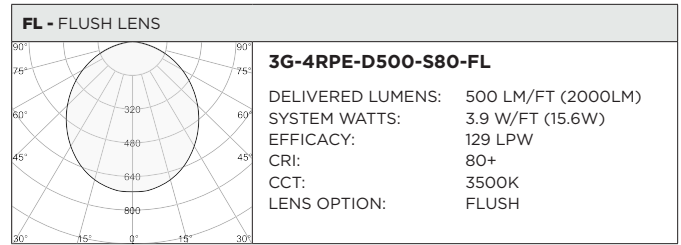
RUN TYPE
<b>S</b> - ____' (STRAIGHT) * <b>L</b> - ____'X ____' (L-SHAPE) <b>U</b> - ____'X ____'X ____' (U-SHAPE)  <small>*Individual units available from 2' to 8'                      Continuous runs available in 1" increments as standard</small>

1 D250 (250LM/FT) not available in 2' and 3' lengths (Please specify DC400 for 2' and 3' fixture length when outputs lower than 500LM/FT are required)  
 2 D1000 (1000LM/FT) not available with H90 (93+ CRI)  
 3 347 available in "DIM" 0-10V only (100-1%)  
 4 DALI-2 (Type 6) provided as standard. Please consult factory for DALI (Type 8) options

BASED ON 4' LENGTH (80+ CRI AND 3500K SOURCE)

LENS OPTION	DELIVERED LUMENS (LM/FT)	SYSTEM WATTS (W/FT)	EFFICACY (LPW)
<b>FLUSH</b>	250	1.9	129
	500	3.9	129
	750	6.0	127
	1000	8.1	123
<b>1" REGRESSED</b>	250	1.9	122
	500	3.9	125
	750	6.0	124
	1000	8.1	120
<b>2" REGRESSED</b>	250	1.9	118
	500	3.9	123
	750	6.0	122
	1000	8.1	119
<b>3" REGRESSED</b>	250	1.9	115
	500	3.9	121
	750	6.0	121
	1000	8.1	119
<b>ASYMMETRIC</b>	250	1.9	131
	500	3.9	132
	750	6.0	128
	1000	8.1	124

LUMEN OUTPUT MULTIPLIER: 27K=0.94, 30K=0.97, 35K=1.00, 40K=1.01, 90CRI=0.88



**HOUSING**

Extruded aluminum housing with 3.5" aperture  
Individual units and continuous runs available in 1" increments as standard  
12" fully illuminated end filler option is field cuttable for odd lengths  
Aluminum trim flange with matte white powder coated finish and minimal 0.400" overlap  
Trimless model features a satin coat mudding flange for seamless ceiling integration  
24-gauge LED reflector with high reflectance white powder coated finish  
Standard polyester powder coated matte white finish

**OPTICS**

Extruded, satin acrylic lens designed for optimal performance and glare control. Up to 8' continuous  
Lens options include flush, 1" and 2" drops with illuminated end caps for all drop lenses  
High performance asymmetric optics available

**LISTING**

ETL listed and conforms to UL1598 standard. Certified to CSA22.2 NO.250.0. Rated for indoor dry or damp locations

**WARRANTY**

5 Year Warranty on LED and drivers  
Manufacturer 1 Year Warranty for defects in material and workmanship under normal use  
Ambient temperature at fixture should not exceed 25°C

**ELECTRICAL**

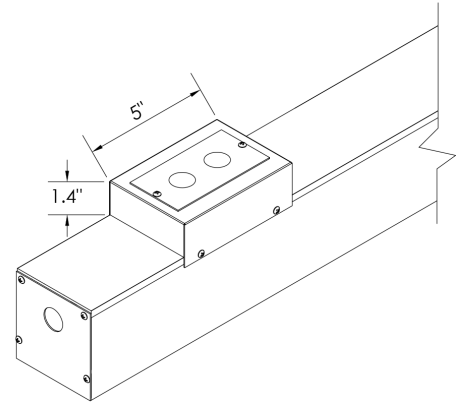
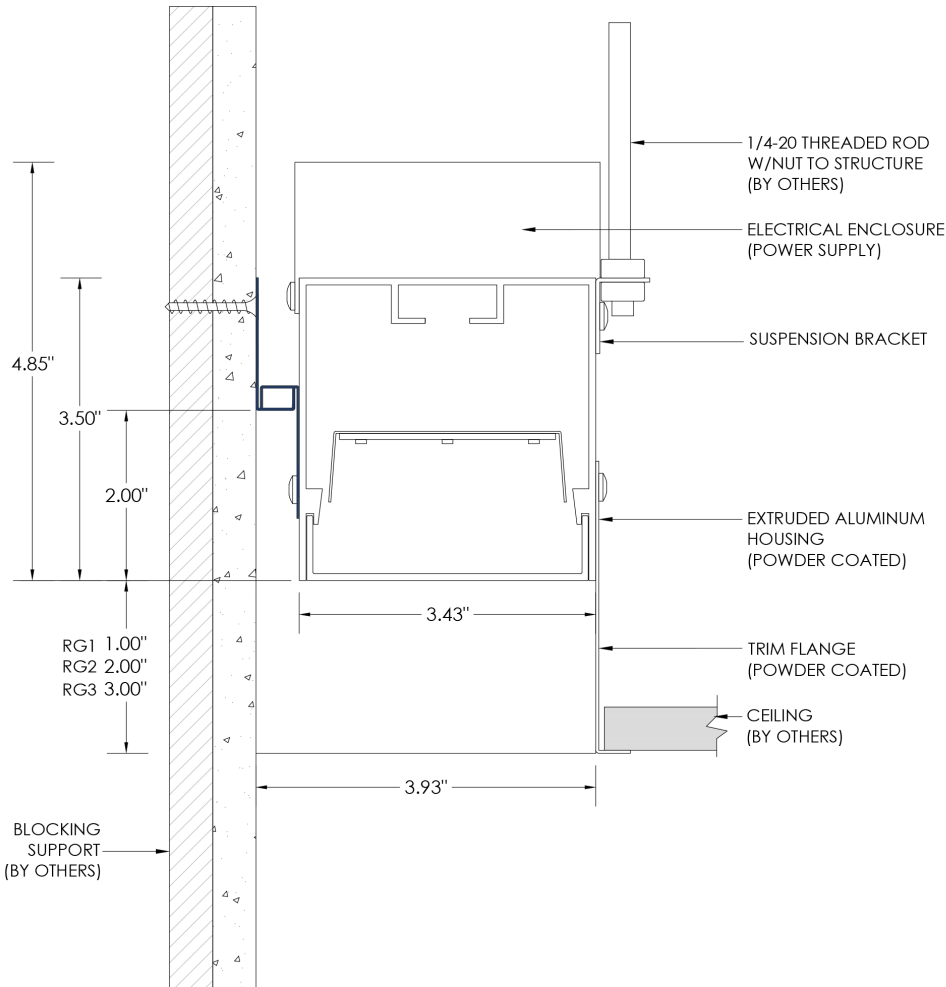
Standard 0-10V, constant current drivers with 100-1% dimming range and >0.9 power factor  
Standard 120/277V universal voltage with several driver options  
Luminaires are pre-wired with factory installed quick connects and branch circuit wiring  
All drivers are integral and easily accessible through luminaire aperture  
Minimum 4' and maximum 6' length for each integral emergency battery. 10W output for 90 minutes

**LED SYSTEM**

Proprietary LED system with color consistency <3 SDCM  
Available in 27K, 30K, 35K, and 40K  
Standard 80+CRI. Optional 90+CRI  
R9 value of 56 for 90+CRI  
L90 >60,000 hours  
5 Year Warranty

**MOUNTING**

New construction housing suspended via ¼" threaded rod or suspension cables (by others)  
Trim fixture designed for use in drywall, wood, and other architectural ceiling materials  
Trimless fixture designed for use in drywall, mud-in ceiling applications  
Flangeless fixture designed for use in wood ceilings  
Suitable for 4" TechZone and various grid ceiling applications (see mounting details)  
Standard mounting available in flush and regressed options up to 3".  
Consult 3G for modifications  
Fixture weight: +/- 3 lb/ft



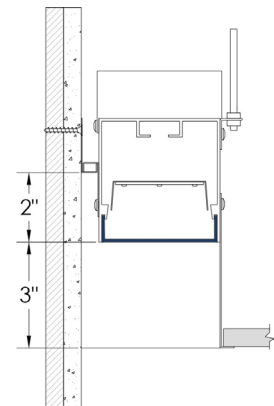
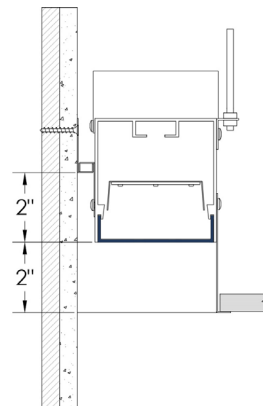
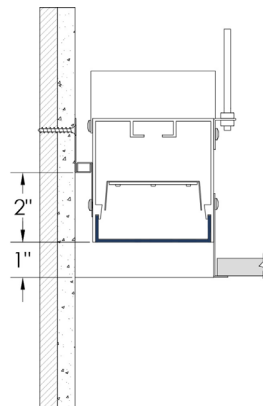
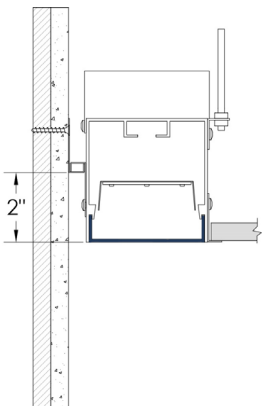
**LENS POSITION**

**FL** - FLUSH  
**DASY** - ASYMMETRIC OPTIC  
(ROOM SIDE)

**RG1** - 1" REGRESSED

**RG2** - 2" REGRESSED

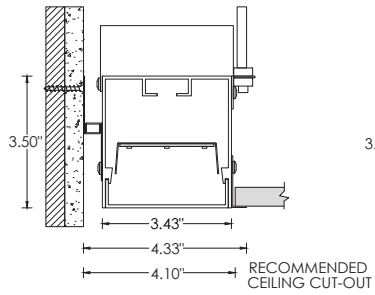
**RG3** - 3" REGRESSED



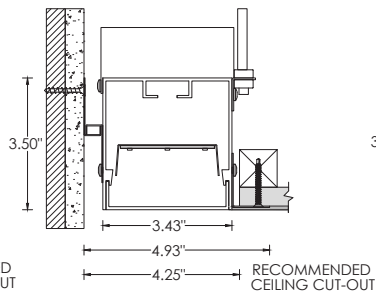
**HARD CEILING MOUNTING TYPES**

**FLUSH**

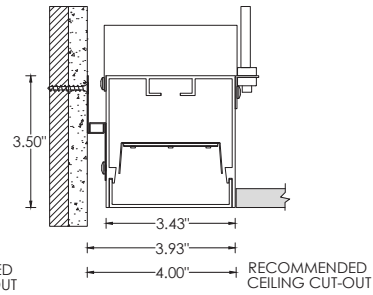
**WT - TRIM**



**XTR - TRIMLESS**

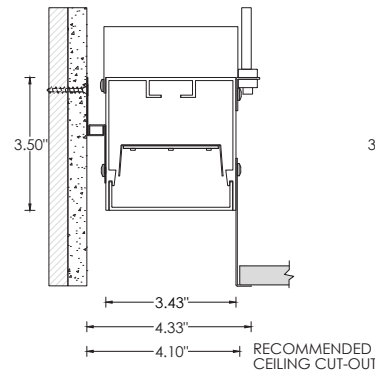


**FX - FLANGELESS**

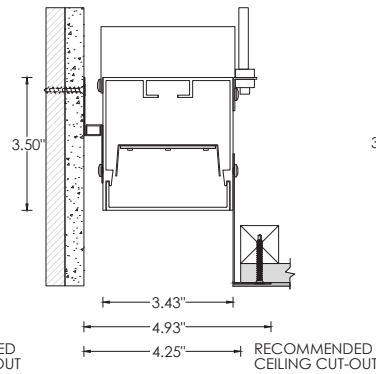


**2" REGRESSED**

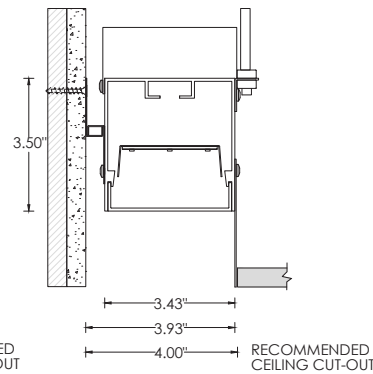
**WT - TRIM**



**XTR - TRIMLESS**



**FX - FLANGELESS**



**GRID CEILING MOUNTING TYPES**

**FLUSH**

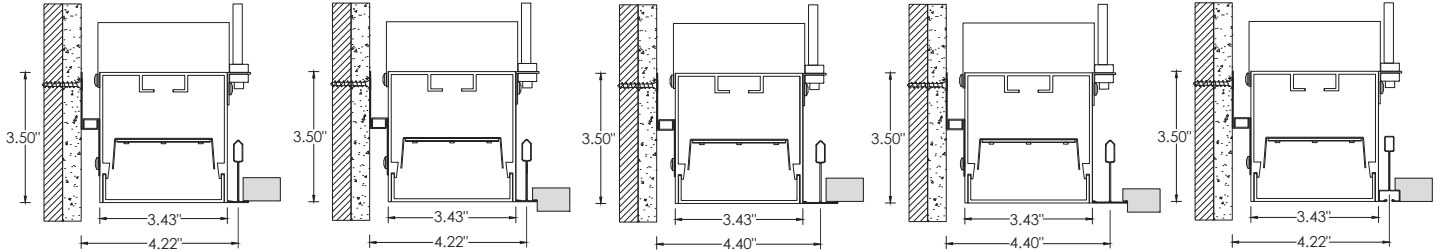
**9L - 9/16" LAYIN**

**9TG - 9/16" TEGULAR**

**15L - 15/16" LAYIN**

**15TG - 15/16" TEGULAR**

**9ST - 9/16" SLOT TEE TEGULAR**



**2" REGRESSED**

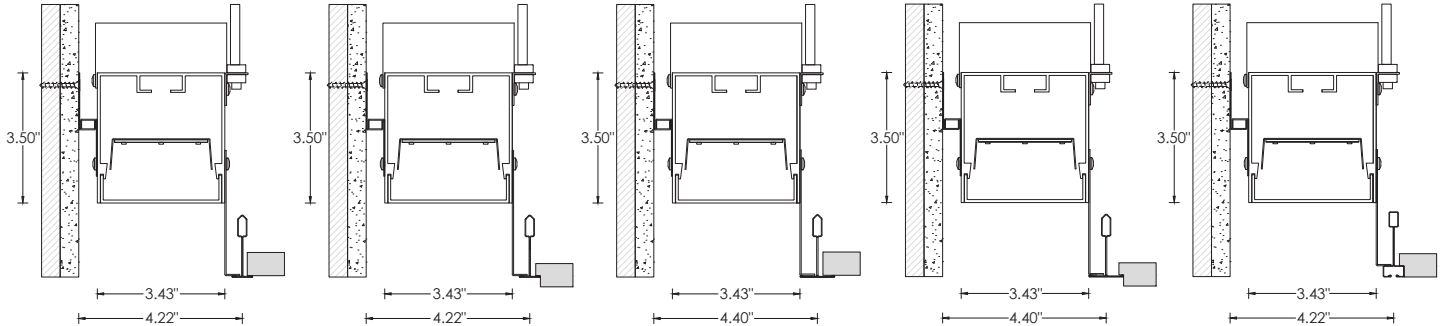
**9L - 9/16" LAYIN**

**9TG - 9/16" TEGULAR**

**15L - 15/16" LAYIN**

**15TG - 15/16" TEGULAR**

**9ST - 9/16" SLOT TEE TEGULAR**



**PATTERNS**

Specify pattern shape and overall dimensions as shown below  
 Patterns are connected with fully illuminated 12"x12" L, T, and X-shaped sections  
 Please consult factory for custom patterns and shapes not shown below



L-SHAPE	U-SHAPE
Provide dimensions of Ax B Example: L - 6'x8'	Provide dimensions of Ax BxC Example: U - 8'x10'x6"