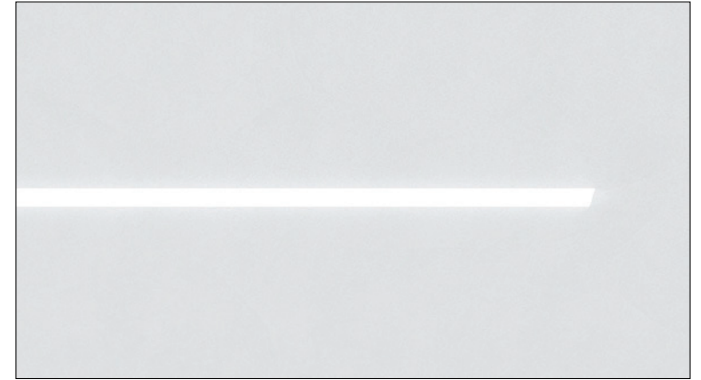




3G-1RLI, 3G-2RLI, and 3G-4RLI
1.5", 2", and 3.5" RECESSED LINIA
 TRIMLESS FLANGE

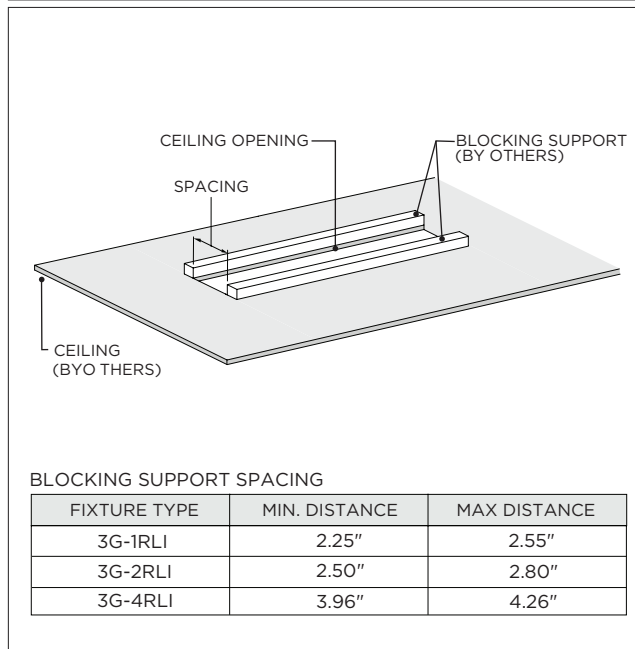
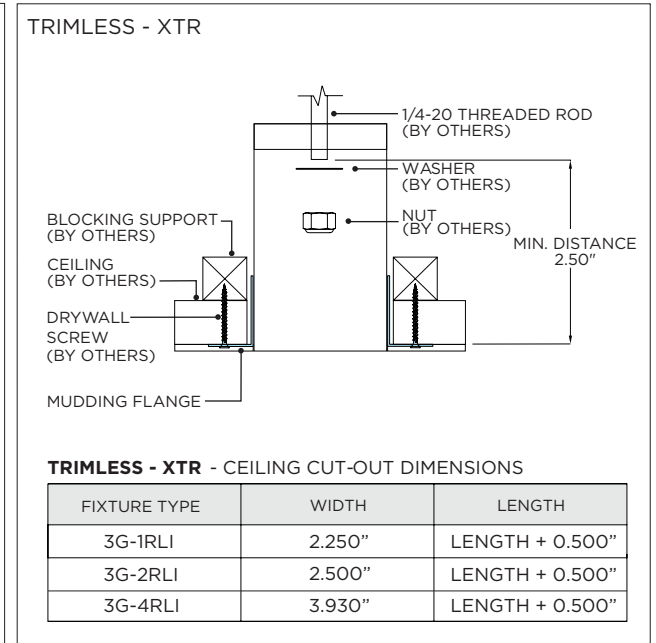
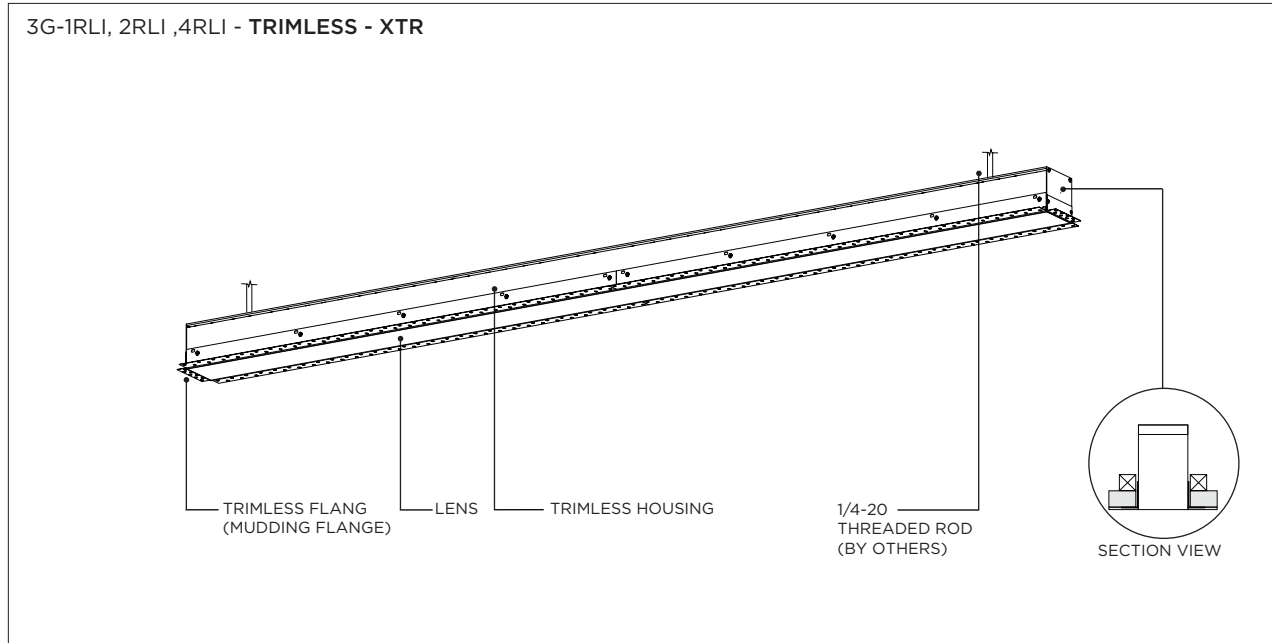


⚠ FOR NEW CONSTRUCTION INSTALLATION ONLY

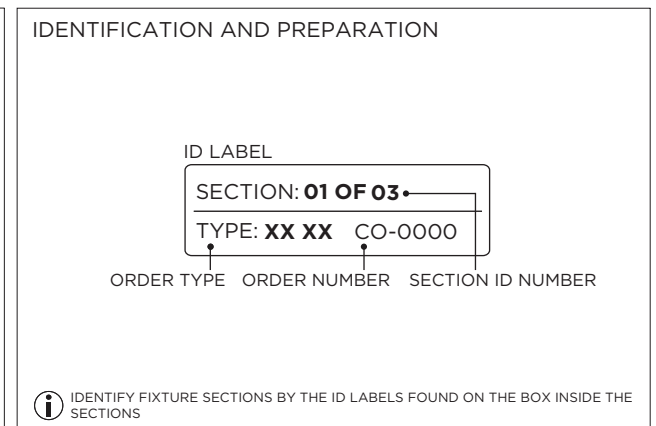
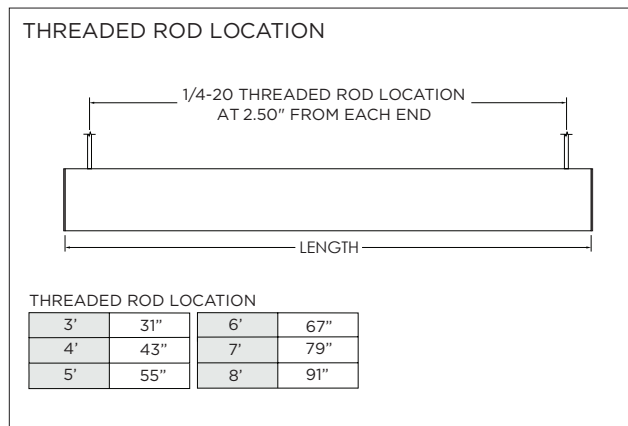
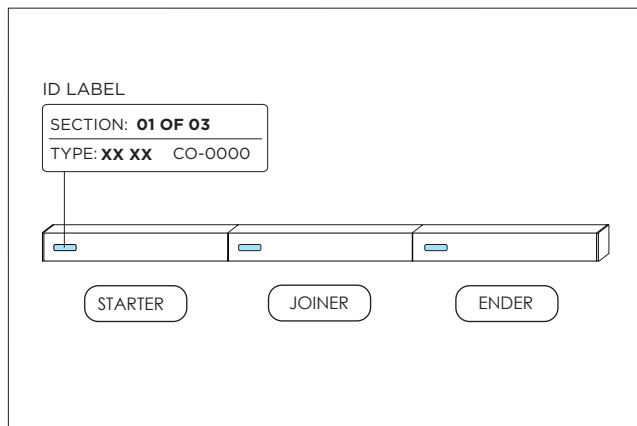
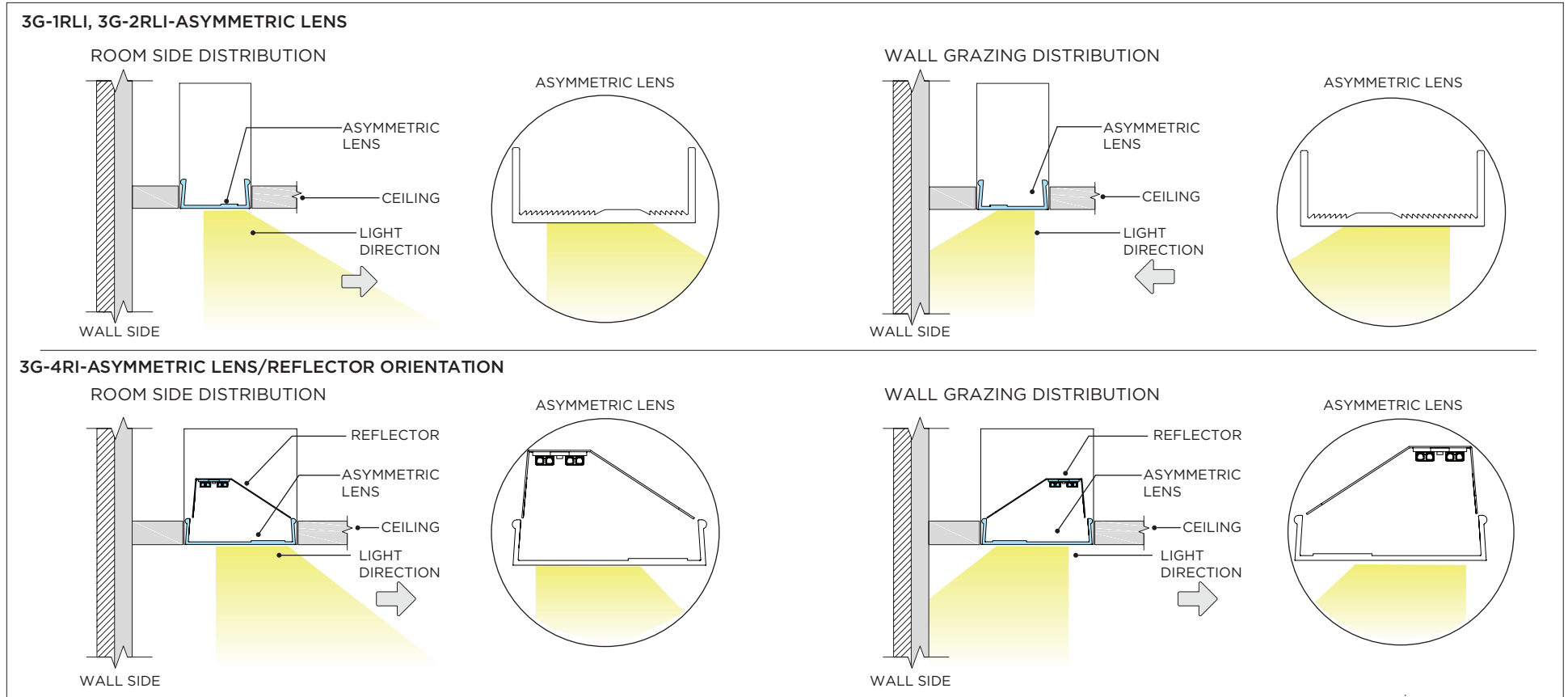
FIXTURE TYPES			INCLUDED COMPONENTS	
<p>1RLI PROFILE</p>	<p>2RLI PROFILE</p>	<p>4RLI PROFILE</p>	<p>Standalone Fixtures (2' to 8')</p>	
<p>Continuous Runs (9' to 16')</p>			<p>Continuous Runs (17' and longer)</p>	

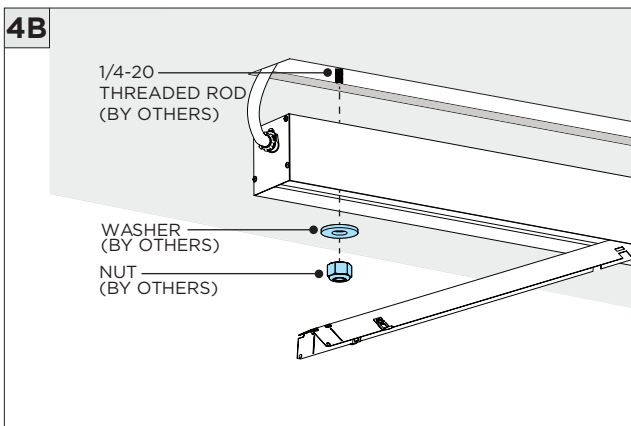
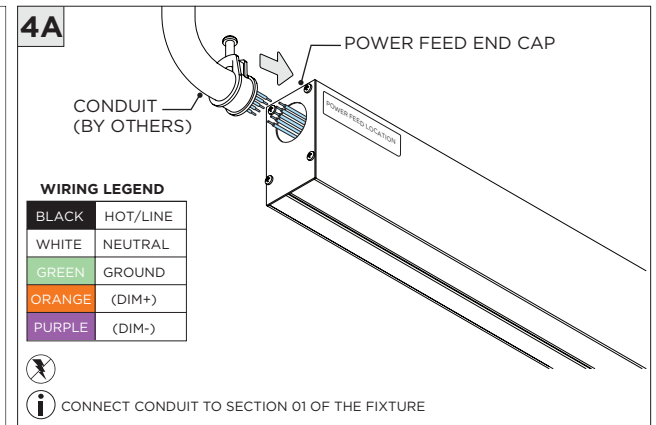
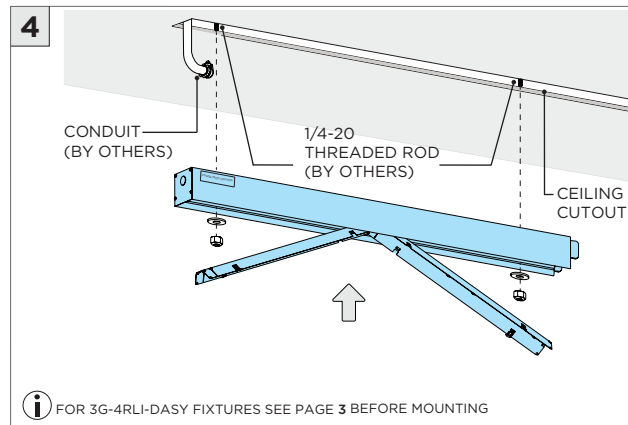
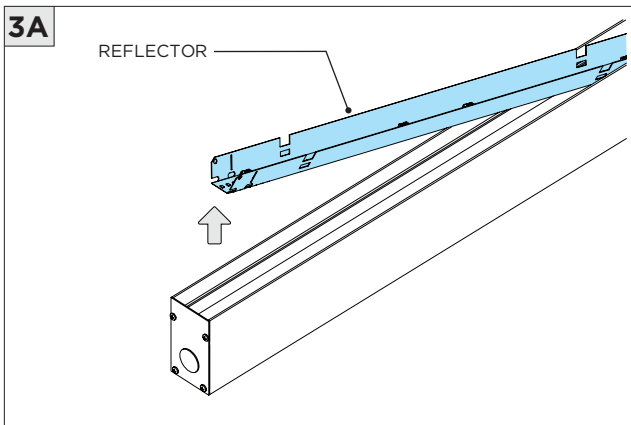
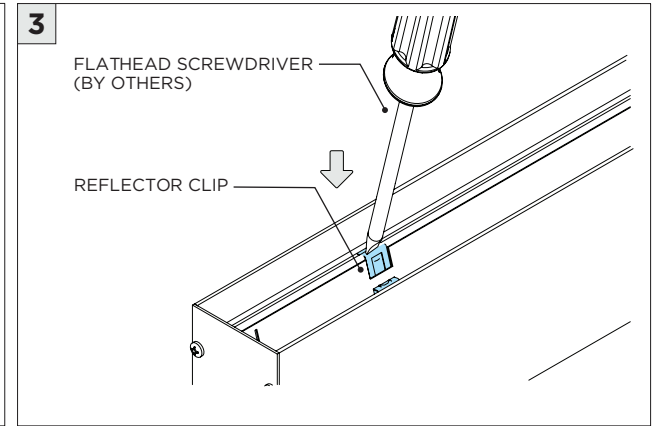
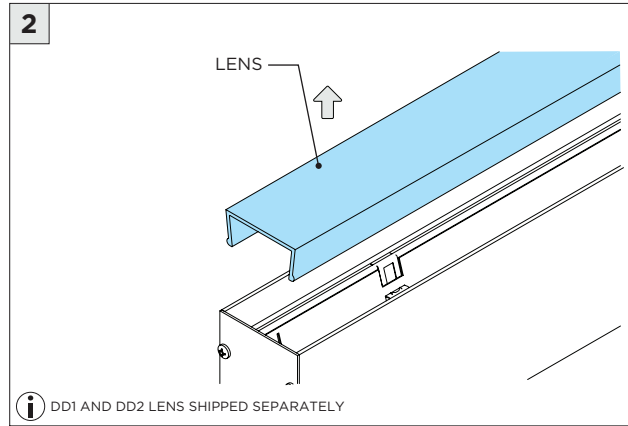
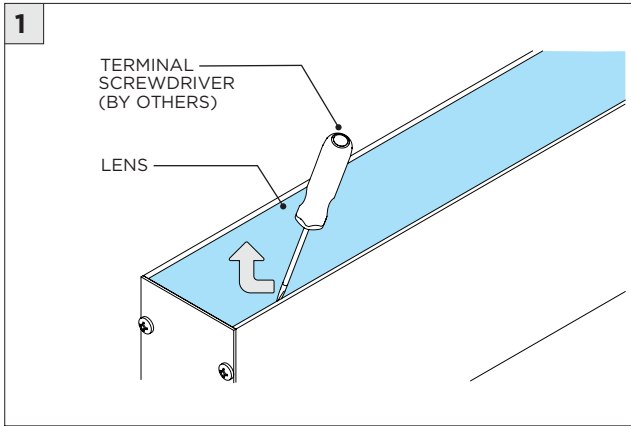
INSTRUCTION KEY	INFORMATION
⚠ ADDITIONAL	INSTALLATION SHOULD ONLY BE PERFORMED BY A CERTIFIED ELECTRICIAN REFER TO LOCAL/NATIONAL CODES FOR PROPER INSTALLATION FAILURE TO FOLLOW INSTALLATION INSTRUCTION MAY VOID THE WARRANTY DO NOT TOUCH LEDS. LEDS MUST BE PROTECTED FROM MECHANICAL STRESS OR DEBRIS TURN OFF POWER DURING INSTALLATION OR SERVICING
i ATTENTION	
⚡ POWER ON	
⊘ POWER OFF	

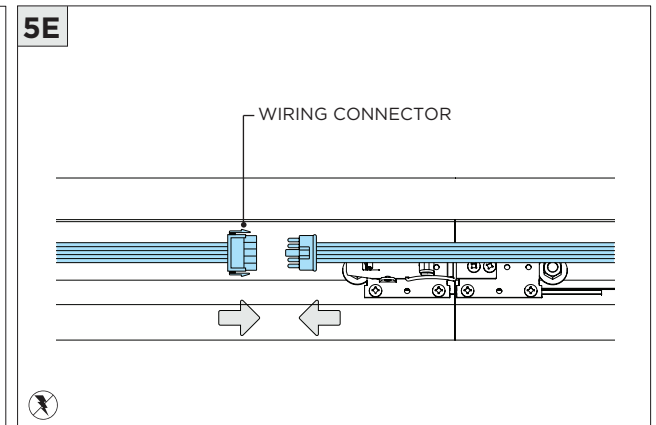
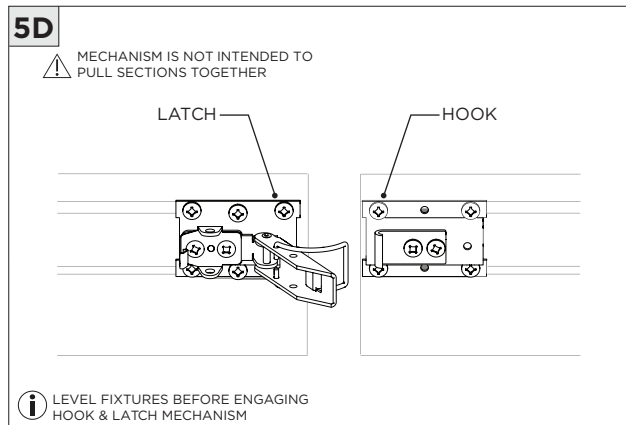
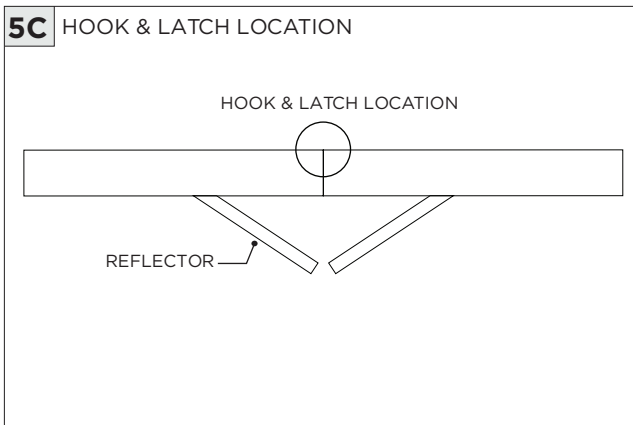
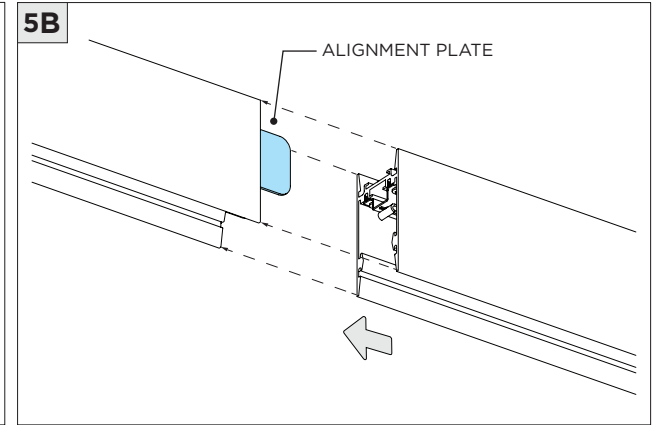
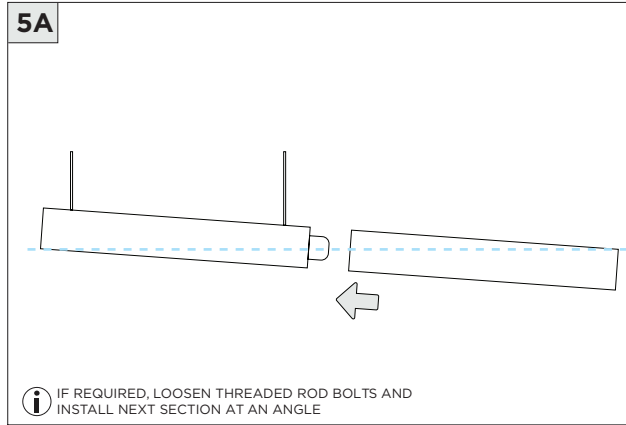
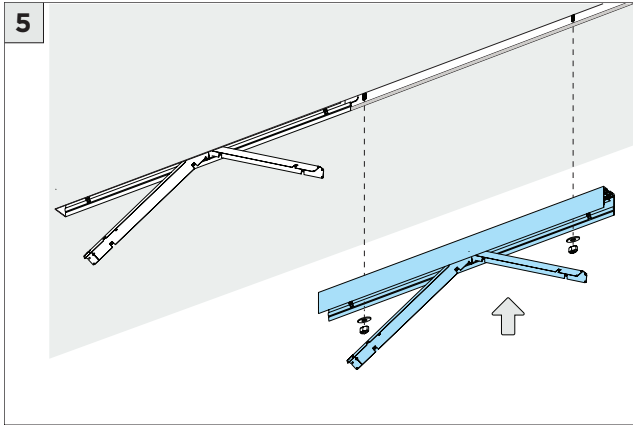
OVERVIEW

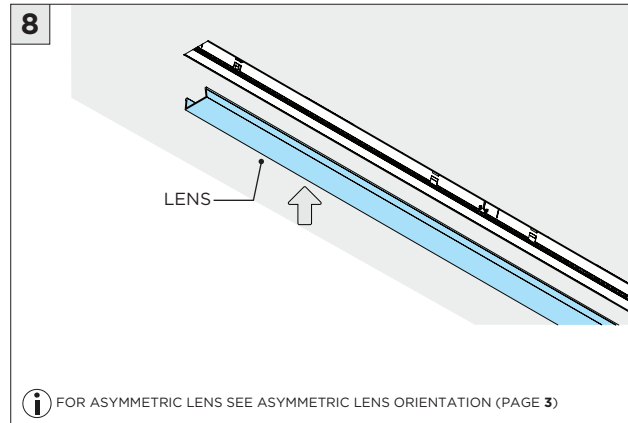
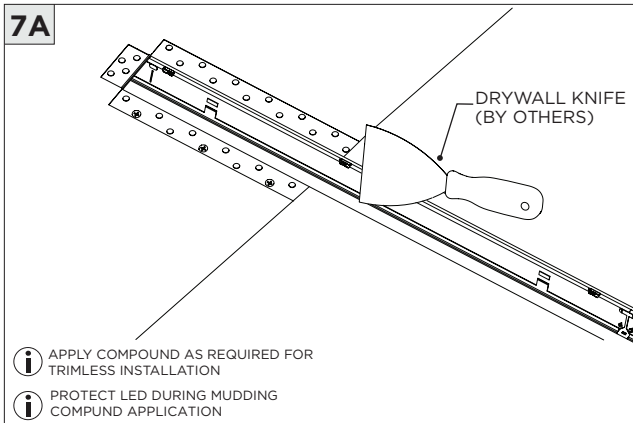
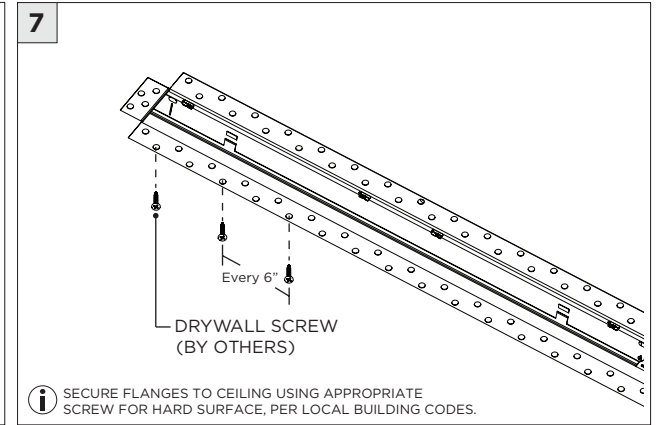
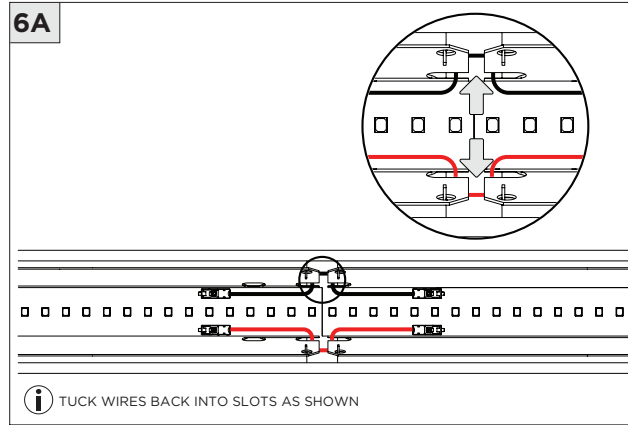
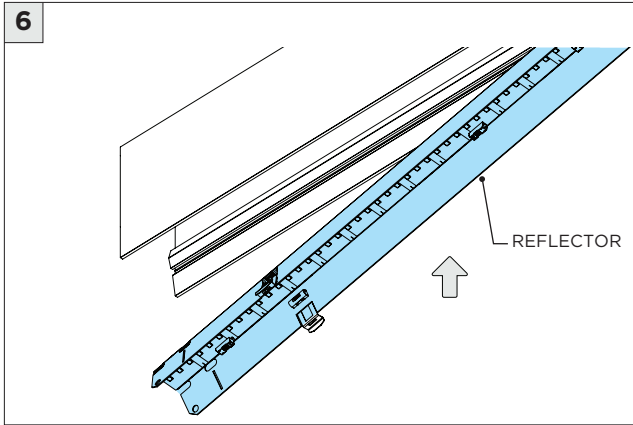


ASYMMETRIC LENS ORIENTATION



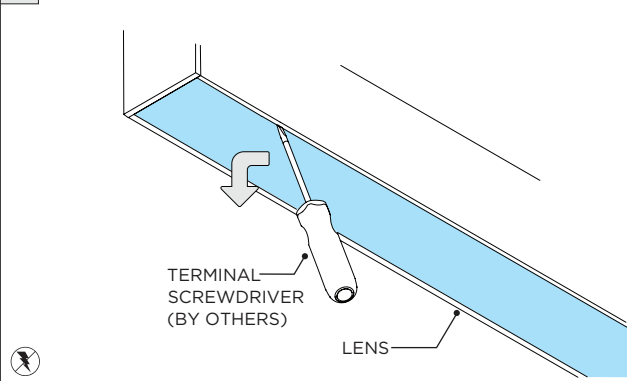




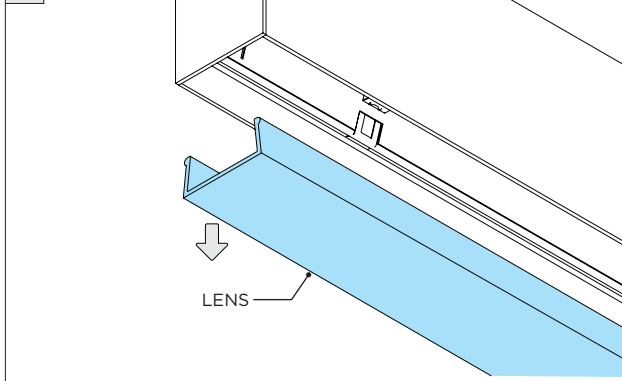


DRIVER SERVICING

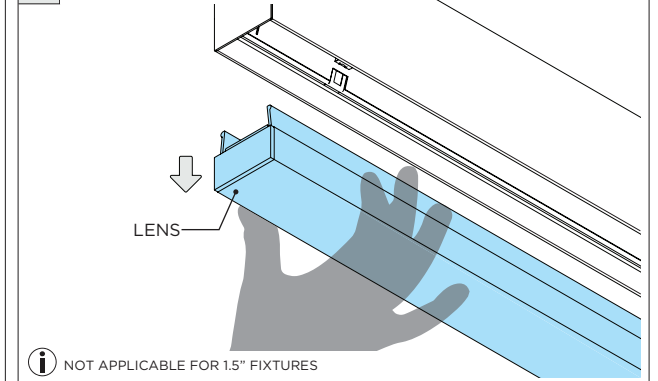
1 FLUSH LENS REMOVAL



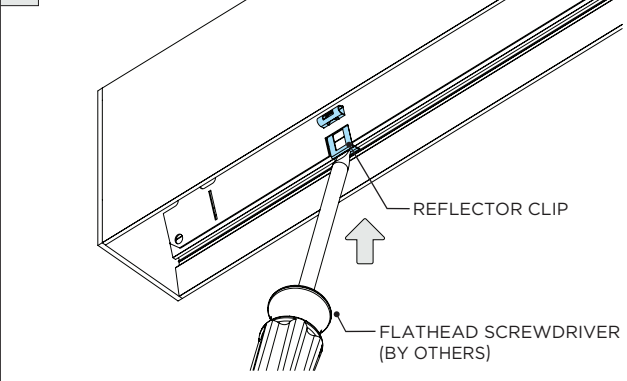
2



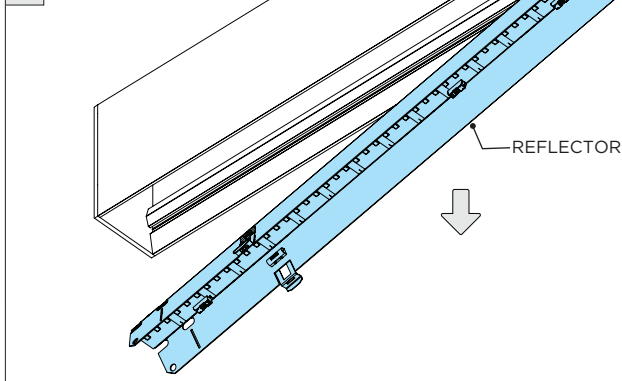
2A DROP LENS REMOVAL



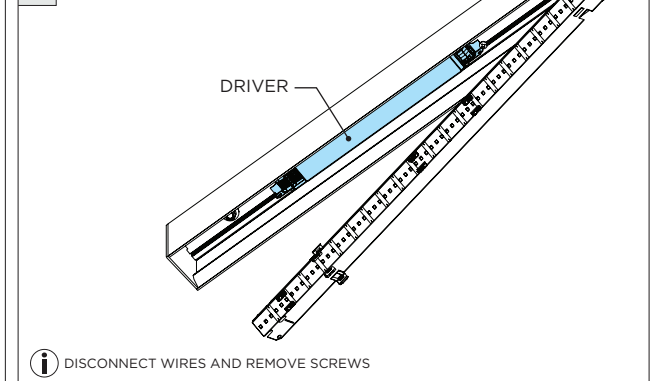
3



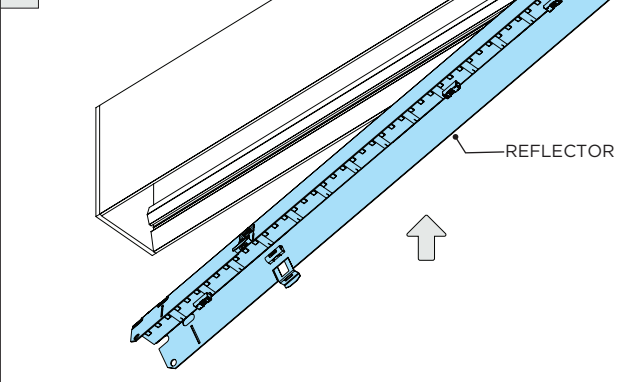
4



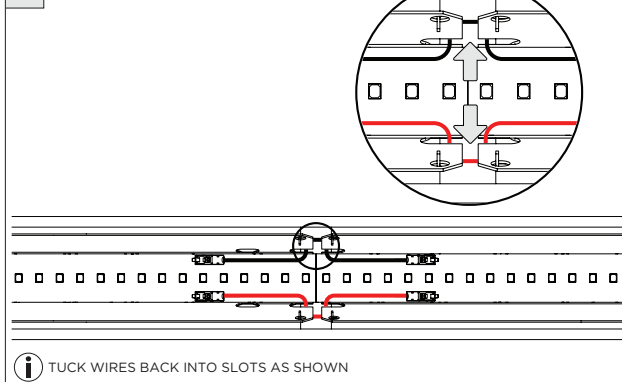
5



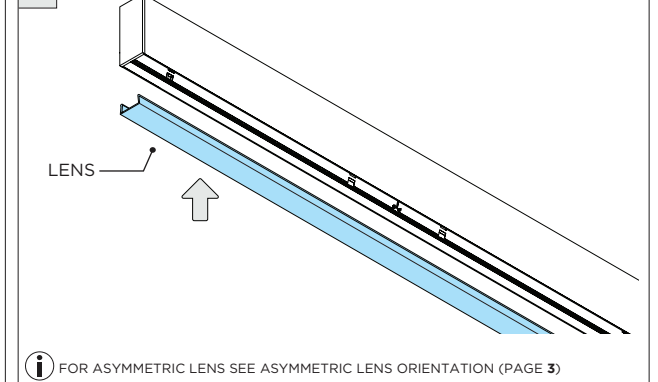
6



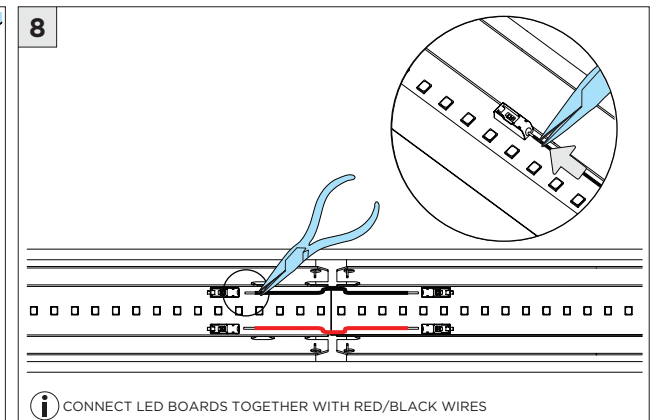
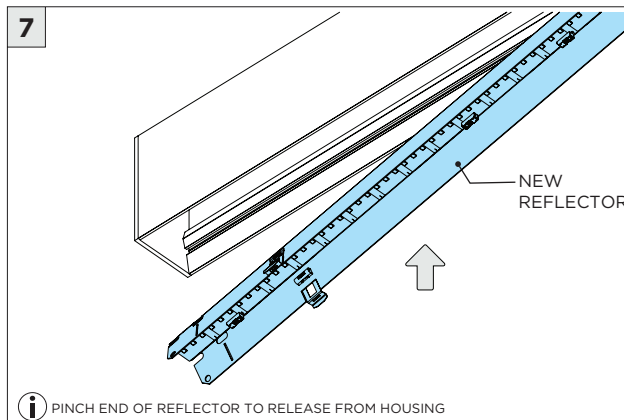
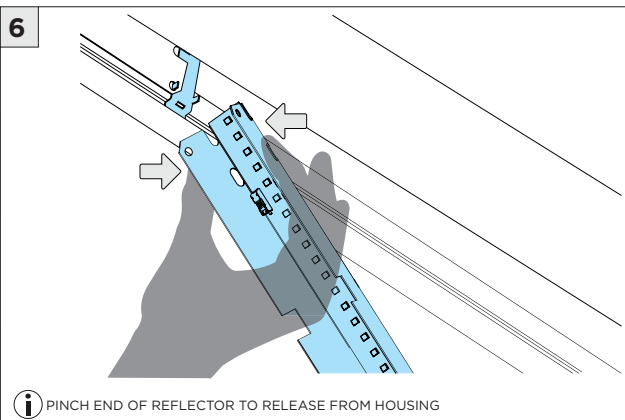
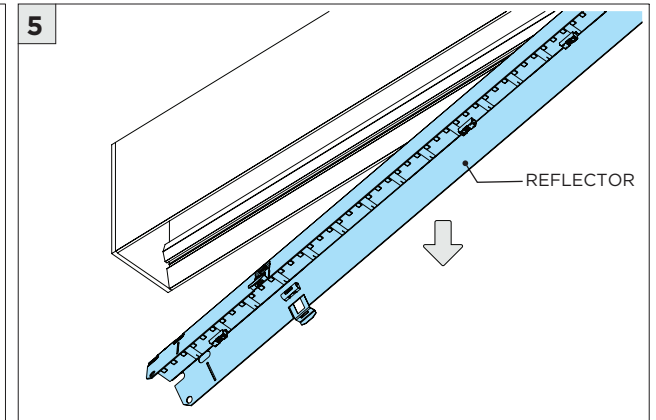
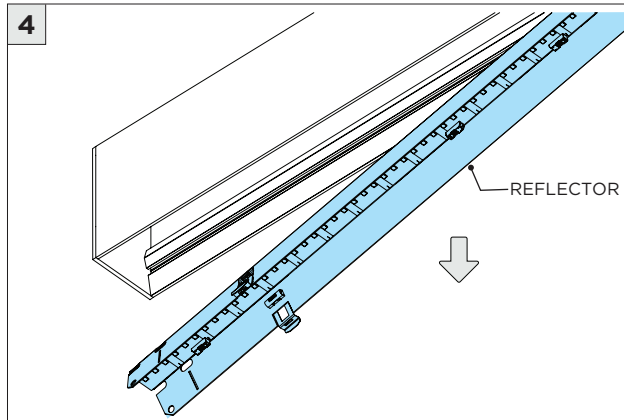
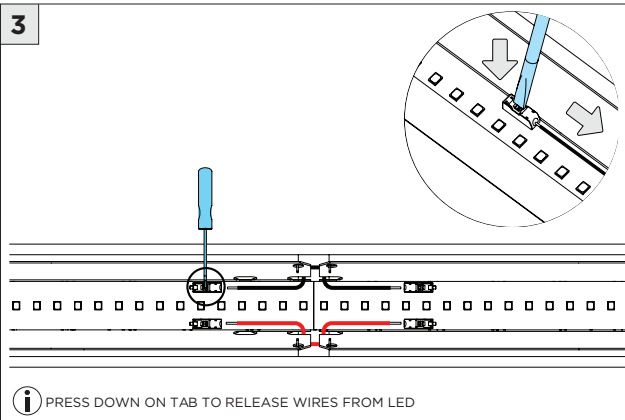
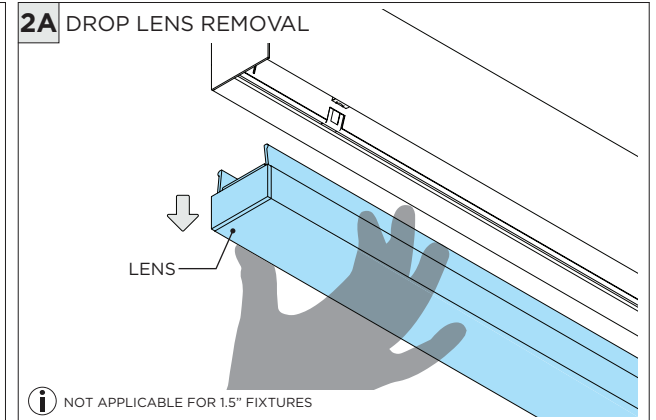
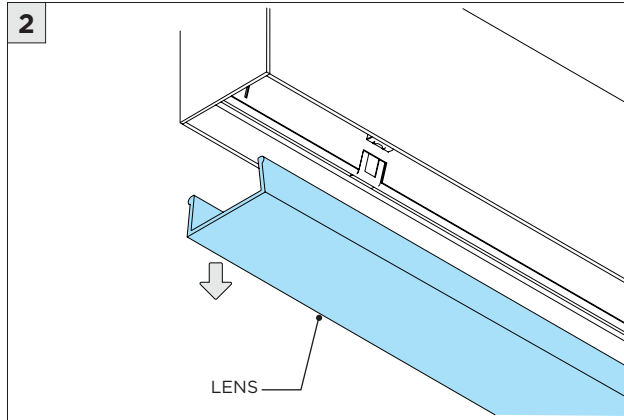
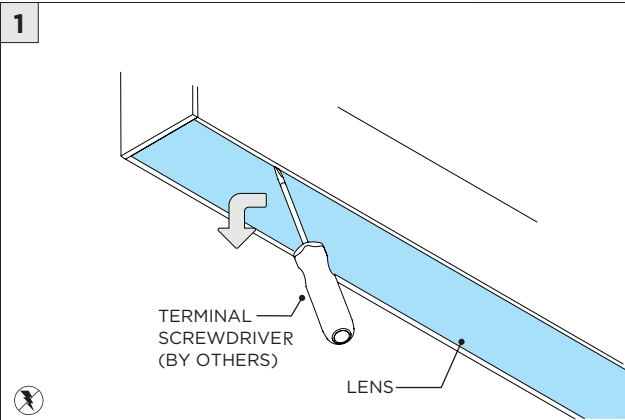
7



8



LED SERVICING



LED SERVICING

