

3G LIGHTING

3G-PIN3

3 LIGHT MADISON INFORMA
PENDANT MOUNTED



Extruded aluminum frame with fabricated mitered corners
Standard clear etched and black etched anodized finishes
Machined aluminum double gimbals. Adjustable and lockable
Regressed LED source for enhanced glare control
Lumen range of 1000lm to 4000lm (80+, 90+, and 97+ CRI options)
1% dimming standard with several integral driver options

PROJECT:		TYPE:	
CATALOG#:		DATE:	QTY:

CAT. NO	LUMEN OUTPUT	CRI	COLOR TEMP	BEAM ANGLE	VOLTAGE
3G-PIN3	10 - 1000 LUMENS	S80 - 80+ CRI ¹	27K - 2700K	10D - 10° ²	UNV - 120/277V
	15 - 1500 LUMENS	H90 - 90+ CRI	30K - 3000K	20D - 20°	120 - 120V
	22 - 2200 LUMENS	H97 - 97+ CRI ¹	35K - 3500K	40D - 40°	347 - 347V ³
	30 - 3000 LUMENS		40K - 4000K	60D - 60°	
	40 - 4000 LUMENS			90D - 90° *	

*90D reflector supplied standard with lens

DRIVER	GIMBAL FINISH	FRAME FINISH	CABLE LENGTH
DIM - 0-10V (100-1%) LE - PHASE DIM ⁴ <small>(TRIAC/ELV, 100-1%)</small> DO1 - 0-10V (100-0.1%) DALI - DALI (100-1%) ⁵ DHL2 - LUTRON HI-LUME <small>(1% ECOSYSTEM)</small> DMX - DMX (100-0%)	NG - NATURAL ALUMINUM BG - BLACK GIMBAL	AN - ANODIZED (STANDARD) BK - BLACK CF - CUSTOM	60" - 60" 120" - 120"

OPTIONS
2C - 2 CIRCUIT HXB - BLACK HEXCELL LOUVER LS - LINEAR SPREAD LENS SB - SANDBLASTED LENS SF - SOFTENING LENS CBB - BLACK CROSS BAFFLE CBN - NATURAL CROSS BAFFLE STB - BLACK SNOOT STN - NATURAL SNOOT STW - WHITE SNOOT

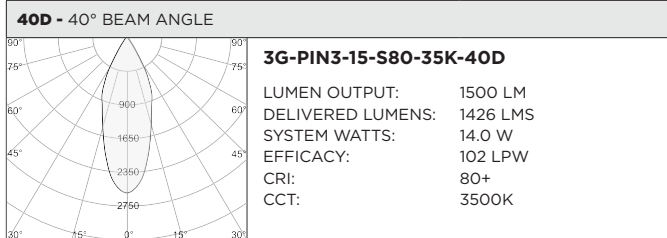
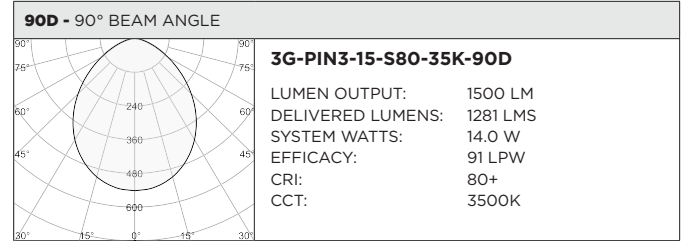
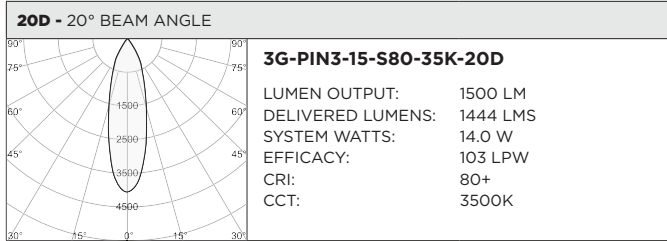
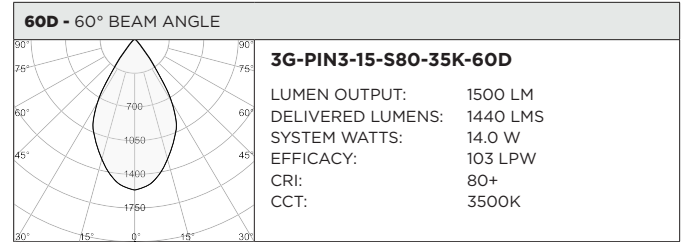
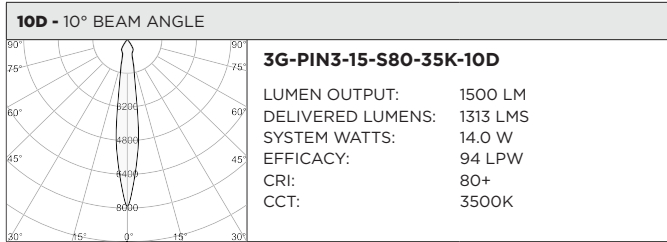
Maximum 3 optical accessories. See optical accessories page for more options

¹ S80 not available in 27K. H97 available in 30K and 35K as standard and available up to 3000lm
² 10D reflector available up to 2200lm
³ 347 available in "DIM" 0-10V only (100-1%)
⁴ Forward Phase/Reverse Phase driver available in 120V only
⁵ DALI-2 (Type 6) provided as standard. Please consult factory for DALI (Type 8) options

BASED ON 20° BEAM AND 3500K SOURCE (PER FIXTURE HEAD)

LUMEN OUTPUT	80+ CRI			90+ CRI			97+ CRI		
	DELIVERED LUMENS	SYSTEM WATTS	EFFICACY (LPW)	DELIVERED LUMENS	SYSTEM WATTS	EFFICACY (LPW)	DELIVERED LUMENS	SYSTEM WATTS	EFFICACY (LPW)
1000LMs	1080	10.3	105	951	10.3	92	886	10.3	86
1500LMs	1444	14.0	103	1271	14.0	91	1184	14.0	85
2200LMs	2089	22.0	95	1838	22.0	84	1713	22.0	78
3000LMs	2815	31.3	90	2477	31.3	79	2308	31.3	74
4000LMs	3958	43.0	92	3483	43.0	81	N/A	N/A	N/A

LUMEN OUTPUT MULTIPLIER: 27K=0.94, 30K=0.97, 35K=1.00, 40K=1.01



HOUSING

Extruded aluminum frame with fabricated mitered corners
Standard clear etched anodized finish with black anodized option
Electrical enclosures fabricated in steel. Standard matte silver powder coated finish
Modified and custom configurations available

ADJUSTABILITY

Solid machined aluminum double gimbal with dual axis adjustability
Each double gimbal can be locked in place

OPTICS

Regressed LED source for enhanced glare control
Proprietary anodized, aluminum reflectors are field replaceable (10° reflector not interchangeable)
Available in 10°, 20°, 40°, 60° and 90°

LISTING

ETL listed and conforms to UL1598 standard. Certified to CSA22.2 No.250.0.
Rated for indoor dry or damp locations

WARRANTY

5 Year Warranty on LED and drivers
Manufacturer 1 Year Warranty for defects in material and workmanship under normal use
Ambient temperature at fixture should not exceed 25°C

ELECTRICAL

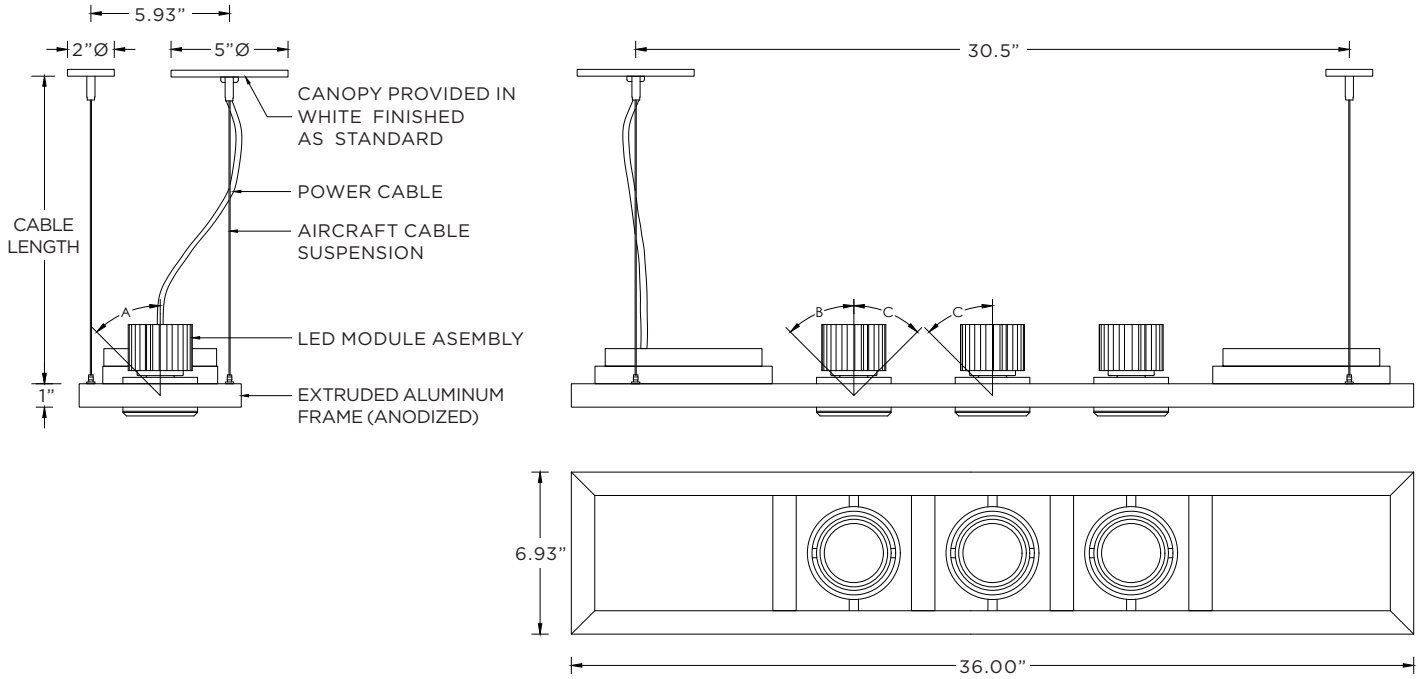
Standard 0-10V, constant current drivers with 100-1% dimming range and >0.9 power factor
Standard 120/277V universal voltage drivers. Optional 347V, 0-10V drivers
120V Forward Phase/Reverse Phase driver option with 100-1% dimming range
eldoLED 0-10V driver option available with 100-0.01% dimming range
eldoLED DALI and Lutron EcoSystem driver options available with 100-1% dimming range
DMX driver option available with 100-0% dimming range
All drivers are integral and easily accessible through the top of the fixture housing

LED SYSTEM

Citizen LED module (field replaceable)
Color consistency <2 SDCM
Standard (80+ CRI). Optional (90+ and 97+ CRI)
Available in 27K, 30K, 35K, and 40K
L90 >50,000 hours
5 Year Warranty

MOUNTING

Aircraft cable suspension with adjustable locking fasteners
Suitable for various ceiling applications (see mounting details)
Suitable for various grid ceiling applications (see mounting details)
All mounting canopies provided in white finish as standard



LUMEN OUTPUT	A	B	C
Up to 1500lm	45	45	45
2200lm/3000lm	45	45	35
4000lm	30	30	20

MOUNTING DETAILS

