

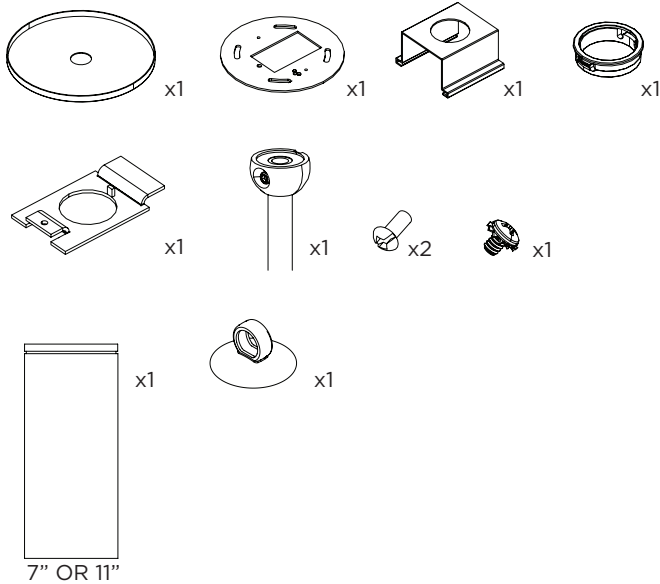
4.5" DOWNLIGHT CYLINDER - PENDANT

STEM PENDANT MOUNT

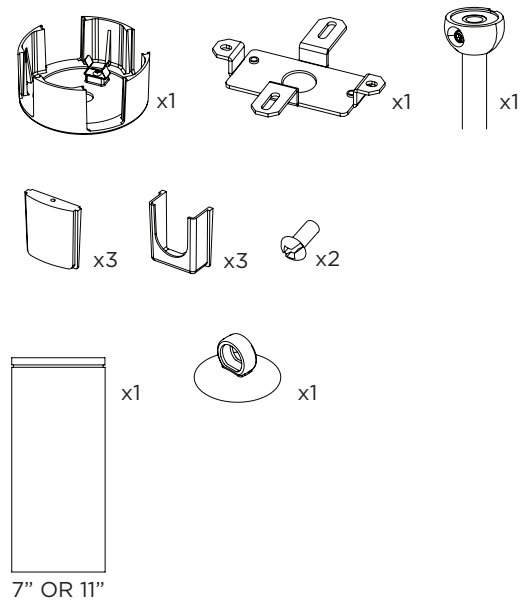


COMPONENTS

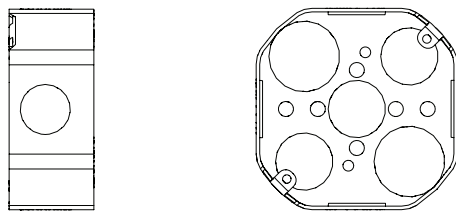
STANDARD CANOPY



CONDUIT FEED CANOPY

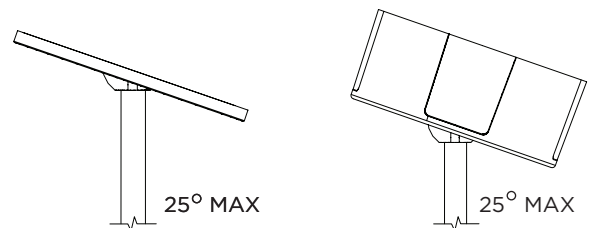


4" OCTAGONAL J-BOX REQUIRED FOR INSTALLATION



JUNCTION BOX (BY OTHERS)

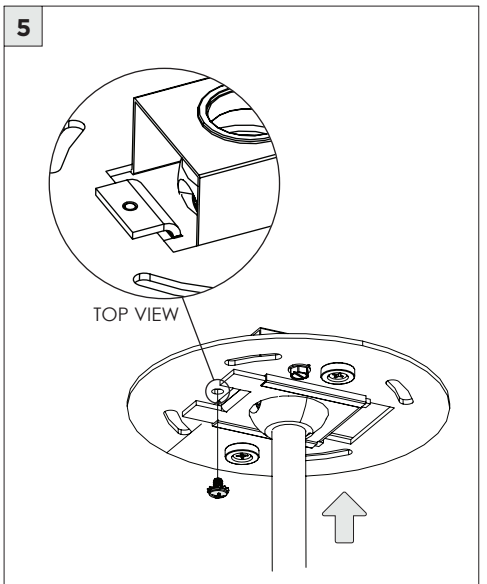
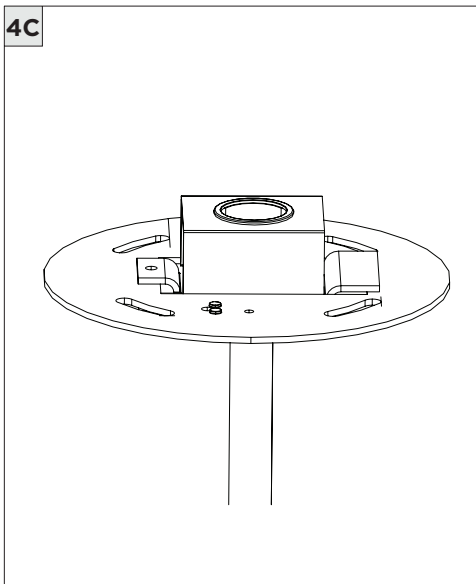
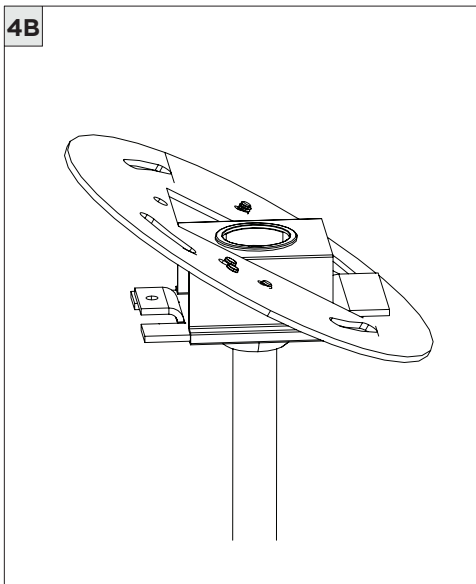
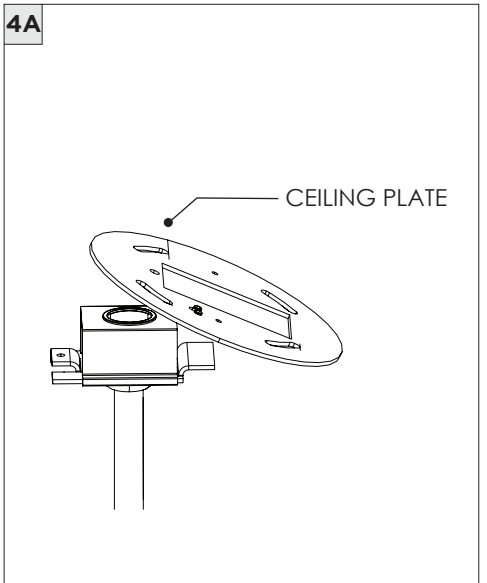
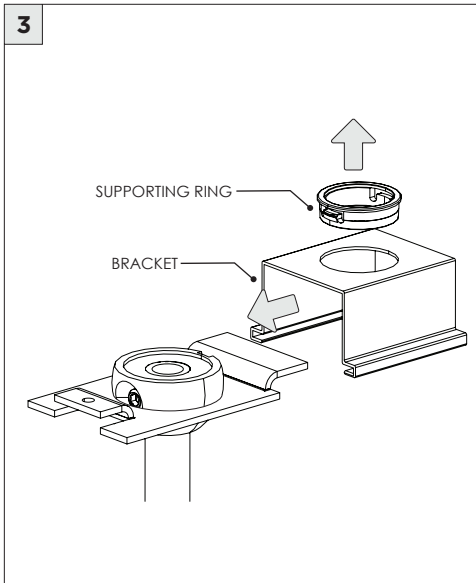
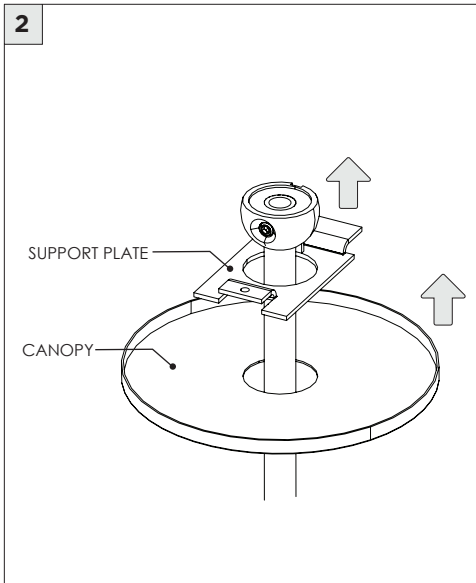
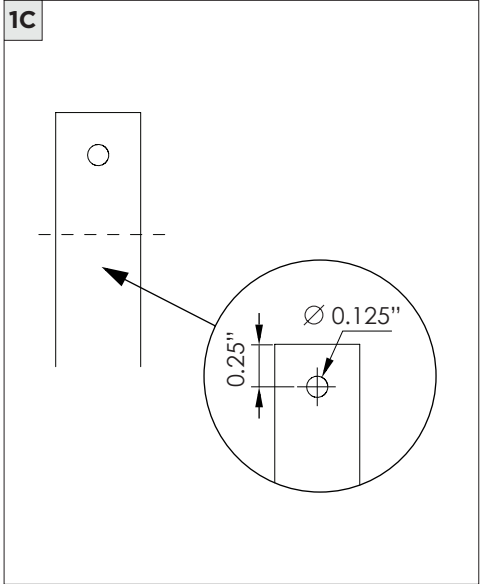
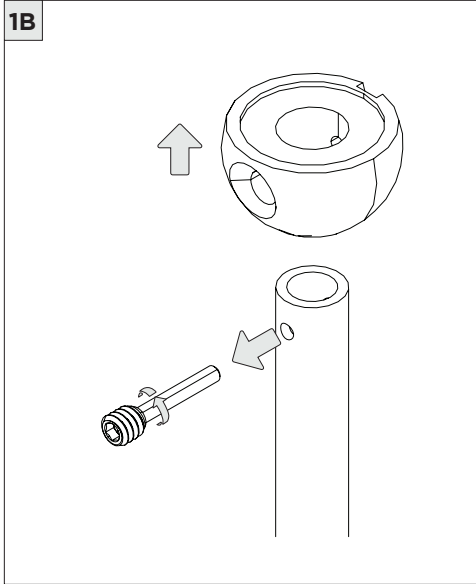
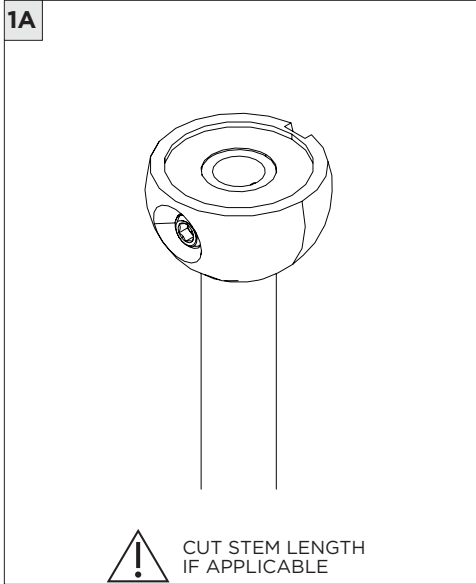
SUITABLE FOR SLOPED CEILING



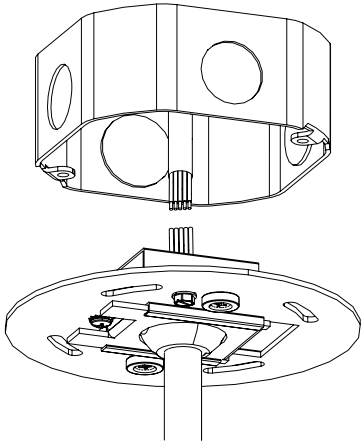
INSTRUCTION KEY

INFORMATION

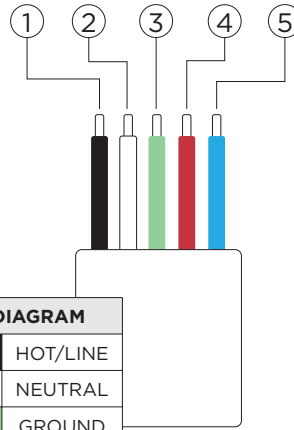
	ADDITIONAL	<p>INSTALLATION SHOULD ONLY BE PERFORMED BY A CERTIFIED ELECTRICIAN REFER TO LOCAL/NATIONAL CODES FOR PROPER INSTALLATION FAILURE TO FOLLOW INSTALLATION INSTRUCTION MAY VOID THE WARRANTY DO NOT TOUCH LEDS. LEDS MUST BE PROTECTED FROM MECHANICAL STRESS OR DEBRIS TURN OFF POWER DURING INSTALLATION OR SERVICING</p>
	ATTENTION	
	POWER ON	
	POWER OFF	



6A

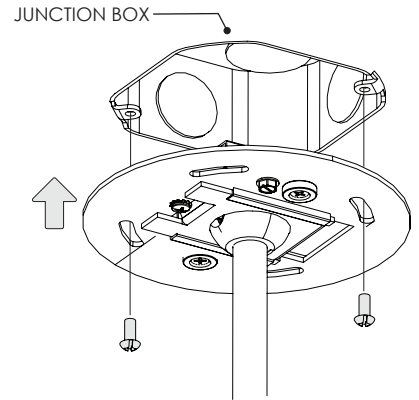


6B

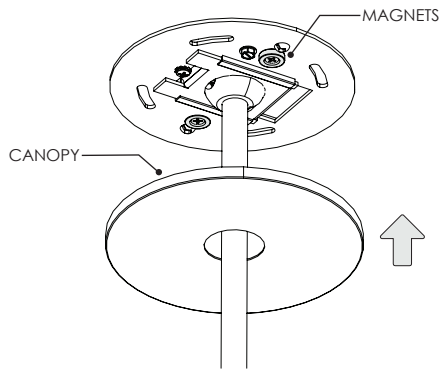


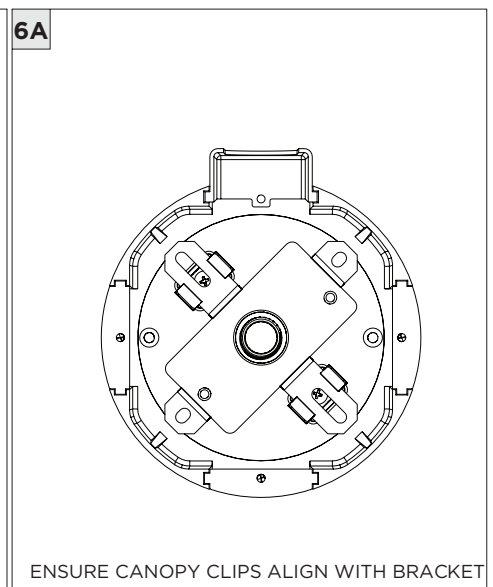
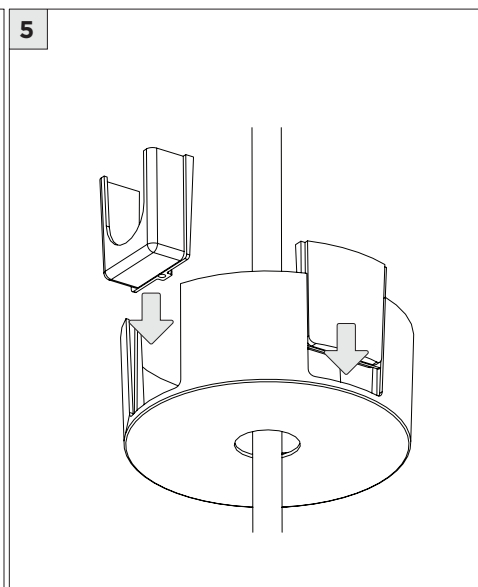
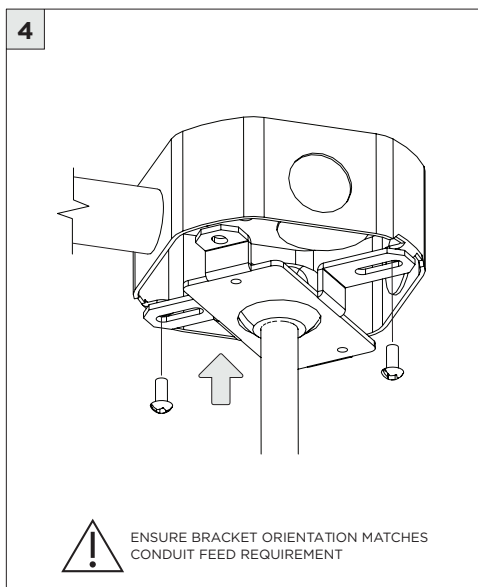
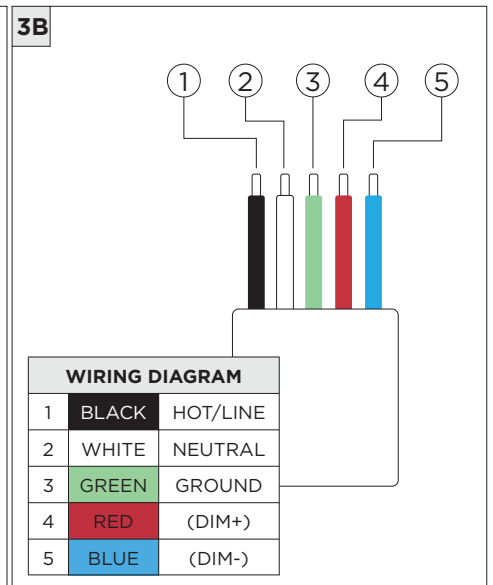
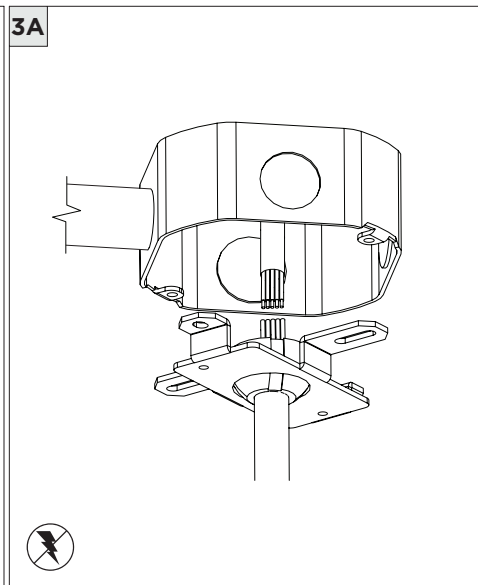
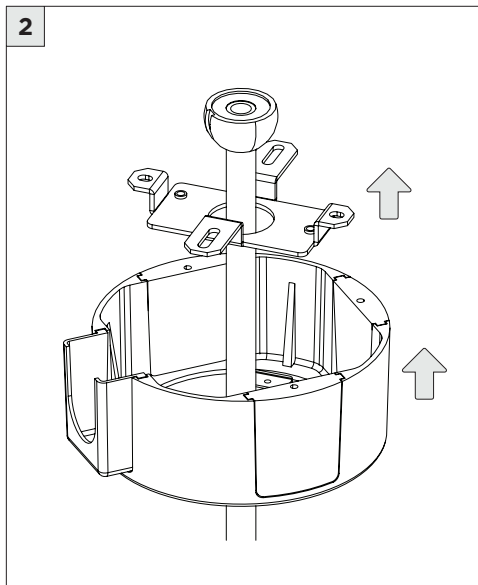
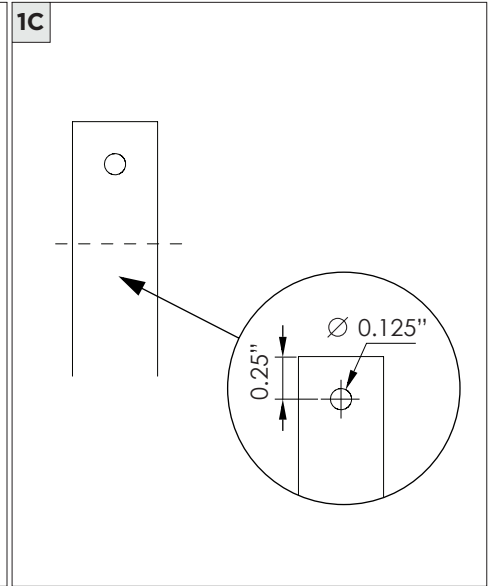
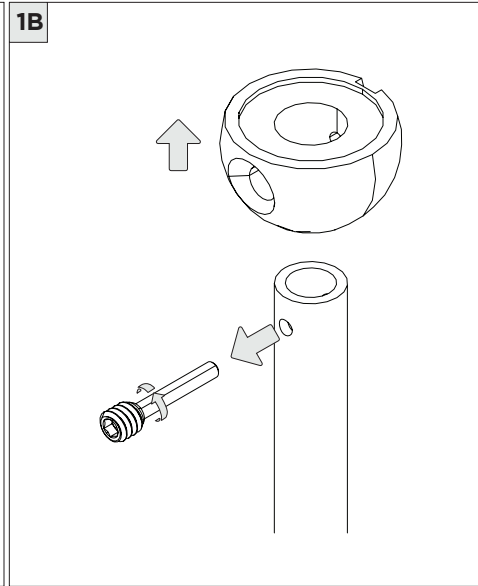
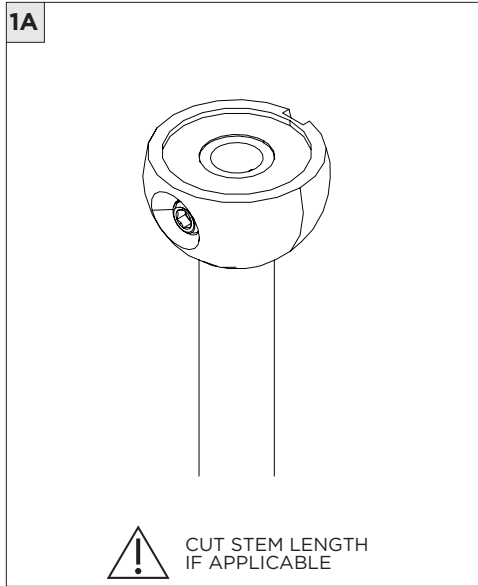
WIRING DIAGRAM		
1	BLACK	HOT/LINE
2	WHITE	NEUTRAL
3	GREEN	GROUND
4	RED	(DIM+)
5	BLUE	(DIM-)

7

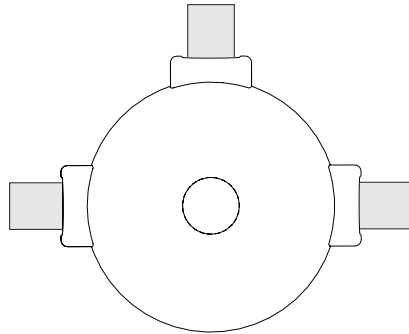
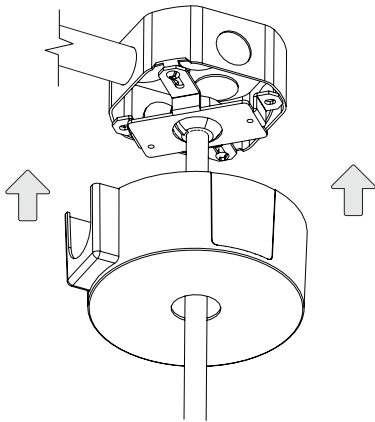


8

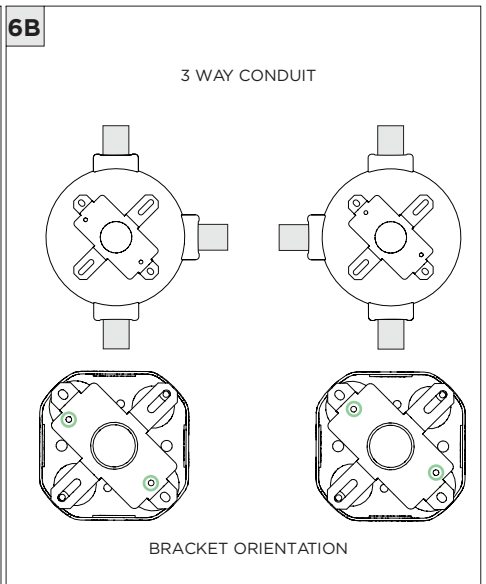
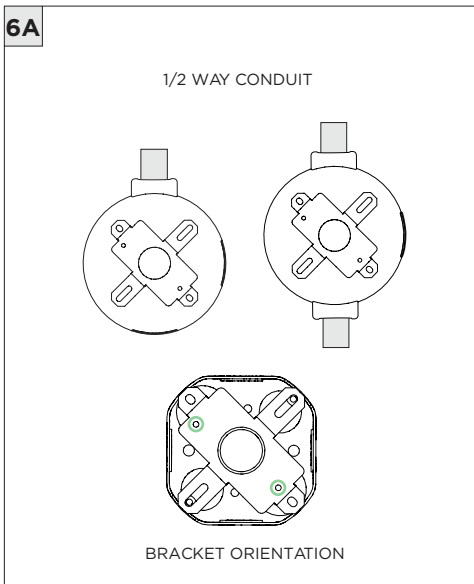
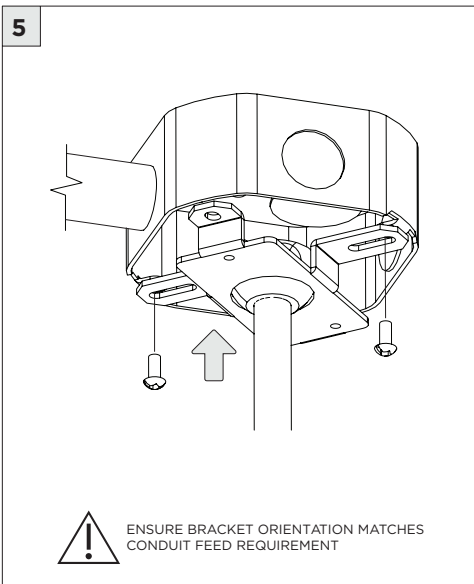
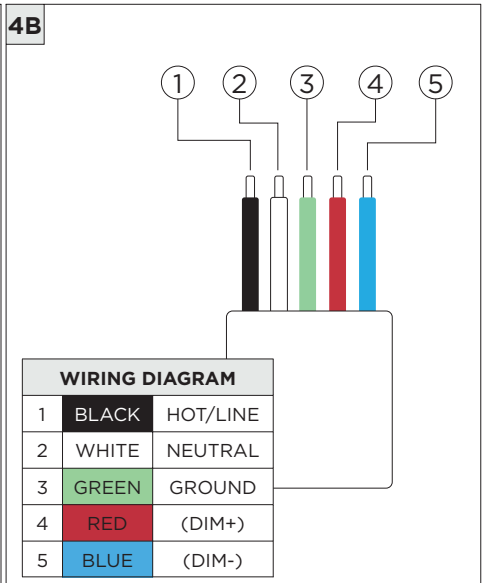
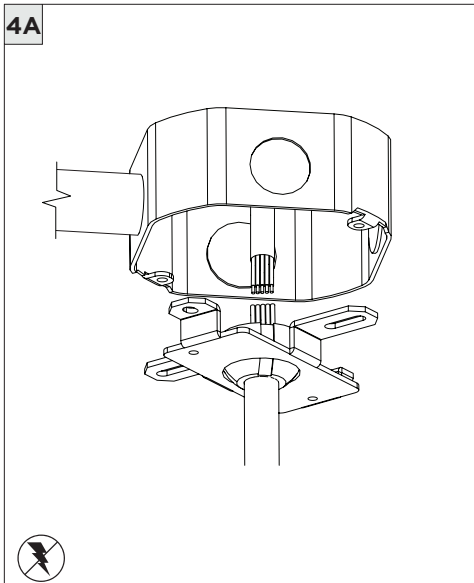
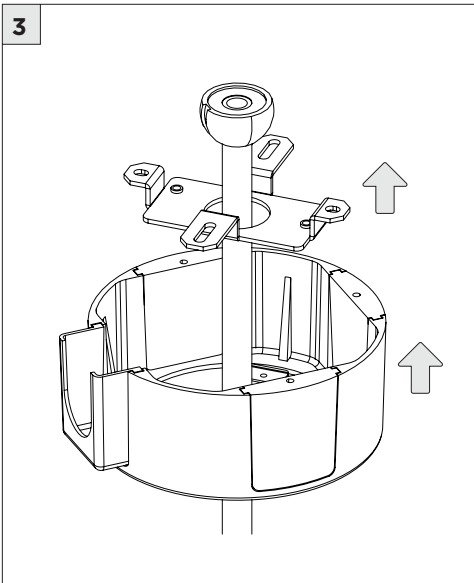
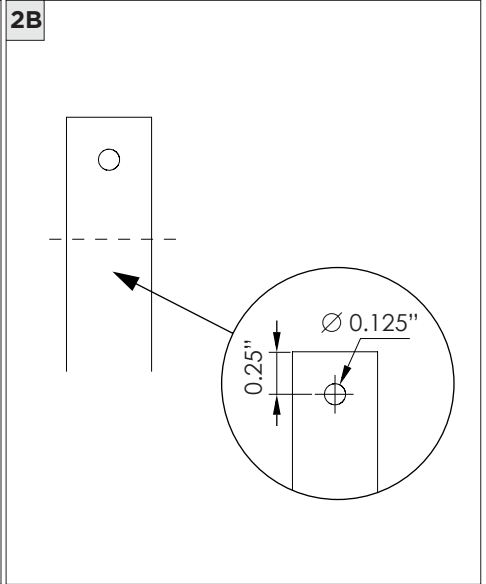
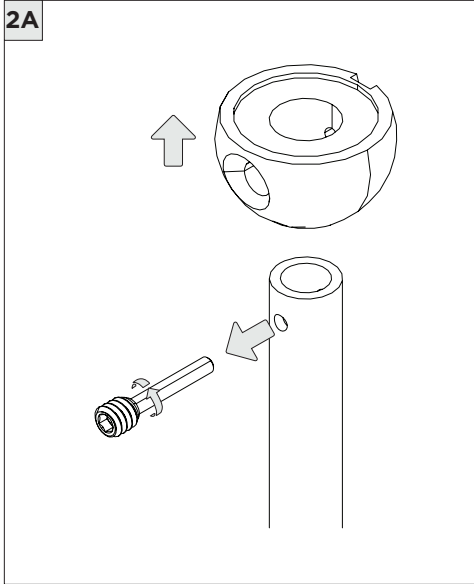
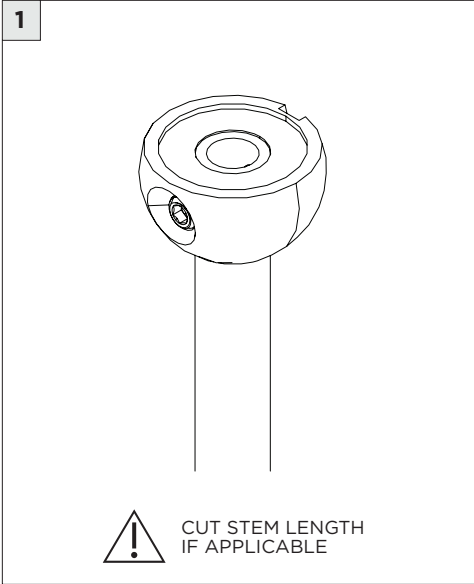




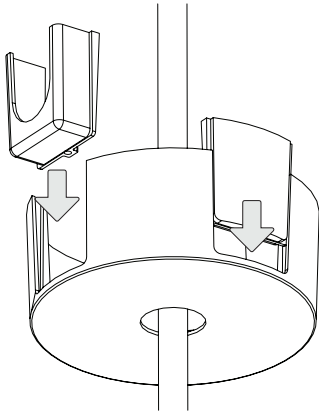
6B



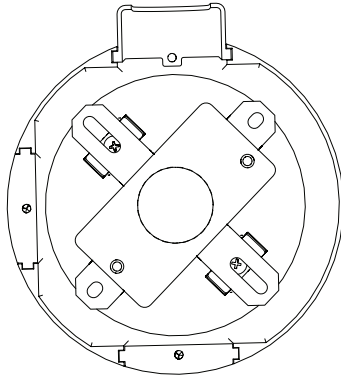
CANOPY IS SUITABLE FOR
MAXIMUM 3 CONDUIT FEEDS



7



8



ENSURE CANOPY CLIPS ALIGN WITH BRACKET

9

