

3G LIGHTING

3G-DL40SA

4.0" SQUARE ADJUSTABLE
DOWNLIGHT

4.0" square, adjustable high performance downlight
 JA8 certified with max 1500lm output
 Proprietary hot aiming mechanism with sliding center beam optimization
 0° - 40° lockable tilt and 362° lockable rotation
 Regressed LED source for enhanced glare control
 Lumen range up to 3000lm (80+, 90+, and 97+ CRI options)
 Remodel housing available along with other housing options
 1% dimming standard with several integral driver options



PROJECT:		TYPE:	
CATALOG#:		DATE:	QTY:

CAT. NO	LUMEN OUTPUT	CRI	COLOR TEMP	BEAM ANGLE	VOLTAGE
3G-DL40SA	10 - 1000 LUMENS	S80 - 80+ CRI ¹	27K - 2700K	20D - 20° ²	UNV - 120/277V
	15 - 1500 LUMENS *	H90 - 90+ CRI	30K - 3000K	40D - 40°	120 - 120V
	22 - 2200 LUMENS	H97 - 97+ CRI ¹	35K - 3500K	60D - 60°	347 - 347V ³
	30 - 3000 LUMENS		40K - 4000K		
	*JA8 (Title 24) max lumen output is 1500lm.				

DRIVER	FLANGE TYPE	BEVELED INSERT	HOUSING TYPE
DIM - 0-10V (100-1%) LE - PHASE DIM ⁴ <small>(TRIAC/ELV, 100-1%)</small> DO1 - 0-10V (100-0.1%) DALI - DALI (100-1%) ⁵ DHL2 - LUTRON HI-LUME <small>(1% ECOSYSTEM)</small> DMX - DMX (100-0%)	WT - WHITE TRIM BT - BLACK TRIM ST - SILVER TRIM XTR - TRIMLESS (MUD-IN DRYWALL) <small>(SUPPLIED WITH LENS)</small> MWF - FLANGELESS MILLWORK ⁶ <small>(SUPPLIED WITH LENS)</small>	WI - WHITE BI - BLACK SI - SILVER	RMD - REMODEL (NON-IC) NCF - NEW CONSTRUCTION <small>FRAME (NON-IC)</small> NC - NEW CONSTRUCTION <small>HOUSING (CP RATED)</small> IC - NEW CONSTRUCTION <small>IC HOUSING ⁷</small>

OPTIONS
LS - LINEAR SPREAD LENS SB - SANDBLASTED LENS SF - SOFTENING LENS (SUPPLIED STANDARD) WL - WET LOCATION ⁸ CP - CHICAGO PLENUM ⁹ BH - C-CHANNEL BAR HANGERS EMR - EMERGENCY BATTERY (REMOTE) ¹⁰
Maximum 1 optical accessory

¹ S80 not available in 27K. H97 available in 30K and 35K as standard

² 20D reflector available up to 2200lm

³ 347 available in "DIM" 0-10V only (100-1%)

⁴ Phase dimming options available in 120V only

⁵ DALI-2 (Type 6) provided as standard. Please consult factory for DALI (Type 8) options

⁶ MWF not available with Remodel (NON-IC)

⁷ New Construction IC housing available up to 2200lm

⁸ Wet location option provided standard with sealed softening lens. Not available with trimless option

⁹ Chicago Plenum option available with New Construction Housing

¹⁰ Emergency battery installed remotely by others. Not accessible through the inside of the fixture

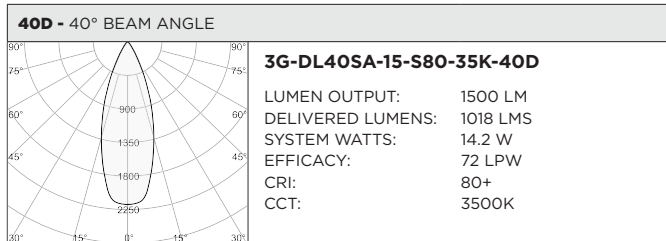
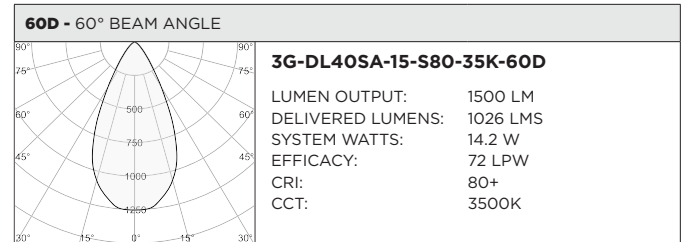
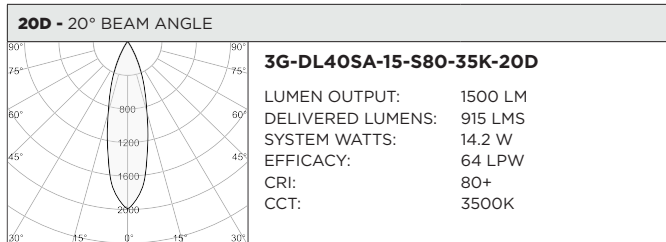


JA8 (Title 24) Listing available with 1500lm maximum
 Available in 90CRI only
 Driver options include "DIM" (0-10V) and "LE" (Phase dimming)

BASED ON 60° BEAM ANGLE AND 3500K SOURCE WITH SOFTENING LENS

LUMEN OUTPUT	80+ CRI			90+ CRI			97+ CRI		
	DELIVERED LUMENS	SYSTEM WATTS	EFFICACY (LPW)	DELIVERED LUMENS	SYSTEM WATTS	EFFICACY (LPW)	DELIVERED LUMENS	SYSTEM WATTS	EFFICACY (LPW)
1000LMs	761	10.4	73	670	10.4	64	624	10.4	60
1500LMs	1026	14.2	72	903	14.2	64	842	14.2	59
2200LMs	1511	22.5	67	1330	22.5	59	1239	22.5	55
3000LMs	1966	32.1	61	1730	32.1	54	1612	32.1	50

LUMEN OUTPUT MULTIPLIER: 27K=0.94, 30K=0.97, 35K=1.00, 40K=1.01



HOUSING

Remodel, new construction frame, and IC housing options available
Maximum ceiling thickness of 1.5". Consult factory for modifications
All housing options designed to be easily converted in field to trim or trimless with minimal components
Housing rated for #12 AWG (4 in, 4 out), 90°C conductors and through branch wiring

BEVELED INSERT

Cast aluminum beveled insert with matte powder coated finish
4.0" aperture with regressed LED source for enhanced glare control

TRIM

Cast aluminum trim flange with matte powder coated finish and minimal 0.375" overlap

TRIMLESS

Cast aluminum mudding flange features a grooved surface for easy mud-in application
Integral blocking support provided to ensure fixture is properly secured within ceiling structure

ADJUSTABILITY

Proprietary hot aiming mechanism with sliding center beam optimization
0°- 40° lockable tilt and 362° lockable rotation with Phillips screwdriver

OPTICS

Regressed LED source for enhanced glare control
Proprietary anodized, aluminum reflectors are field replaceable (20° reflector not interchangeable)
Available in 20°, 40°, 60°
All models provided standard with softening lens

LISTING

ETL listed and conforms to UL1598 standard. Certified to CSA22.2 No.250.0.
JA8 certified
Rated for indoor dry or damp locations

WARRANTY

5 Year Warranty on LED and drivers
Manufacturer 1 Year Warranty for defects in material and workmanship under normal use
Ambient temperature at fixture should not exceed 25°C

ELECTRICAL

Standard 0-10V, constant current drivers with 100-1% dimming range and >0.9 power factor
Standard 120/277V universal voltage drivers. Optional 347V, 0-10V drivers
120V Forward Phase/Reverse Phase driver option with 100-1% dimming range
eldoLED 0-10V driver option available with 100-0.01% dimming range
eldoLED DALI and Lutron EcoSystem driver options available with 100-1% dimming range
DMX driver option available with 100-0% dimming range
All drivers are integral and easily accessible through fixture aperture

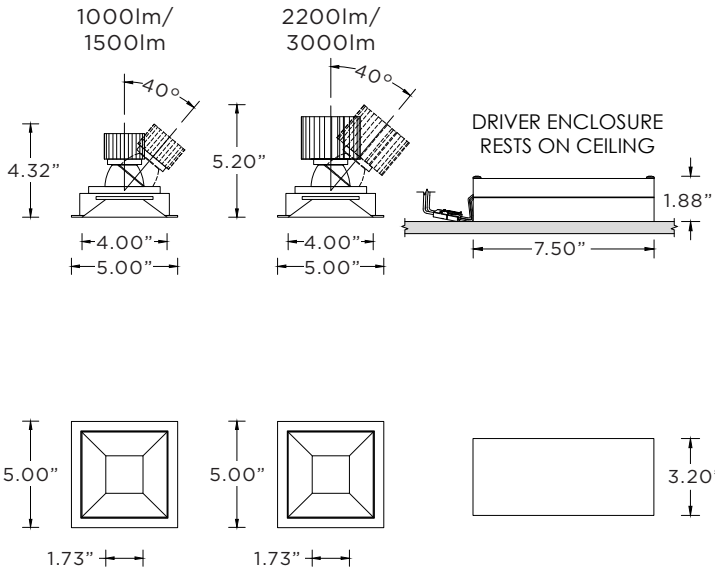
LED SYSTEM

<2 SDCM LED module (field replaceable)
Standard (80+ CRI). Optional (90+ and 97+ CRI)
Available in 27K, 30K, 35K, and 40K
L90 >50,000 hours
5 Year Warranty

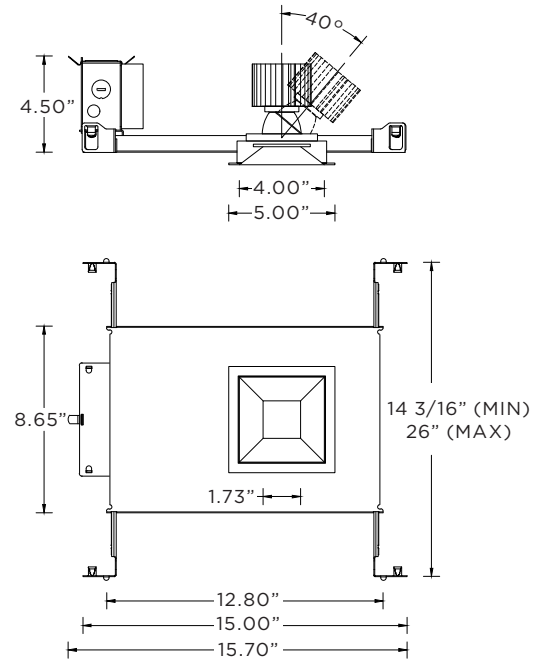
MOUNTING

Trim fixture designed for use in drywall, wood, acoustic, and other architectural ceilings
Trimless fixture designed for use in drywall, mud-in ceiling applications
Recommended ceiling cut-outs. Trim version (4 11/16" x 4 11/16").
Trimless version (5 1/16" x 5 1/16")
New construction frame ships with bar hangers (14" to 26" extension)
Standard new construction and IC housings available with optional c-channel bar hangers

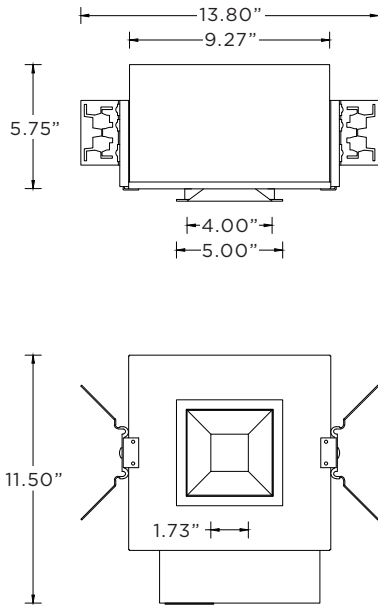
RMD - REMODEL (NON-IC)



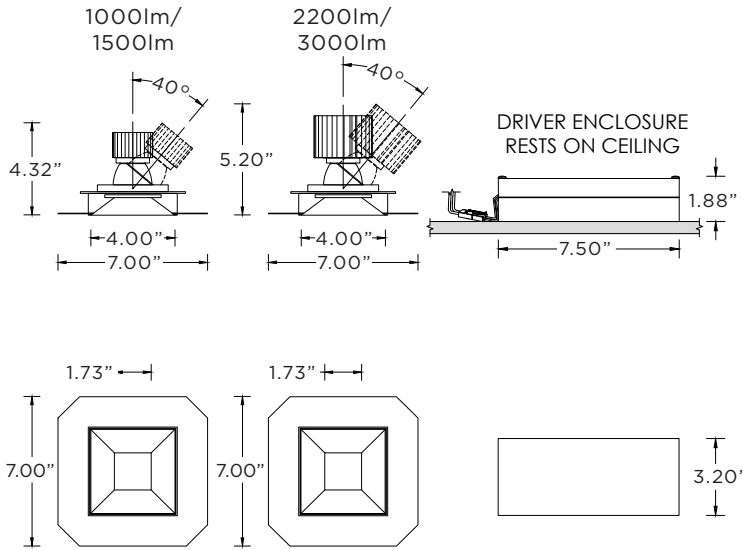
NCF - NEW CONSTRUCTION FRAME (NON-IC)



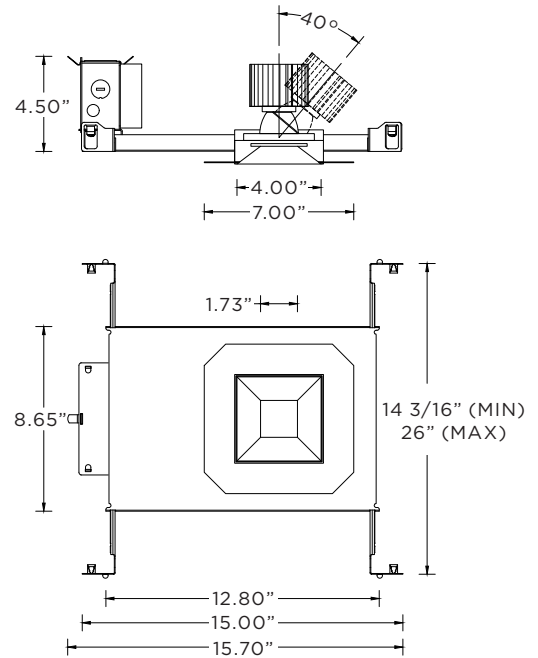
NC - NEW CONSTRUCTION HOUSING (NON-IC AND CP RATED)
IC - NEW CONSTRUCTION IC HOUSING (2200LM MAX)



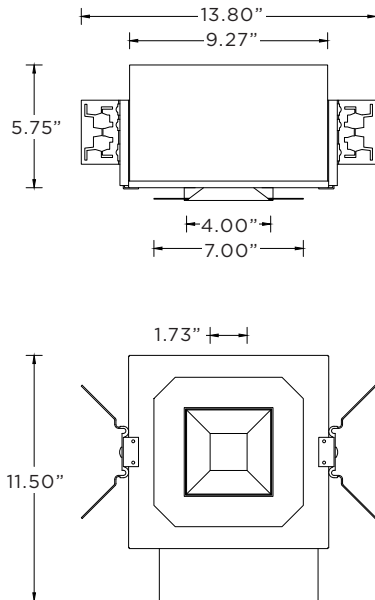
RMD - REMODEL (NON-IC)



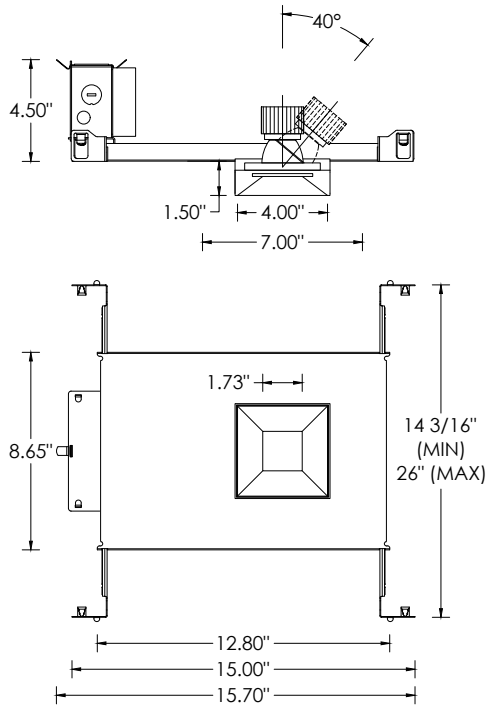
NCF - NEW CONSTRUCTION FRAME (NON-IC)



NC - NEW CONSTRUCTION HOUSING (NON-IC AND CP RATED)
IC - NEW CONSTRUCTION IC HOUSING (2200LM MAX)



NCF - NEW CONSTRUCTION FRAME (NON-IC)



NC - NEW CONSTRUCTION HOUSING (NON-IC AND CP RATED)
IC - NEW CONSTRUCTION IC HOUSING (2200LM MAX)

