



3GQ-DL45RF

4.5" ROUND FIXED
DOWNLIGHT



4.5" high performance fixed downlight
 Regressed LED source for enhanced glare control
 Lumen range up to 3000lm
 2 SDCM, Citizen LED source available in 30K and 35K (80+ CRI)
 Universal voltage, 0-10V driver with 100-1% dimming range
 Shallow housing available along with other housing options

10 DAY QUICKSHIP
 MAX ORDER SIZE: 50 pcs

PROJECT:		TYPE:	
CATALOG#:		DATE:	QTY:

CAT. NO	LUMEN OUTPUT	CRI	COLOR TEMP	BEAM ANGLE	VOLTAGE
3GQ-DL45RF	10 - 1000 LUMENS 15 - 1500 LUMENS 22 - 2200 LUMENS 30 - 3000 LUMENS	S80 - 80+ CRI	30K - 3000K 35K - 3500K	20D - 20° 40D - 40° 60D - 60°	UNV - 120/277

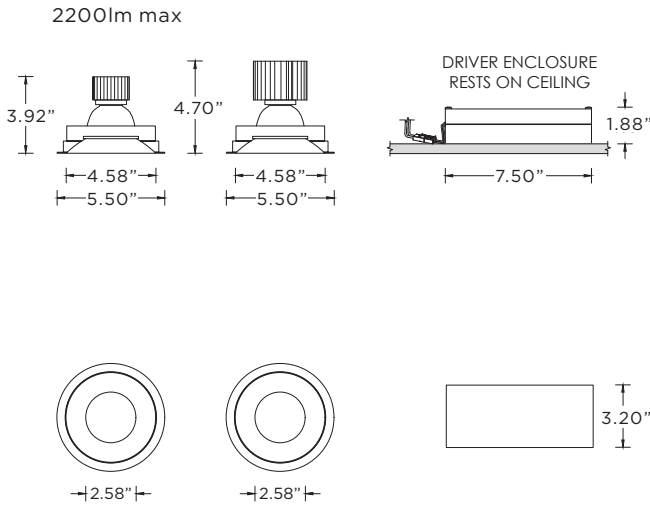
DRIVER	FLANGE TYPE	BEVELED INSERT	HOUSING TYPE	OPTIONS
DIM - 0-10V (100-1%)	WT - WHITE TRIM XTR - TRIMLESS (MUD-IN DRYWALL)	WI - WHITE	RMD - REMODEL (NON-IC) NCF - NEW CONSTRUCTION FRAME (NON-IC) SH - SHALLOW HOUSING ¹ (IC RATED & CP RATED) NC - NEW CONSTRUCTION HOUSING (NON-IC) IC - NEW CONSTRUCTION ¹ IC HOUSING	BH - C-CHANNEL BAR HANGERS CP - CHICAGO PLENUM ² SF - SOFTENING LENS

¹ IC rated Shallow Housing and New Construction IC housing available up to 2200lm
² Chicago Plenum option available with Shallow Housing and New Construction Housing

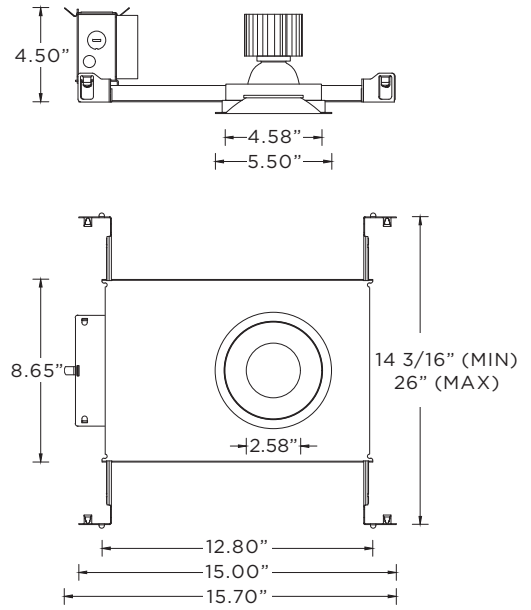
Refer to standard specification sheets for complete details. Please note that only options shown above qualify for 10 day 3GQ program



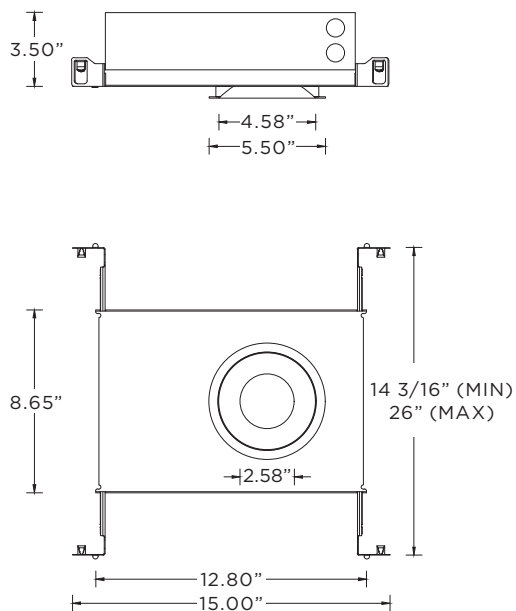
RMD - REMODEL (NON-IC)



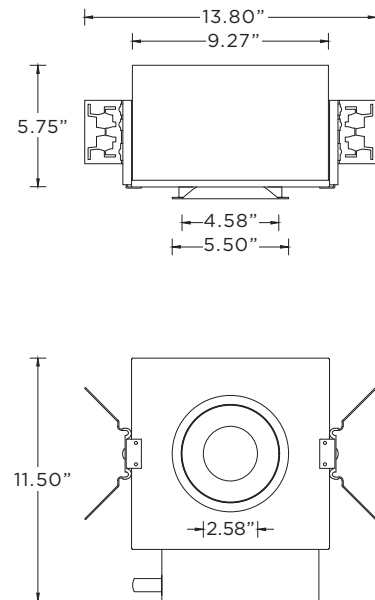
NCF - NEW CONSTRUCTION FRAME (NON-IC)



SH - SHALLOW HOUSING (IC AND CHICAGO PLENUM RATED) (2200LM MAX)

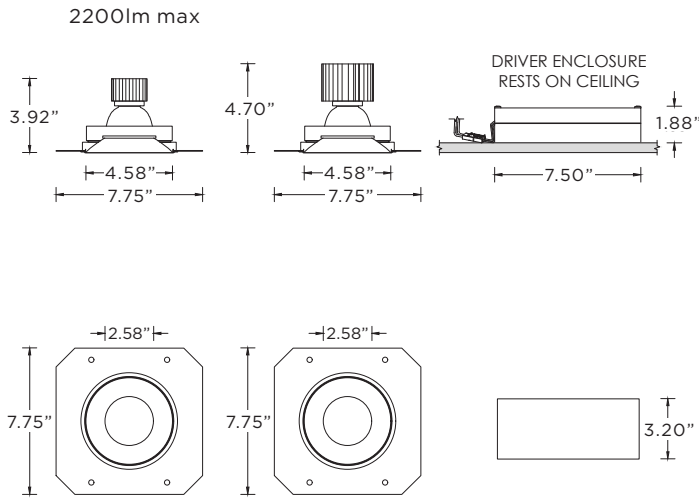


NC - NEW CONSTRUCTION HOUSING (NON-IC AND CP RATED) IC - NEW CONSTRUCTION IC HOUSING (2200LM MAX)

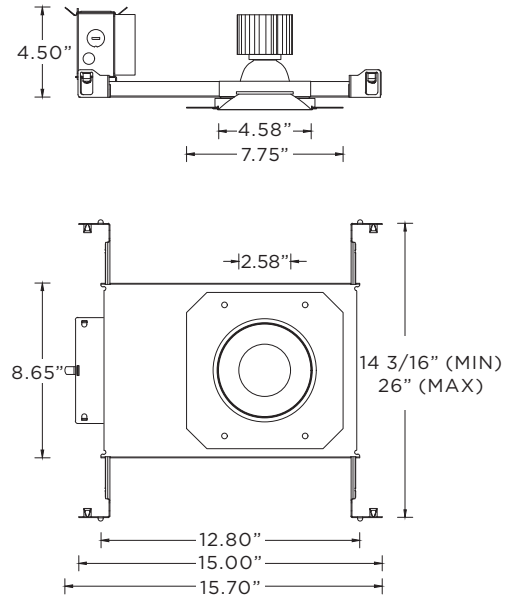




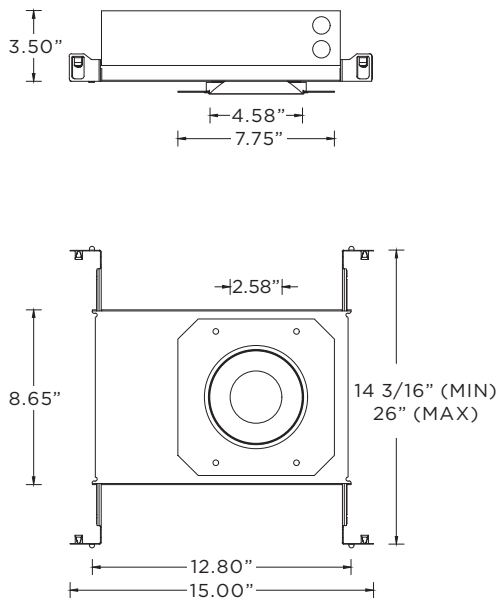
RMD - REMODEL (NON-IC)



NCF - NEW CONSTRUCTION FRAME (NON-IC)



SH - SHALLOW HOUSING (IC AND CHICAGO PLENUM RATED) (2200LM MAX)



**NC - NEW CONSTRUCTION HOUSING (NON-IC AND CP RATED)
IC - NEW CONSTRUCTION IC HOUSING (2200LM MAX)**

