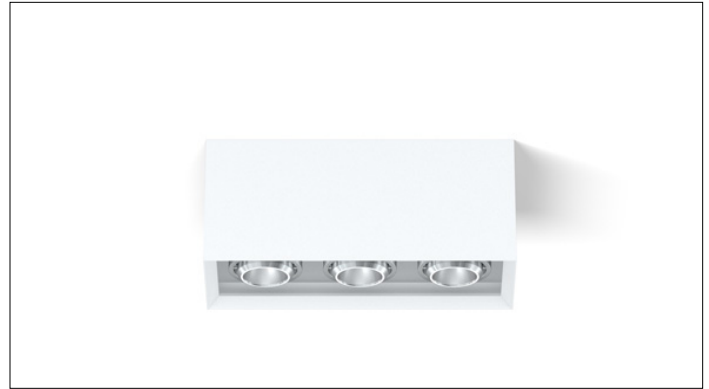


3G LIGHTING

3G-SM3M5

3 LIGHT MINI MADISON
SURFACE MOUNTED



Extruded aluminum housing with fabricated mitered corners
Housing design features a beveled edge with no visible hardware
50mm machined aluminum double gimbal. Adjustable and lockable
Lumen range up to 2200lm (80+, 90+, and 97+ CRI options)
1% dimming standard with integral drivers

PROJECT:		TYPE:	
CATALOG#:		DATE:	QTY:

CAT. NO	LUMEN OUTPUT	CRI	COLOR TEMP	BEAM ANGLE	VOLTAGE
3G-SM3M5	10 - 1000 LUMENS 15 - 1500 LUMENS 22 - 2200 LUMENS	S80 - 80+ CRI ¹ H90 - 90+ CRI H97 - 97+ CRI ¹	27K - 2700K 30K - 3000K 35K - 3500K 40K - 4000K	20D - 20° 40D - 40° 60D - 60° 90D - 90° *	UNV - 120/277V 120 - 120V

*90D reflector supplied standard with lens

DRIVER	GIMBAL FINISH	HOUSING	OPTIONS
DIM - 0-10V (100-1%) LE - PHASE DIM ² (TRIAC/ELV, 100-1%)	NG - NATURAL ALUMINUM BG - BLACK GIMBAL WG - WHITE GIMBAL	WH - WHITE BK - BLACK SV - SILVER CF - CUSTOM	2C - 2 CIRCUIT CDF - CONDUIT FEED HXB - BLACK HEXCELL LOUVER LS - LINEAR SPREAD LENS SB - SANDBLASTED LENS SF - SOFTENING LENS STB - BLACK SNOOT STN - NATURAL SNOOT STW - WHITE SNOOT

Housing interior & exterior will be powder coated the same color

Maximum 2 optical accessories.
See optical accessories page for more options

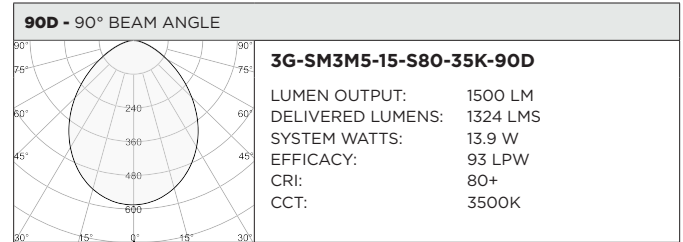
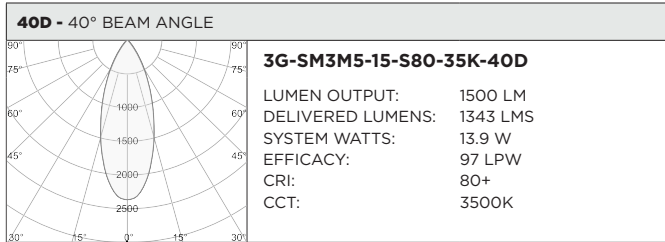
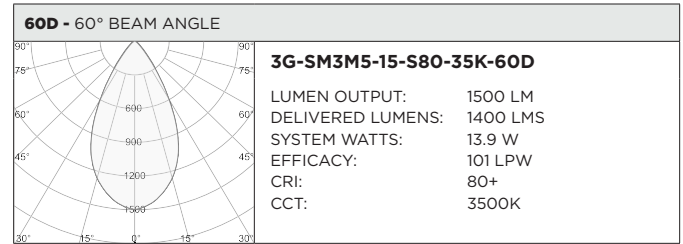
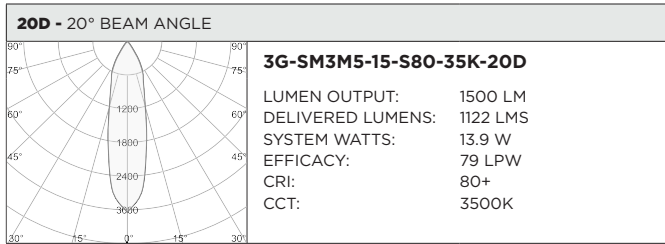
¹ S80 not available in 27K. H97 available in 30K and 35K as standard

² Forward Phase/Reverse Phase driver available in 120V only

BASED ON 60° BEAM ANGLE AND 3500K SOURCE (PER FIXTURE HEAD)

LUMEN OUTPUT	80+ CRI			90+ CRI			97+ CRI		
	DELIVERED LUMENS	SYSTEM WATTS	EFFICACY (LPW)	DELIVERED LUMENS	SYSTEM WATTS	EFFICACY (LPW)	DELIVERED LUMENS	SYSTEM WATTS	EFFICACY (LPW)
1000LMs	1015	10.2	100	893	10.2	88	833	10.0	82
1500LMs	1400	13.9	101	1232	13.9	89	1148	13.9	83
2200LMs	2194	22.0	100	1931	22.0	88	1799	22.0	82

LUMEN OUTPUT MULTIPLIER: 27K=0.94, 30K=0.97, 35K=1.00, 40K=1.01



HOUSING

Extruded aluminum housing with fabricated mitered corners
 Housing design features a beveled edge with no visible hardware
 Integral driver compartment fabricated in cold rolled steel
 Standard polyester powder coated interior and exterior available in matte white, matte black, and matte silver

ADJUSTABILITY

Solid aluminum, 50mm machined double gimbals with dual axis adjustability (35°x35°)
 Each double gimbal can be locked into place

OPTICS

Regressed LED source for enhanced glare control
 Proprietary anodized, aluminum reflectors are field replaceable (20° reflector not interchangeable)
 Available in 20°, 40°, 60°, and 90°
 Fixture head designed to accept 2 optical accessories

LISTING

ETL listed and conforms to UL1598 standard. Certified to CSA22.2 No.250.0.
 Rated for indoor dry or damp locations

WARRANTY

5 Year Warranty on LED and drivers
 Manufacturer 1 Year Warranty for defects in material and workmanship under normal use
 Ambient temperature at fixture should not exceed 25°C

ELECTRICAL

Standard 0-10V, constant current drivers with 100-1% dimming range and >0.9 power factor
 Standard 120/277V universal voltage drivers
 120V Forward Phase/Reverse Phase driver option with 100-1% dimming range
 All drivers are integral and easily accessible through the top of the fixture housing

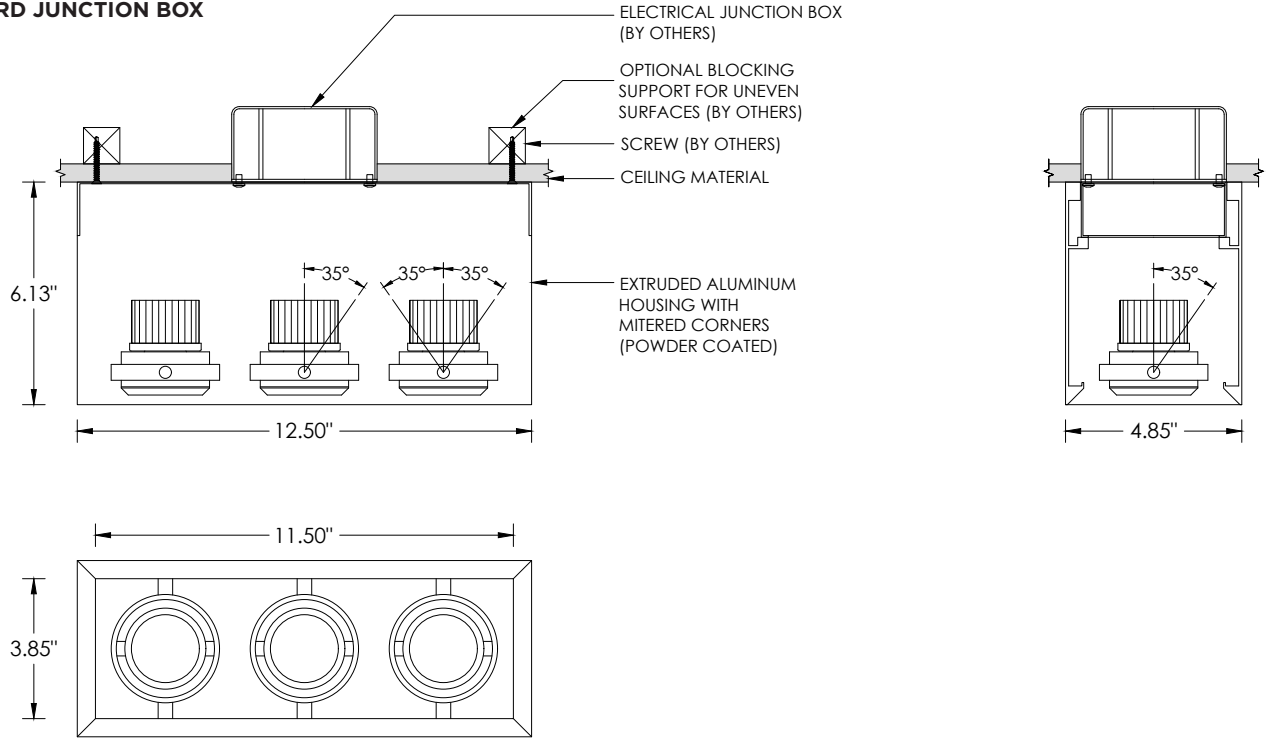
LED SYSTEM

Citizen LED module (field replaceable)
 Color consistency <2 SDCM
 Standard (80+ CRI). Optional (90+ and 97+ CRI)
 Available in 27K, 30K, 35K, and 40K
 L90 >50,000 hours
 5 Year Warranty

MOUNTING

Suitable for surface mounted applications
 Suitable for drywall, concrete, wood, grid ceiling, and other architectural ceilings
 Fixture mounts to a standard junction box
 Optional conduit feed available

STANDARD JUNCTION BOX



CONDUIT FEED OPTION

