

# 3G LIGHTING

## 3G-DL33SA

3.3" SQUARE ADJUSTABLE  
DOWNLIGHT

Small 3.3" square, adjustable high performance downlight  
JA8 certified with max 1500lm output  
Proprietary hot aiming mechanism with sliding center beam optimization  
0° - 40° lockable tilt and 362° lockable rotation  
Regressed LED source for enhanced glare control  
Lumen range up to 3000lm (80+, 90+, and 97+ CRI options)  
Shallow housing available along with remodel and other housing options  
1% dimming standard with several integral driver options



<b>PROJECT:</b>		<b>TYPE:</b>	
<b>CATALOG#:</b>		<b>DATE:</b>	<b>QTY:</b>

CAT. NO	LUMEN OUTPUT	CRI	COLOR TEMP	BEAM ANGLE	VOLTAGE
<b>3G-DL33SA</b>	<b>10</b> - 1000 LUMENS <b>15</b> - 1500 LUMENS * <b>22</b> - 2200 LUMENS <b>30</b> - 3000 LUMENS  <small>*JA8 (Title 24) max lumen output is 1500lm.</small>	<b>S80</b> - 80+ CRI <sup>1</sup> <b>H90</b> - 90+ CRI <b>H97</b> - 97+ CRI <sup>1</sup>	<b>27K</b> - 2700K <b>30K</b> - 3000K <b>35K</b> - 3500K <b>40K</b> - 4000K	<b>20D</b> - 20° <sup>2</sup> <b>40D</b> - 40° <b>60D</b> - 60°	<b>UNV</b> - 120/277V <b>120</b> - 120V <b>347</b> - 347V <sup>3</sup>

DRIVER	FLANGE TYPE	BEVELED INSERT	HOUSING TYPE
<b>DIM</b> - 0-10V (100-1%) <b>LE</b> - PHASE DIM <sup>4</sup> <small>(TRIAC/ELV, 100-1%)</small> <b>DO1</b> - 0-10V (100-0.1%) <sup>5</sup> <b>DALI</b> - DALI (100-1%) <sup>5</sup> <b>DHL2</b> - LUTRON HI-LUME <small>(1% ECOSYSTEM)</small> <b>DMX</b> - DMX (100-0%) <sup>5</sup>	<b>WT</b> - WHITE TRIM <b>BT</b> - BLACK TRIM <b>ST</b> - SILVER TRIM <b>XTR</b> - TRIMLESS (MUD-IN DRYWALL) <b>MWF</b> - FLANGELESS MILLWORK <sup>6</sup>	<b>WI</b> - WHITE <b>BI</b> - BLACK <b>SI</b> - SILVER	<b>RMD</b> - REMODEL (NON-IC) <b>NCF</b> - NEW CONSTRUCTION FRAME (NON-IC) <b>SH</b> - SHALLOW HOUSING <sup>7</sup> <small>(IC RATED &amp; CP RATED)</small> <b>NC</b> - NEW CONSTRUCTION HOUSING (CP RATED) <b>IC</b> - NEW CONSTRUCTION IC HOUSING <sup>7</sup>

OPTIONS
<b>LS</b> - LINEAR SPREAD LENS <b>SB</b> - SANDBLASTED LENS <b>SF</b> - SOFTENING LENS (SUPPLIED STANDARD) <b>WL</b> - WET LOCATION <sup>8</sup> <b>CP</b> - CHICAGO PLENUM <sup>9</sup> <b>BH</b> - C-CHANNEL BAR HANGERS <b>EMR</b> - EMERGENCY BATTERY (REMOTE) <sup>10</sup>  <small>Maximum 1 optical accessory</small>

- <sup>1</sup> S80 not available in 27K. H97 available in 30K and 35K as standard
- <sup>2</sup> 20D reflector available up to 2200lm
- <sup>3</sup> 347 available in "DIM" 0-10V only (100-1%)
- <sup>4</sup> Phase dimming options available in 120V only
- <sup>5</sup> DO1, DALI and DMX available up to 2200lm. DALI-2 (Type 6) provided as standard. Please consult factory for DALI (Type 8) options
- <sup>6</sup> MWF not available with Remodel (NON-IC)
- <sup>7</sup> IC rated Shallow Housing available up to 1500lm. New Construction IC housing available up to 2200lm
- <sup>8</sup> Wet location option provided standard with sealed softening lens
- <sup>9</sup> Chicago Plenum option available with Shallow Housing (1500lm max) and New Construction Housing
- <sup>10</sup> Emergency battery installed remotely by others. Not accessible through the inside of the fixture

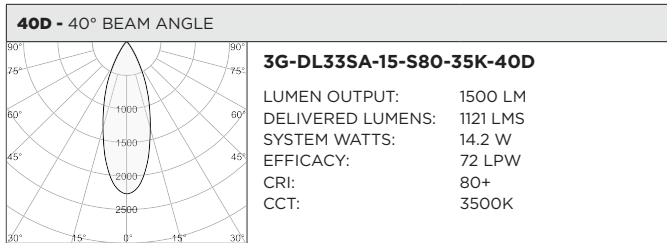
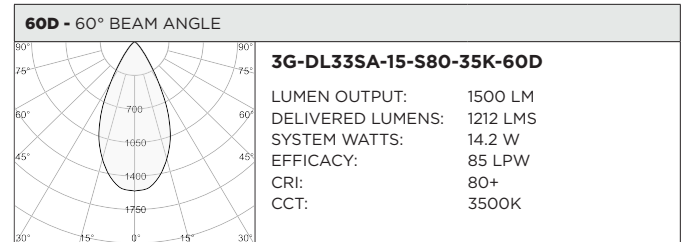
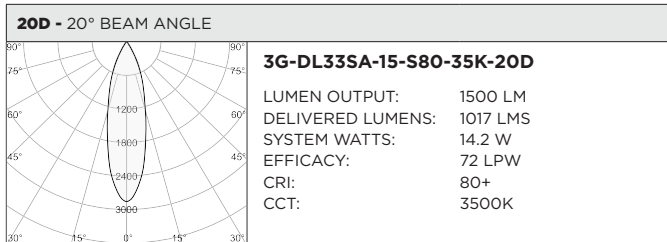


JA8 (Title 24) Listing available with 1500lm maximum  
Available in 90CRI only  
Driver options include "DIM" (0-10V) and "LE" (Phase dimming)

BASED ON 60° BEAM ANGLE AND 3500K SOURCE WITH SOFTENING LENS

LUMEN OUTPUT	80+ CRI			90+ CRI			97+ CRI		
	DELIVERED LUMENS	SYSTEM WATTS	EFFICACY (LPW)	DELIVERED LUMENS	SYSTEM WATTS	EFFICACY (LPW)	DELIVERED LUMENS	SYSTEM WATTS	EFFICACY (LPW)
<b>1000LMs</b>	899	10.4	86	791	10.4	76	737	10.4	71
<b>1500LMs</b>	1212	14.2	85	1067	14.2	75	994	14.2	70
<b>2200LMs</b>	1790	22.5	80	1575	22.5	70	1467	22.5	65
<b>3000LMs</b>	2111	31.8	66	1858	31.8	58	1731	31.8	54

LUMEN OUTPUT MULTIPLIER: 27K=0.94, 30K=0.97, 35K=1.00, 40K=1.01



**HOUSING**

Remodel, new construction frame, shallow housing, and IC housing options available

Maximum ceiling thickness of 1.5". Consult factory for modifications

All housing options (except millwork) designed to be easily converted in field to trim or trimless with minimal components

Housing rated for #12 AWG (4 in, 4 out), 90°C conductors and through branch wiring

**BEVELED INSERT**

Cast aluminum beveled insert with matte powder coated finish  
3.3" aperture with regressed LED source for enhanced glare control

**TRIM**

Cast aluminum trim flange with matte powder coated finish and minimal 0.375" overlap

**TRIMLESS**

Cast aluminum mudding flange features a grooved surface for easy mud-in application  
Integral blocking support provided to ensure fixture is properly secured within ceiling structure

**ADJUSTABILITY**

Proprietary hot aiming mechanism with sliding center beam optimization  
0°- 40° lockable tilt and 362° lockable rotation with Phillips screwdriver

**OPTICS**

Regressed LED source for enhanced glare control  
Proprietary anodized, aluminum reflectors are field replaceable (20° reflector not interchangeable)  
Available in 20°, 40°, 60°  
All models provided standard with softening lens

**LISTING**

ETL listed and conforms to UL1598 standard. Certified to CSA22.2 No.250.0.  
JA8 certified  
Rated for indoor dry or damp locations

**WARRANTY**

5 Year Warranty on LED and drivers  
Manufacturer 1 Year Warranty for defects in material and workmanship under normal use  
Ambient temperature at fixture should not exceed 25°C

**ELECTRICAL**

Standard 0-10V, constant current drivers with 100-1% dimming range and >0.9 power factor

Standard 120/277V universal voltage drivers. Optional 347V, 0-10V drivers  
120V Forward Phase/Reverse Phase driver option with 100-1% dimming range  
eldoLED 0-10V driver option available with 100-0.01% dimming range  
eldoLED DALI and Lutron EcoSystem driver options available with 100-1% dimming range

DMX driver option available with 100-0% dimming range

All drivers are integral and easily accessible through fixture aperture

**LED SYSTEM**

<2 SDCM LED module (field replaceable)

Standard (80+ CRI). Optional (90+ and 97+ CRI)

Available in 27K, 30K, 35K, and 40K

L90 >50,000 hours

5 Year Warranty

**MOUNTING**

Trim fixture designed for use in drywall, wood, acoustic, and other architectural ceilings

Trimless fixture designed for use in drywall, mud-in ceiling applications

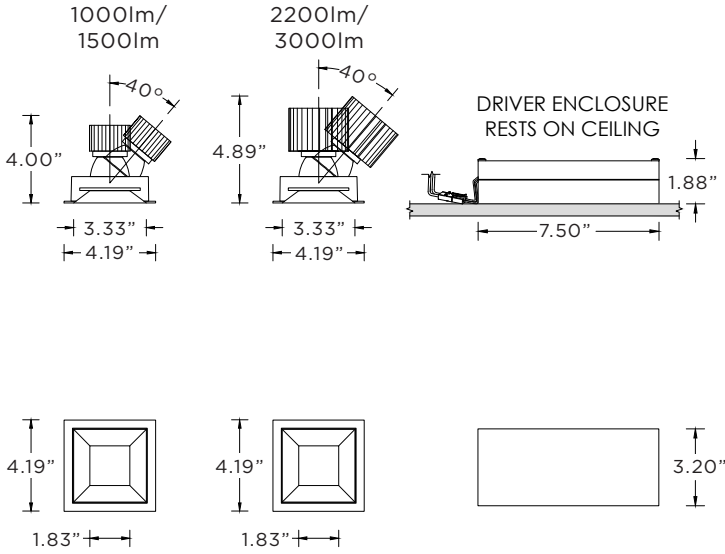
Recommended ceiling cut-out for Millwork Flangeless option (3.625" x 3.625" for ceilings up to 1"). Contact 3G for thicker ceilings

Recommended ceiling cut-out for all housing options (3 15/16" x 3 15/16")

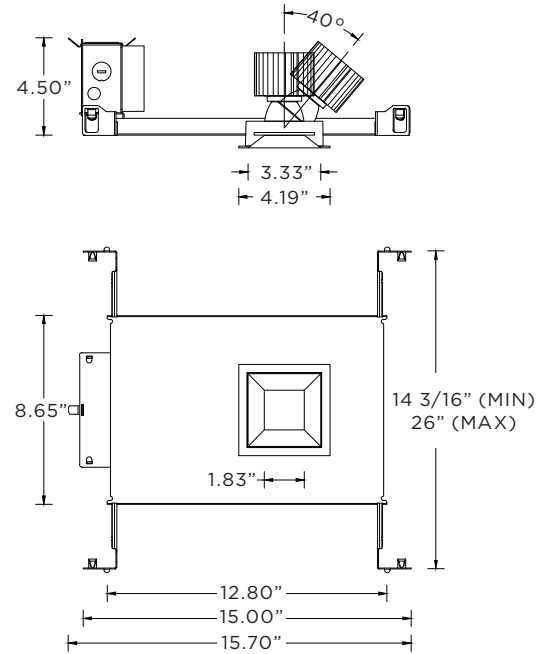
New construction frame and IC rated shallow housings ship with bar hangers (14" to 26" extension)

Standard new construction and IC housings available with optional c-channel bar hangers

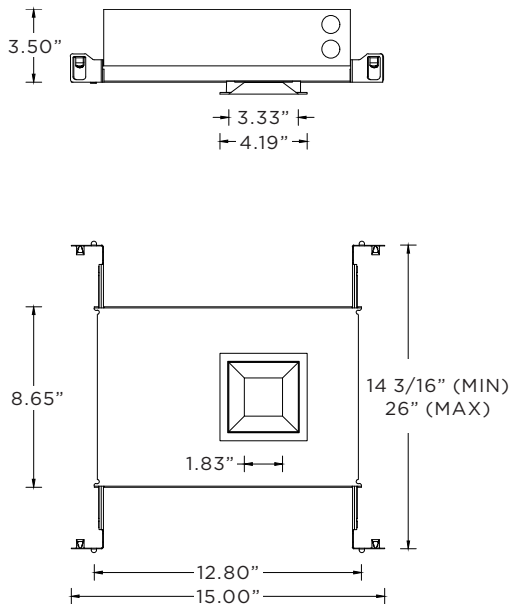
**RMD - REMODEL (NON-IC)**



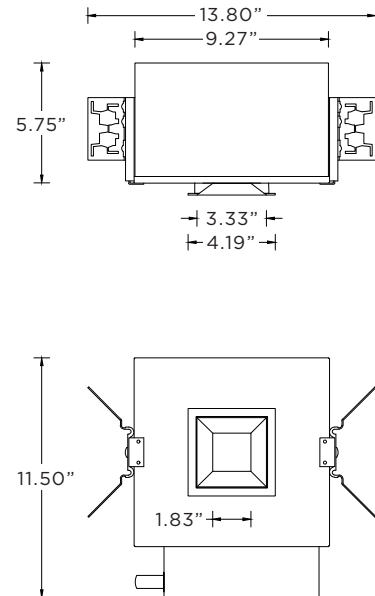
**NCF - NEW CONSTRUCTION FRAME (NON-IC)**



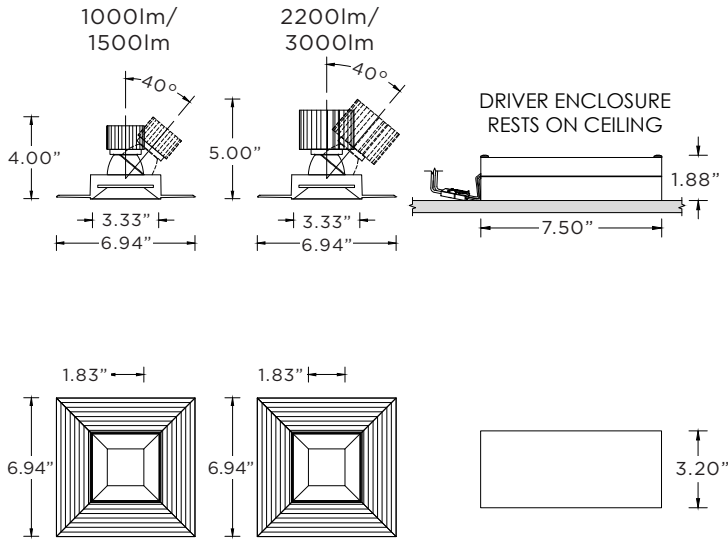
**SH - SHALLOW HOUSING (IC AND CHICAGO PLENUM RATED)  
(2200LM MAX)**



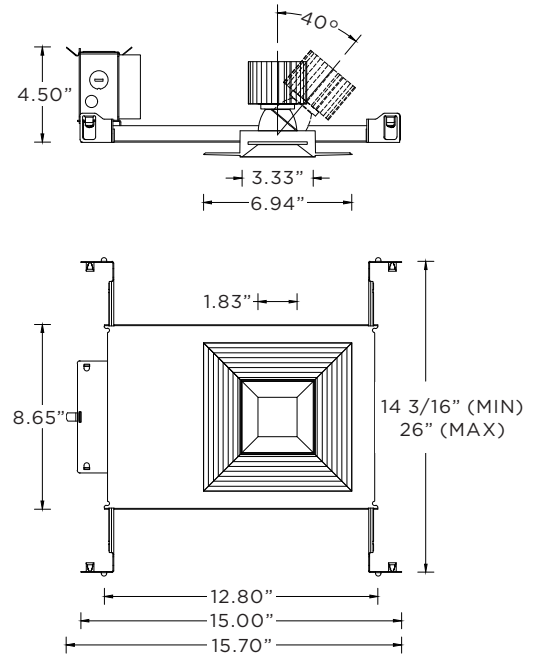
**NC - NEW CONSTRUCTION HOUSING (NON-IC AND CP RATED)  
IC - NEW CONSTRUCTION IC HOUSING (2200LM MAX)**



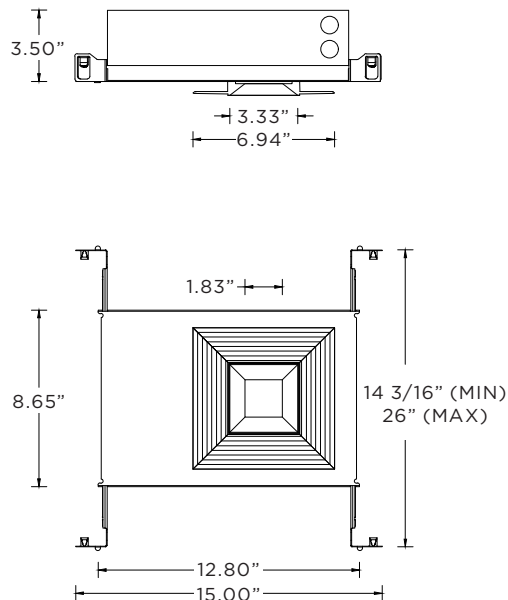
**RMD - REMODEL (NON-IC)**



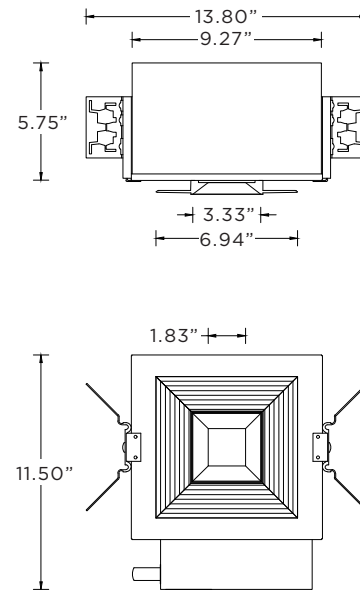
**NCF - NEW CONSTRUCTION FRAME (NON-IC)**



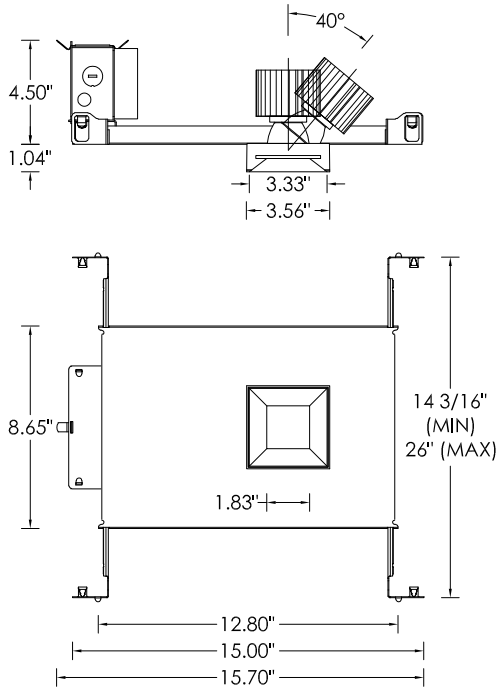
**SH - SHALLOW HOUSING (IC AND CHICAGO PLENUM RATED) (2200LM MAX)**



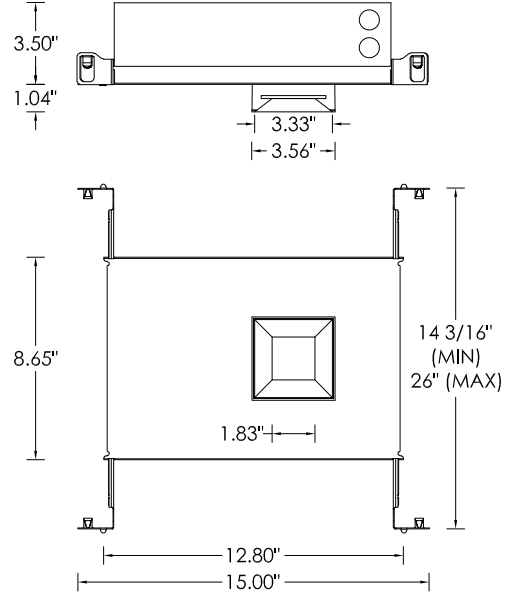
**NC - NEW CONSTRUCTION HOUSING (NON-IC AND CP RATED)  
IC - NEW CONSTRUCTION IC HOUSING (2200LM MAX)**



**NCF - NEW CONSTRUCTION FRAME (NON-IC)**



**SH - SHALLOW HOUSING (IC AND CHICAGO PLENUM RATED) (2200LM MAX)**



**NC - NEW CONSTRUCTION HOUSING (NON-IC AND CP RATED)**  
**IC - NEW CONSTRUCTION IC HOUSING (2200LM MAX)**

