

3G LIGHTING

3G-1PLI-D

1.5" LINEAR PENDANT, DIRECT
TUNABLE WHITE & RGBW

- Narrow 1.5" aperture with one piece extruded aluminum housing
- Individual or continuous runs available in multiple run configurations
- Direct distribution with multiple lumen output options
- LED system with performance up to 103 lumens per watt
- Extruded acrylic lens with optimal performance and glare control
- Asymmetric optics available
- 1% dimming standard with several driver options



ORDERING INFORMATION

PROJECT:	<input type="text"/>	TYPE:	<input type="text"/>
CATALOG #:	<input type="text"/>	DATE:	<input type="text"/>

CAT. NO	LED SOURCE	LUMEN OUTPUT	CRI	VOLTAGE
3G-1PLI-D	TW - TUNABLE WHITE (2700K-6500K)	L250 - LOW OUTPUT (250 LM/FT) ² L500 - MEDIUM OUTPUT (500 LM/FT) L750 - HIGH OUTPUT (750 LM/FT) L1000 - VERY HIGH OUTPUT (1000 LM/FT) ³ LC___ - CUSTOM OUTPUT (SPECIFY LM/FT)*	S80 - 83+ CRI H90 - 93+ CRI ¹	UNV - 120/277V
	RGBW - INFINITE COLOUR ¹ (3500K WHITE)	<p>*Specify custom lumen outputs in 50lm increments (ie: LC600, LC650, LC700) Custom output cannot exceed LC1000 Lumen outputs suitable for white LED source only</p>		

DRIVER	LENS OPTION	FINISH	CABLE LENGTH
DO1 - 0-10V (100-0.1%) DALI - DALI (eidoLED, 100-1%) DMX - DMX (eidoLED, 100-0%) ¹ DHLT - LUTRON T SERIES (100-1%) (2 CHANNEL TUNABLE WHITE)	FL - FLUSH DASY - ASYMMETRIC OPTIC ¹	WH - WHITE (STANDARD) SV - SILVER BK - BLACK All mounting canopies provided in white as standard	60" - 60" (STANDARD) 120" - 120"

OPTIONS	LENGTH (FEET)
EMC - EMERGENCY CIRCUIT ⁴	S - ___' (STRAIGHT RUN)* L - ___'X ___' (L-SHAPE) U - ___'X ___' X ___' (U-SHAPE) R - ___'X ___' (RECTANGLE/SQUARE) T - ___'X ___' (T-SHAPE) X - ___'X ___' (X-SHAPE) CUS - ___ (CUSTOM LAYOUT - PROVIDE DRAWING)
	<p>*Individual units available from 2' to 8' Continuous runs available in 1' increments</p>

¹ RGBW LED source available with S80 (83+CRI) and DMX driver option only. Not available with asymmetric optic or EM options.
² L250 (250LM/FT) not available in 2' and 3' lengths. Specify LC400 for 2' and 3' fixture lengths when outputs lower than 500LM/FT are required
³ L1000 (1000LM/FT) not available for H90 (93+ CRI)
⁴ EMC (emergency circuit) options available for tunable white LED source only. Not available with RGBW

3GT - Tunable White
3GB - RGBW

JANUARY 4, 2024

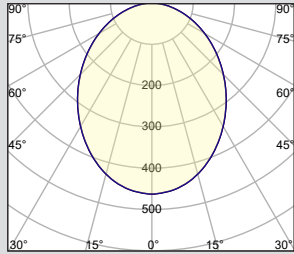
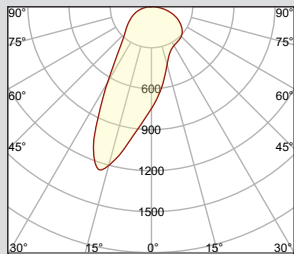


PERFORMANCE CHART BASED ON 4' LENGTH WITH FLUSH LENS (TUNABLE WHITE AND 83+ CRI)

COLOR TEMP	DELIVERED LUMENS (LM/FT)	SYSTEM WATTS (W/FT)	EFFICACY (LPW)
2700K	250	3.0	84
	500	6.1	81
	750	9.4	80
	1000	12.5	79
3500K	250	3.0	90
	500	6.1	88
	750	9.4	85
	1000	12.5	83
6500K	250	3.0	102
	500	6.1	103
	750	9.4	98
	1000	12.5	92

EFFICACY (LPW) ADJUSTMENT FACTOR	CRI	Multiplier
	93+	0.88

PHOTOMETRY BASED ON 4' LENGTH (83+ CRI AND 3500K SOURCE)

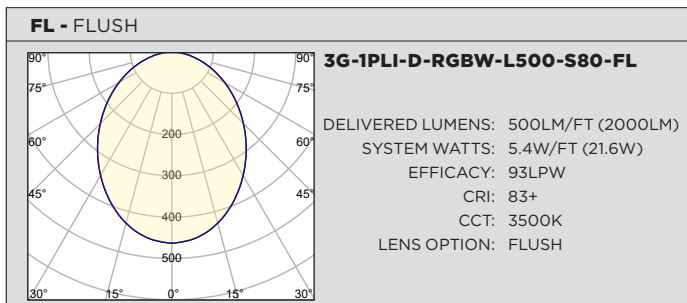
<p>FL - FLUSH</p> 	<p>3G-1PLI-D-TW-L500-S80-FL</p> <p>DELIVERED LUMENS: 500LM/FT (2000LM) SYSTEM WATTS: 6.1W/FT (24.4W) EFFICACY: 88LPW CRI: 83+ CCT: 3500K LENS OPTION: FLUSH</p>
<p>DASY - ASYMMETRIC OPTIC</p> 	<p>3G-1PLI-D-TW-L500-S80-DASY</p> <p>DELIVERED LUMENS: 500LM/FT (2000LM) SYSTEM WATTS: 6.1W/FT (24.4W) EFFICACY: 84LPW CRI: 83+ CCT: 3500K LENS OPTION: ASYMMETRIC</p>

PERFORMANCE CHART BASED ON 4' LENGTH (RGBW WITH 83+ CRI AND 3500K SOURCE)

COLOR TEMP	DELIVERED LUMENS (LM/FT)	SYSTEM WATTS (W/FT)	EFFICACY (LPW)
3500K	250	2.6	95
	500	5.4	93
	750	8.9	85
	1000	13.0	77

LUMINOUS INTENSITY PER LED	RGB	INTENSITY Min - Max (mcd)
	RED	355 - 805
	GREEN	710 - 1400
	BLUE	140 - 355

PHOTOMETRY BASED ON 4' LENGTH (83+ CRI AND 3500K SOURCE)



TECHNICAL**HOUSING**

Extruded aluminum housing with narrow 1.5" aperture
Machined aluminum end caps add 1/4" to each end of luminaire
Individual units and continuous runs available in 1' increments
24-gauge LED reflector with high reflectance white powder coated finish
Standard polyester powder coated matte white finish.
Optional finishes available

OPTICS

Extruded, satin acrylic lens designed for optimal performance and glare control. Up to 8' continuous
High performance asymmetric optics available

ELECTRICAL

Luminaires are pre-wired with factory installed quick connects and branch circuit wiring
Multiple driver options available for tunable white LED system
DMX driver option for RGBW system with RDM control and 100-0% dimming range
All drivers are integral and easily accessible through luminaire aperture

LED SYSTEM FOR TUNABLE WHITE (TW)

Proprietary LED system with color consistency <3 SDCM
2700K-6500K CCT range
Standard 83+CRI. Optional 93+CRI. (R9 value of 56 for 93+CRI)
L90 >60,000 hours
5 Year Warranty

LED SYSTEM FOR RGBW

Proprietary LED system with color consistency <3 SDCM
White LED available in 35K with 83+ CRI
L80 >72,000 hours
Red (335-805 mcd)
Green (710-1400 mcd)
Blue (140-355 mcd)
5 Year Warranty

MOUNTING

Toolless installation with 3G's proprietary mounting system
Internal, toolless joiner system (latch and hook) easily connects multiple sections together
LED reflectors remain within each fixture section during installation with 3G's click and lock spring system
Adjustable aircraft cable suspension with locking fasteners (60" length standard)
Standard, 18-gauge, 5 conductor single circuit power feed (clear braided finish)
All mounting canopies provided in white finish as standard
Suitable for various architectural ceilings (see mounting details)
Fixture weight: +/- 2.5 lb/ft

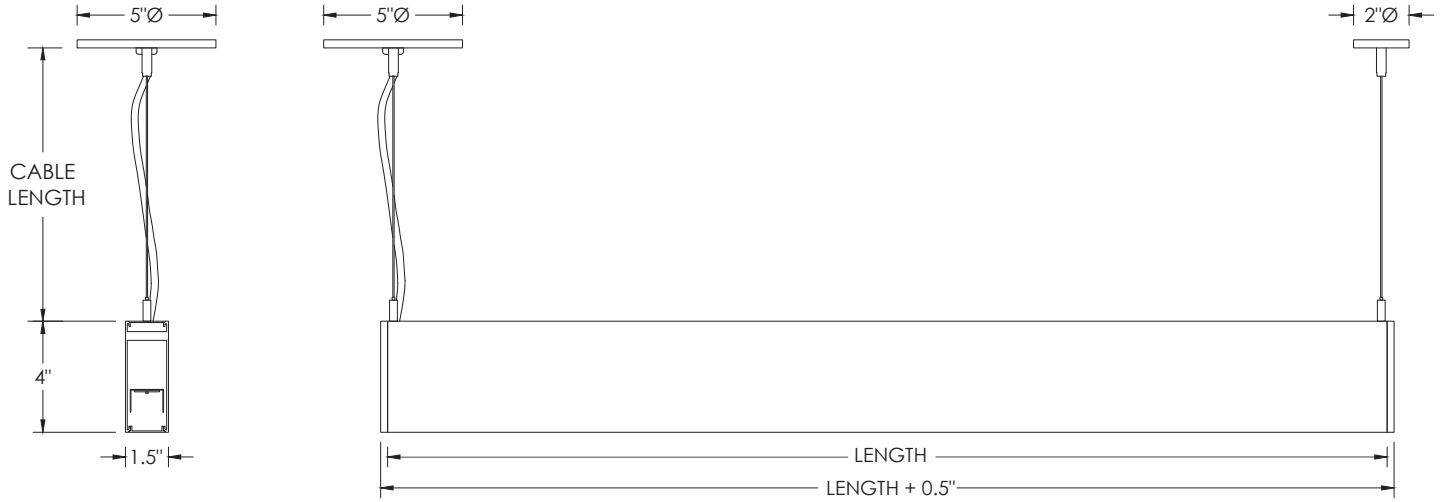
LISTING

ETL listed and tested to cUL standards. Suitable for dry and damp locations

WARRANTY

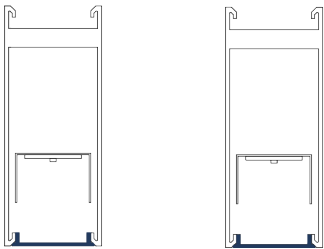
5 Year Warranty on LED and drivers
Manufacturer 1 Year Warranty for defects in material and workmanship under normal use
Ambient temperature at fixture should not exceed 25°C

DRAWINGS AND DIMENSIONS



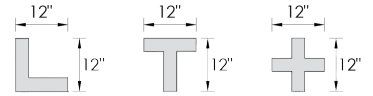
LENS OPTION

FL - FLUSH **ASY - ASYMMETRIC**



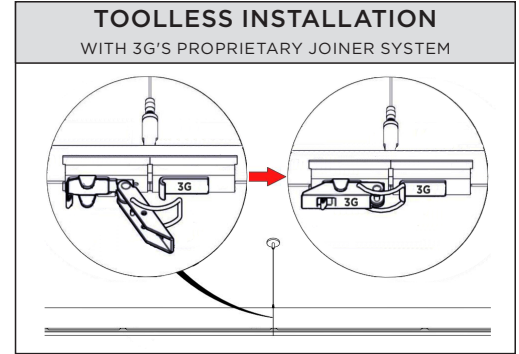
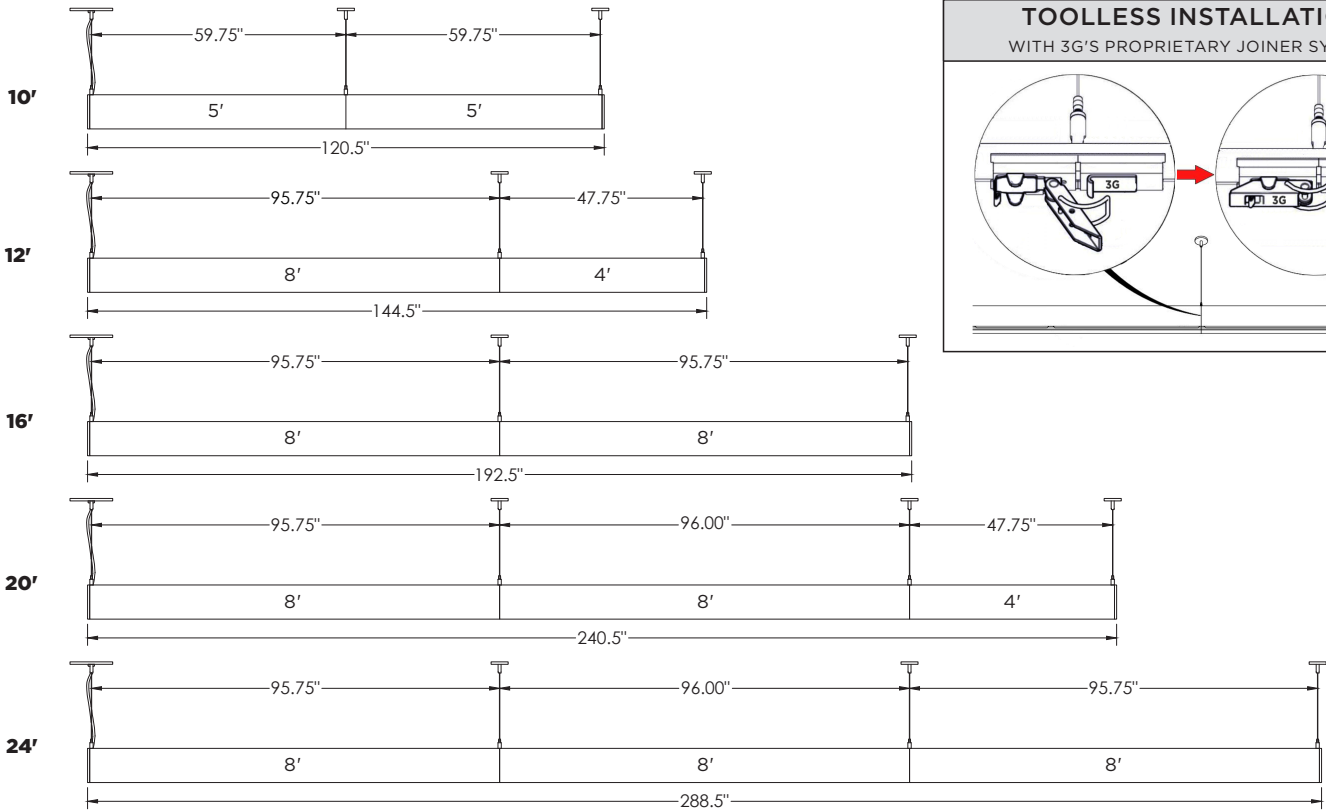
PATTERNS

Specify pattern shape and overall dimensions as shown below. Available in 1' increments only
Patterns are connected with fully illuminated 12"x12" L, T, and X-shaped sections



L-SHAPE	U-SHAPE	RECTANGLE/SQUARE	T-SHAPE	X-SHAPE
Provide dimensions of AxB Example: L - 6'x8'	Provide dimensions of AxBxC Example: U - 8'x10'x6'	Provide dimensions of AxB Example: R - 10'x8'	Provide dimensions of AxB Example: T - 14'x6'	Provide dimensions of AxB Example: X - 14'x14'

TYPICAL SECTION MOUNTING (AVAILABLE IN 1' INCREMENTS AS STANDARD)



MOUNTING DETAILS

