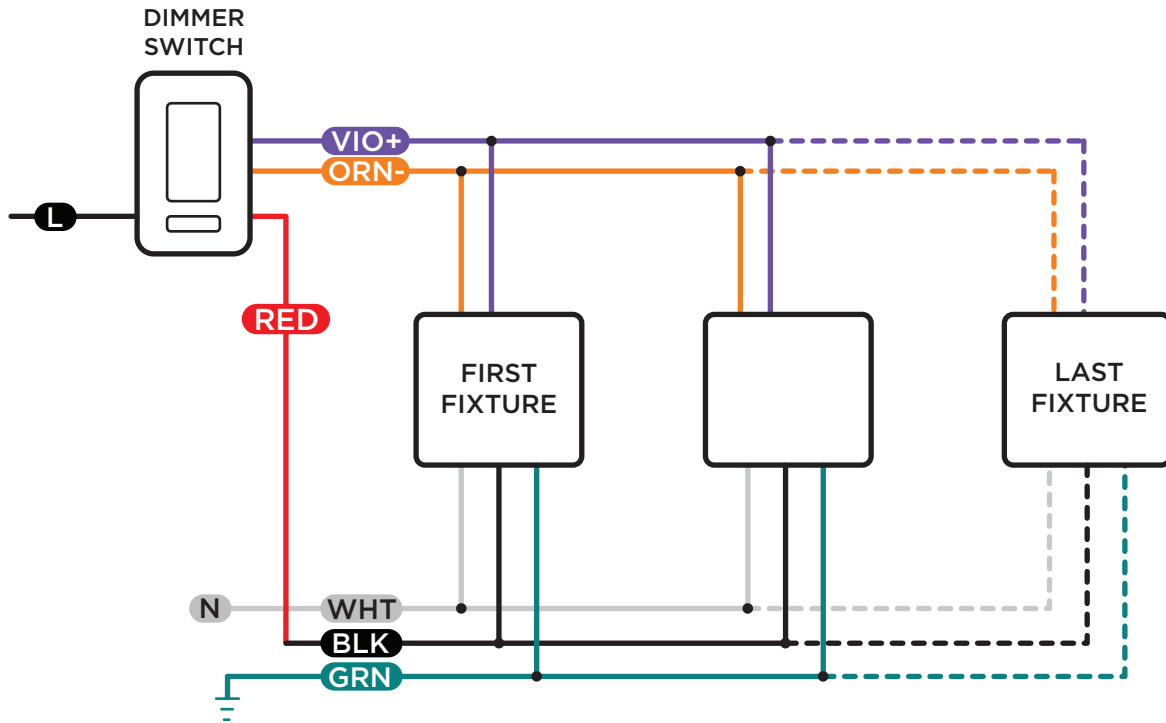
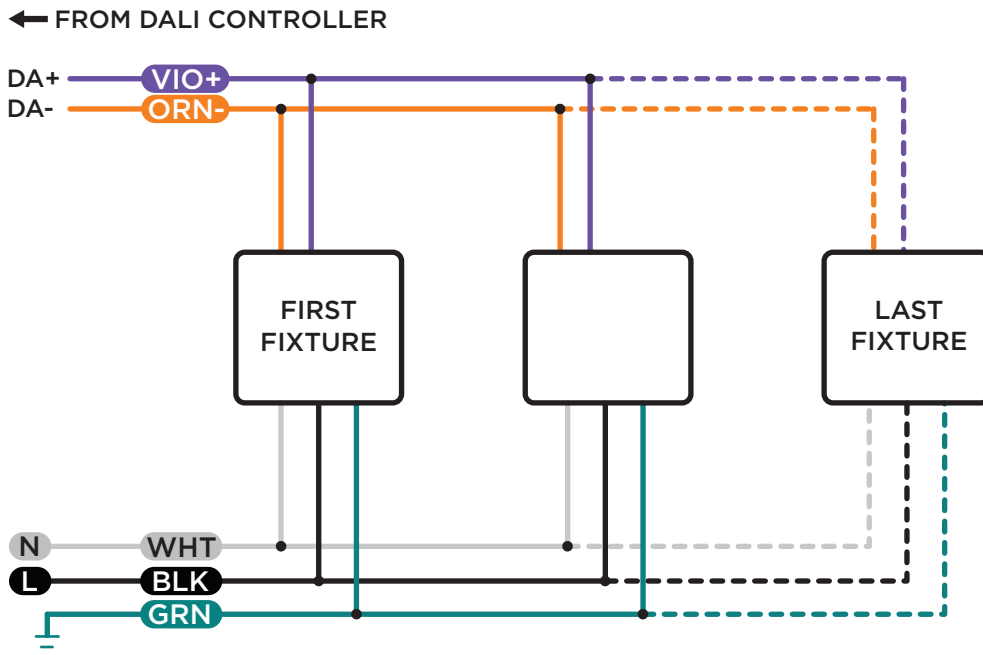
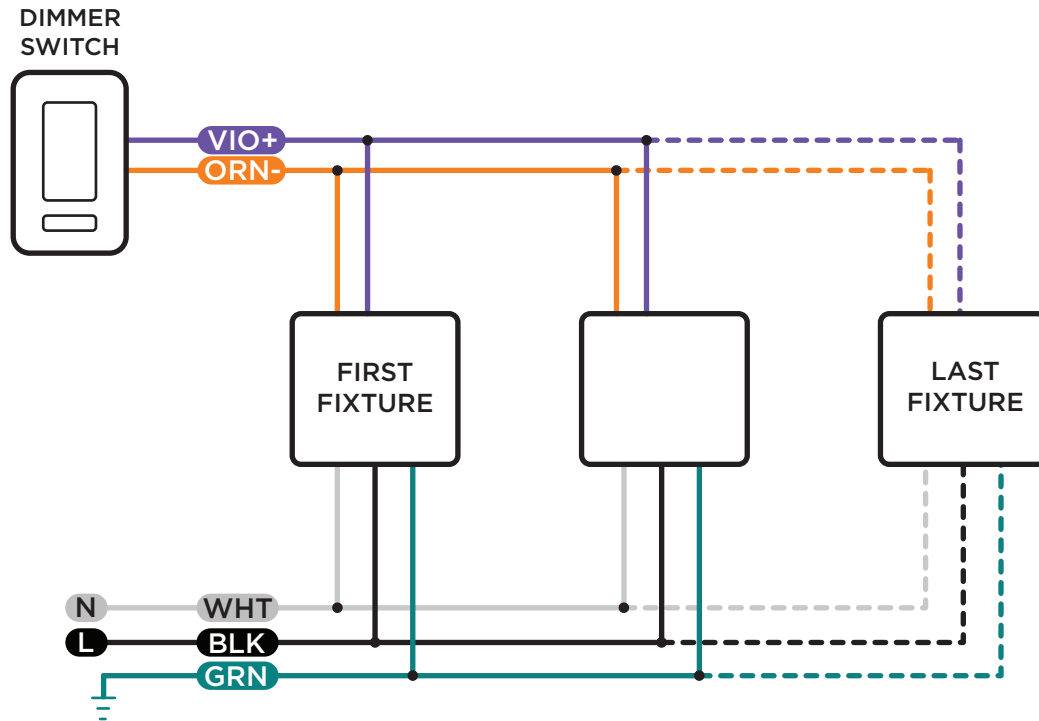


NOTES: SWITCHED HOT WIRE - RED WIRE



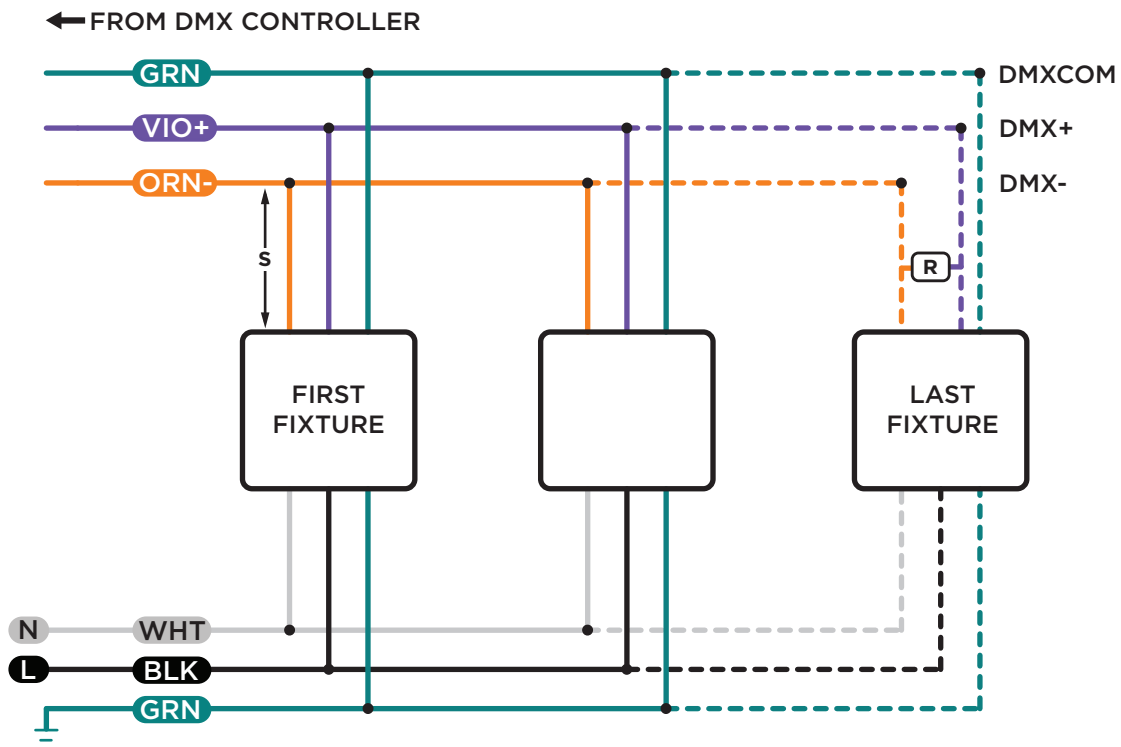
**WIRING DIAGRAM - DALI**



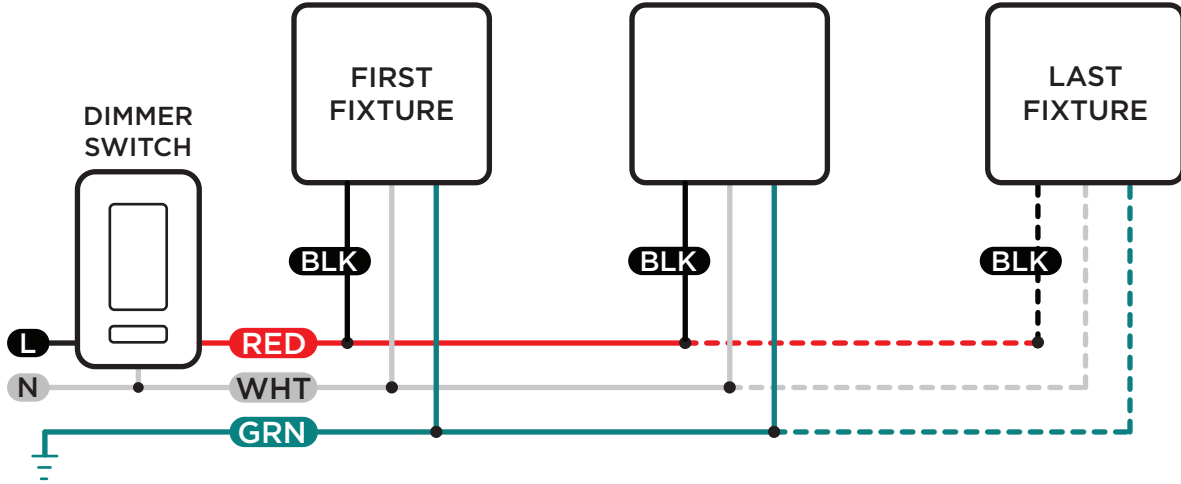


**WIRING DIAGRAM - DMX**

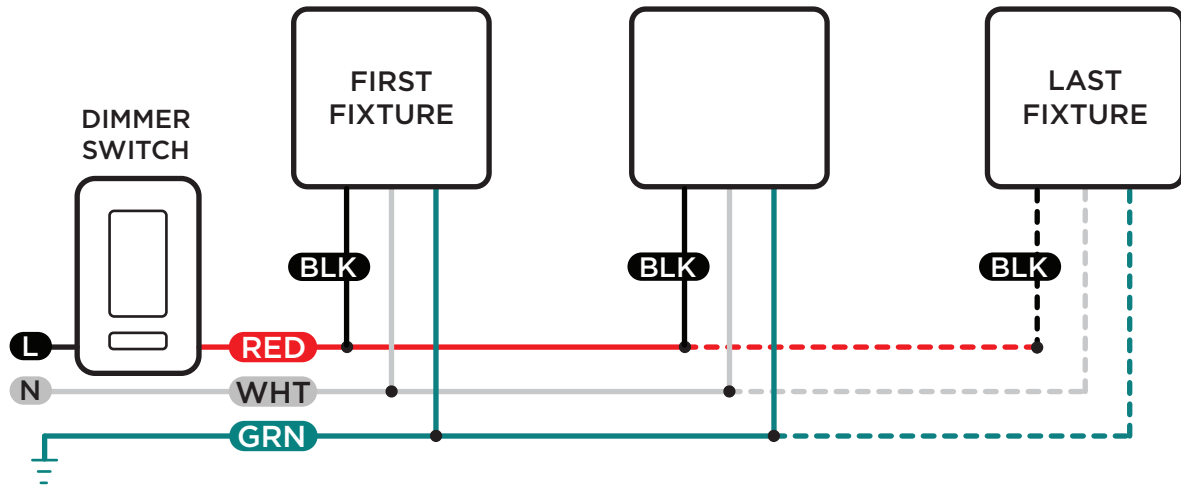
NOTES: Stub Length - S      Termination Resistors - R - (By Others)  
 Cannot exceed 300mm      Typically 120 Ohms - 0.05W



NOTES: SWITCHED HOT WIRE - RED WIRE



NOTES: SWITCHED HOT WIRE - RED WIRE



NOTES: SWITCHED HOT WIRE - RED WIRE

