

3G LIGHTING

3G-PDL45RM5

4.5" MINI MADISON CYLINDER
7" AND 11" HEIGHT

4.5" diameter high performance adjustable cylinder
Companion to 3G's Madison product family
Machined aluminum double gimbal. Adjustable and lockable
1.95" Regressed LED source for enhanced glare control
Extruded aluminum housing with powder coated finish
Twist and lock construction and no visible hardware
Lumen range up to 2200lm (80+, 90+, and 97+ CRI options)
1% dimming standard with several integral driver options



PROJECT:		TYPE:	
CATALOG#:		DATE:	QTY:

CAT. NO	FIXTURE HEIGHT	LUMEN OUTPUT	CRI	COLOR TEMP	BEAM ANGLE
3G-PDL45RM5	7H - 7" HEIGHT *	10 - 1000 LUMENS	S80 - 80+ CRI ¹	27K - 2700K	20D - 20°
	11H - 11" HEIGHT	15 - 1500 LUMENS	H90 - 90+ CRI	30K - 3000K	40D - 40°
		22 - 2200 LUMENS	H97 - 97+ CRI ¹	35K - 3500K 40K - 4000K	60D - 60° 90D - 90° *
	<small>*7H available in DIM & LE driver options only. Not available in 347V</small>				<small>*90D reflector supplied standard with lens</small>

VOLTAGE	DRIVER	HOUSING FINISH	GIMBAL FINISH
UNV - 120/277V 120 - 120V 347 - 347V ²	DIM - 0-10V (100-1%) LE - PHASE DIM ³ (TRIAC/ELV, 100-1%) D01 - 0-10V (100-0.1%) DALI - DALI (100-1%) ⁴ DHL2 - LUTRON HI-LUME (1% ECOSYSTEM) DMX - DMX (100-0%)	WH - WHITE BK - BLACK SV - SILVER CF - CUSTOM RAL COLOR	NG - NATURAL BG - BLACK WG - WHITE

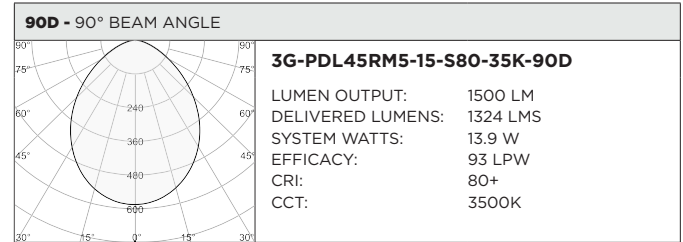
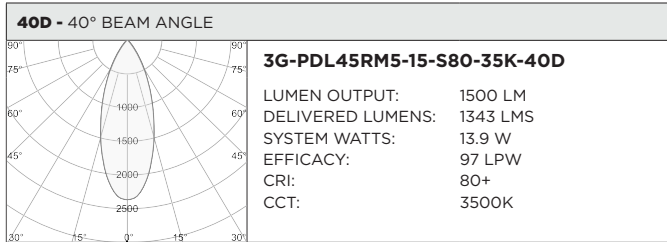
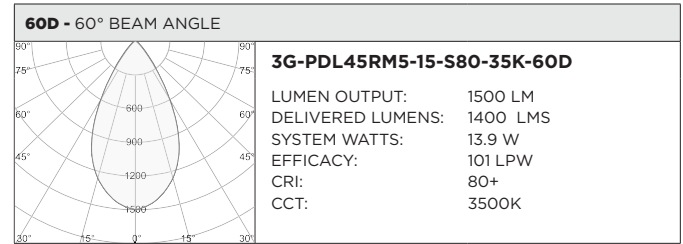
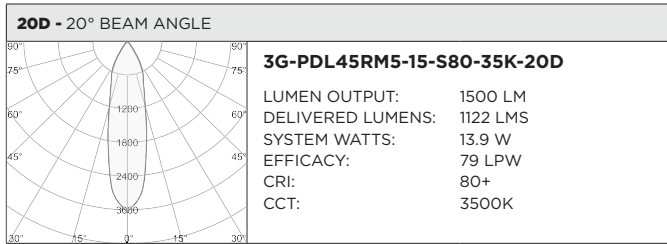
CANOPY	SUSPENSION TYPE	SUSPENSION LENGTH	OPTIONS
WCN - WHITE (STANDARD) BCN - BLACK SCN - SILVER CFW - WHITE CONDUIT FEED CANOPY CFB - BLACK CONDUIT FEED CANOPY CFS - SILVER CONDUIT FEED CANOPY	WC - WHITE CABLE BC - BLACK CABLE RSW - WHITE RIGID STEM RSB - BLACK RIGID STEM RSS - SILVER RIGID STEM	C60 - 60" CABLE C120 - 120" CABLE S48 - 48" STEM S96 - 96" STEM	HXB - HEXCELL LOUVER LS - LINEAR SPREAD LENS SB - SANDBLASTED LENS SF - SOFTENING LENS EMR - EMERGENCY BATTERY ⁵ (REMOTE)
		<small>All suspension options are field cuttable</small>	<small>Maximum 2 optical accessories Not available with 90D reflector option</small>

¹ S80 not available in 27K. H97 available in 30K and 35K as standard
² 347 available in "DIM" 0-10V only (100-1%). Not available with 7H model
³ Phase dimming options available in 120V only
⁴ DALI-2 (Type 6) provided as standard. Consult factory for DALI Type 8 option
⁵ Emergency battery installed remotely by others. Not accessible through the inside of the fixture

BASED ON 60° BEAM ANGLE AND 3500K SOURCE

LUMEN OUTPUT	80+ CRI			90+ CRI			97+ CRI		
	DELIVERED LUMENS	SYSTEM WATTS	EFFICACY (LPW)	DELIVERED LUMENS	SYSTEM WATTS	EFFICACY (LPW)	DELIVERED LUMENS	SYSTEM WATTS	EFFICACY (LPW)
1000LMs	1015	10.2	100	893	10.2	88	833	10.0	82
1500LMs	1400	13.9	101	1232	13.9	89	1148	13.9	83
2200LMs	2194	22.0	100	1931	22.0	88	1799	22.0	82

LUMEN OUTPUT MULTIPLIER: 27K=0.94, 30K=0.97, 35K=1.00, 40K=1.01



HOUSING

Extruded aluminum housing with powder coated finish
 Twist and lock construction with no visible hardware

BEVELED INSERT

4.5" machined aluminum trim insert feature 3G's Mini Madison double gimbal
 Solid aluminum 50mm double gimbal with dual axis adjustability (35°x35°)
 Each double gimbal can be locked in place

OPTICS

Regressed LED source for enhanced glare control
 Proprietary anodized, aluminum reflectors are field replaceable (20° reflector not interchangeable)
 Available in 20°, 40°, 60° and 90°

MOUNTING

1/2" diameter rigid stem option with sloped ceiling adapter (field cuttable)
 Standard, 18-gauge, 5 conductor single circuit braided power feed (black and white finish)
 All hardware included for mounting to 4" octagonal junction box
 Canopy provided in white finish as standard

WARRANTY

5 Year Warranty on LED and drivers
 Manufacturer 1 Year Warranty for defects in material and workmanship under normal use
 Ambient temperature at fixture should not exceed 25°C

ELECTRICAL

Standard 0-10V, constant current drivers with 100-1% dimming range and >0.9 power factor
 120V Forward Phase/Reverse Phase driver option with 100-1% dimming range
 Standard 120/277V universal voltage with several driver options
 All drivers are integral and easily accessible through luminaire aperture
 7" models include 0-10V drivers that operate only with dimmers that sink current (not designed for source current)
 Compatible 0-10V dimmers for all 7" height models listed below:
Lutron NFTV, Lutron DDTV, Lutron DVSTV, Lutron VIVE RMJS-8TN, Leviton IP710-DLZ, Philips SR1200ZTUNV, Cooper SF10P

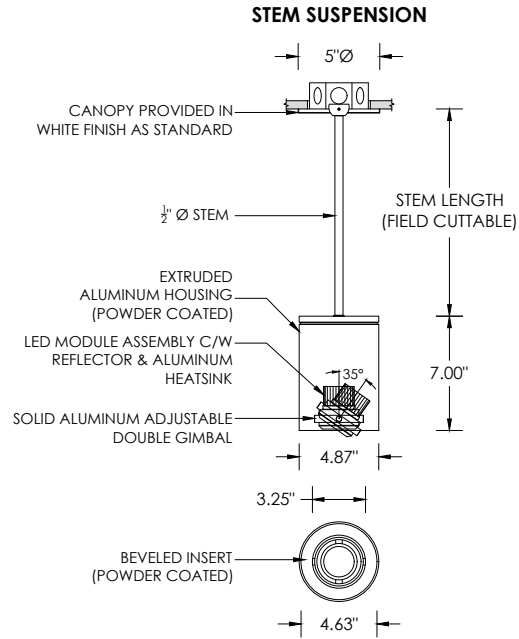
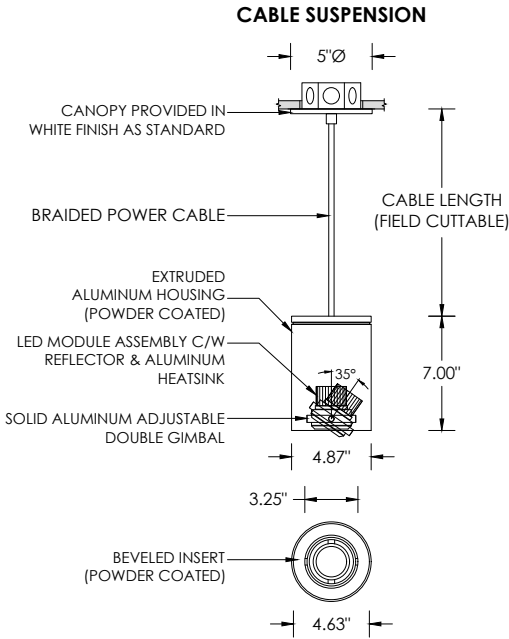
LED SYSTEM

Citizen LED module (field replaceable)
 Color consistency <2 SDCM
 Standard (80+ CRI). Optional (90+ and 97+ CRI)
 Available in 27K, 30K, 35K, and 40K
 L90 >50,000 hours
 5 Year Warranty

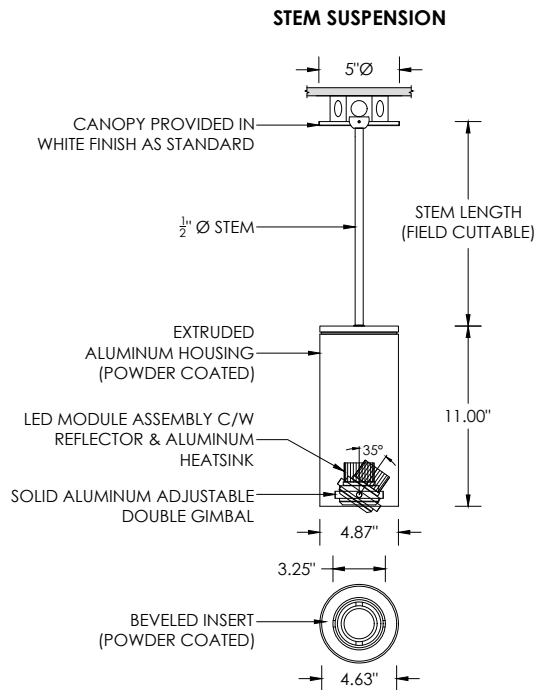
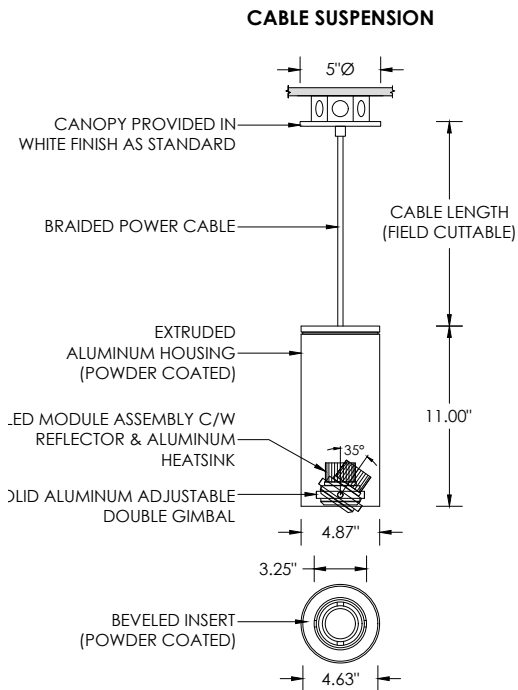
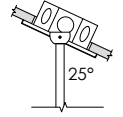
LISTING

ETL listed and conforms to UL1598 standard. Certified to CSA22.2 No.250.0.
 Rated for indoor dry or damp locations

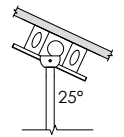
RECESSED 4" OCTAGONAL JUNCTION BOX BY OTHERS
STANDARD CANOPY MOUNT



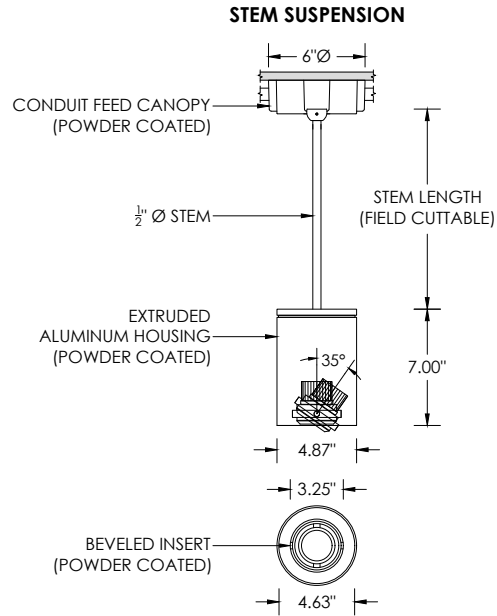
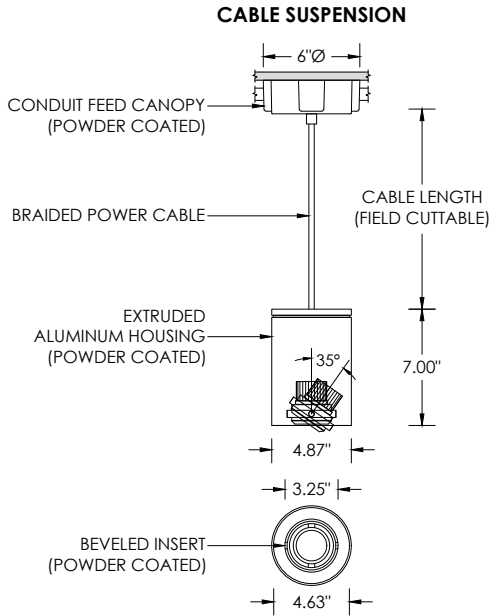
SUITABLE FOR SLOPED CEILING



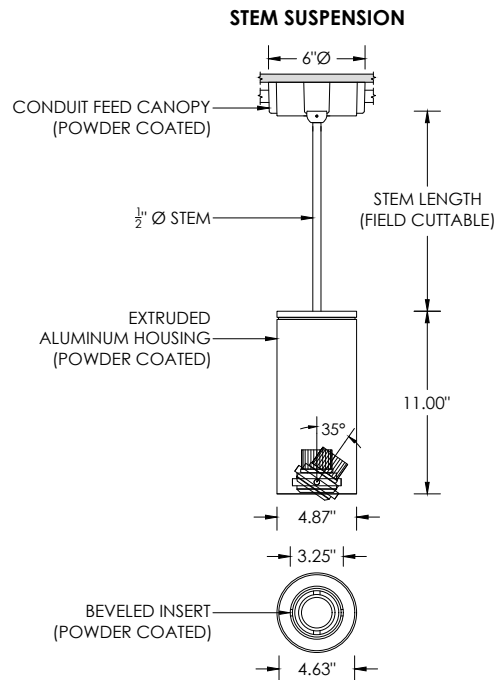
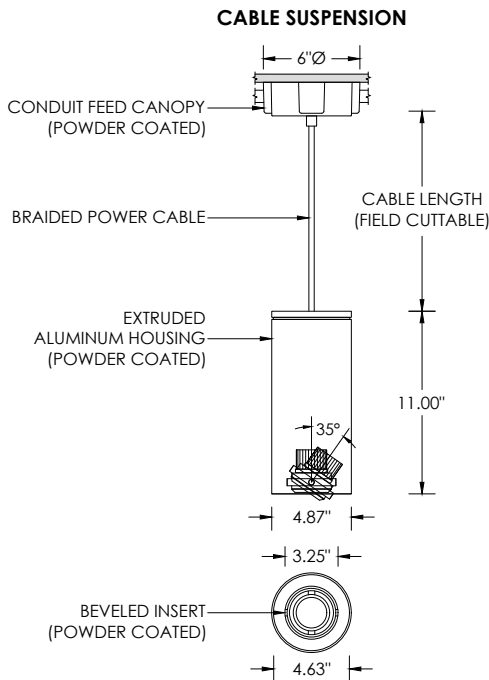
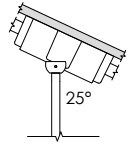
SUITABLE FOR SLOPED CEILING



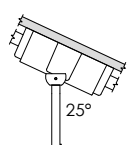
SURFACE 4" OCTAGONAL X 1.5" DEEP JUNCTION BOX BY OTHERS
CONDUIT FEED CANOPY MOUNT (CFX OPTION)



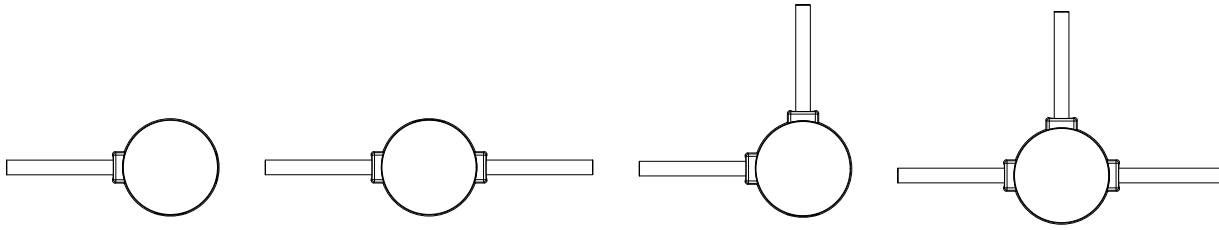
SUITABLE FOR SLOPED CEILING



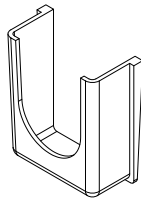
SUITABLE FOR SLOPED CEILING



CONDUIT FEED CANOPY MOUNTING OPTIONS



CONDUIT COVER
3 PROVIDED WITH EACH
CONDUIT FEED CANOPY



BLANK
2 PROVIDED WITH EACH
CONDUIT FEED CANOPY

