

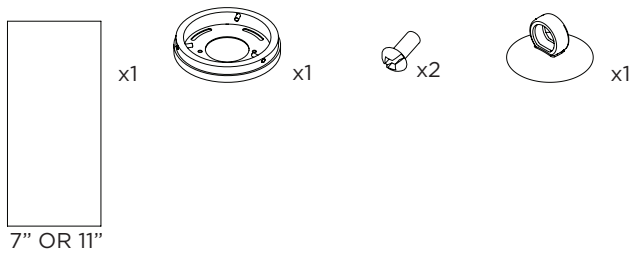
4.5" MINI MADISON CYLINDER

SURFACE MOUNT

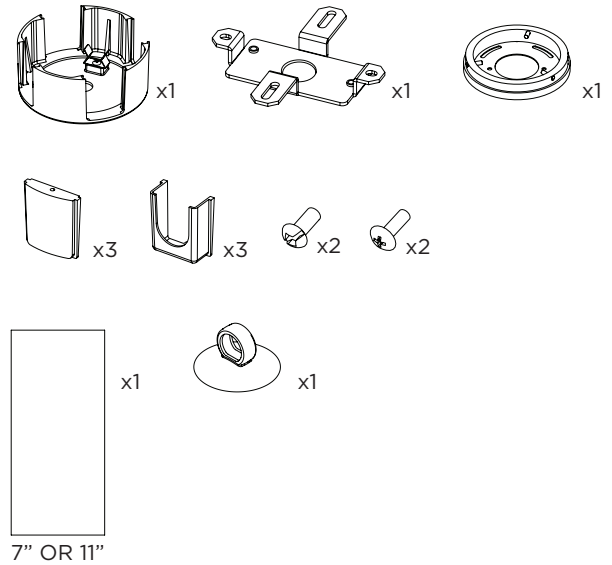


COMPONENTS

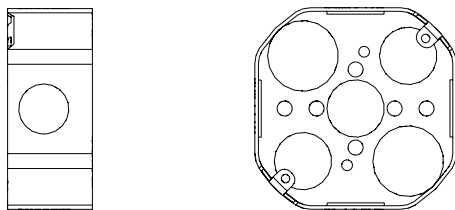
STANDARD CANOPY



CONDUIT FEED CANOPY



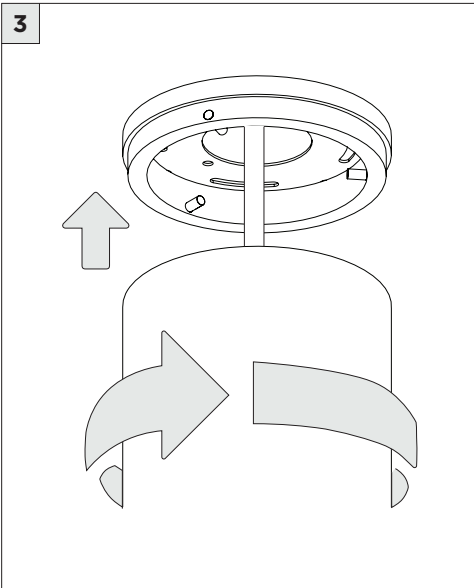
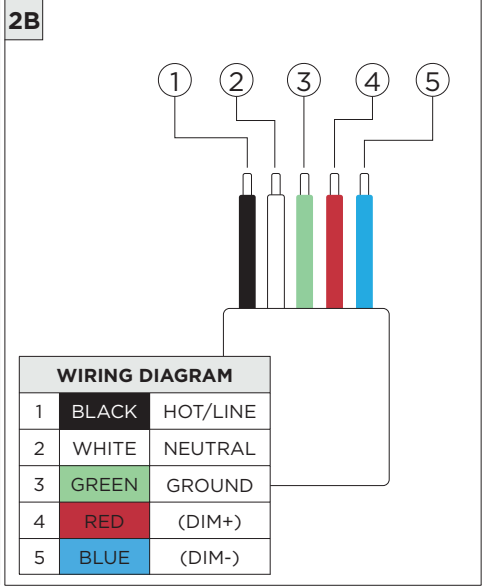
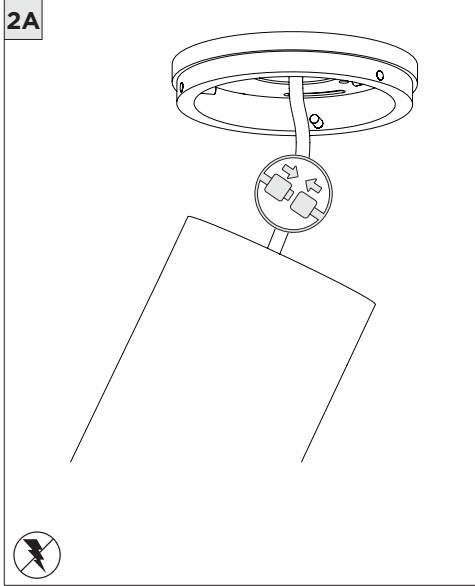
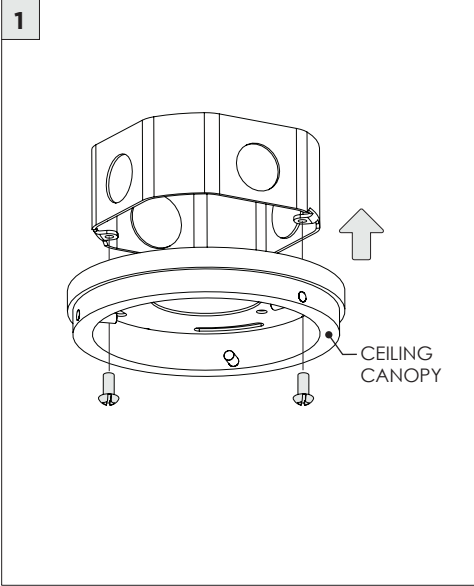
4" OCTAGONAL J-BOX REQUIRED FOR INSTALLATION

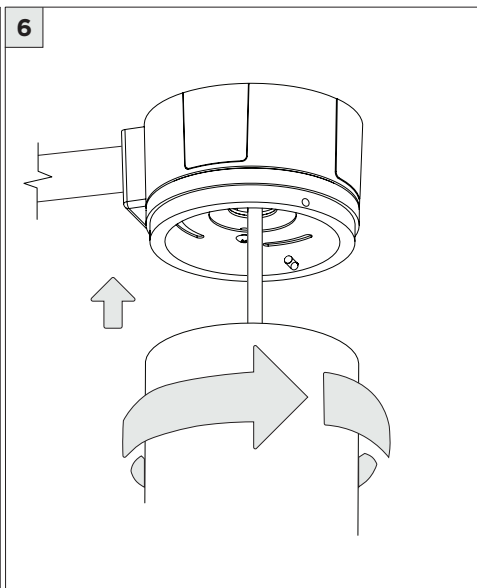
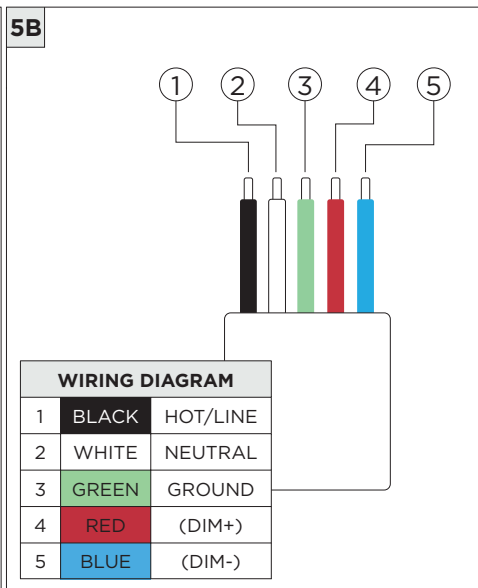
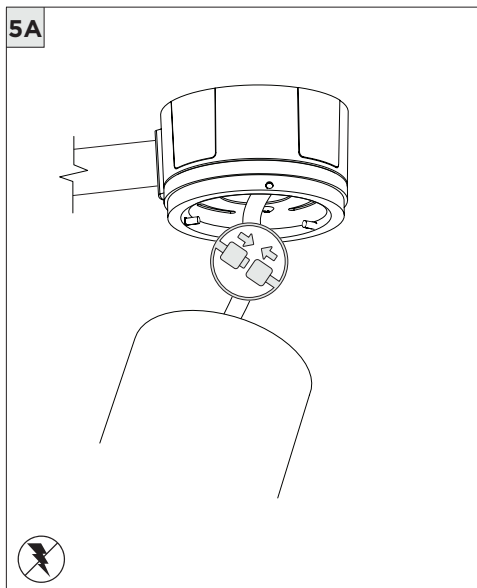
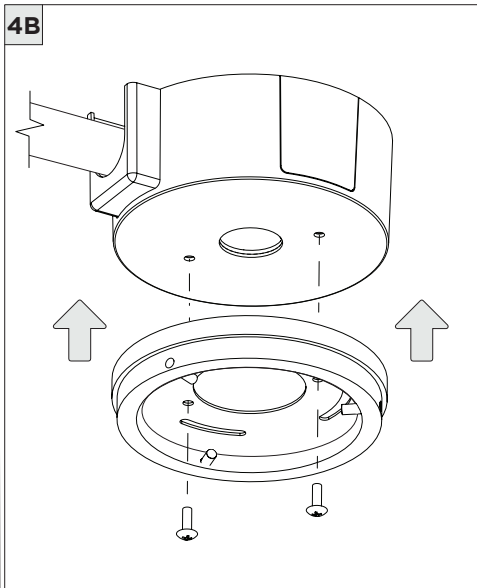
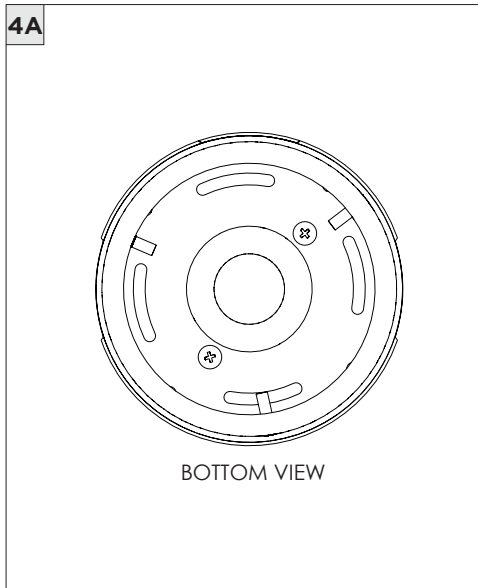
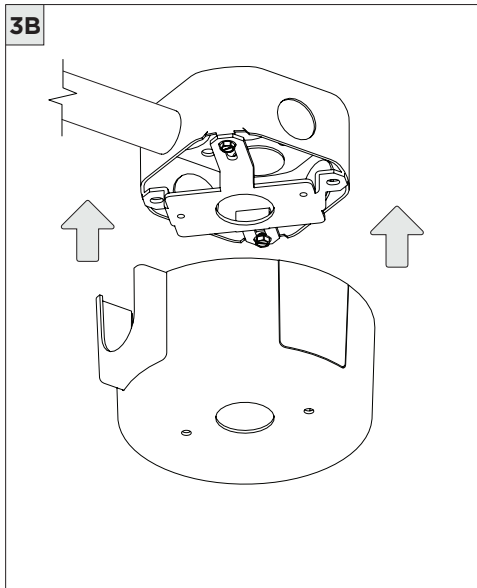
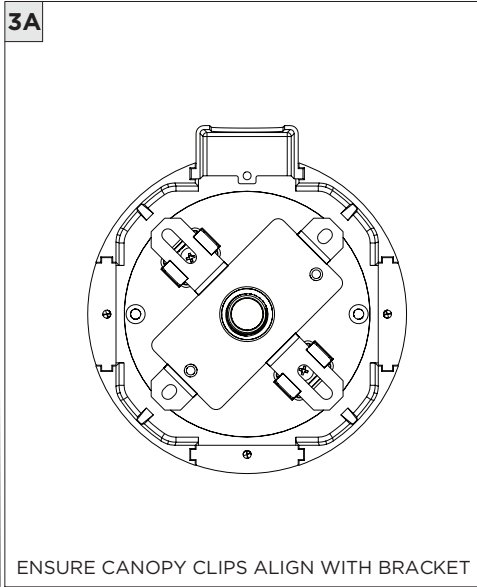
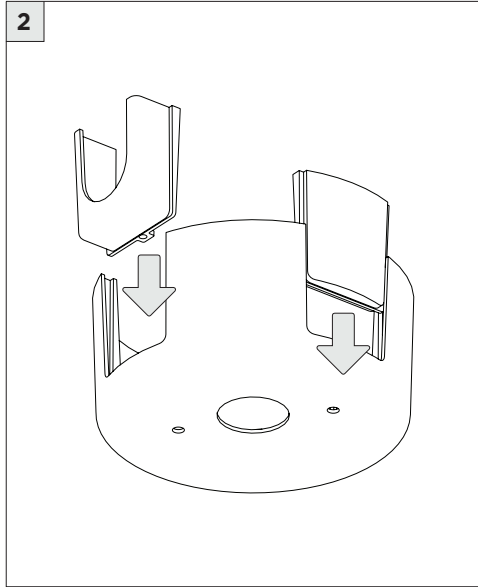
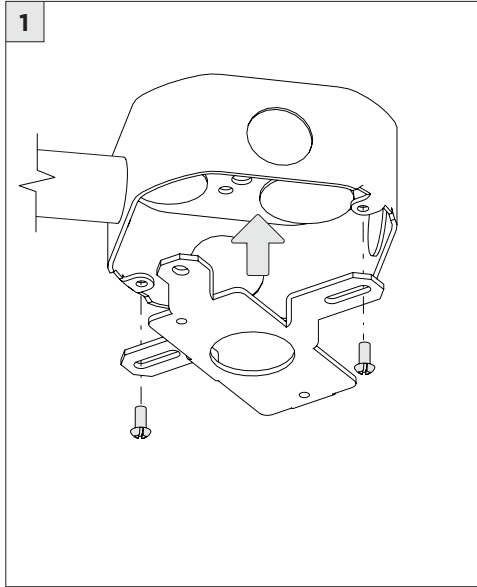


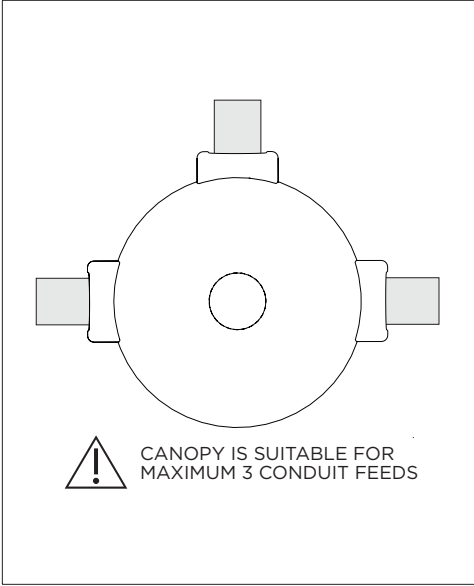
JUNCTION BOX (BY OTHERS)

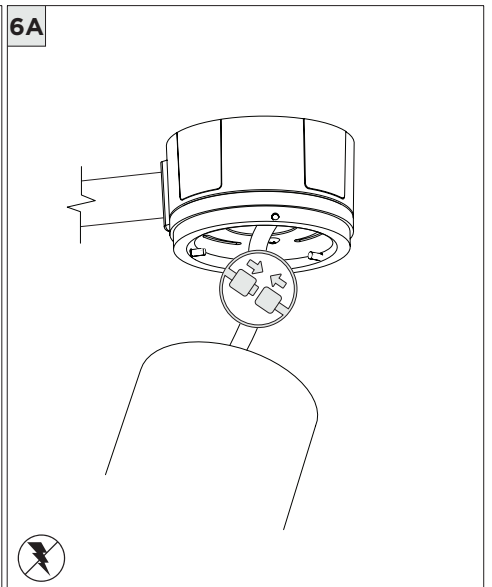
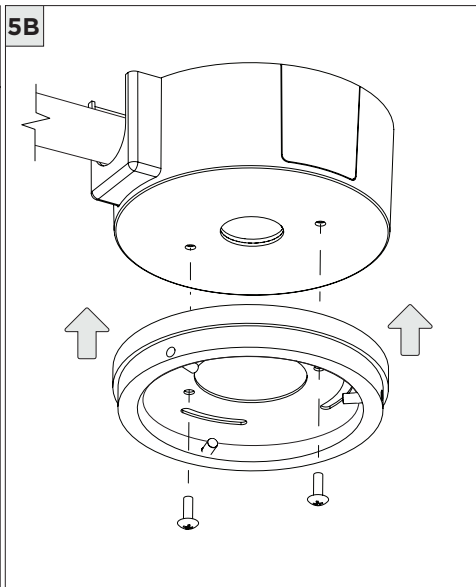
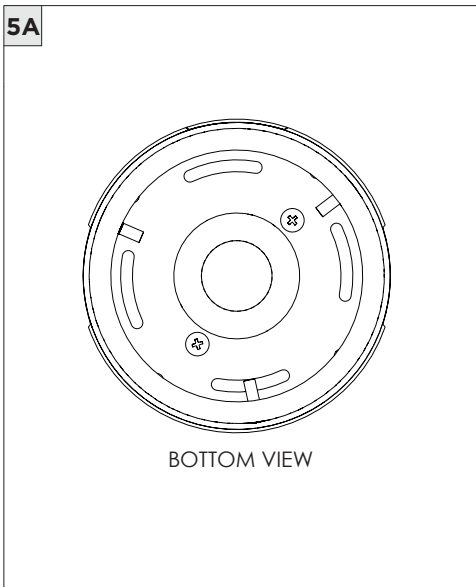
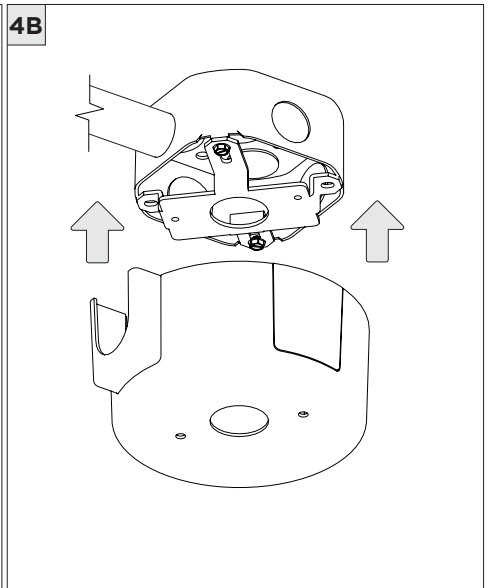
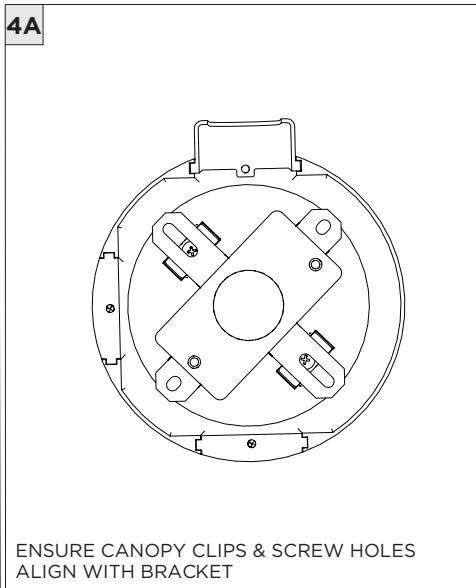
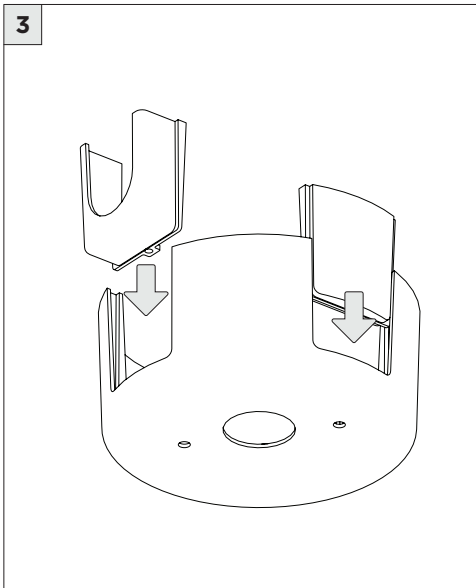
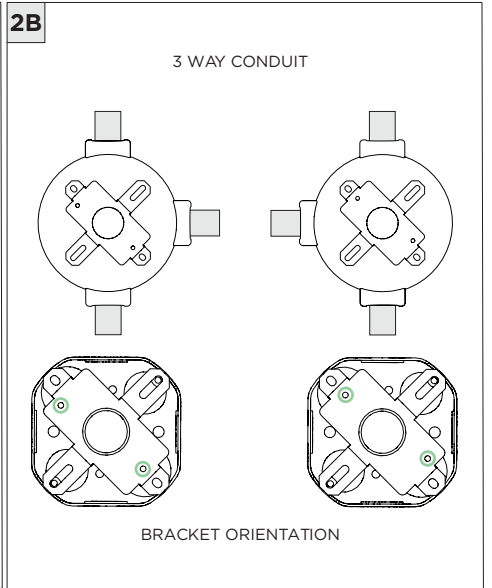
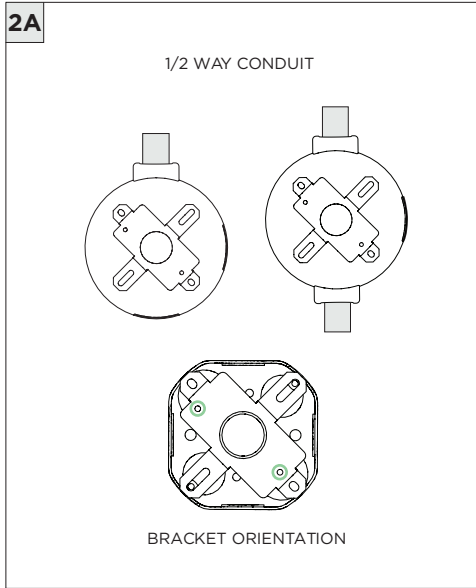
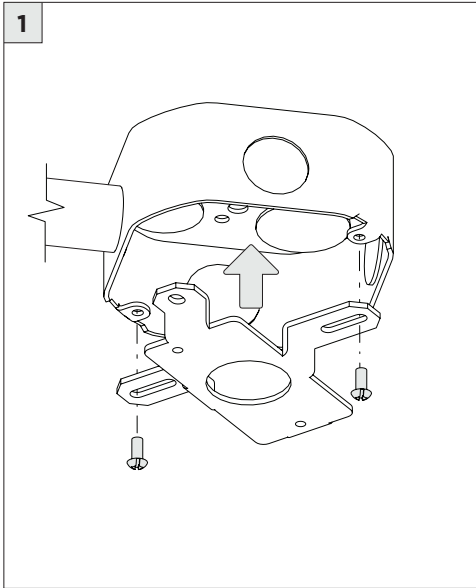
INSTRUCTION KEY	INFORMATION
	ADDITIONAL
	ATTENTION
	POWER ON
	POWER OFF

- | | | |
|--|------------|--|
| | ADDITIONAL | INSTALLATION SHOULD ONLY BE PERFORMED BY A CERTIFIED ELECTRICIAN |
| | ATTENTION | REFER TO LOCAL/NATIONAL CODES FOR PROPER INSTALLATION |
| | POWER ON | FAILURE TO FOLLOW INSTALLATION INSTRUCTION MAY VOID THE WARRANTY |
| | POWER OFF | DO NOT TOUCH LEDS. LEDS MUST BE PROTECTED FROM MECHANICAL STRESS OR DEBRIS |
| | | TURN OFF POWER DURING INSTALLATION OR SERVICING |

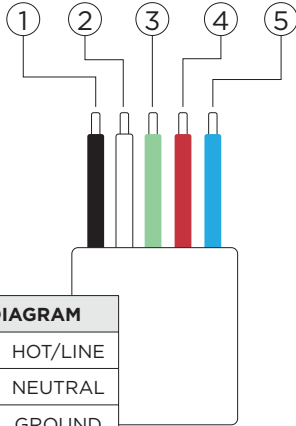






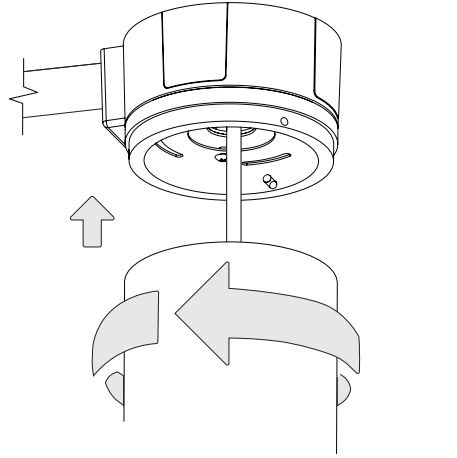


6B

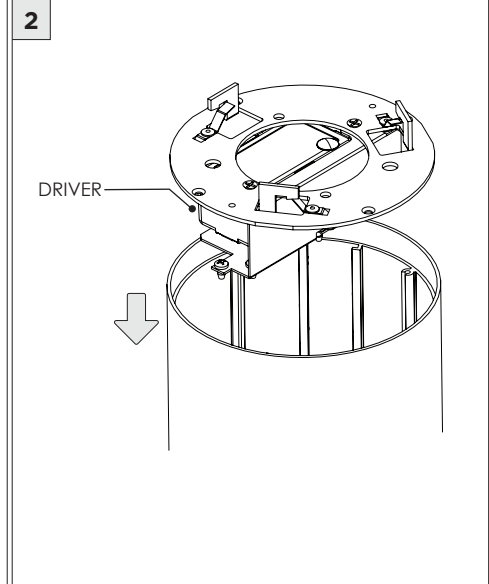
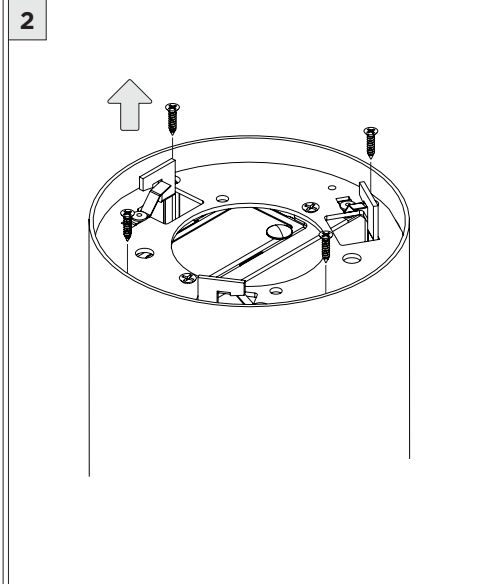
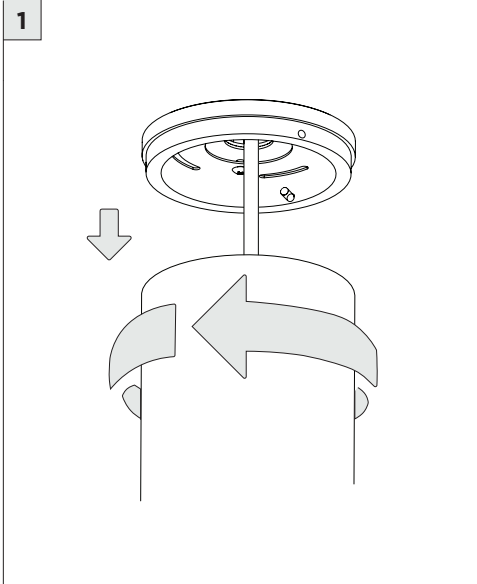


WIRING DIAGRAM		
1	BLACK	HOT/LINE
2	WHITE	NEUTRAL
3	GREEN	GROUND
4	RED	(DIM+)
5	BLUE	(DIM-)

7



DRIVER SERVICING



LED SERVICING

