

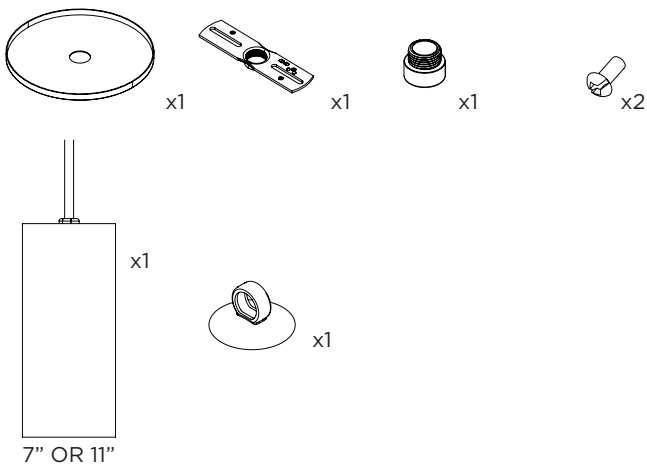
## 3.3" DOWNLIGHT CYLINDER - PENDANT

CABLE PENDANT MOUNT

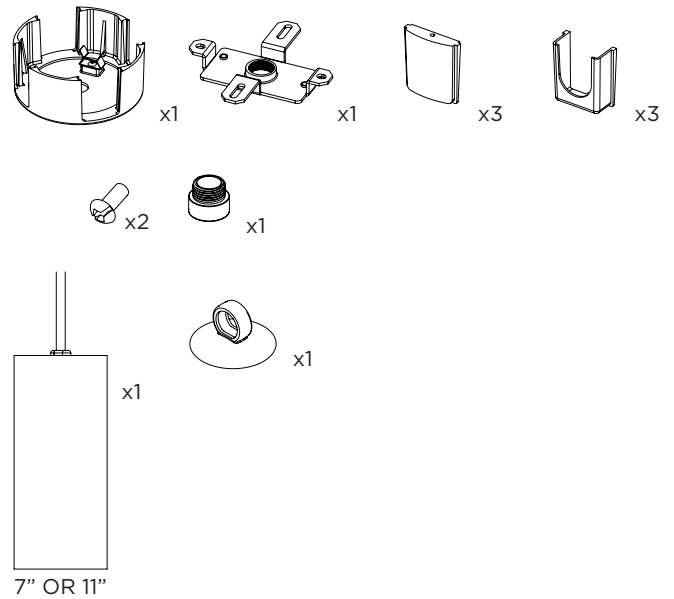


### COMPONENTS

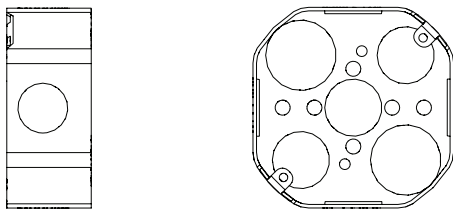
#### STANDARD CANOPY



#### CONDUIT FEED CANOPY

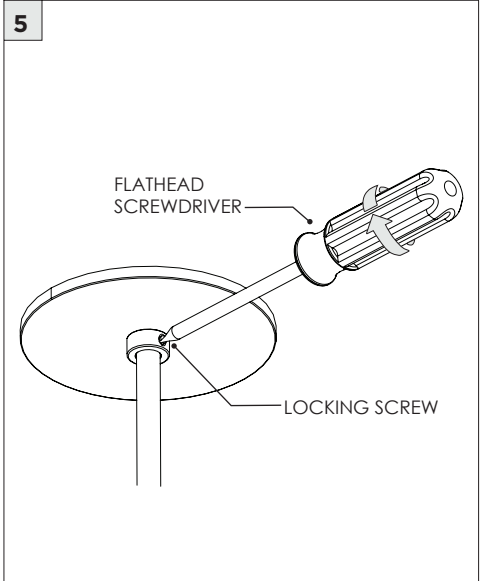
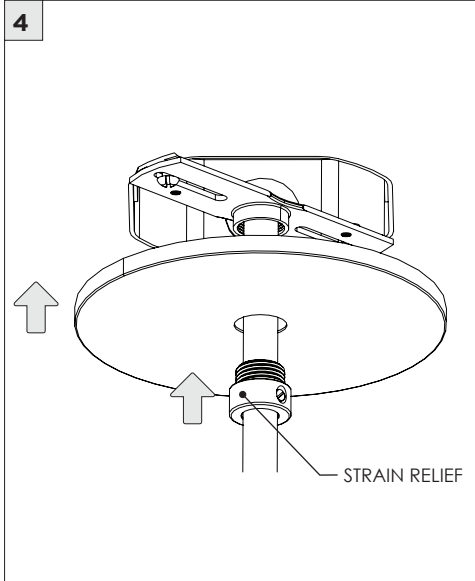
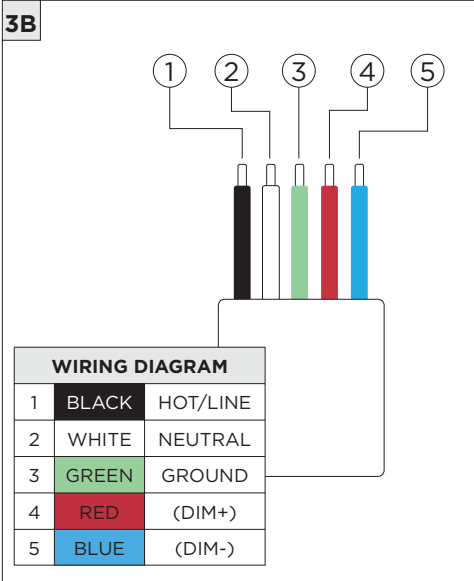
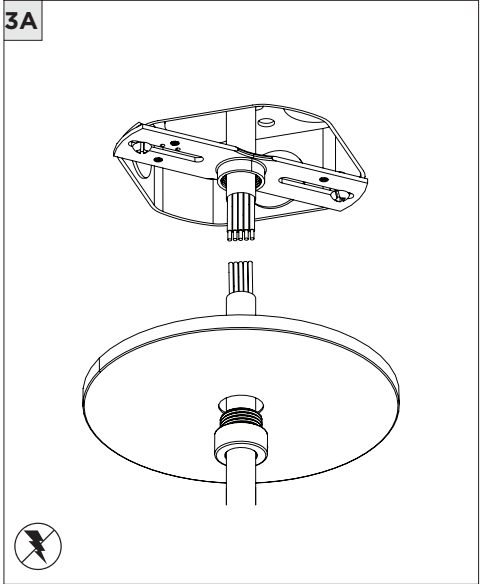
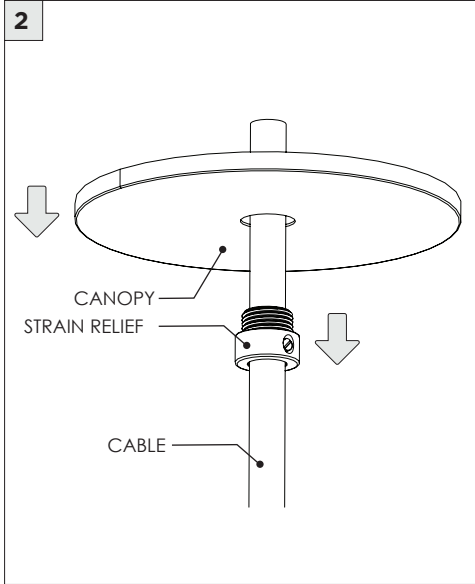
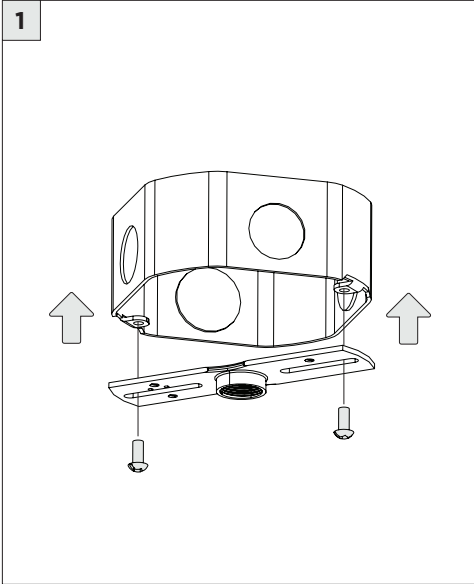


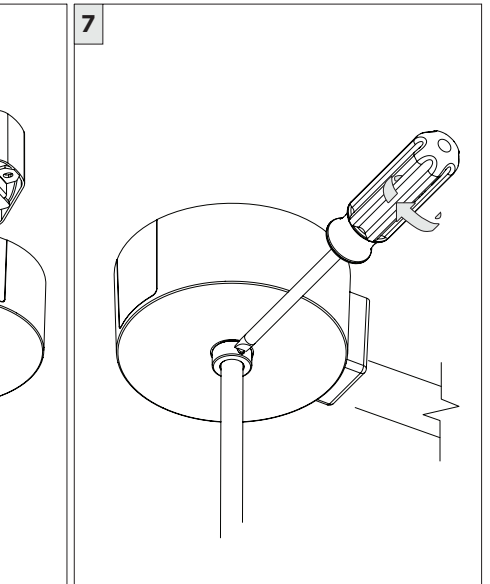
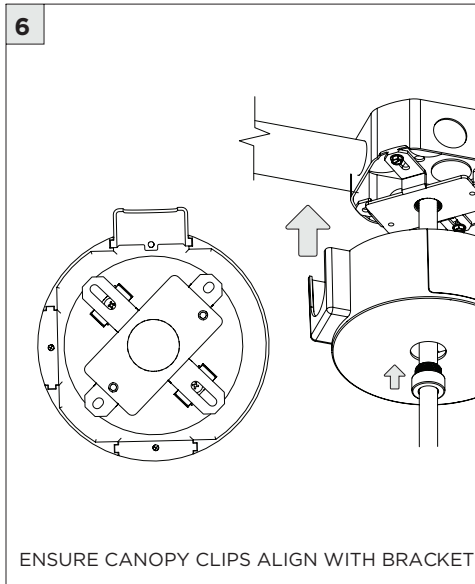
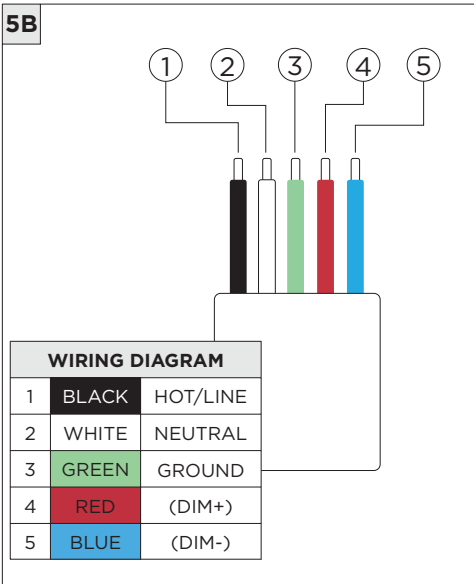
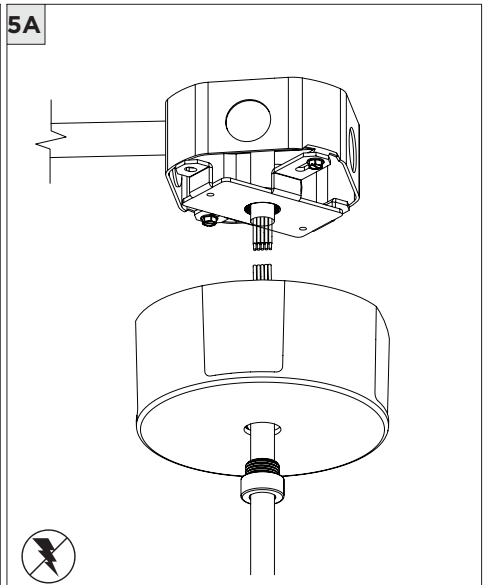
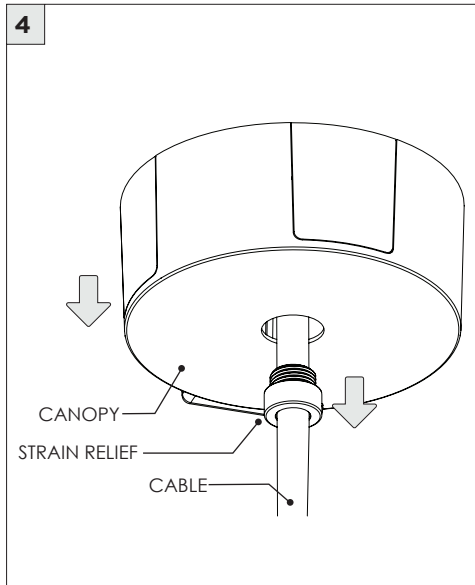
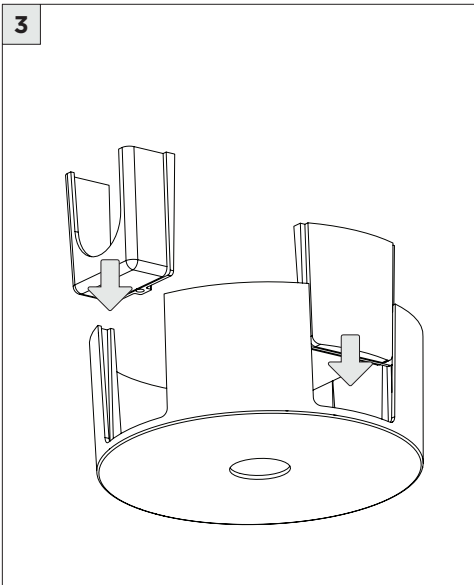
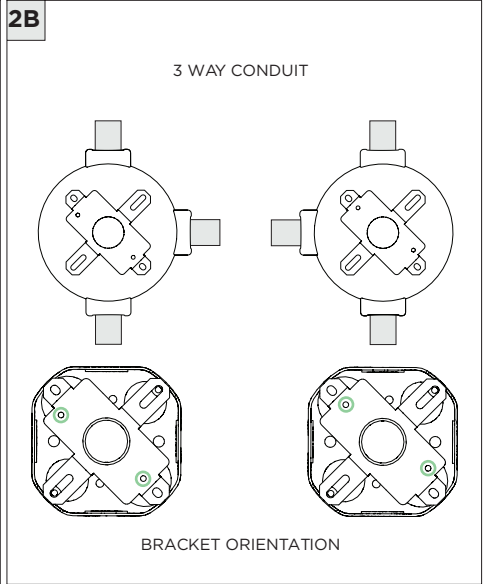
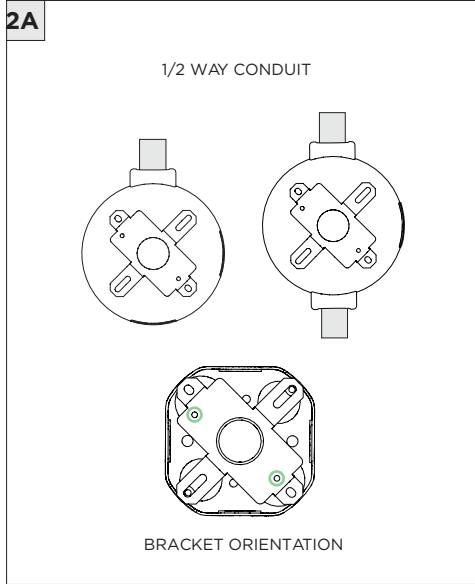
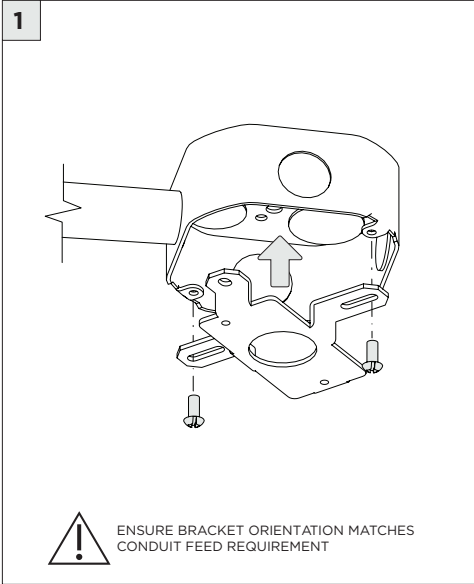
#### 4" OCTAGONAL J-BOX REQUIRED FOR INSTALLATION

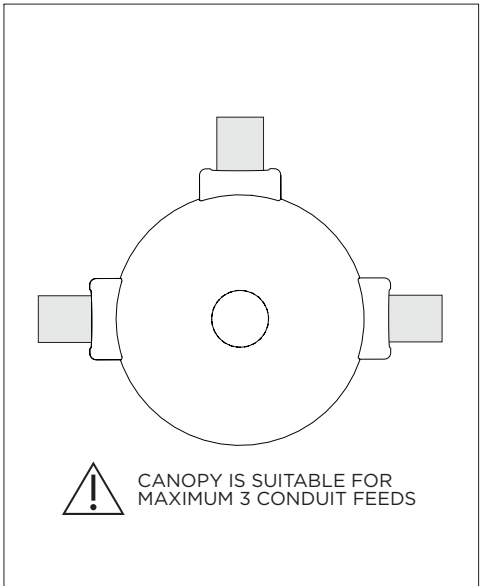
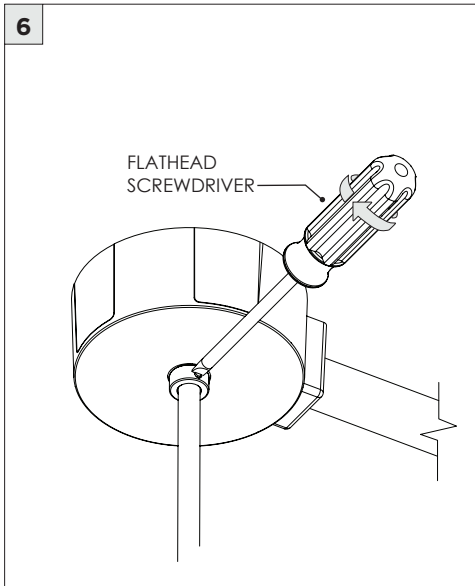
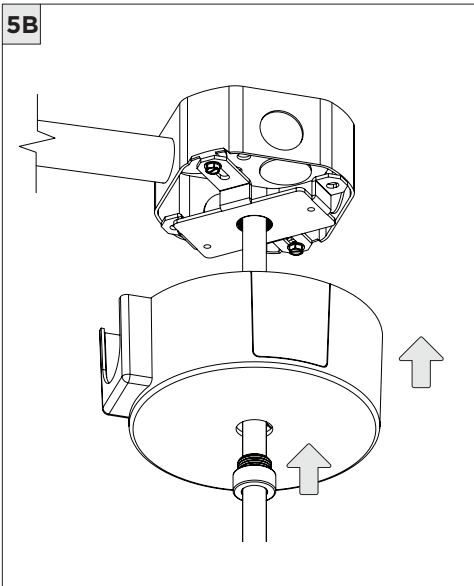
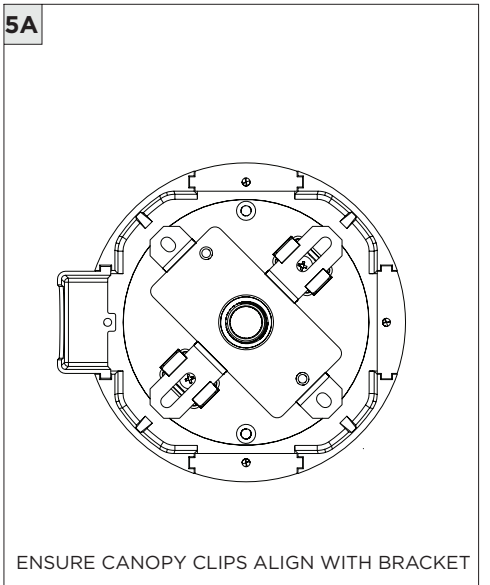
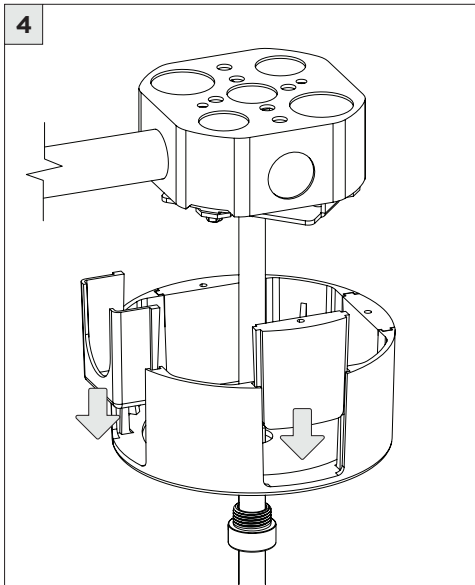
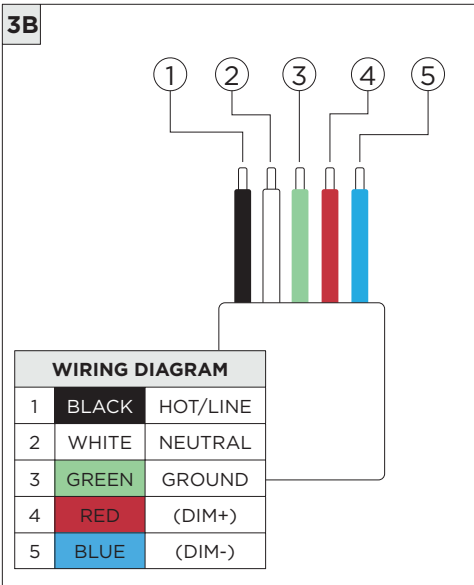
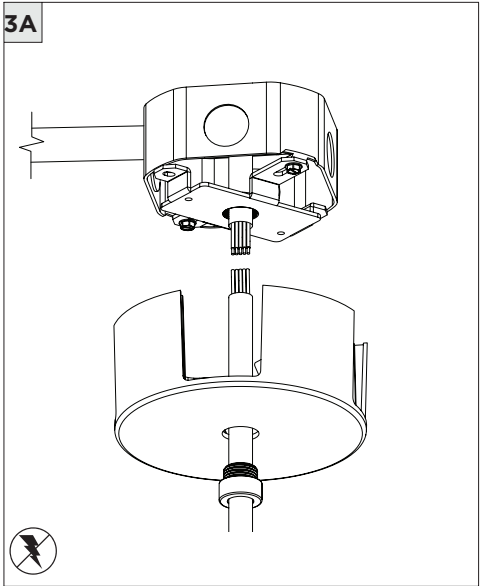
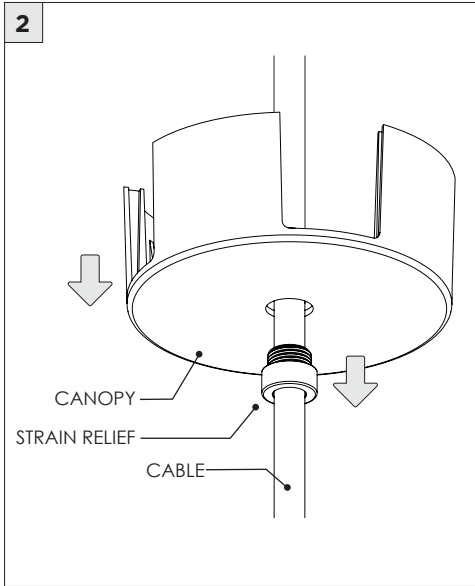
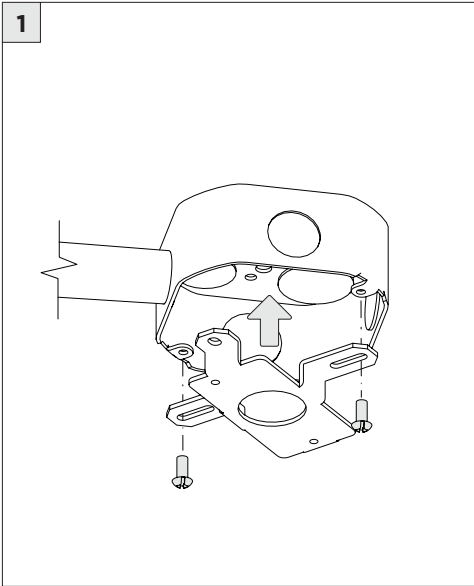


JUNCTION BOX (BY OTHERS)

INSTRUCTION KEY	INFORMATION
ADDITIONAL	INSTALLATION SHOULD ONLY BE PERFORMED BY A CERTIFIED ELECTRICIAN REFER TO LOCAL/NATIONAL CODES FOR PROPER INSTALLATION FAILURE TO FOLLOW INSTALLATION INSTRUCTION MAY VOID THE WARRANTY DO NOT TOUCH LEDS. LEDS MUST BE PROTECTED FROM MECHANICAL STRESS OR DEBRIS TURN OFF POWER DURING INSTALLATION OR SERVICING
ATTENTION	
POWER ON	
POWER OFF	

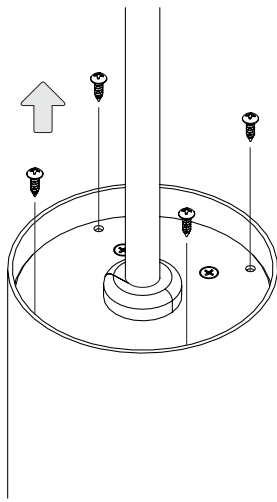




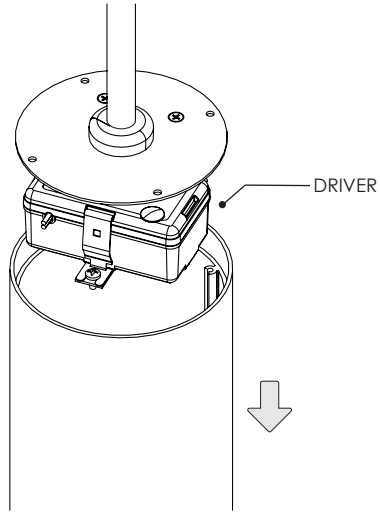


**DRIVER SERVICING**

1A

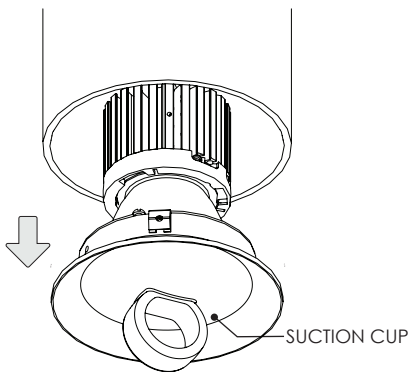


2



**LED SERVICING**

1



DISCONNECT LED WIRES AND REMOVE LED INSERT

2

