

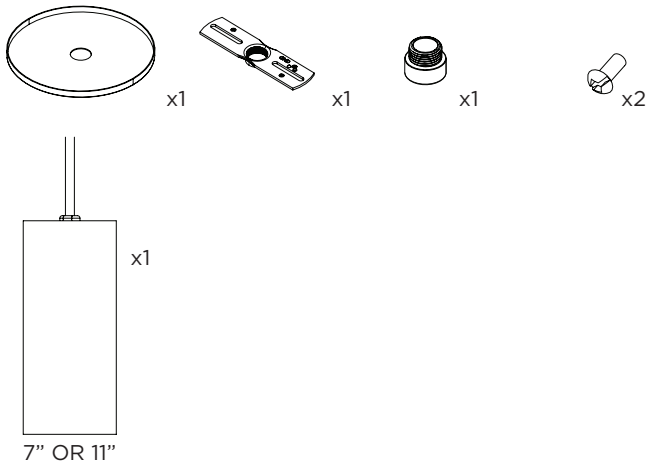
3.3" DOWNLIGHT PENDANT

CABLE PENDANT MOUNT

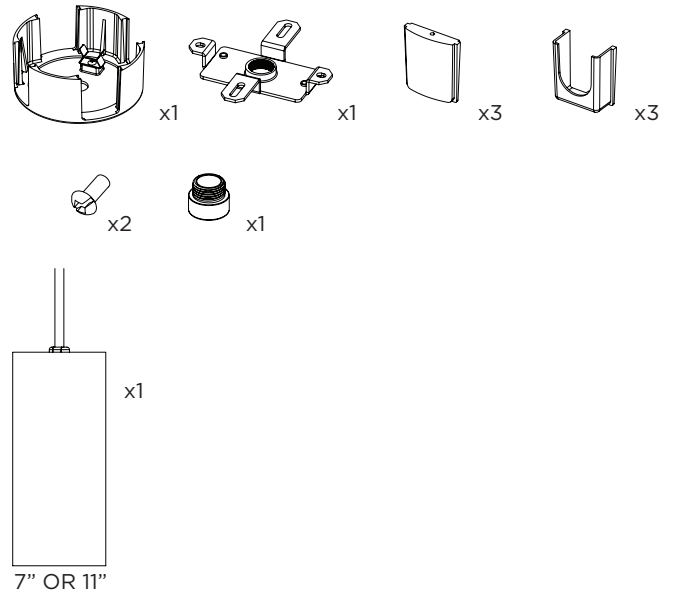


COMPONENTS

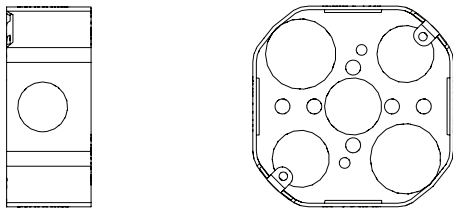
STANDARD CANOPY



CONDUIT FEED CANOPY



4" OCTAGONAL J-BOX REQUIRED FOR INSTALLATION



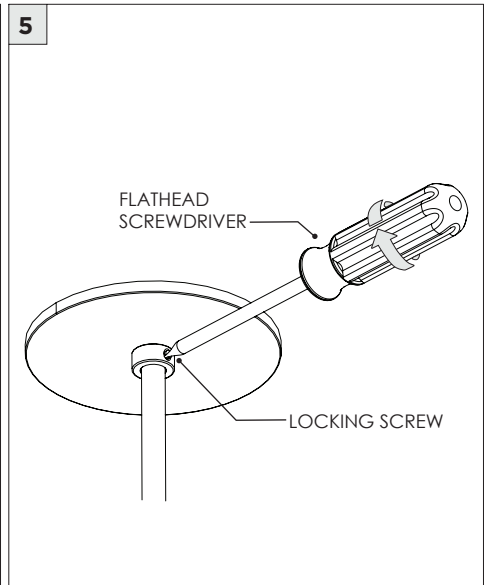
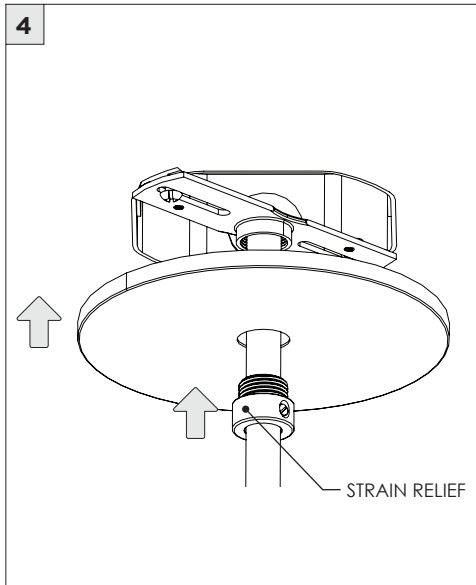
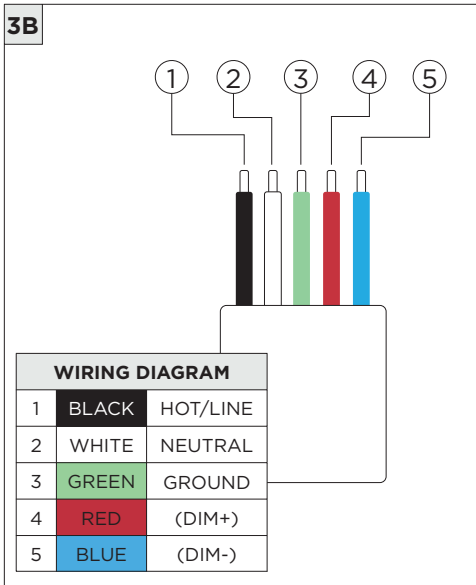
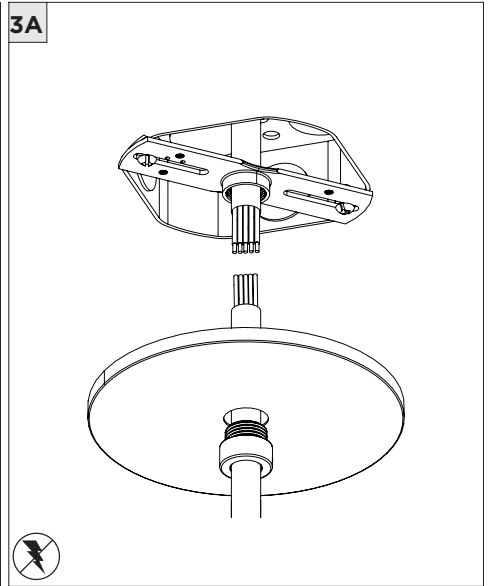
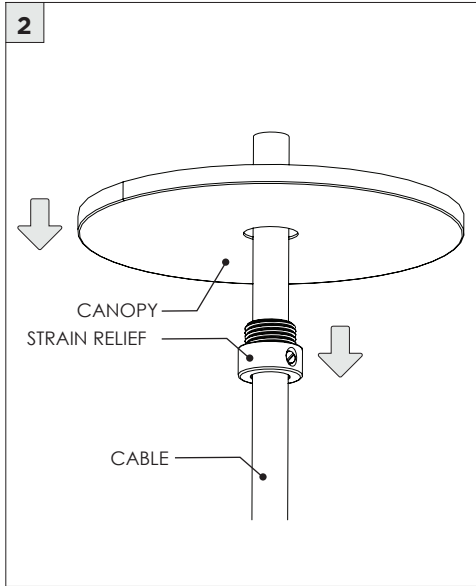
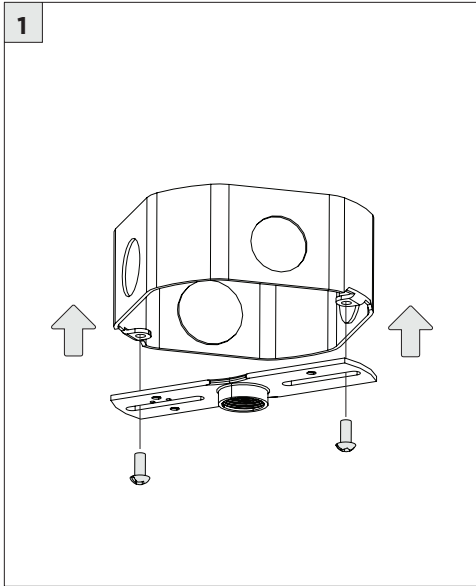
JUNCTION BOX (BY OTHERS)

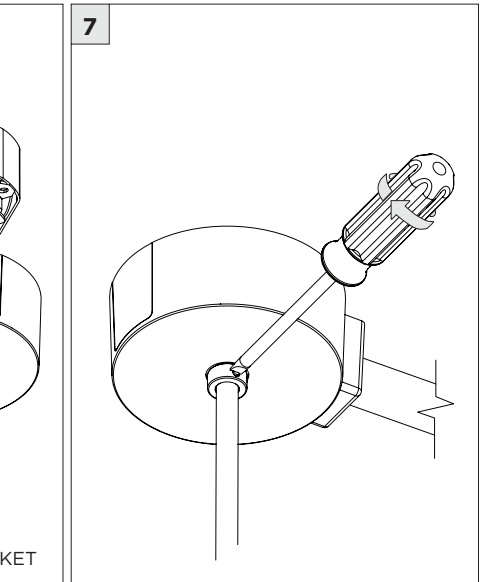
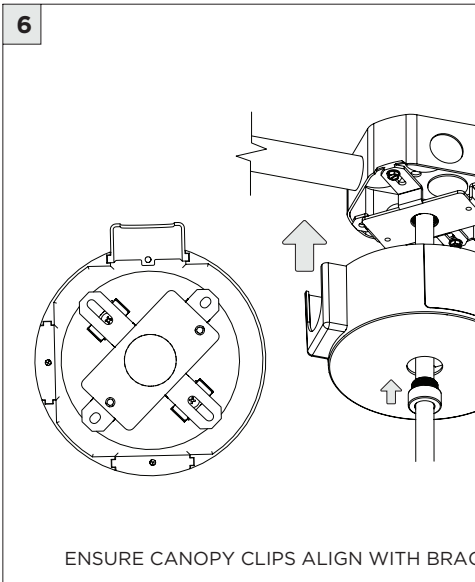
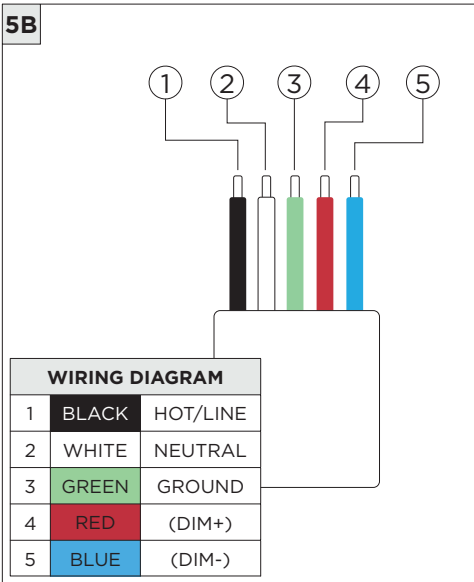
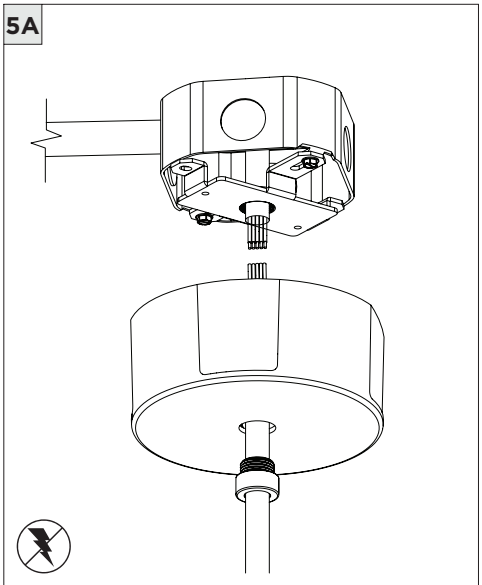
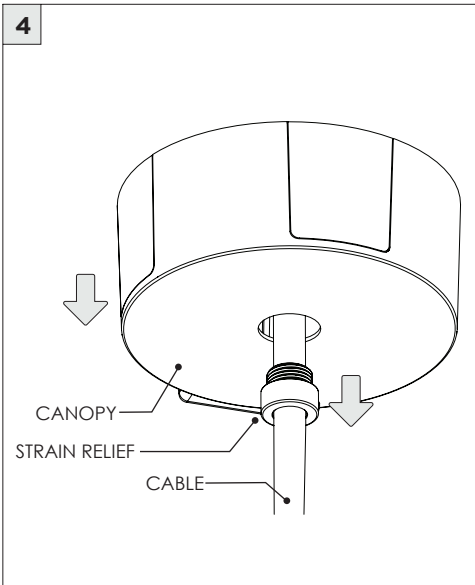
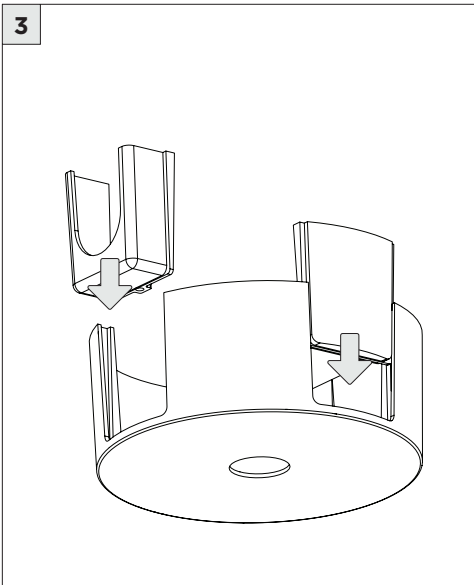
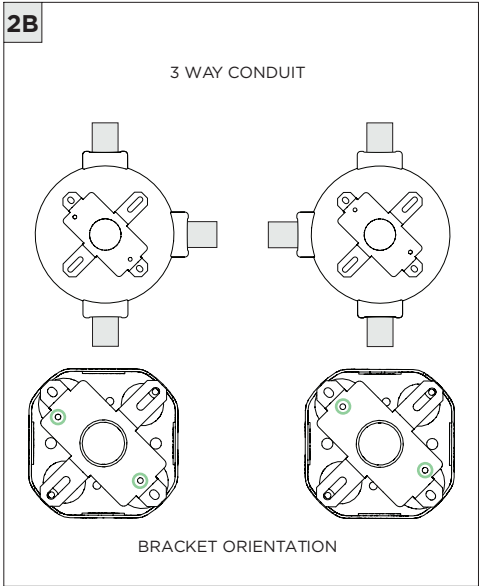
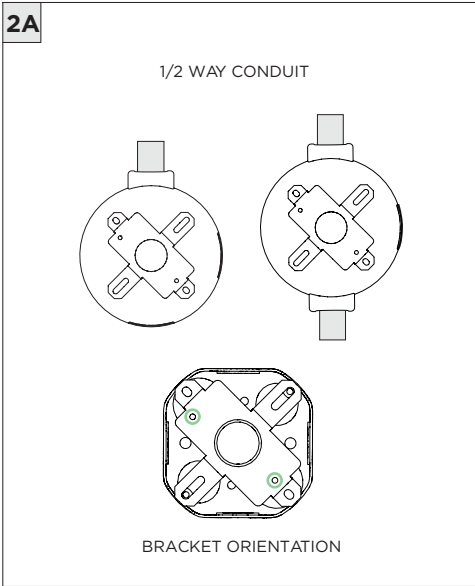
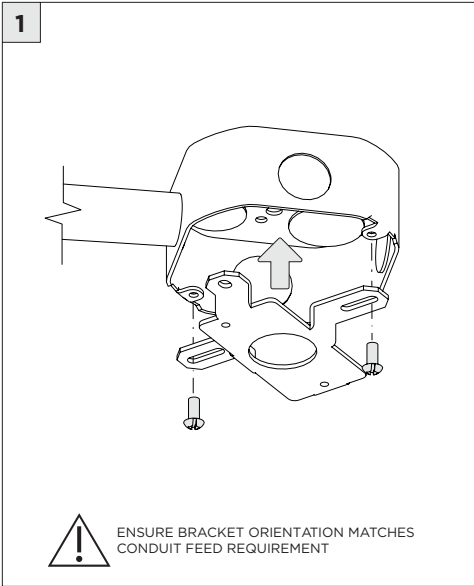
INSTRUCTION KEY

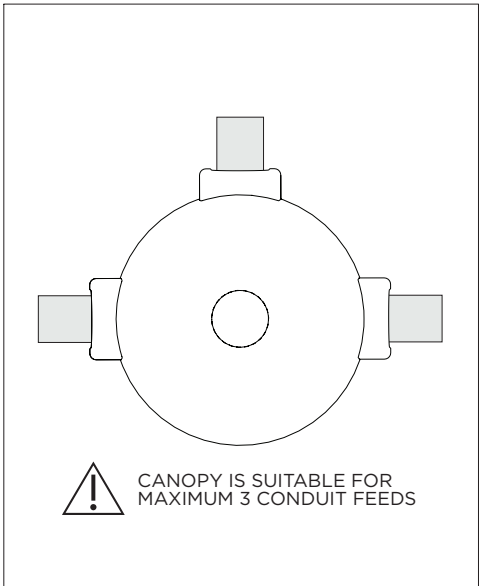
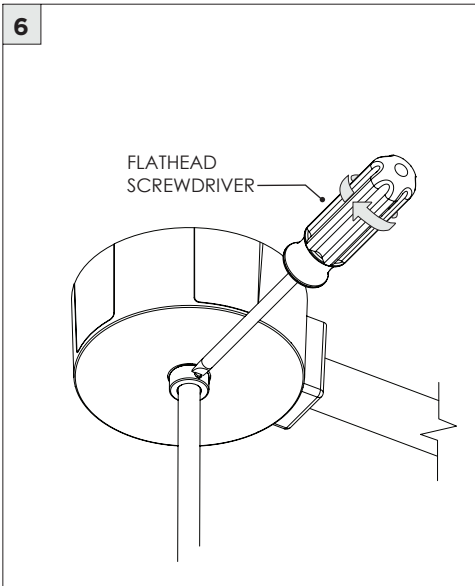
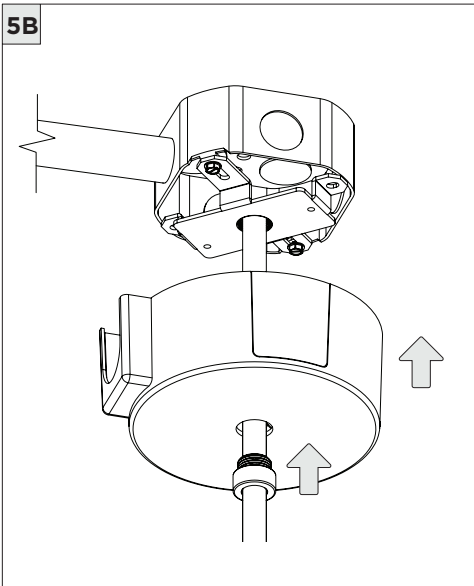
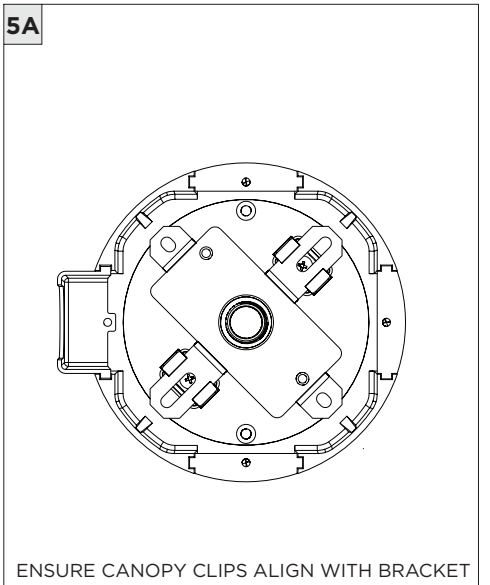
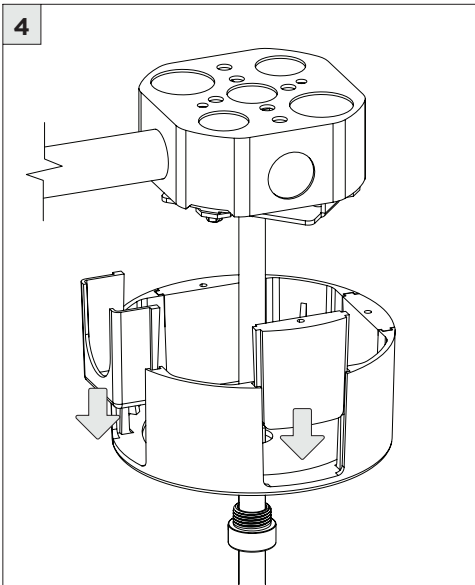
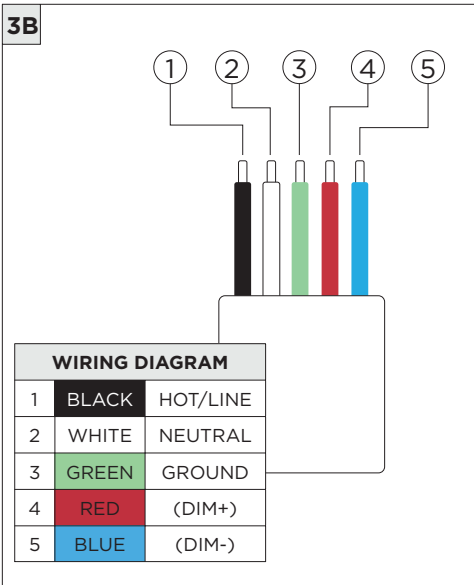
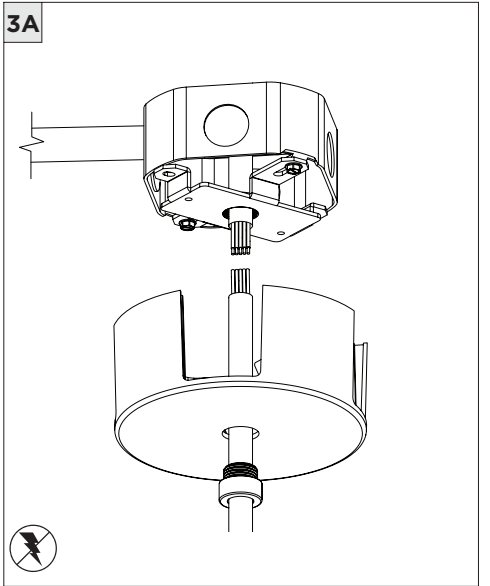
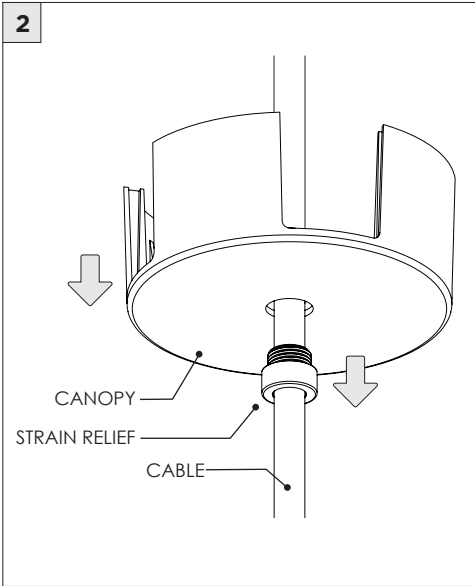
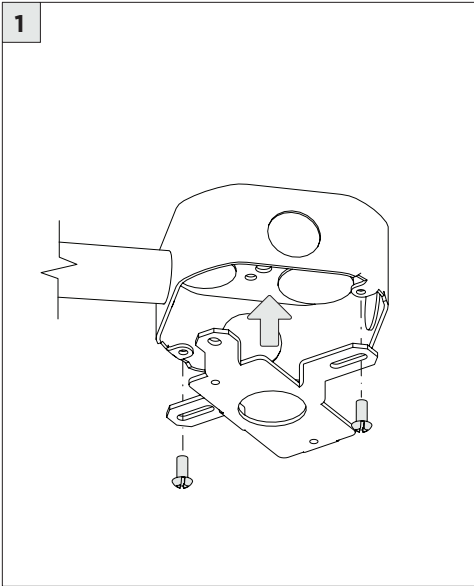
- ADDITIONAL
- ATTENTION
- POWER ON
- POWER OFF

INFORMATION

INSTALLATION SHOULD ONLY BE PERFORMED BY A CERTIFIED ELECTRICIAN
 REFER TO LOCAL/NATIONAL CODES FOR PROPER INSTALLATION
 FAILURE TO FOLLOW INSTALLATION INSTRUCTION MAY VOID THE WARRANTY
 DO NOT TOUCH LEDS. LEDS MUST BE PROTECTED FROM MECHANICAL STRESS OR DEBRIS
 TURN OFF POWER DURING INSTALLATION OR SERVICING

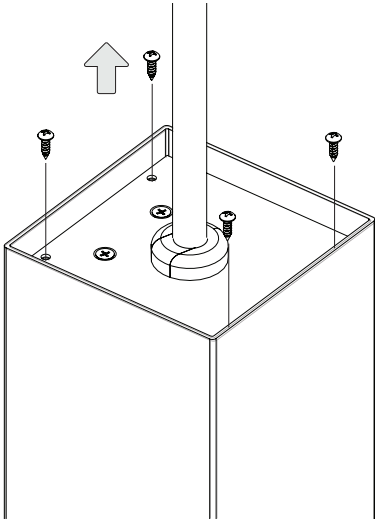




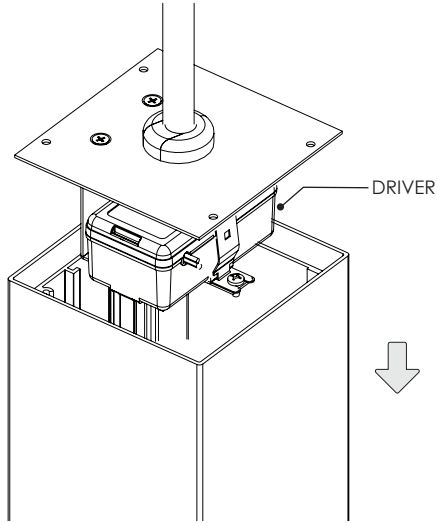


DRIVER SERVICING

1

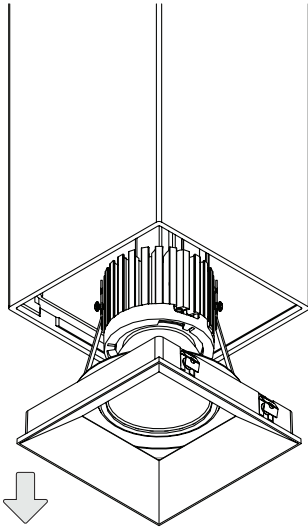


2

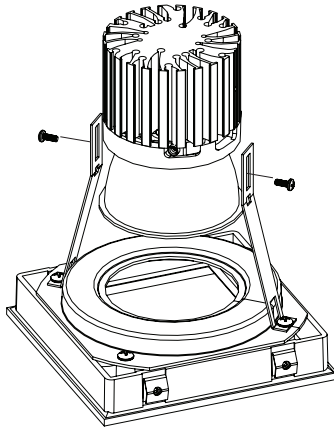


LED SERVICING

1



2



3

