

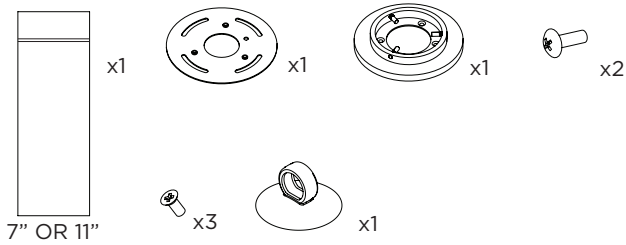
## 3.3" DOWNLIGHT CYLINDER

SURFACE MOUNT

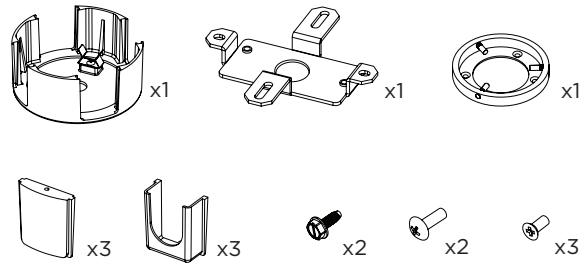


### COMPONENTS

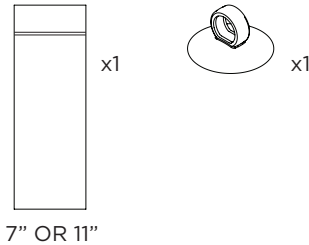
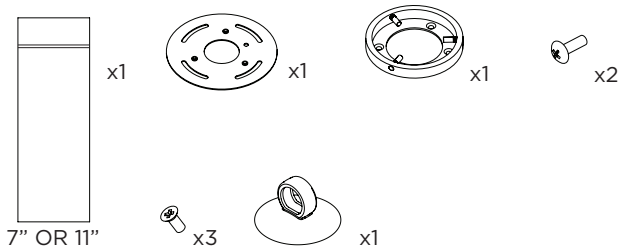
#### STANDARD CANOPY



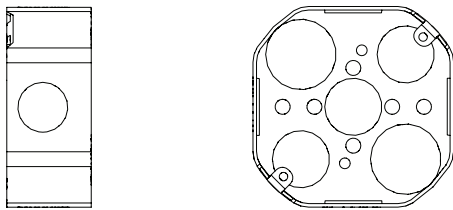
#### CONDUIT FEED CANOPY



#### SEAMLESS CANOPY (FOR NEW CONSTRUCTION ONLY)

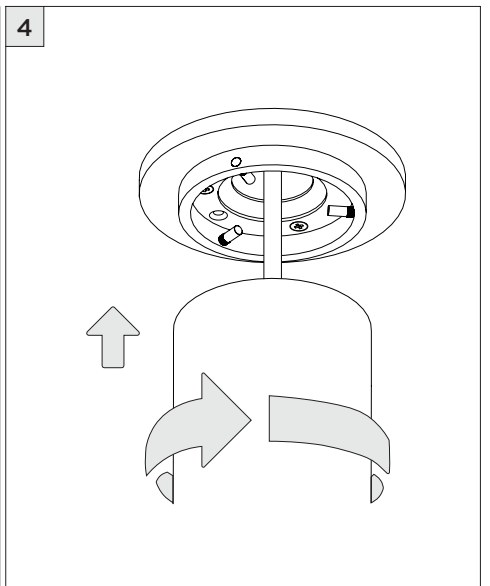
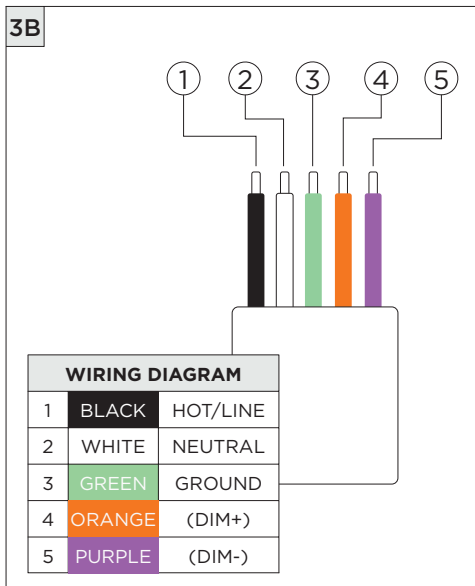
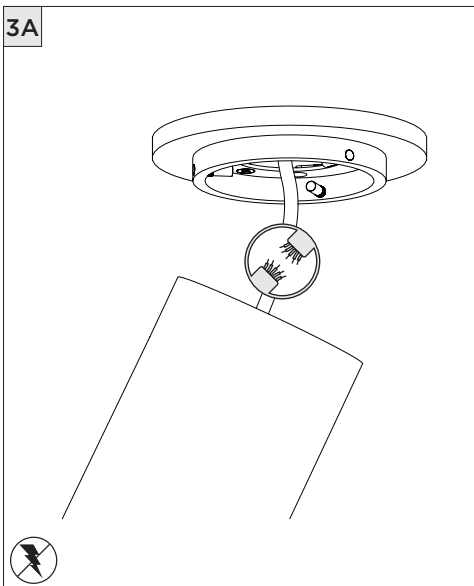
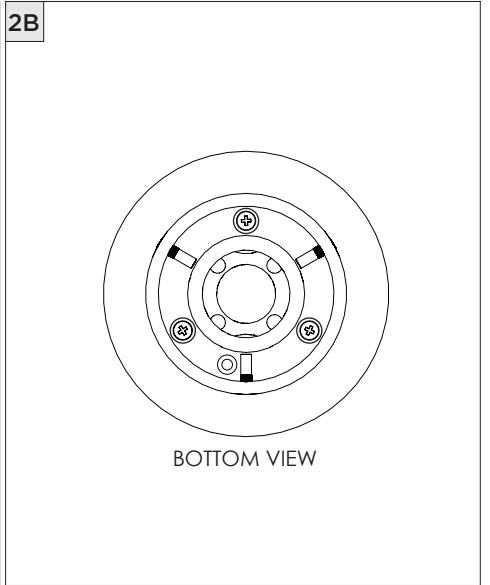
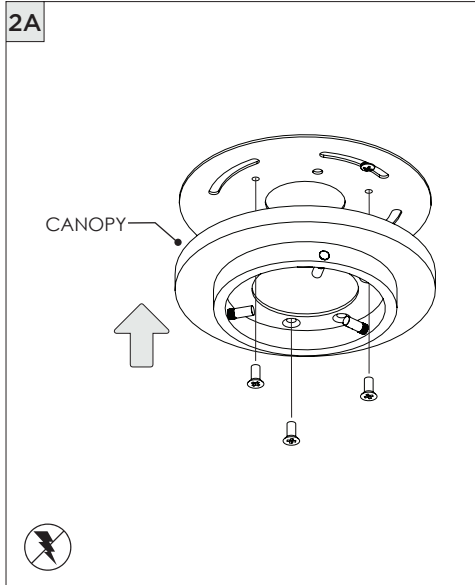
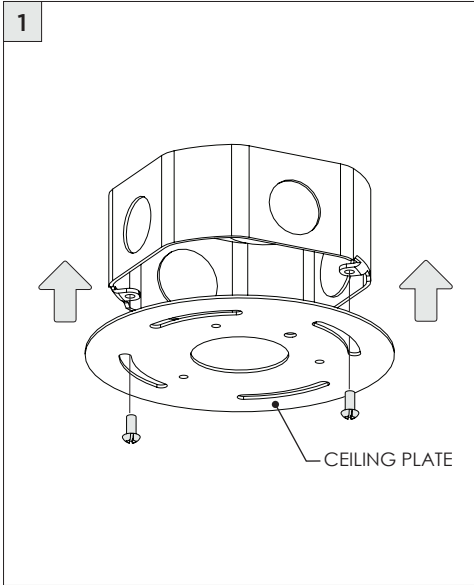


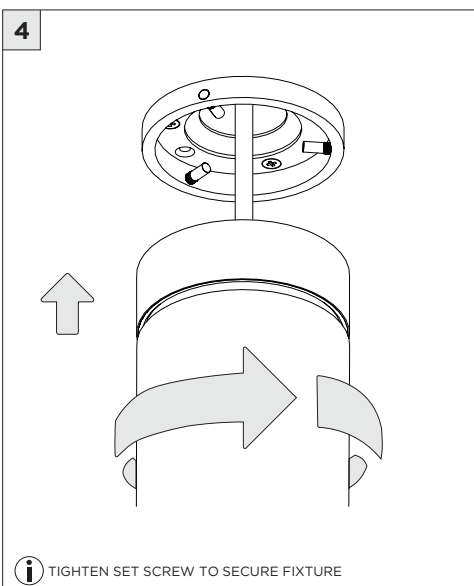
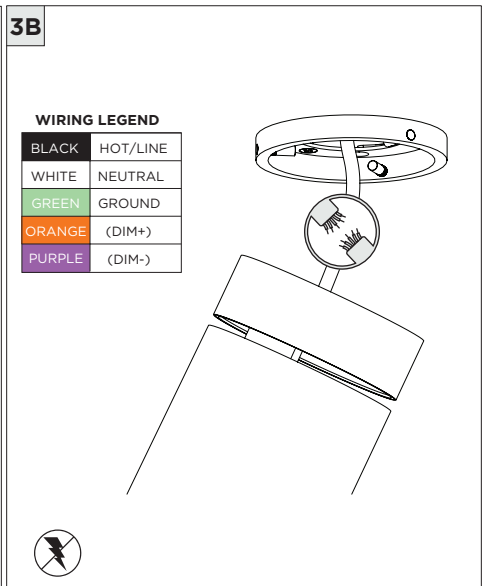
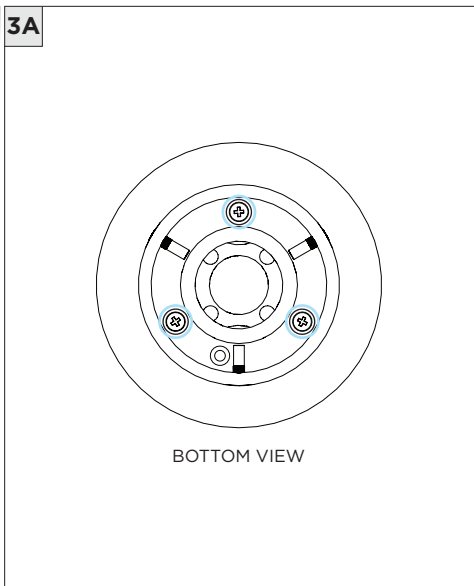
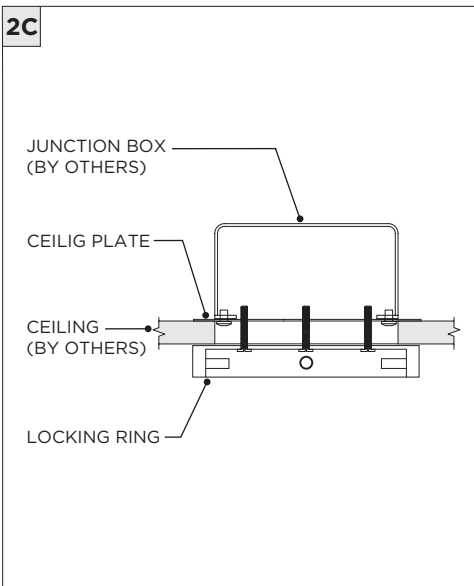
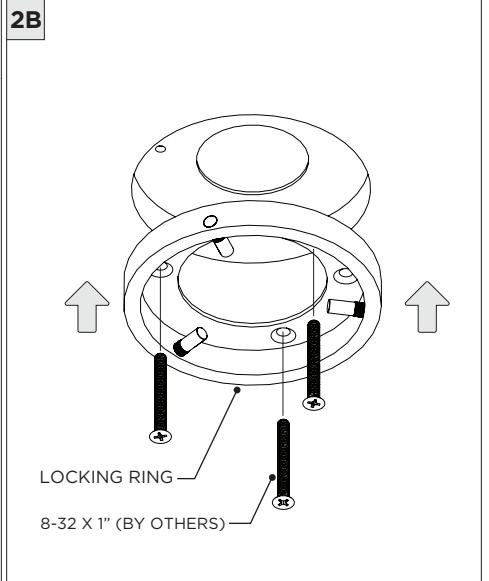
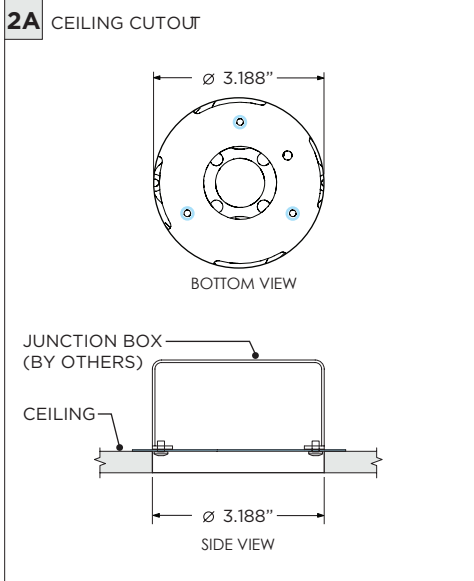
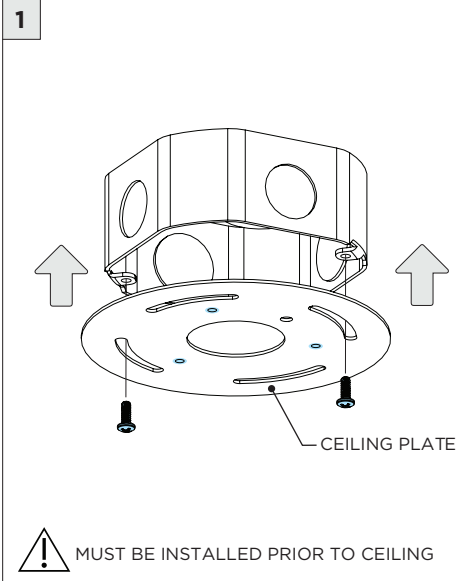
#### 4" OCTAGONAL J-BOX REQUIRED FOR INSTALLATION

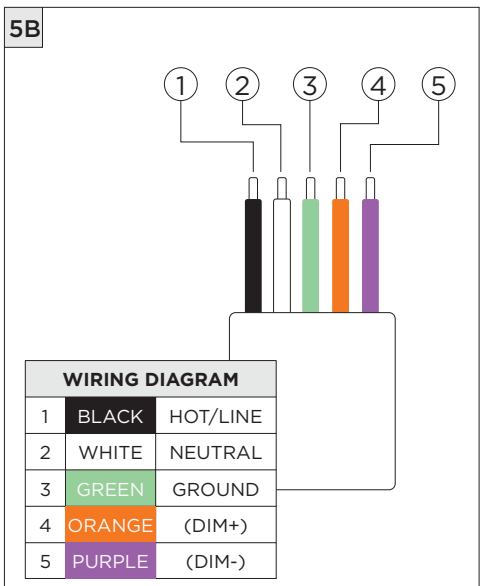
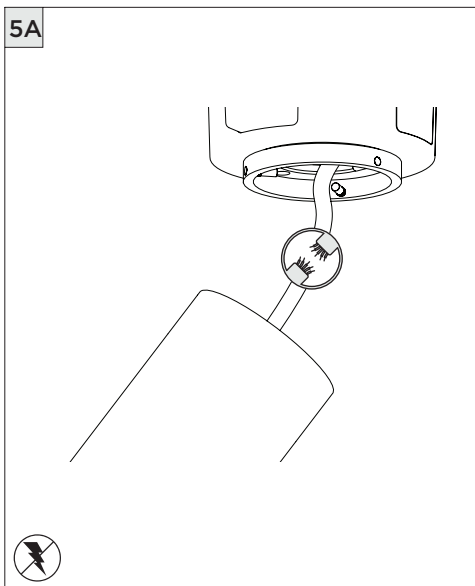
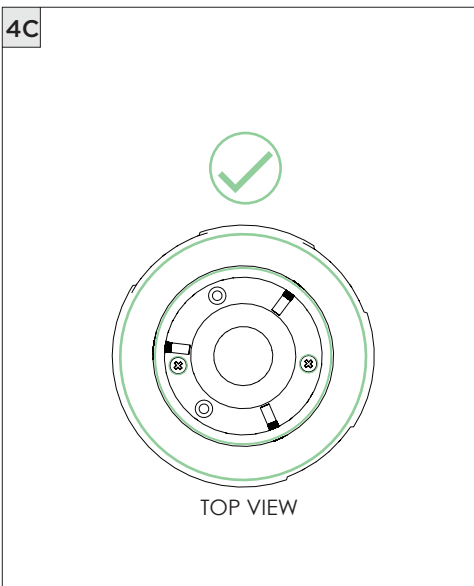
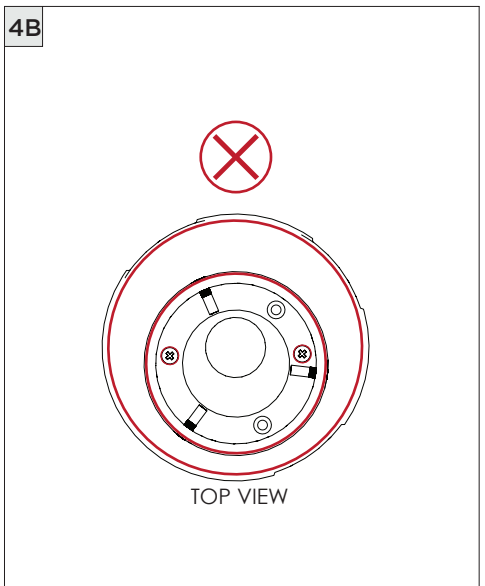
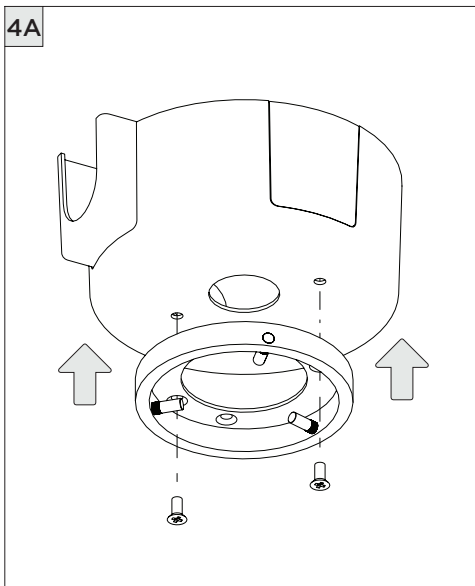
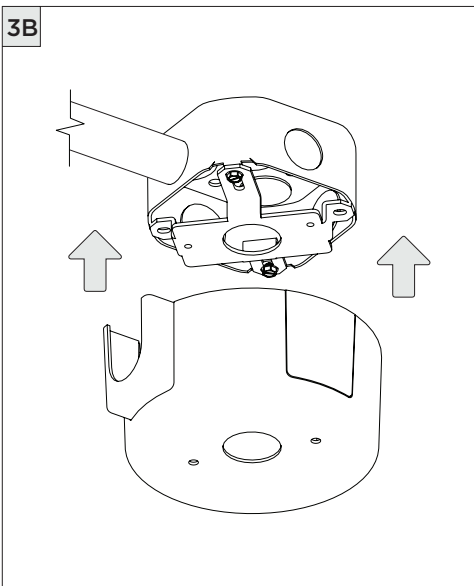
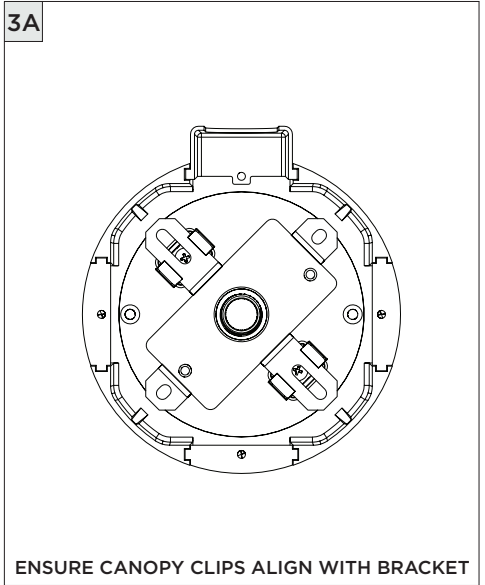
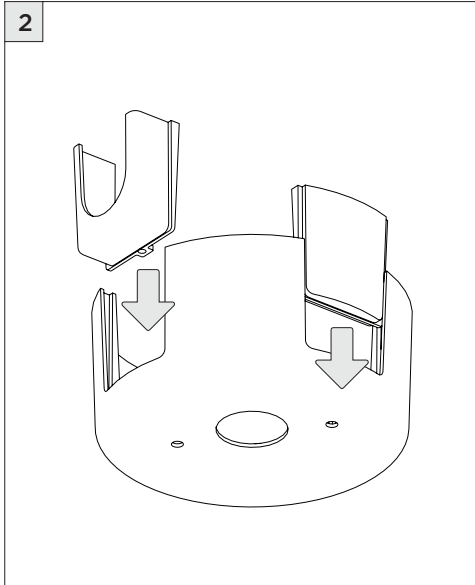
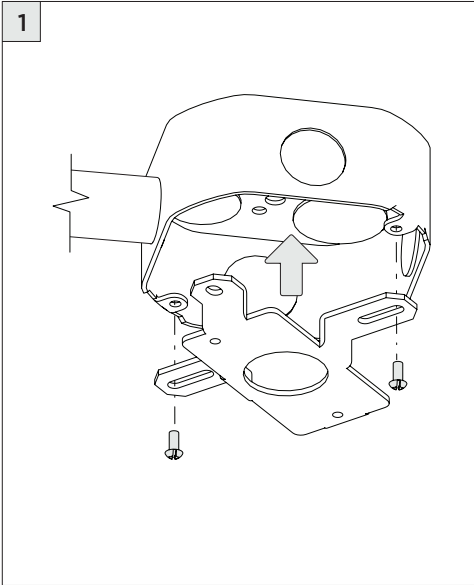


JUNCTION BOX (BY OTHERS)

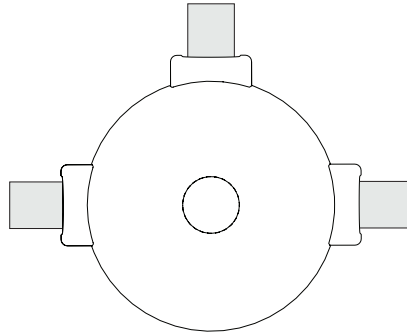
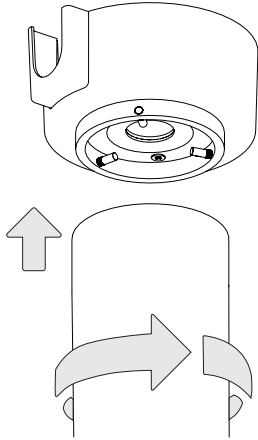
INSTRUCTION KEY	INFORMATION
⚠️ ADDITIONAL	INSTALLATION SHOULD ONLY BE PERFORMED BY A CERTIFIED ELECTRICIAN
ⓘ ATTENTION	REFER TO LOCAL/NATIONAL CODES FOR PROPER INSTALLATION
⚡ POWER ON	FAILURE TO FOLLOW INSTALLATION INSTRUCTION MAY VOID THE WARRANTY
⏏️ POWER OFF	DO NOT TOUCH LEDS. LEDS MUST BE PROTECTED FROM MECHANICAL STRESS OR DEBRIS TURN OFF POWER DURING INSTALLATION OR SERVICING



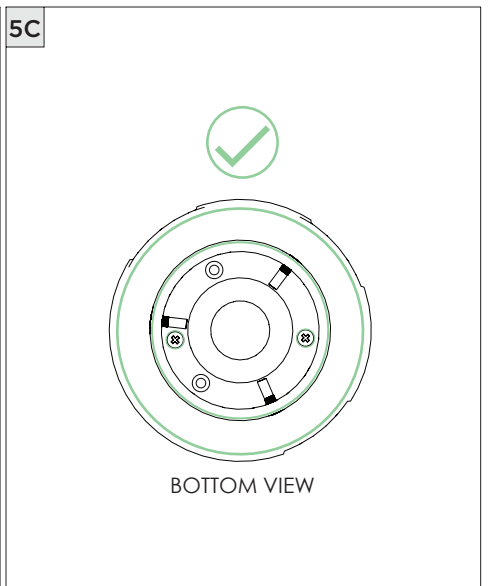
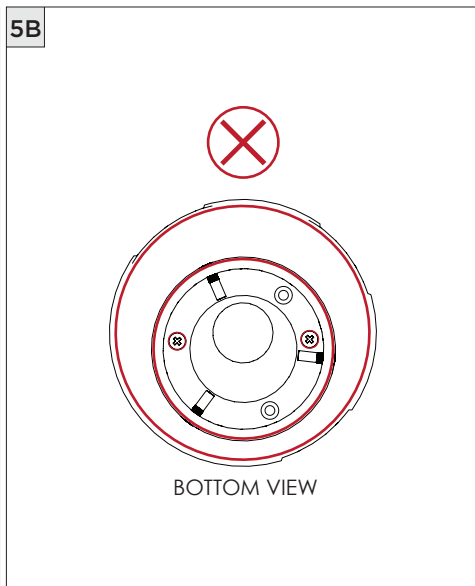
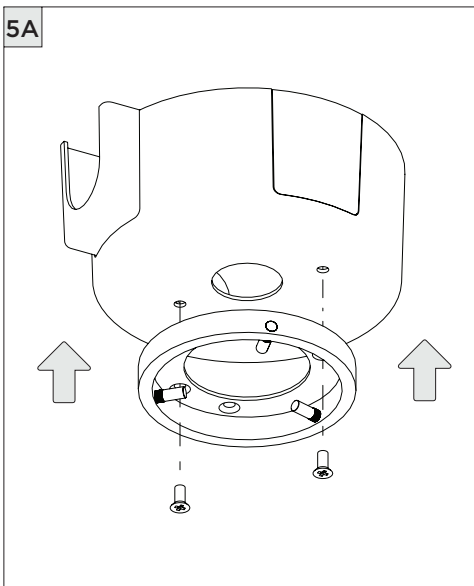
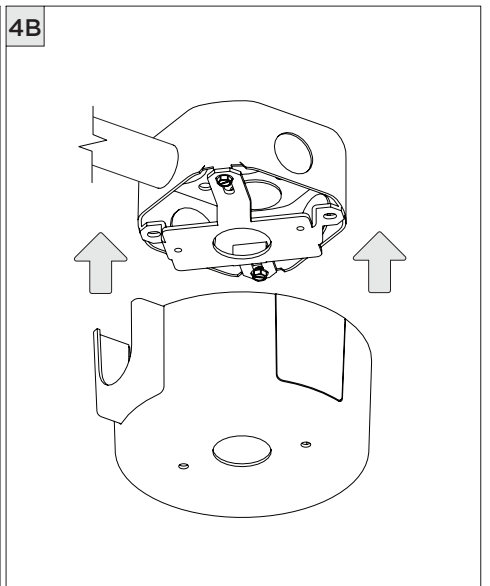
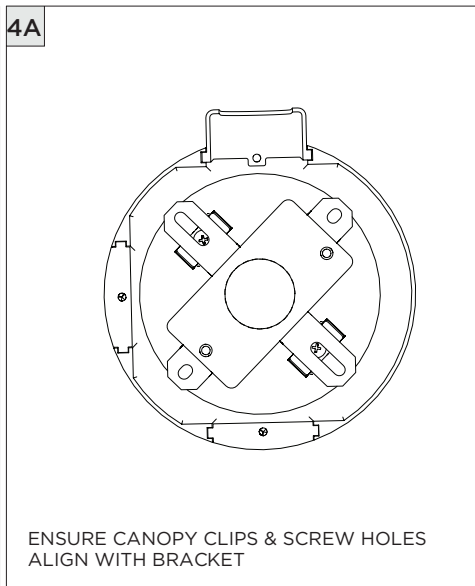
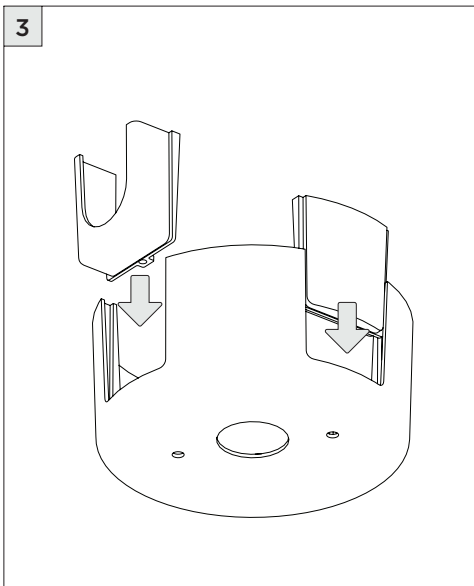
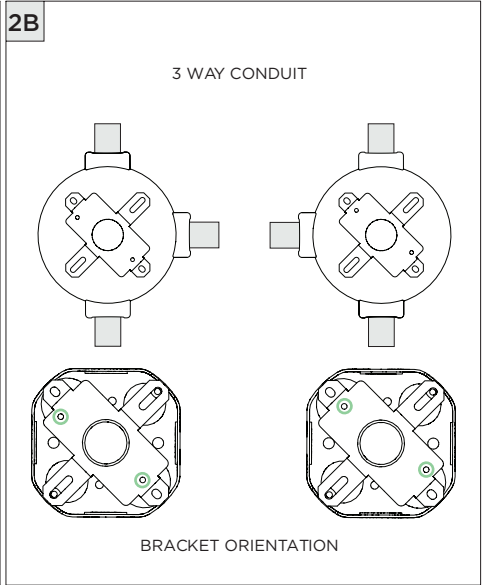
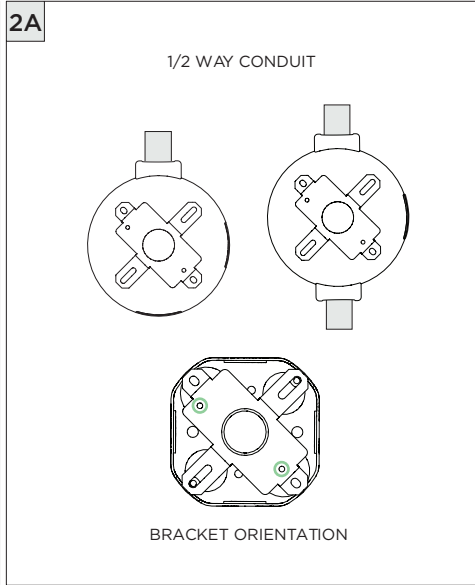
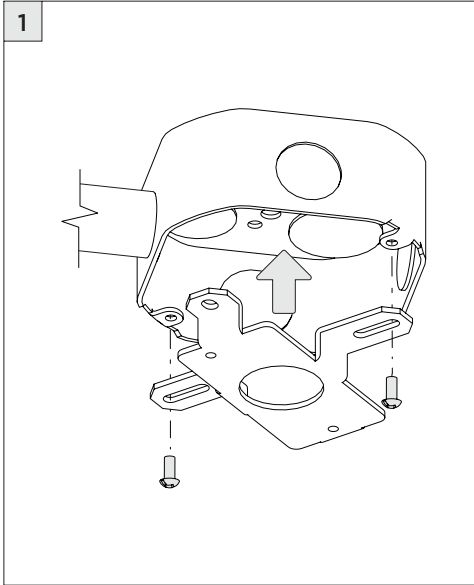




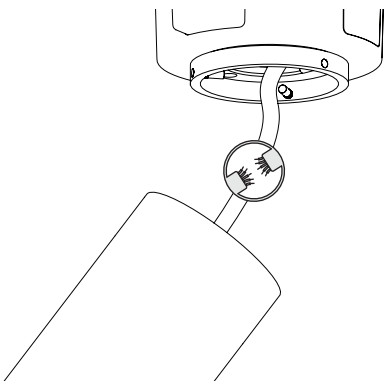
6



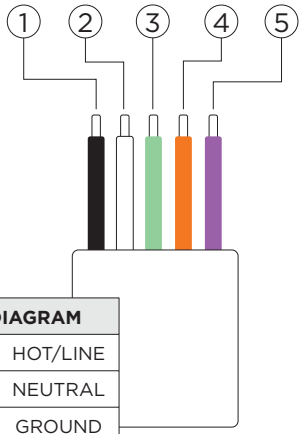
CANOPY IS SUITABLE FOR  
MAXIMUM 3 CONDUIT FEEDS



6A

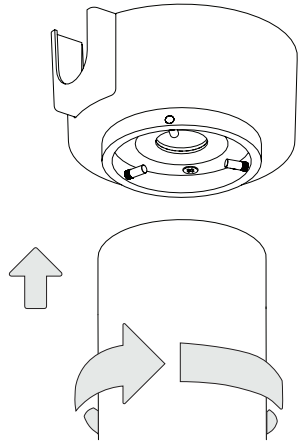


6B

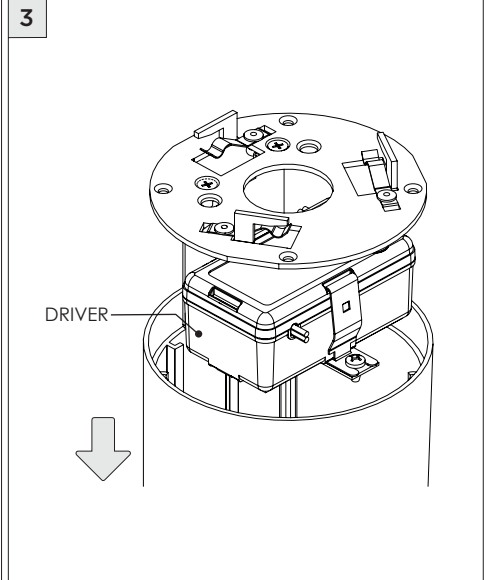
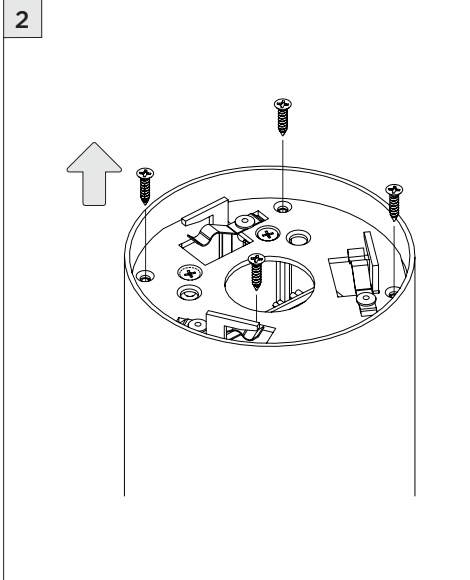
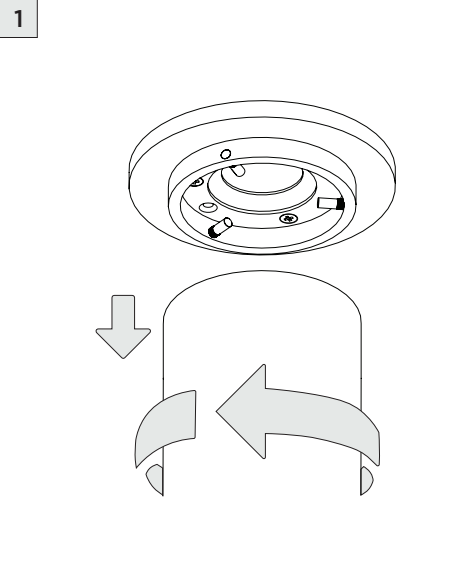


WIRING DIAGRAM		
1	BLACK	HOT/LINE
2	WHITE	NEUTRAL
3	GREEN	GROUND
4	ORANGE	(DIM+)
5	PURPLE	(DIM-)

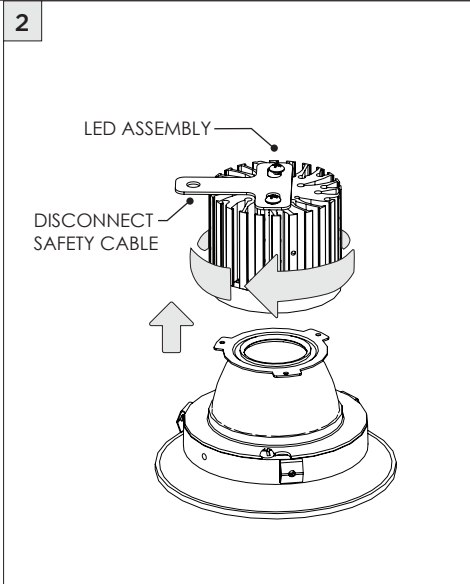
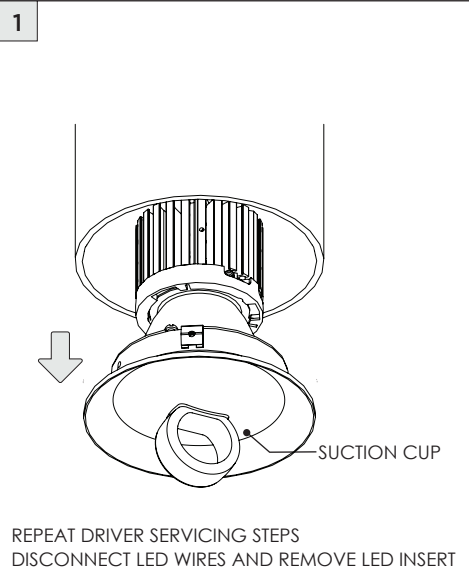
7



**DRIVER SERVICING**



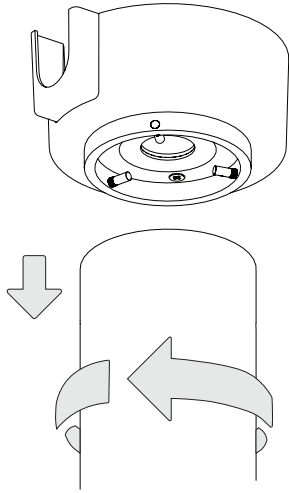
**LED SERVICING**



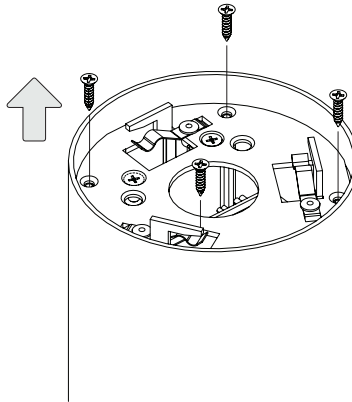


**DRIVER SERVICING**

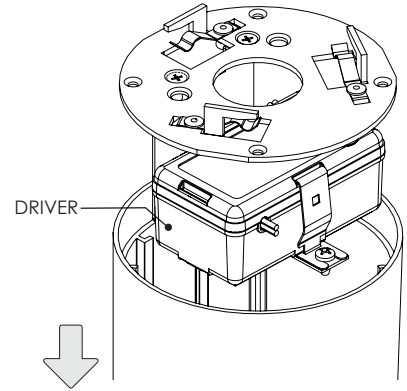
1



2

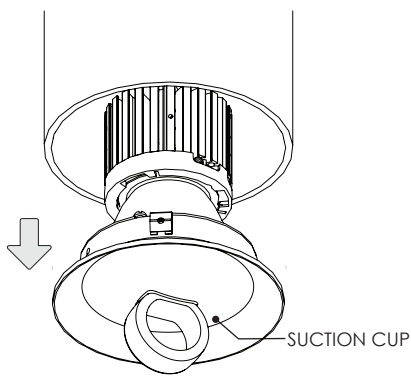


3



**LED SERVICING**

1



REPEAT DRIVER SERVICING STEPS  
DISCONNECT LED WIRES AND REMOVE LED INSERT

2

