

# 3G LIGHTING

## 3G-SDL33RF

3.3" DOWNLIGHT CYLINDER  
7" AND 11" HEIGHT



3.3" diameter high performance cylinders  
Companion to 3G-DL33R series downlight family  
Extruded aluminum housing with powder coated finish  
Regressed LED source for enhanced glare control  
Lumen range up to 2200lm (80+, 90+, and 97+ CRI options)  
1% dimming standard with several integral driver options

<b>PROJECT:</b>		<b>TYPE:</b>	
<b>CATALOG#:</b>		<b>DATE:</b>	<b>QTY:</b>

CAT. NO	FIXTURE HEIGHT	LUMEN OUTPUT	CRI	COLOR TEMP	BEAM ANGLE
<b>3G-SDL33RF</b>	<b>7H</b> - 7" HEIGHT *	<b>10</b> - 1000 LUMENS	<b>S80</b> - 80+ CRI <sup>1</sup>	<b>27K</b> - 2700K	<b>20D</b> - 20°
	<b>11H</b> - 11" HEIGHT	<b>15</b> - 1500 LUMENS	<b>H90</b> - 90+ CRI	<b>30K</b> - 3000K	<b>40D</b> - 40°
		<b>22</b> - 2200 LUMENS	<b>H97</b> - 97+ CRI <sup>1</sup>	<b>35K</b> - 3500K <b>40K</b> - 4000K	<b>60D</b> - 60° <b>90D</b> - 90°
	*7H available up to 1500lm with integral driver (DIM & LE options). Select remote driver option for higher lumen outputs				

VOLTAGE	DRIVER	HOUSING FINISH	INSERT FINISH
<b>UNV</b> - 120/277V <b>120</b> - 120V <b>347</b> - 347V <sup>2</sup>	<b>DIM</b> - 0-10V (100-1%) <b>LE</b> - PHASE DIMMING <sup>3</sup> (TRIAC/ELV, 100-1%) <b>D01</b> - 0-10V (100-0.1%) <b>DALI</b> - DALI (100-1%) <sup>4</sup> <b>DHL2</b> - LUTRON HI-LUME (1% ECOSYSTEM) <b>DMX</b> - DMX (100-0%) <b>RDIM</b> - REMOTE 0-10 (100-1%) <b>RLE</b> - REMOTE PHASE (TRIAC/ELV, 100-1%)	<b>WH</b> - WHITE <b>BK</b> - BLACK <b>SV</b> - SILVER <b>CF</b> - CUSTOM RAL COLOR	<b>WI</b> - WHITE <b>BI</b> - BLACK <b>SI</b> - SILVER <b>CI</b> - CUSTOM RAL COLOR
<small>*Not available with 7H model</small>	<small>Remote drivers supplied with enclosure</small>		

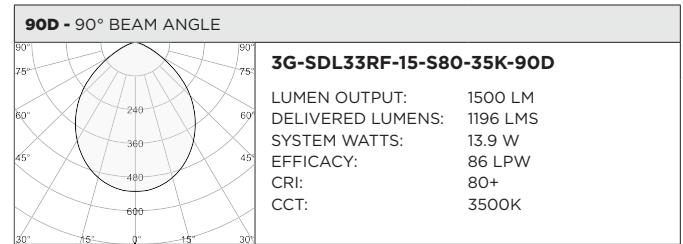
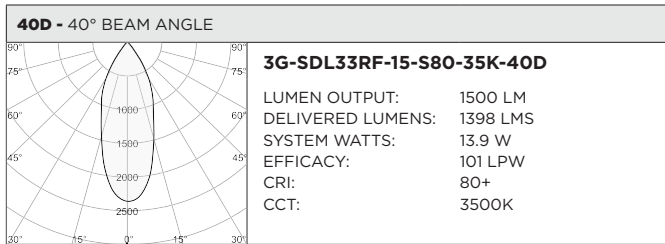
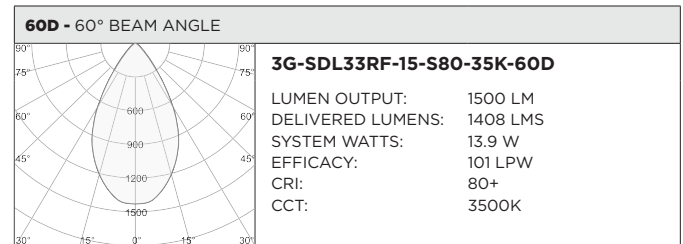
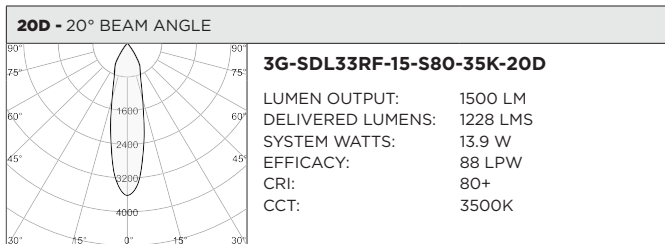
OPTIONS
<b>LS</b> - LINEAR SPREAD LENS
<b>SB</b> - SANDBLASTED LENS
<b>SF</b> - SOFTENING LENS (SUPPLIED STANDARD)
<b>CFW</b> - WHITE CONDUIT FEED CANOPY
<b>CFB</b> - BLACK CONDUIT FEED CANOPY
<b>CFS</b> - SILVER CONDUIT FEED CANOPY
<b>FXC</b> - SEAMLESS CANOPY OPTION
<b>EMR</b> - EMERGENCY BATTERY (REMOTE) <sup>5</sup>
<small>Maximum 1 optical accessory Not available with 90D reflector option</small>

- <sup>1</sup> S80 not available in 27K. H97 available in 30K and 35K as standard
- <sup>2</sup> 347 available in "DIM" 0-10V and "RDIM" 0-10V only (100-1%). Not available with 7H model
- <sup>3</sup> Phase dimming options available in 120V only
- <sup>4</sup> DALI-2 (Type 6) provided as standard. Consult factory for DALI Type 8 option
- <sup>5</sup> Emergency battery installed remotely by others. Not accessible through the inside of the fixture

BASED ON 60° BEAM ANGLE AND 3500K SOURCE

LUMEN OUTPUT	80+ CRI			90+ CRI			97+ CRI		
	DELIVERED LUMENS	SYSTEM WATTS	EFFICACY (LPW)	DELIVERED LUMENS	SYSTEM WATTS	EFFICACY (LPW)	DELIVERED LUMENS	SYSTEM WATTS	EFFICACY (LPW)
<b>1000LMs</b>	1080	10.3	105	950	10.3	92	886	10.3	86
<b>1500LMs</b>	1408	13.9	101	1239	13.9	89	1155	13.9	83
<b>2200LMs</b>	2132	21.9	97	1876	21.9	86	1748	21.9	80

LUMEN OUTPUT MULTIPLIER: 27K=0.94, 30K=0.97, 35K=1.00, 40K=1.01



**HOUSING**

Extruded aluminum housing with powder coated finish  
 Twist and lock construction with no visible hardware

**BEVELED INSERT**

3.3" aperture with regressed LED source for enhanced glare control  
 Cast aluminum insert with matte powder coated finish

**OPTICS**

Proprietary anodized, aluminum reflectors are field replaceable (20° reflector not interchangeable)  
 Available in 20°, 40°, 60° and 90°

**LISTING**

ETL listed and conforms to UL1598 standard. Certified to CSA22.2 No.250.0.  
 Rated for indoor dry or damp locations

**WARRANTY**

5 Year Warranty on LED and drivers  
 Manufacturer 1 Year Warranty for defects in material and workmanship under normal use  
 Ambient temperature at fixture should not exceed 25°C

**ELECTRICAL**

Standard 0-10V, constant current drivers with 100-1% dimming range and >0.9 power factor  
 120V Forward Phase/Reverse Phase driver option with 100-1% dimming range  
 Standard 120/277V universal voltage with several driver options  
 All drivers are integral and easily accessible through luminaire aperture  
 7" models include 0-10V drivers that operate only with dimmers that sink current (not designed for source current)  
 Compatible 0-10V dimmers for all 7" height models listed below:  
**Lutron** NFTV, **Lutron** DDTV , **Lutron** DVSTV, **Lutron** VIVE RMJS-8TN, **Leviton** IP710-DLZ, **Philips** SR1200ZTUNV, **Cooper** SF10P

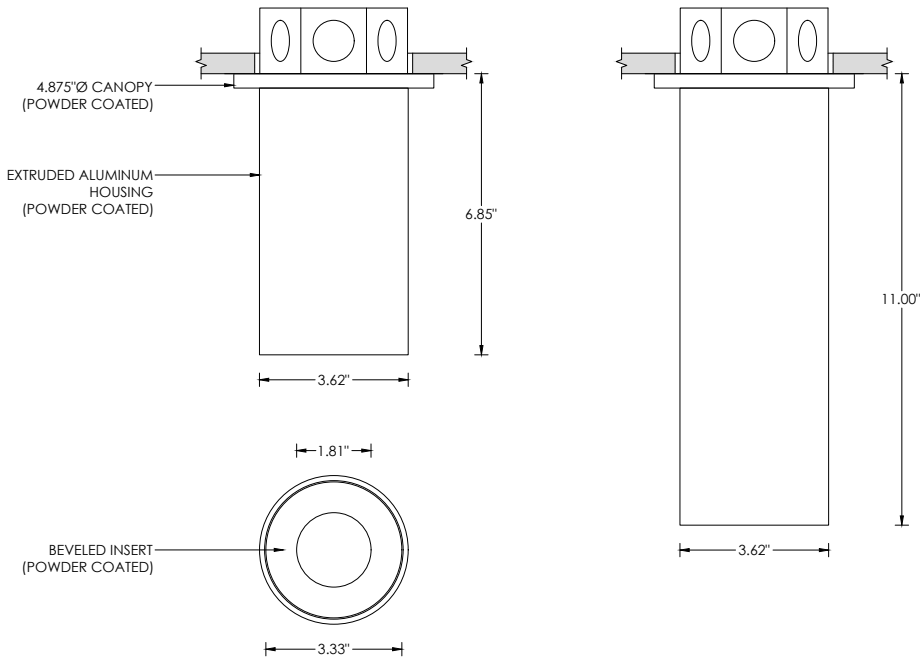
**LED SYSTEM**

Citizen LED module (field replaceable)  
 Color consistency <2 SDCM  
 Standard (80+ CRI). Optional (90+ and 97+ CRI)  
 Available in 27K, 30K, 35K, and 40K  
 L90 >50,000 hours  
 5 Year Warranty

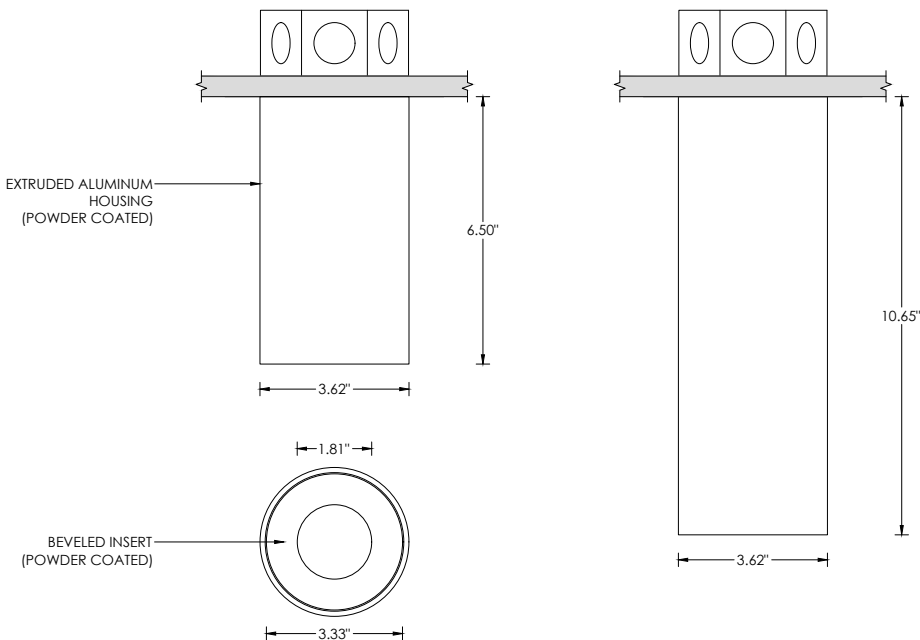
**MOUNTING**

All hardware included for mounting to 4" octagonal junction box  
 Conduit feed cut-out canopy option designed to mount to 4" octagonal junction box  
 Twist and lock mechanism

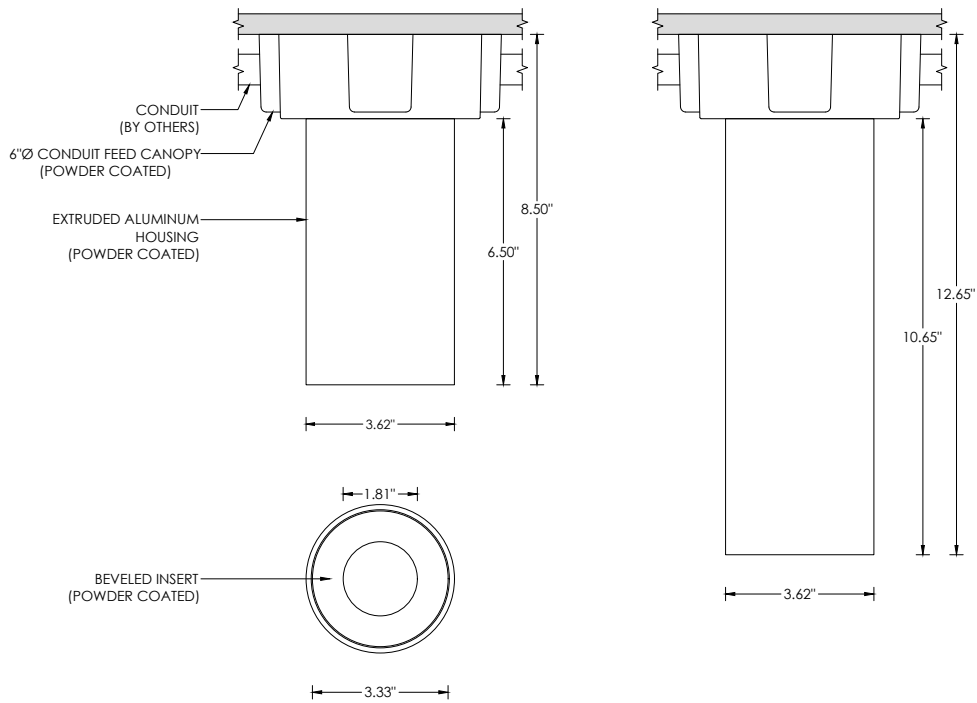
**RECESSED 4" OCTAGONAL JUNCTION BOX BY OTHERS**  
STANDARD CANOPY MOUNT



**RECESSED 4" OCTAGONAL JUNCTION BOX BY OTHERS**  
SEAMLESS CANOPY MOUNT (FXC OPTION) FOR NEW CONSTRUCTION ONLY



**SURFACE 4" OCTAGONAL X 1.5" DEEP JUNCTION BOX BY OTHERS**  
CONDUIT FEED CANOPY MOUNT (CFX OPTION)



**CONDUIT FEED CANOPY MOUNTING OPTIONS**

