

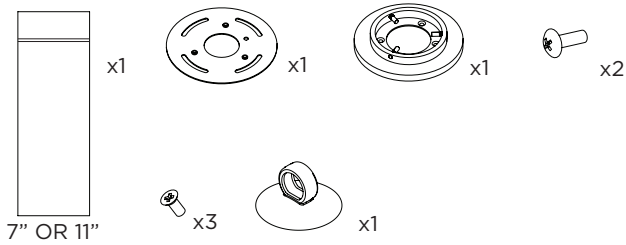
3.3" MICRO MADISON CYLINDER

SURFACE MOUNT

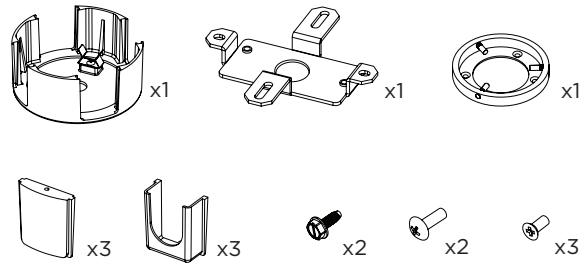


COMPONENTS

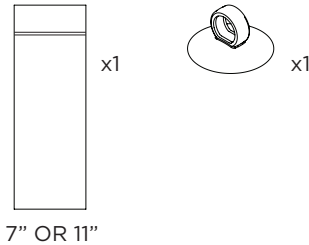
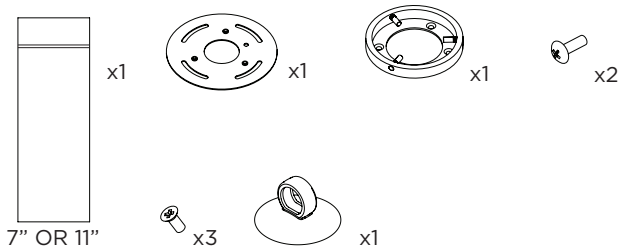
STANDARD CANOPY



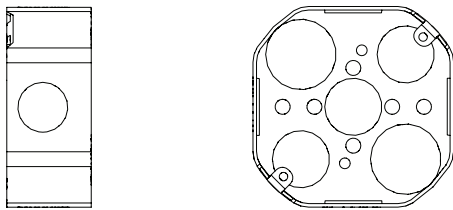
CONDUIT FEED CANOPY



SEAMLESS CANOPY (FOR NEW CONSTRUCTION ONLY)

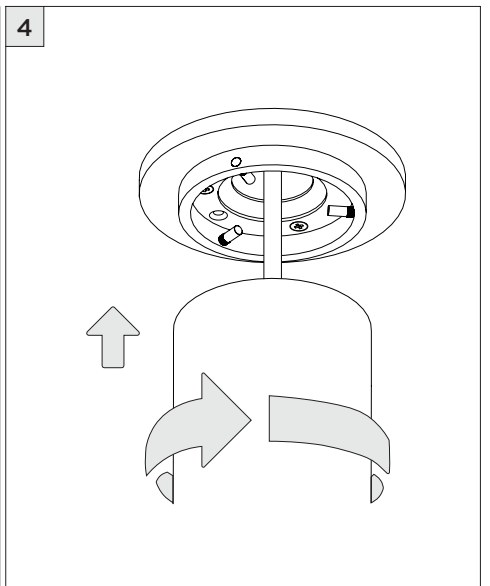
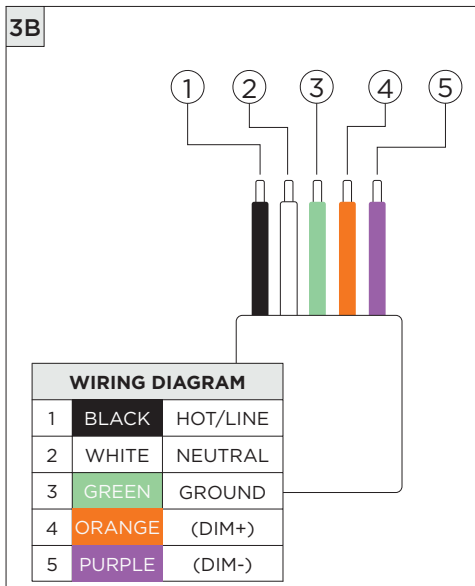
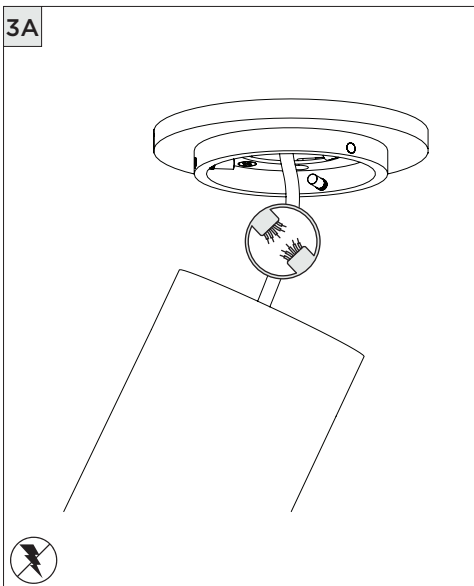
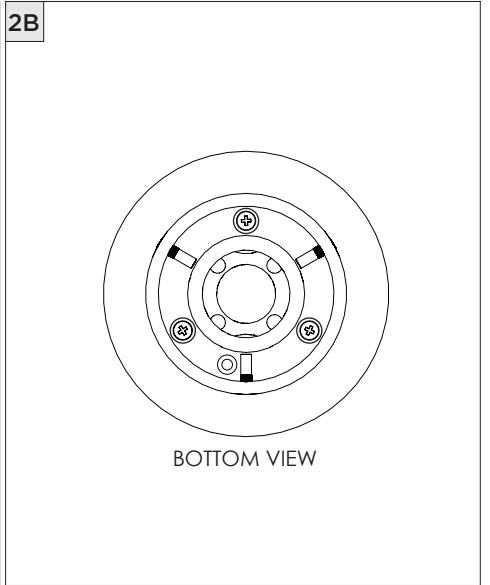
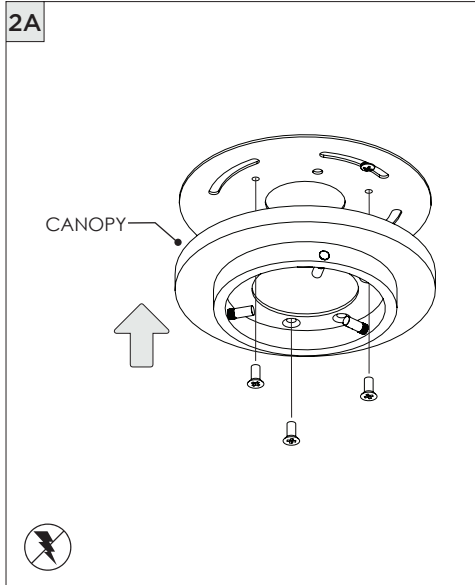
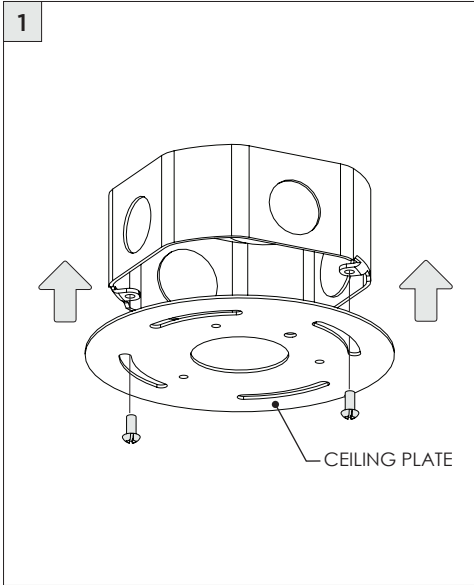


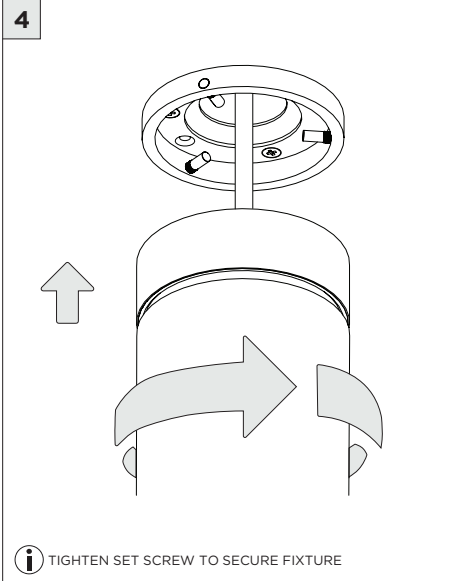
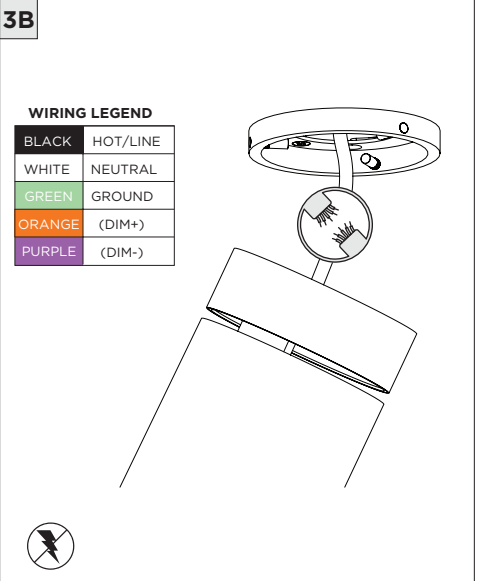
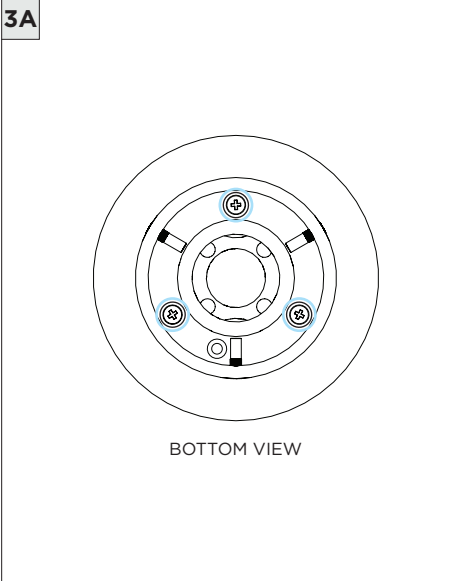
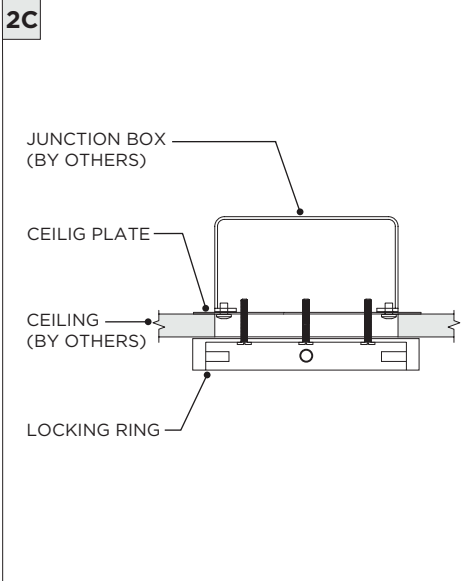
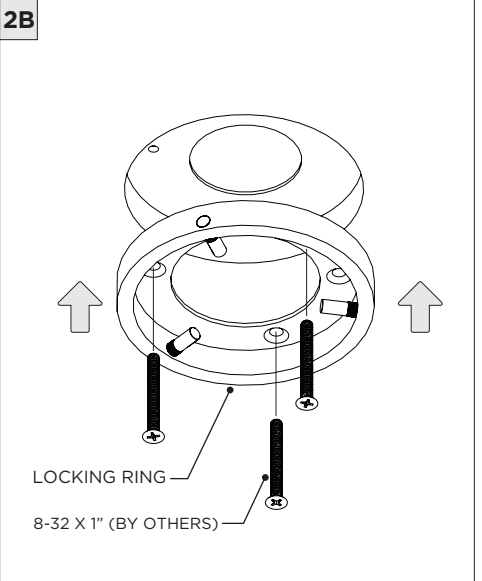
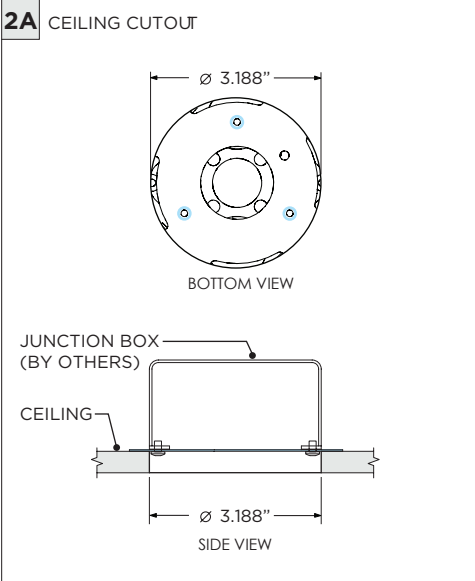
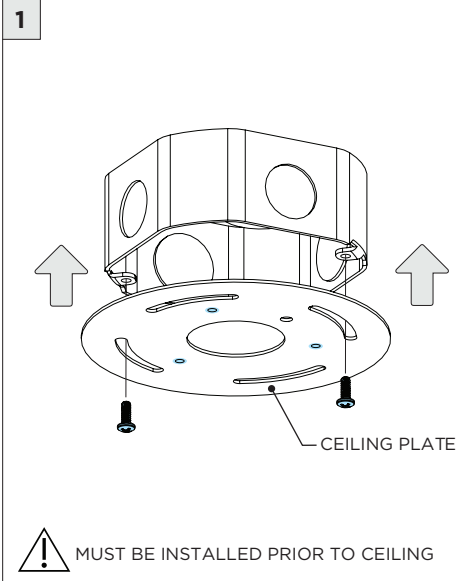
4" OCTAGONAL J-BOX REQUIRED FOR INSTALLATION

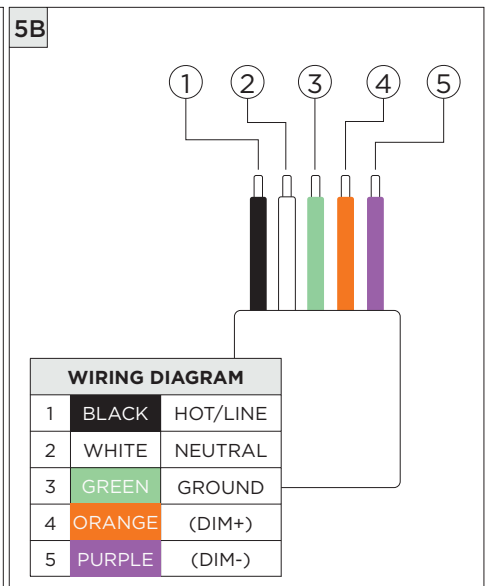
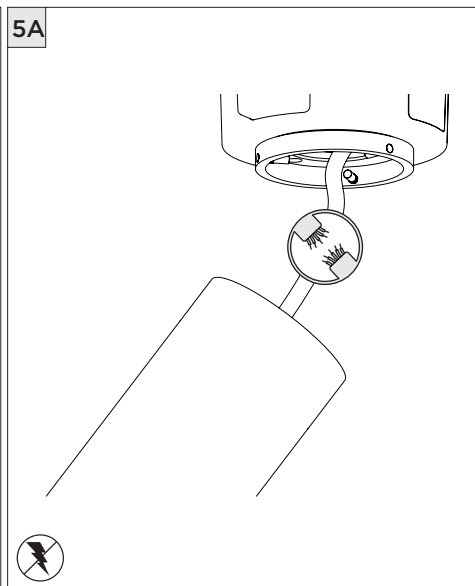
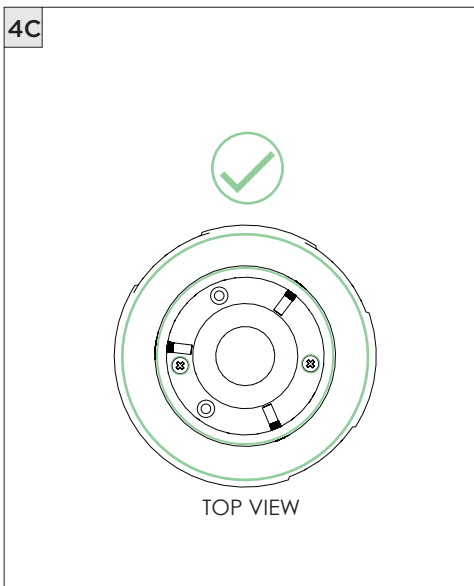
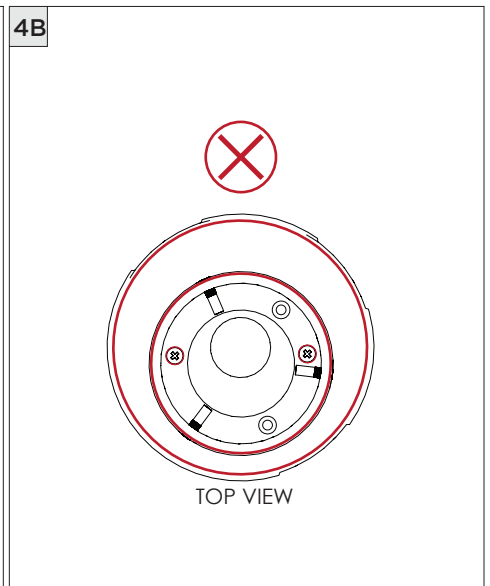
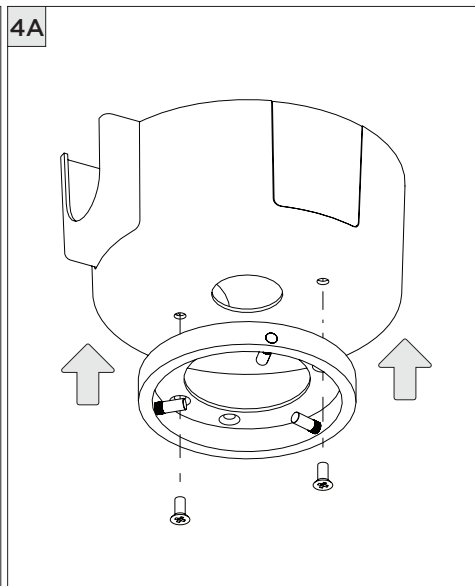
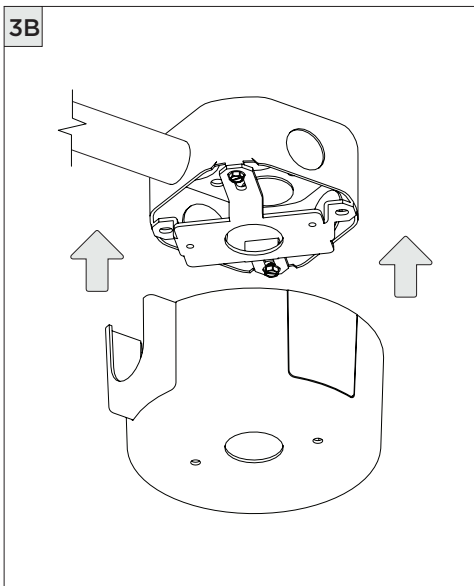
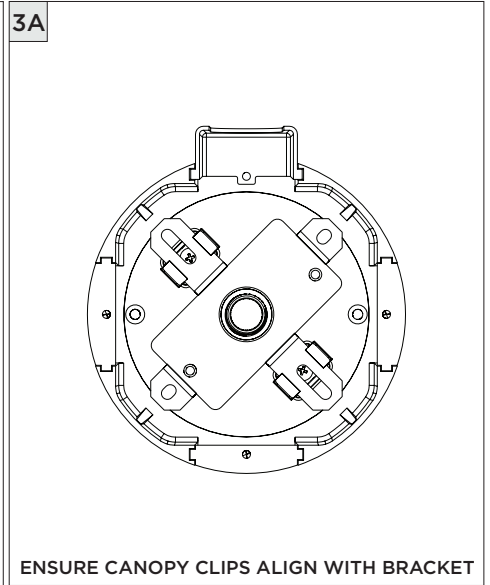
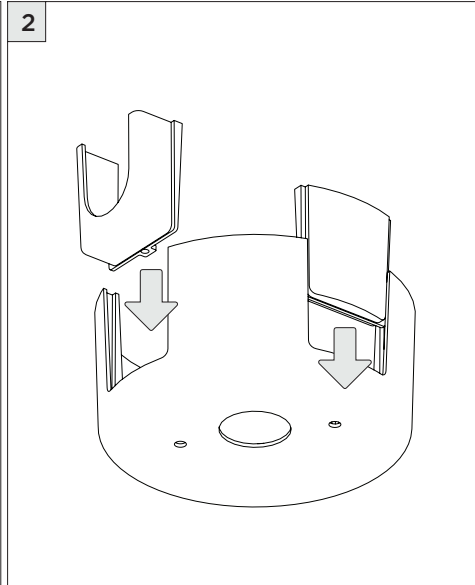
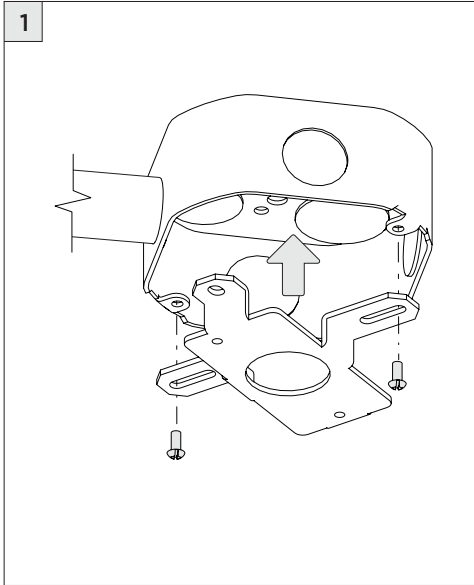


JUNCTION BOX (BY OTHERS)

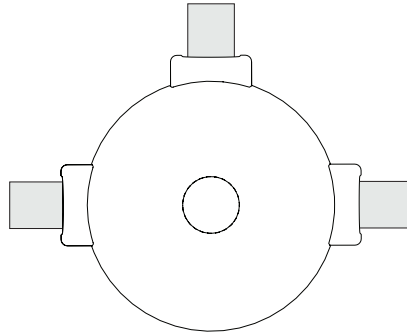
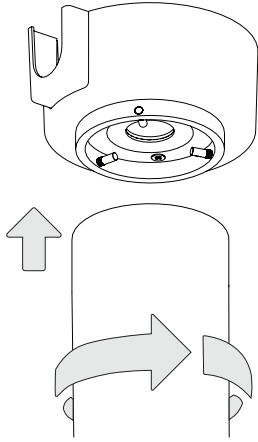
INSTRUCTION KEY	INFORMATION
ADDITIONAL	INSTALLATION SHOULD ONLY BE PERFORMED BY A CERTIFIED ELECTRICIAN
ATTENTION	REFER TO LOCAL/NATIONAL CODES FOR PROPER INSTALLATION
POWER ON	FAILURE TO FOLLOW INSTALLATION INSTRUCTION MAY VOID THE WARRANTY
POWER OFF	DO NOT TOUCH LEDS. LEDS MUST BE PROTECTED FROM MECHANICAL STRESS OR DEBRIS
	TURN OFF POWER DURING INSTALLATION OR SERVICING



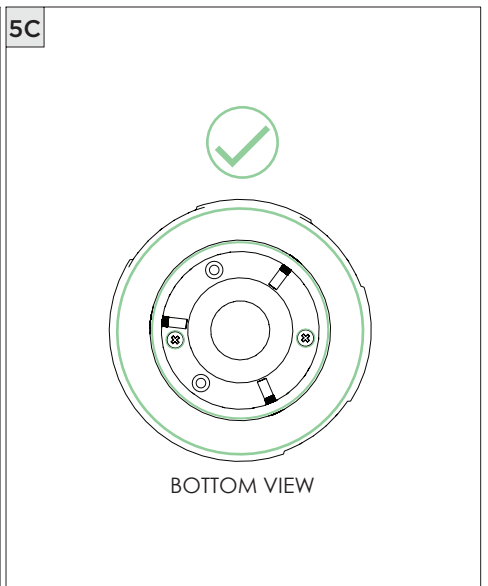
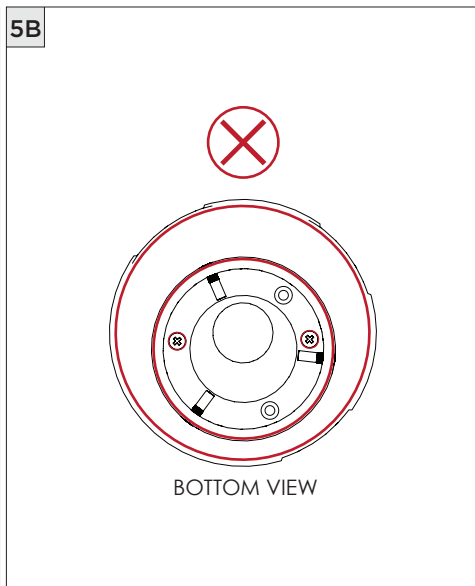
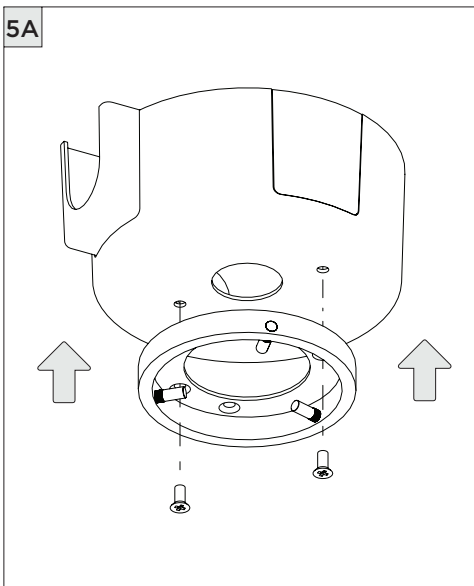
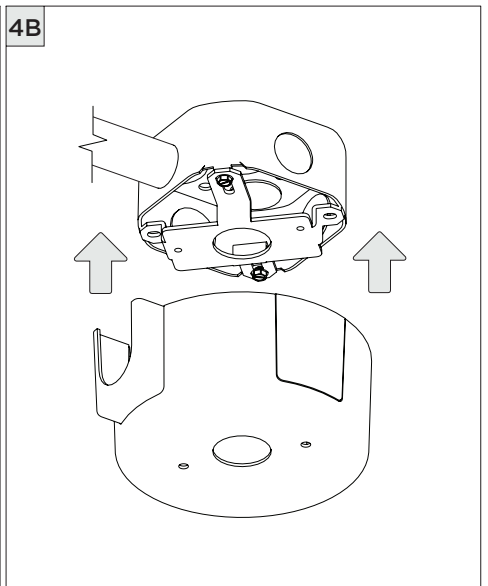
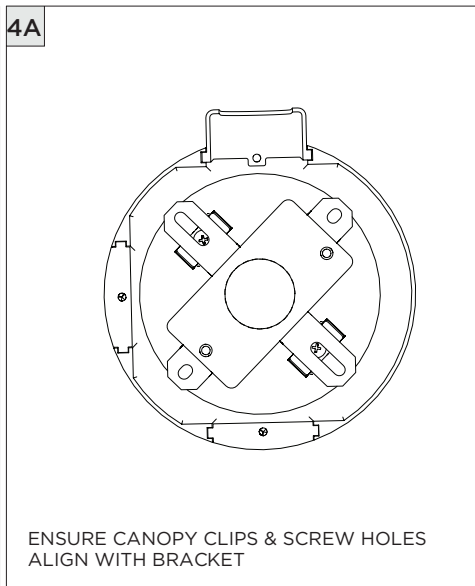
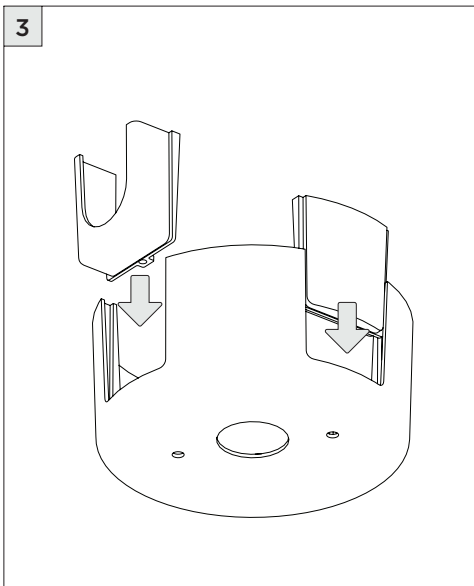
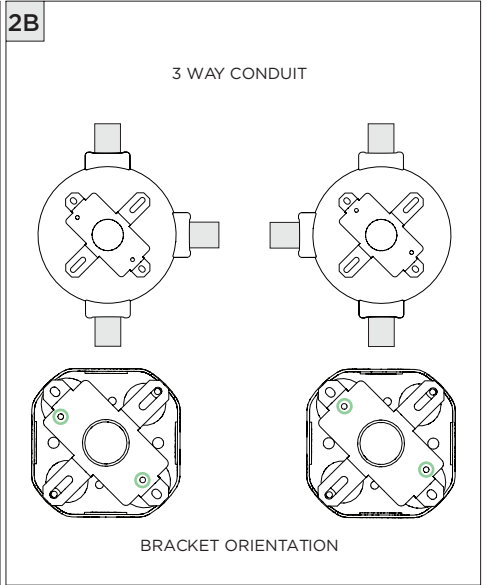
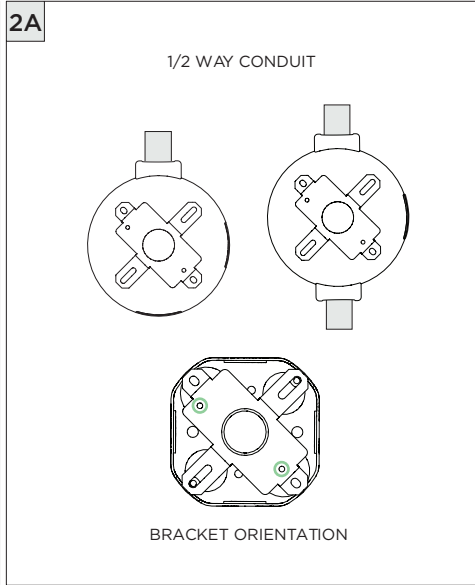
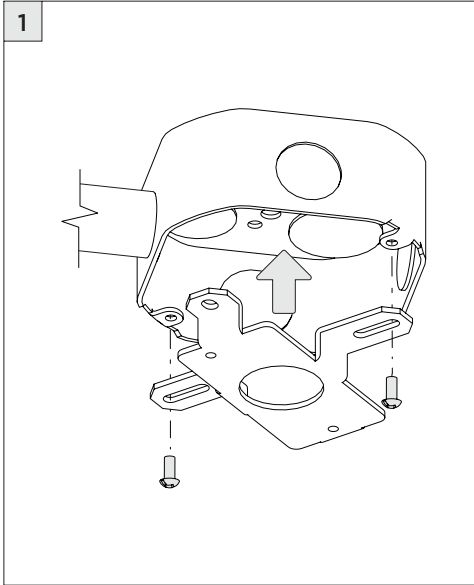




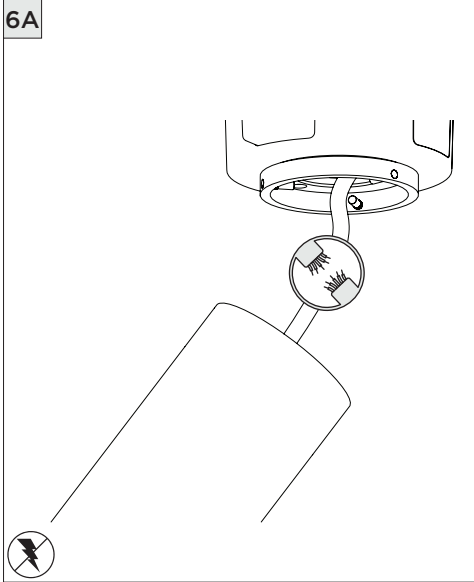
6



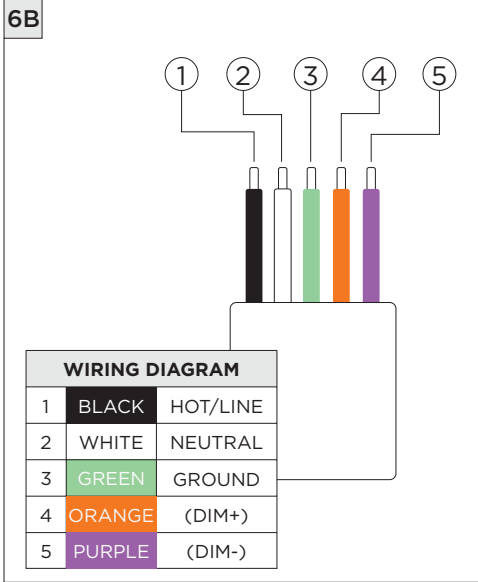
CANOPY IS SUITABLE FOR
MAXIMUM 3 CONDUIT FEEDS



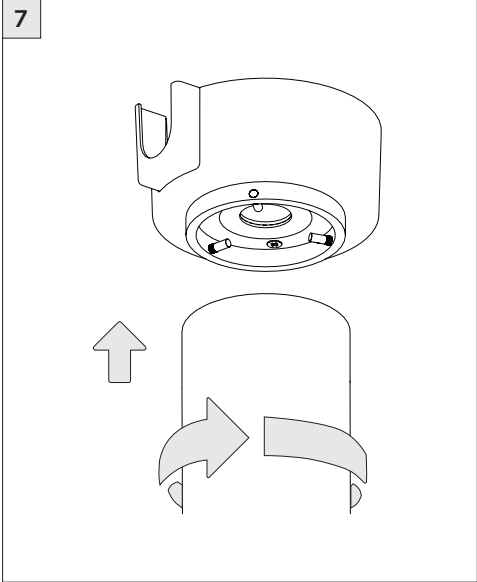
6A



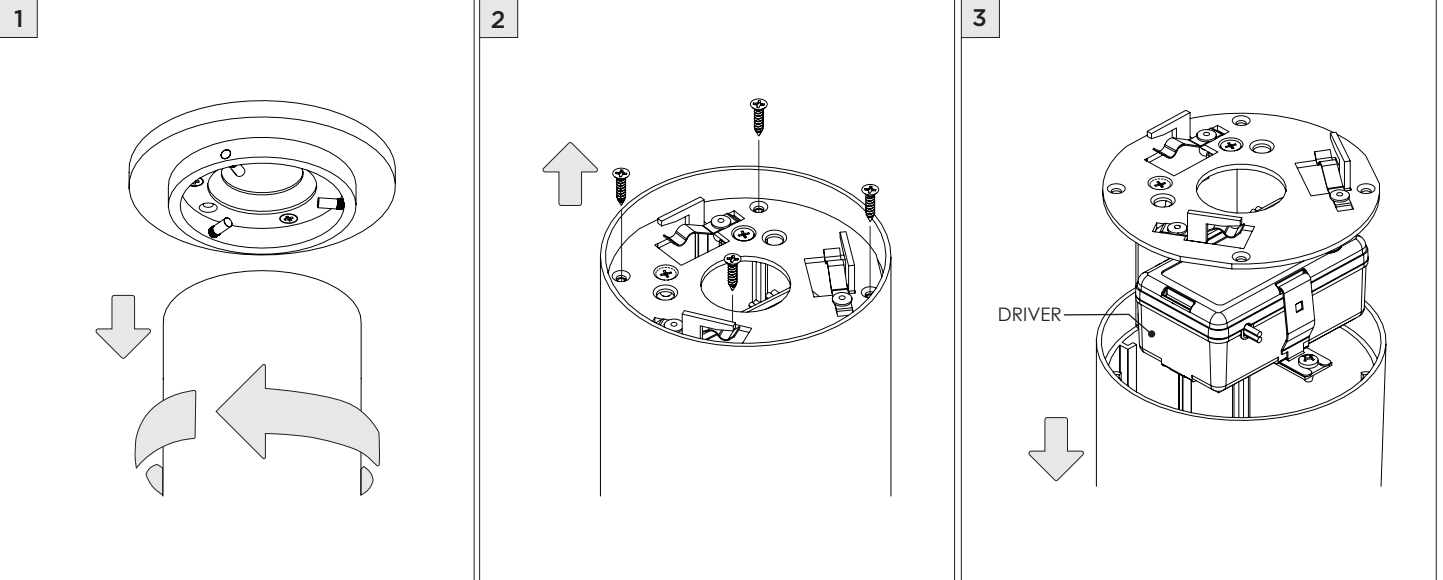
6B



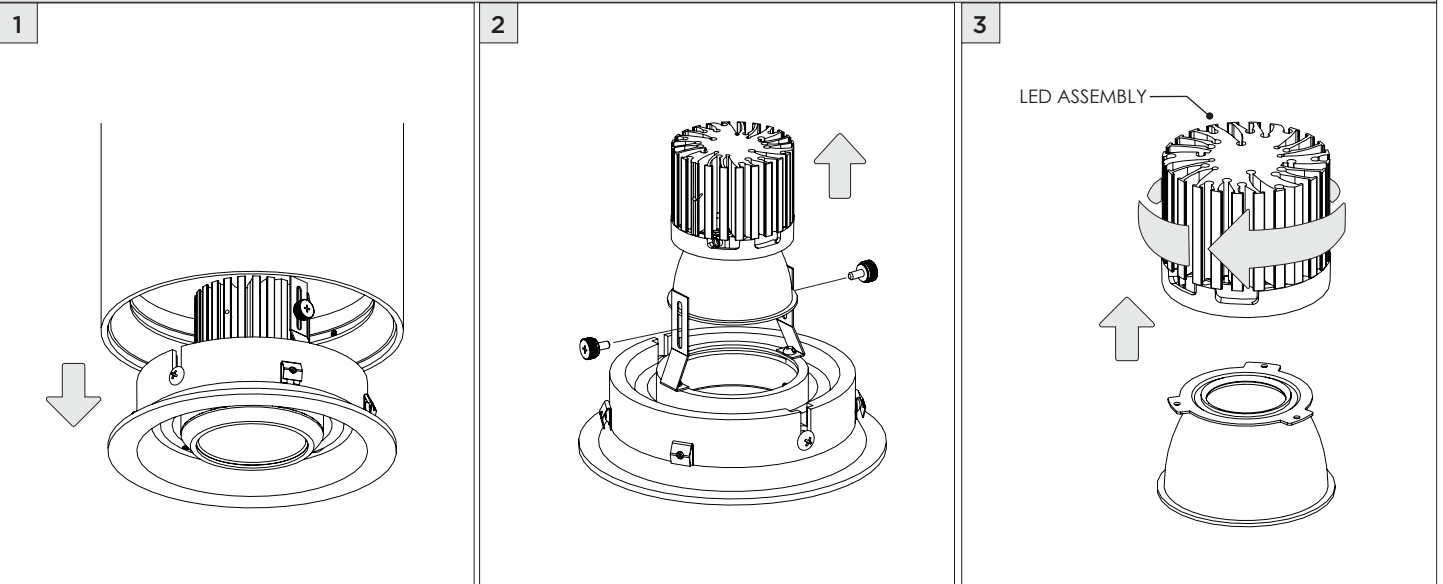
7



DRIVER SERVICING

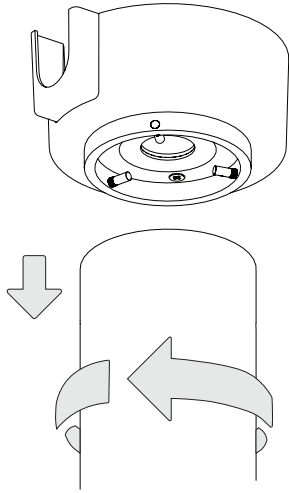


LED SERVICING

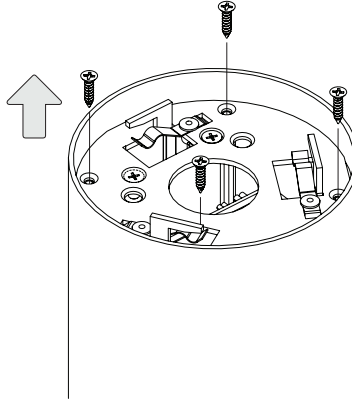


DRIVER SERVICING

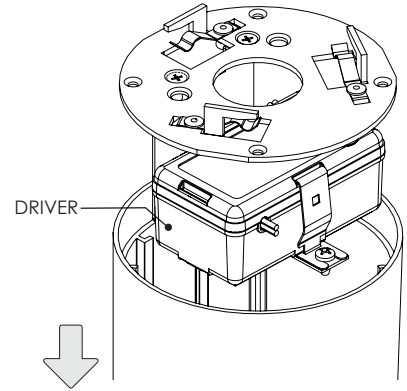
1



2

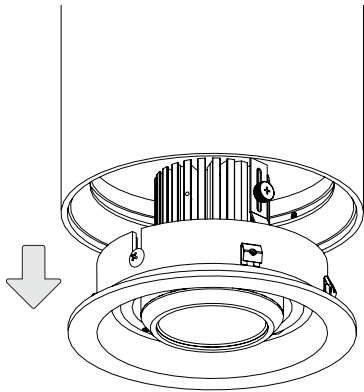


3

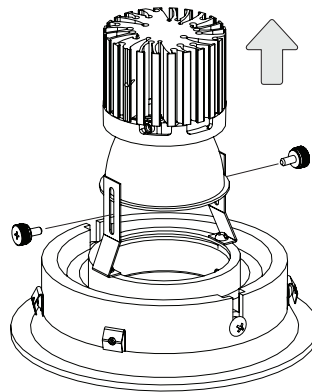


LED SERVICING

1



2



3

