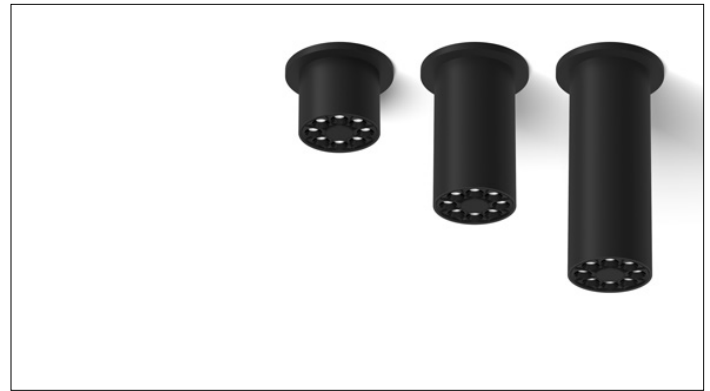


3G LIGHTING

3G-SDZ33R

3.3" ZOIE CYLINDER
3", 7" AND 11" HEIGHT



3.3" diameter Surface Mounted Zoie Cylinder
Companion to 3G-DZ33R Round Zoie Downlight
Regressed LED source provides maximum visual comfort, UGR <10
High gloss black or white louvers with proprietary optics and no glare
Extruded aluminum housing with powder coated finish
Lumen range from 700lm to 2000lm (80+ and 90+ CRI options)
100-1% dimming range standard with integral driver options

| | | | |
|------------------|--|--------------|-------------|
| PROJECT: | | TYPE: | |
| CATALOG#: | | DATE: | QTY: |

| CAT. NO | FIXTURE HEIGHT | LUMEN OUTPUT | CRI | COLOR TEMP |
|------------------|--|---|--|--|
| 3G-SDZ33R | 3H - 3" HEIGHT * 7H - 7" HEIGHT * 11H - 11" HEIGHT <small>*3H model (RDIM) remote driver *3H & 7H up to 1500lm (80+CRI) *3H & 7H up to 1000lm (90+CRI) Both models (DIM driver only)</small> | 07 - 700 LUMENS 10 - 1000 LUMENS 15 - 1500 LUMENS 20 - 2000 LUMENS ¹ <small>Lumen outputs are delivered lumens based on 80+ CRI, 3000K source. See performance chart for all options</small> | S80 - 80+ CRI H90 - 90+ CRI | 27K - 2700K ² 30K - 3000K 35K - 3500K 40K - 4000K ² |

| BEAM ANGLE | VOLTAGE | DRIVER | HOUSING FINISH | LOUVER FINISH |
|--|---|---|---|--|
| 20D - 20° 40D - 40° 60D - 60° | UNV - 120/277V 347 - 347V ³ | DIM - 0-10V (100-1%) D01 - 0-10V (100-0.1%) DALI - DALI (100-1%) ⁴ DHL2 - LUTRON HI-LUME (1% ECOSYSTEM) DMX - DMX (100-0%) RDIM - REMOTE 0-10V (100-1%) | BK - BLACK TRIM WH - WHITE TRIM SV - SILVER TRIM | BLV - BLACK WLV - WHITE |

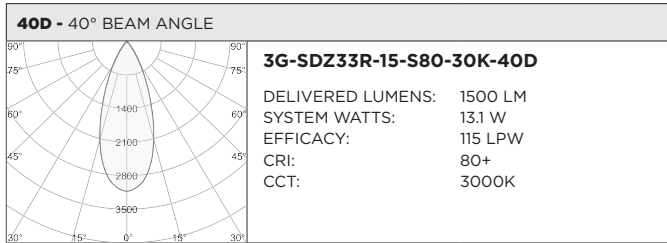
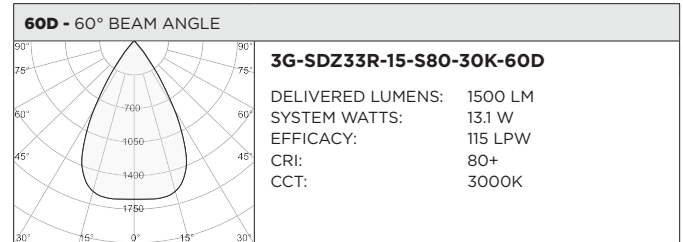
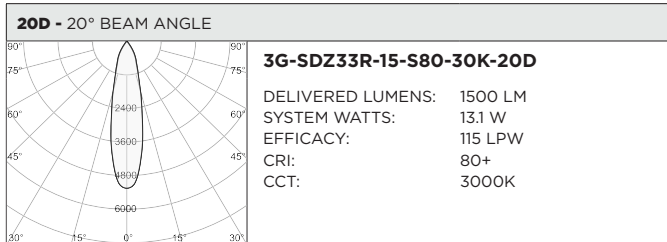
| OPTIONS |
|--|
| CFB - BLACK CONDUIT FEED CANOPY CFW - WHITE CONDUIT FEED CANOPY CFS - SILVER CONDUIT FEED CANOPY FXC - SEAMLESS CANOPY OPTION * EMR - EMERGENCY BATTERY (REMOTE) ⁵ <small>*Seamless canopy mount (FXC) must be installed prior to ceiling installation.</small> |

¹ 2000lm not available with 90CRI
² 2700K only available in 90CRI and 4000K only available in 80CRI
³ 347 available in "DIM" 0-10V only (100-1%). Not available with 3" height and 7" height
⁴ DALI-2 (Type 6) provided as standard. Consult factory for DALI Type 8 option
⁵ Emergency battery installed remotely by others. Not accessible through the inside of the fixture

BASED ON 40° BEAM ANGLE, 80CRI AND 3000K SOURCE

| 80+ CRI | | | 90+ CRI | | |
|------------------|--------------|----------------|------------------|--------------|----------------|
| DELIVERED LUMENS | SYSTEM WATTS | EFFICACY (LPW) | DELIVERED LUMENS | SYSTEM WATTS | EFFICACY (LPW) |
| 700 | 5.7 | 123 | 700 | 7.1 | 99 |
| 1000 | 8.5 | 117 | 1000 | 10.1 | 99 |
| 1500 | 13.1 | 115 | 1500 | 15.7 | 96 |
| 2000 | 18.2 | 110 | 2000 | 21.9 | 91 |

LUMEN OUTPUT MULTIPLIER FOR 80CRI: 27K=N/A, 30K=1.00, 35K=0.98, 40K=1.06
LUMEN OUTPUT MULTIPLIER FOR 90CRI: 27K=0.80, 30K=0.85, 35K=0.86, 40K=N/A



HOUSING

Extruded aluminum housing with powder coated finish
Twist and lock construction with no visible hardware

OPTICS

3.3" aperture with regressed LED source for maximum visual comfort
High gloss black or white louvers with proprietary optics and no glare
Polycarbonate multi-faceted reflectors
Available in 20°, 40° and 60°
UGR <10

LISTING

ETL listed and conforms to UL1598 standard. Certified to CSA22.2 No.250.0. Rated for indoor locations

WARRANTY

5 Year Warranty on LED and drivers
Manufacturer 1 Year Warranty for defects in material and workmanship under normal use
Ambient temperature at fixture should not exceed 25°C

ELECTRICAL

Standard 0-10V, constant current drivers with 100-1% dimming range and >0.9 power factor

Standard 120/277V universal voltage with several driver options
All drivers are integral and easily accessible through luminaire aperture
3" model supplied with remote enclosure c/w 120/277V, 0-10V driver
7" models include 0-10V drivers that operate only with dimmers that sink current (not designed for source current)

Compatible 0-10V dimmers for all 3" and 7" height models listed below:

Lutron NFTV, **Lutron** DDTV , **Lutron** DVSTV, **Lutron** VIVE RMJS-8TN, **Leviton** IP710-DLZ, **Philips** SR1200ZTUNV, **Cooper** SF10P

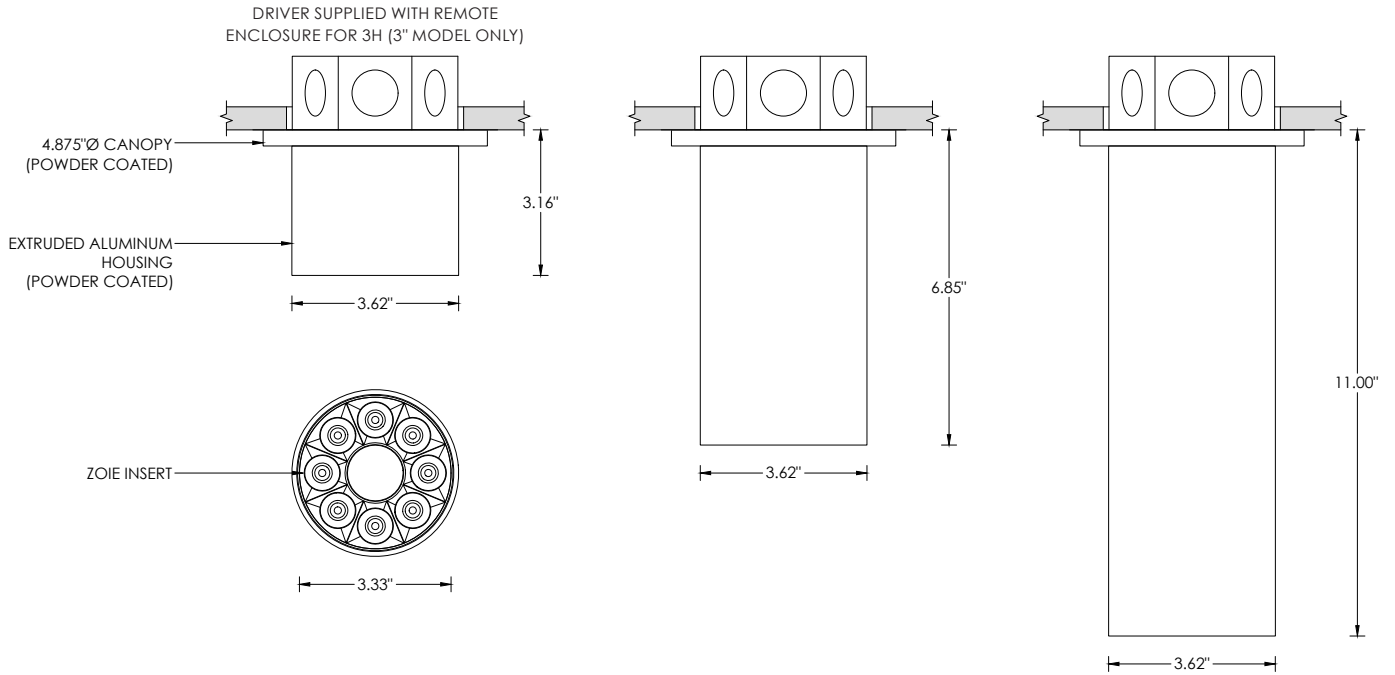
LED SYSTEM

Osram LED source
Color consistency <2 SDCM
80+ and 90+ CRI
Available in 27K, 30K, 35K, and 40K
L90 >60,000 hours
5 year warranty

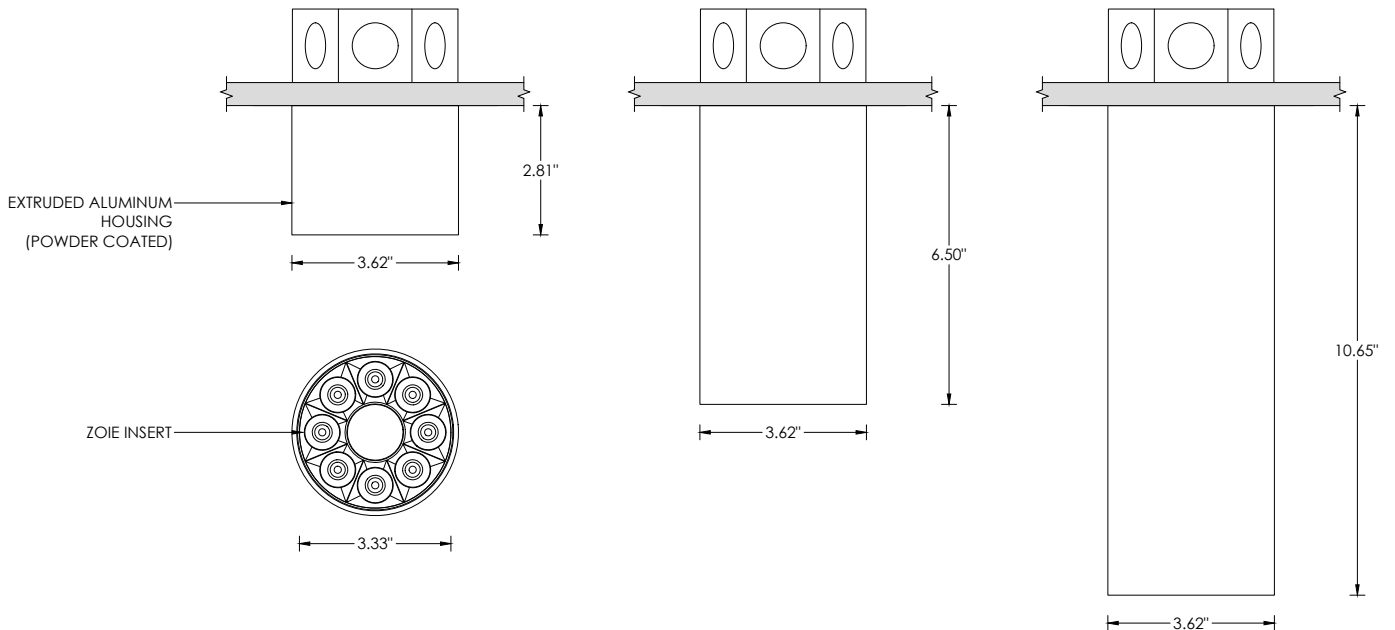
MOUNTING

All hardware included for mounting to 4" octagonal junction box
Twist and lock mechanism
Seamless canopy option designed to mount to 4" octagonal junction box for new construction only
Conduit feed cut-out canopy option designed to mount to 4" octagonal junction box

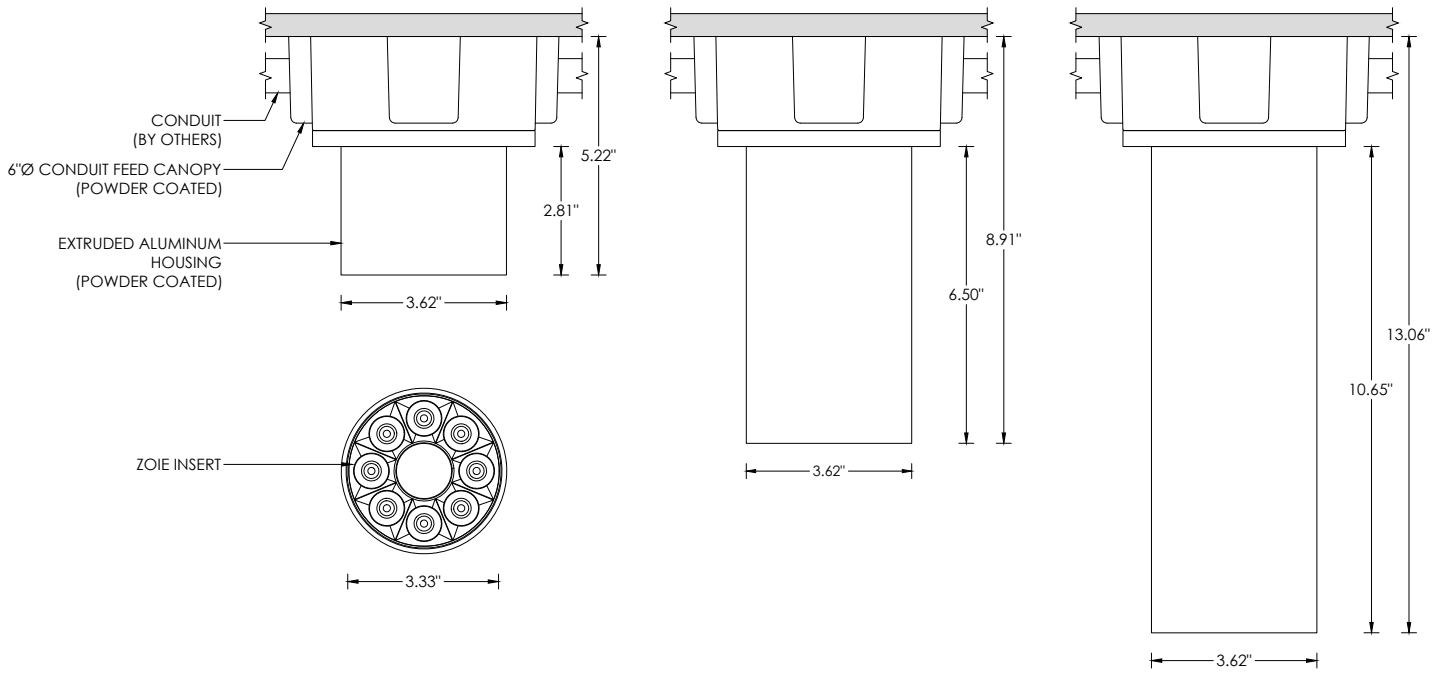
RECESSED 4" OCTAGONAL JUNCTION BOX BY OTHERS
STANDARD CANOPY MOUNT



RECESSED 4" OCTAGONAL JUNCTION BOX BY OTHERS
SEAMLESS CANOPY MOUNT (FXC OPTION) FOR NEW CONSTRUCTION ONLY



SURFACE 4" OCTAGONAL X 1.5" DEEP JUNCTION BOX BY OTHERS
CONDUIT FEED CANOPY MOUNT (CFX OPTION)



CONDUIT FEED CANOPY MOUNTING OPTIONS

