



3G-PHA-D45

HEXAGON ACOUSTIC PENDANT
DL45 DOWNLIGHT



Acoustic body fabricated in 1/2" thick acoustic felt
Available in 24" and 36" with 20 color options
4.5" diameter trimless downlight integration
Lumen range up to 3000lm (80+ and 90+ CRI options)
Companion to 3G-DL45 cylinder and downlight family
Optional felt dust cover provides added acoustic value

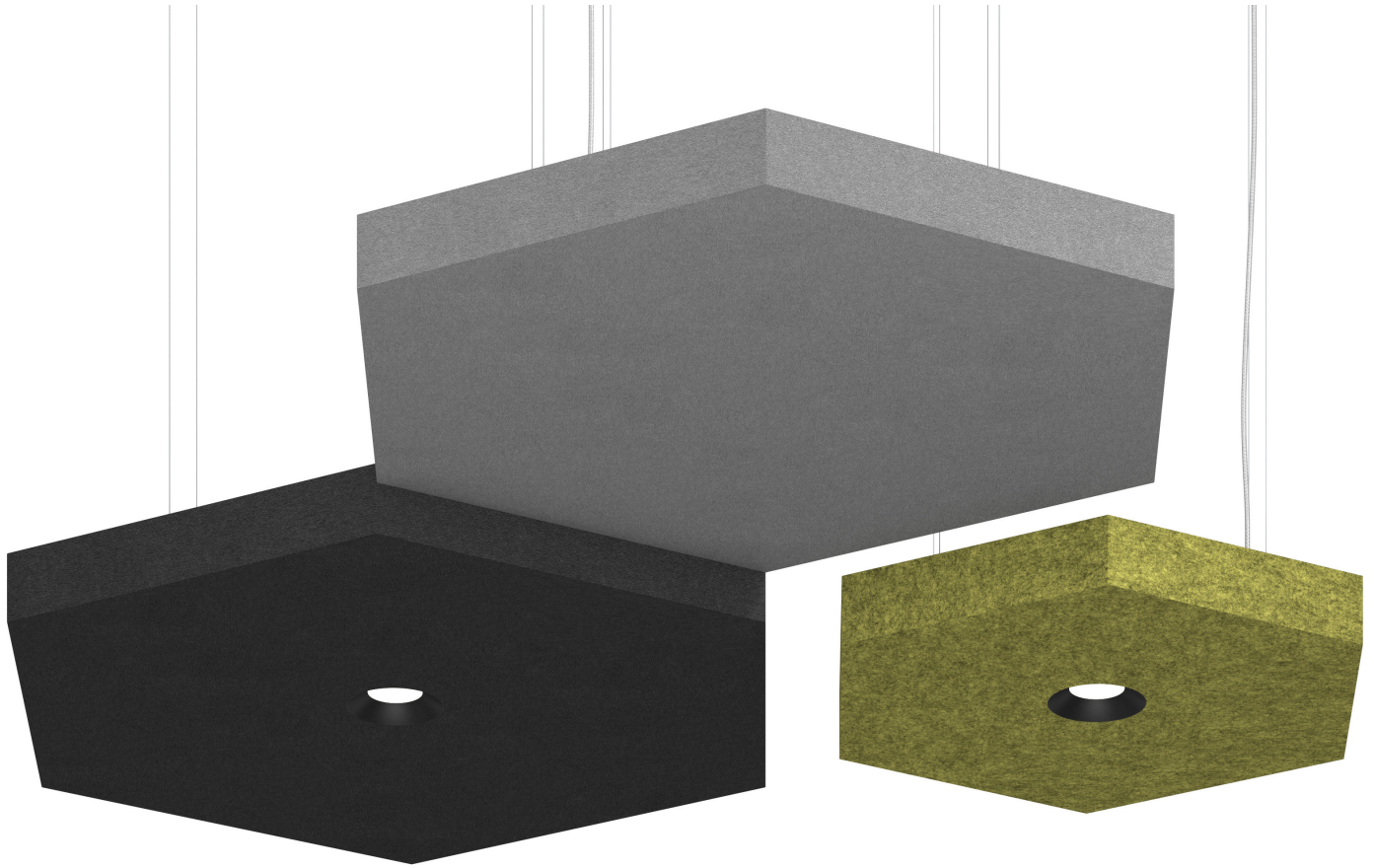
PROJECT:		TYPE:	
CATALOG#:		DATE:	QTY:

CAT. NO	FIXTURE SIZE	ACOUSTIC BODY	DOWNLIGHT INSERT	LUMEN OUTPUT	CRI
3G-PHA-D45	24 - 24" 36 - 36"	BXX - (SEE PAGE 2 FOR ALL COLORS)	WI - WHITE BI - BLACK SI - SILVER	10 - 1000 LUMENS 15 - 1500 LUMENS 22 - 2200 LUMENS 30 - 3000 LUMENS	S80 - 80+ CRI ¹ H90 - 90+ CRI

COLOR TEMP	BEAM ANGLE	VOLTAGE	DRIVER	CABLE LENGTH
27K - 2700K 30K - 3000K 35K - 3500K 40K - 4000K	10D - 10° ² 20D - 20° 40D - 40° 60D - 60° 90D - 90° * *90D reflector supplied standard with lens	UNV - 120/277V 120 - 120V 347 - 347V ³	DIM - 0-10V (100-1%) LE - PHASE DIM (TRIAC/ELV, 100-1%) ⁴ D01 - 0-10V (100-0.1%) DALI - DALI (100-1%) ⁵ DHL2 - LUTRON HI-LUME (1% ECOSYSTEM) DMX - DMX (100-0%)	60" - 60" 120" - 120"

OPTIONS
SF - SOFTENING LENS (SUPPLIED STANDARD)
SB - SANDBLASTED LENS
JNR - JOINER KIT
ADC - ACOUSTIC DUST COVER

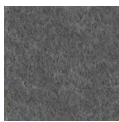
¹ S80 not available in 27K
² 10D reflector available up to 2200lm
³ 347 available in "DIM" 0-10V only (100-1%)
⁴ Phase dimming options available in 120V only
⁵ DALI-2 (Type 6) provided as standard. Please consult factory for DALI (Type 8) options



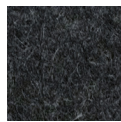
ACOUSTIC BODY COLORS



BSG
Steel gray



BRG
Rhino gray



BCH
Charcoal



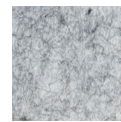
BBK
Black



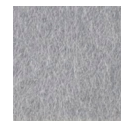
BSW
Snow white



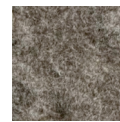
BBE
Beige



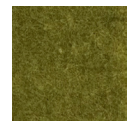
BLM
Light marble



BAG
Ash gray



BDM
Dark marble



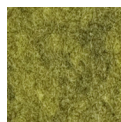
BFG
Forest green



BAP
Apple green



BNG
Neon green



BEG
Emerald green



BYE
Yellow



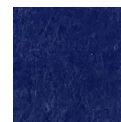
BOR
Orange



BRE
Red



BGP
Grape prune



BAB
Admiral blue



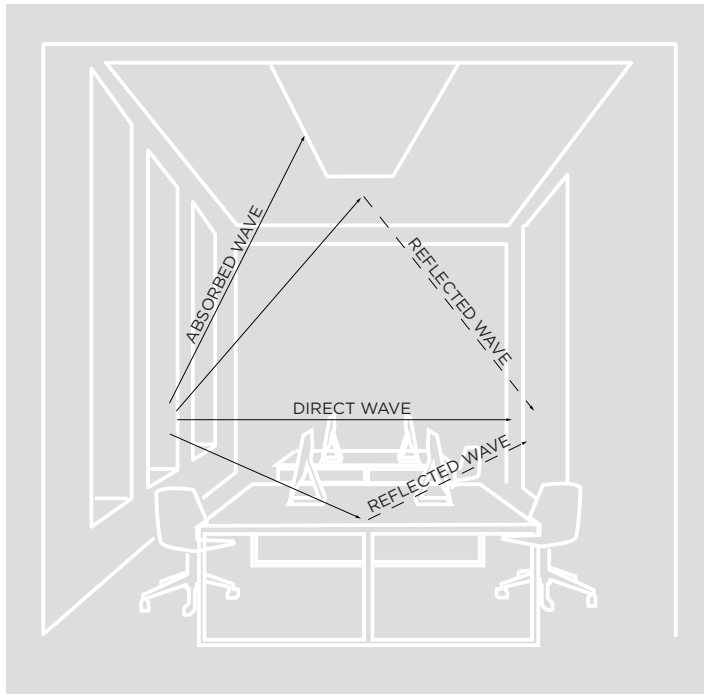
BSB
Sky blue



BTU
Turquoise

SOUND WAVE IN A GIVEN SPACE

When a sound wave is emitted from its source, it propels in all directions. The sound carries in a space unless it comes across an obstruction or an absorbing element such as carpeting, or upholstery. Harder materials will enable sound waves to reverberate in the space for a longer period of time. A sound can be direct like a face to face conversation and it can be reflected back from a hard surface.



REVERBERATION

The persistence of sound after it has been stopped due to multiple reflections from surfaces within a closed space



T60 : REVERBERATION TIME

The time it takes for a sound to decay by 60 dB once the source of sound has stopped. Reverberation time is the basic acoustical property of a room which depends only on its dimensions and the absorptive properties of its surfaces and contents. An acceptable value for class rooms and libraries ranges between 0.5-0.9 seconds. A suitable value for open offices and conference rooms ranges between 0.7 and 1.25 seconds



NRC - NOISE ABSORPTION COEFFICIENT

The Noise Reduction Coefficient is a scalar representation of the amount of sound energy absorbed upon striking a particular surface. an NRC of 0 indicates perfect reflection. an NRC of 1 indicates perfect absorption. Higher number equals better performance.



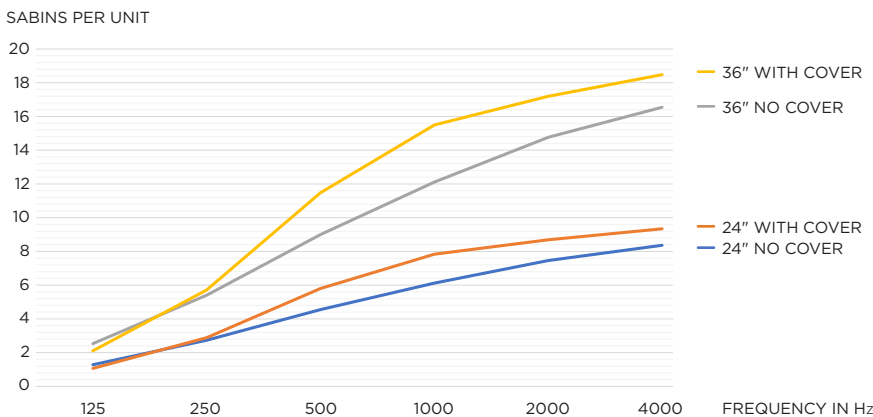
SABIN

A unit of sound absorption based on one square foot of material. Products with higher Sabin values provide more sound absorption.

SABIN COUNT

The sum total of the absorption coefficients in a room. Stronger NRC values will deliver higher Sabin counts.

ACOUSTIC PERFORMANCE



OPTICS

4.5" aperture with regressed LED source for maximum visual comfort
 Proprietary anodized, aluminum reflectors are field replaceable
 Downlight provided standard with softening lens

ACOUSTIC HOUSING

Acoustic housing fabricated in 1/2" thick acoustic felt
 Optional felt dust cover provides added acoustic value
 Acoustic NRC value up to 0.9
 Produced with recycled polyester fiber and +/- 60% from recycled water bottles
 Material is 100% recyclable
 0% VOC's
 Fire rating ASTM E-84 Class A / CAN ULC S102

MOUNTING

Adjustable aircraft cable suspension with locking fasteners
 Standard, 18-gauge, 5 conductor single circuit power feed (clear braided finish)
 All mounting canopies provided in white finish as standard
 Suitable for various architectural ceilings (see mounting details)
 Fixture weight: including cover: +/- 8.5 lbs (24"), +/- 12.5 lbs (36")

LED SYSTEM

Available in 27K, 30K, 35K, and 40K
 Standard 80+, optional 90+ CRI
 Color consistency <2 SDCM
 L90 >60,000 hours

ELECTRICAL

Standard 0-10V, constant current drivers with 100-1% dimming range and >0.9 power factor
 Standard 120/277V universal voltage with several driver options
 Integral drivers are easily accessible above or through luminaire aperture

LISTING

ETL listed and conforms to UL1598 standard. Certified to CSA22.2 NO.250.0. Suitable for dry locations

WARRANTY

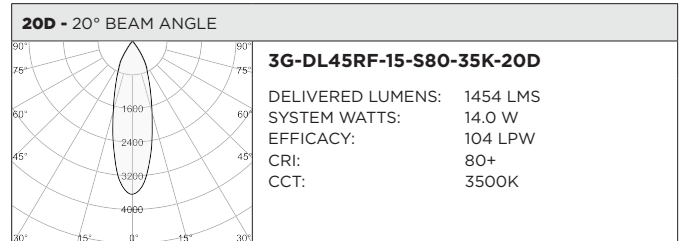
5 Year Warranty on LED and drivers Manufacturer
 1 Year Warranty for defects in material and workmanship under normal use
 Ambient temperature at fixture should not exceed 25°C

DOWNLIGHT PERFORMANCE

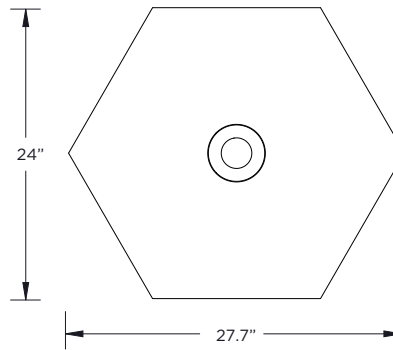
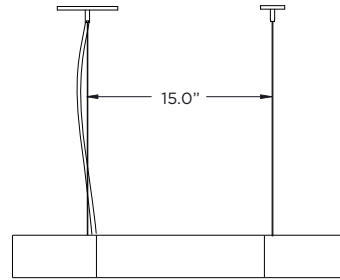
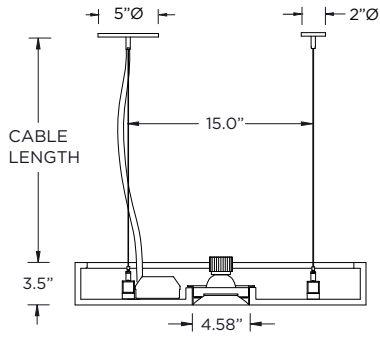
DL45RF - BASED ON 20°, 80+ CRI AND 3500K SOURCE

LUMEN OUTPUT	DELIVERED LUMENS	SYSTEM WATTS	EFFICACY (LPW)
1000 LMs	1080	10.3	105
1500 LMs	1454	14.0	104
2200 LMs	2156	22	98
3000 LMs	2634	31	85

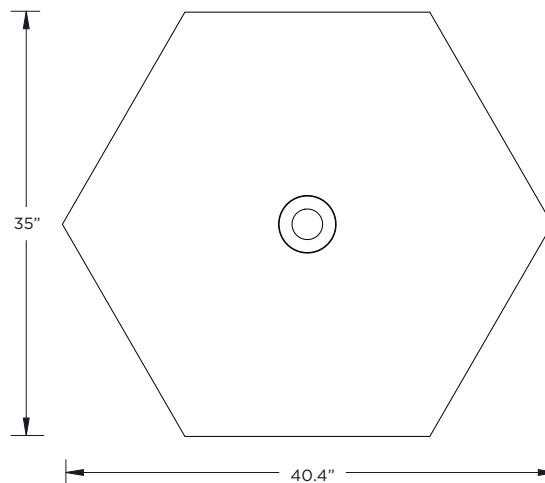
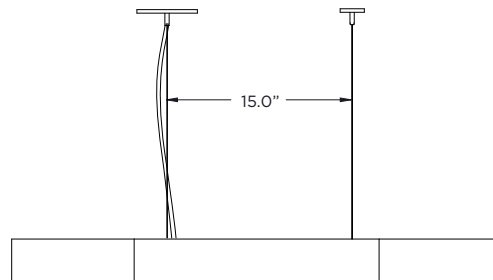
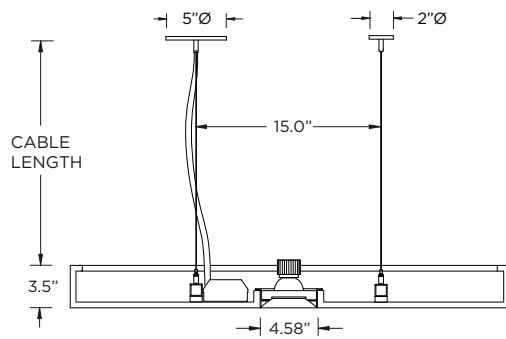
LUMEN OUTPUT MULTIPLIER: 27K=0.94, 30K=0.97, 35K=1.00, 40K=1.01, 90CRI=0.88

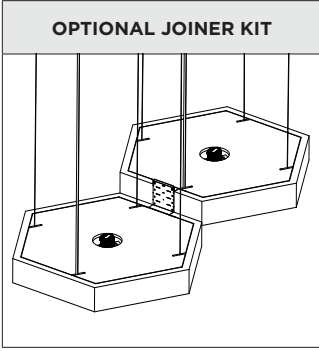


24" PENDANT

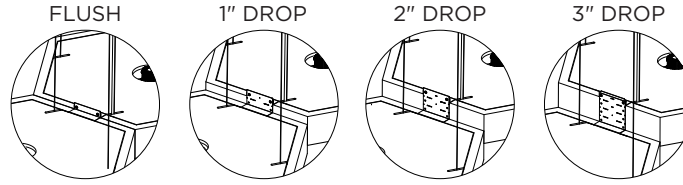


36" PENDANT

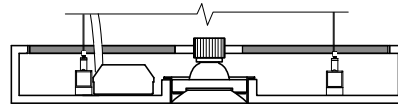
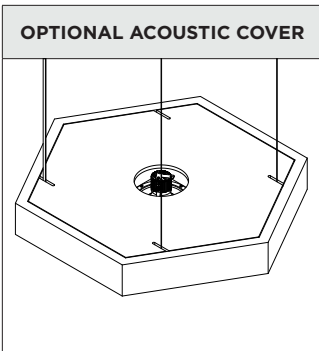




ADJUSTABLE TO 4 HEIGHT OPTIONS



Optional Joiner kit can be installed to align multiple pendants
 Brackets attach to the top of each fixture with 4 different mounting positions
 Kits ordered separately and installed by others



Optional acoustic dust cover
 Made from 1/2" thick acoustic felt
 Provides enhanced acoustic value

MOUNTING DETAILS

