



3G-PSA-AC

SQUARE ACOUSTIC PENDANT



Acoustic body fabricated in 1/2" thick acoustic felt
 Available in 24" and 36" with 20 color options
 Optional felt dust cover provides added acoustic value
 Adjustable aircraft cable suspension with locking fasteners
 Optional Joiner kit can be installed to align multiple pendants

PROJECT:		TYPE:	
CATALOG#:		DATE:	QTY:

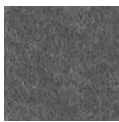
CAT. NO	FIXTURE SIZE	ACOUSTIC BODY	CABLE LENGTH	OPTIONS
3G-PSA-AC	24 - 24" 36 - 36"	BXX - (SEE PAGE 2 FOR ALL COLORS)	60" - 60" 120" - 120"	JNR - JOINER KIT ADC - ACOUSTIC DUST COVER



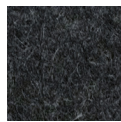
ACOUSTIC BODY COLORS



BSG
Steel gray



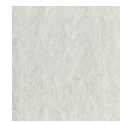
BRG
Rhino gray



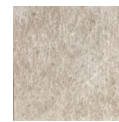
BCH
Charcoal



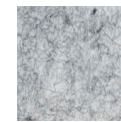
BBK
Black



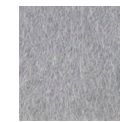
BSW
Snow white



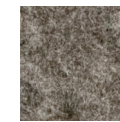
BBE
Beige



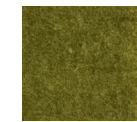
BLM
Light marble



BAG
Ash gray



BDM
Dark marble



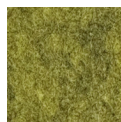
BFG
Forest green



BAP
Apple green



BNG
Neon green



BEG
Emerald green



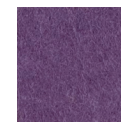
BYE
Yellow



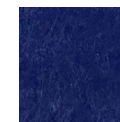
BOR
Orange



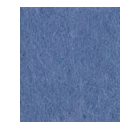
BRE
Red



BGP
Grape prune



BAB
Admiral blue



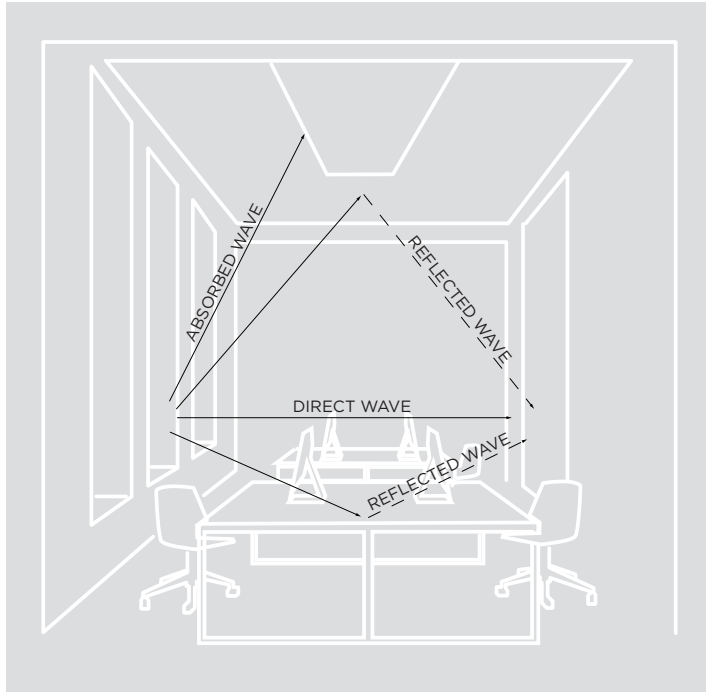
BSB
Sky blue



BTU
Turquoise

SOUND WAVE IN A GIVEN SPACE

When a sound wave is emitted from its source, it propels in all directions. The sound carries in a space unless it comes across an obstruction or an absorbing element such as carpeting, or upholstery. Harder materials will enable sound waves to reverberate in the space for a longer period of time. A sound can be direct like a face to face conversation and it can be reflected back from a hard surface.



REVERBERATION

The persistence of sound after it has been stopped due to multiple reflections from surfaces within a closed space



T60 : REVERBERATION TIME

The time it takes for a sound to decay by 60 dB once the source of sound has stopped. Reverberation time is the basic acoustical property of a room which depends only on its dimensions and the absorptive properties of its surfaces and contents. An acceptable value for class rooms and libraries ranges between 0.5-0.9 seconds. A suitable value for open offices and conference rooms ranges between 0.7 and 1.25 seconds



NRC - NOISE ABSORPTION COEFFICIENT

The Noise Reduction Coefficient is a scalar representation of the amount of sound energy absorbed upon striking a particular surface. an NRC of 0 indicates perfect reflection. an NRC of 1 indicates perfect absorption. Higher number equals better performance.



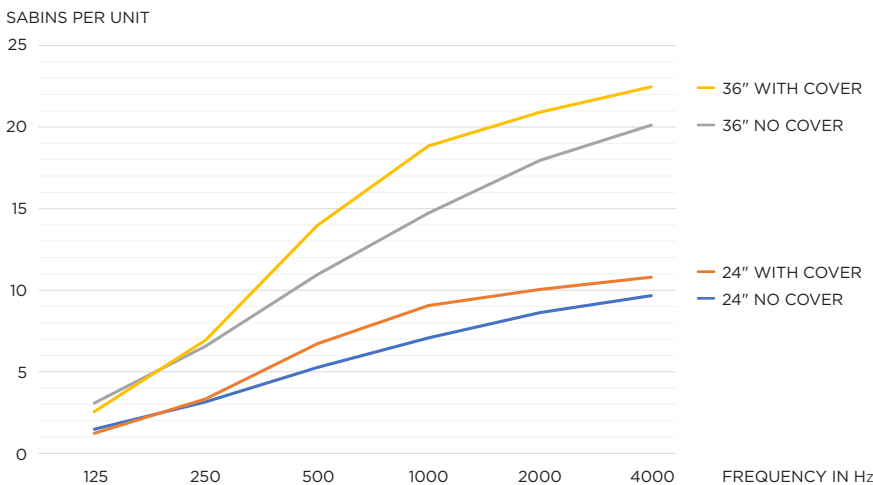
SABIN

A unit of sound absorption based on one square foot of material. Products with higher Sabin values provide more sound absorption.

SABIN COUNT

The sum total of the absorption coefficients in a room. Stronger NRC values will deliver higher Sabin counts.

ACOUSTIC PERFORMANCE



ACOUSTIC HOUSING

Acoustic housing fabricated in 1/2" thick acoustic felt
Optional felt dust cover provides added acoustic value
Acoustic NRC value up to 0.9
Produced with recycled polyester fiber and +/- 60% from recycled water bottles
Material is 100% recyclable
0% VOC's
Fire rating ASTM E-84 Class A / CAN ULC S102

MOUNTING

Adjustable aircraft cable suspension with locking fasteners
All mounting canopies provided in white finish as standard
Suitable for various architectural ceilings (see mounting details)
Fixture weight: including cover: +/- 5.5 lbs (24"), +/- 11 lbs (36")

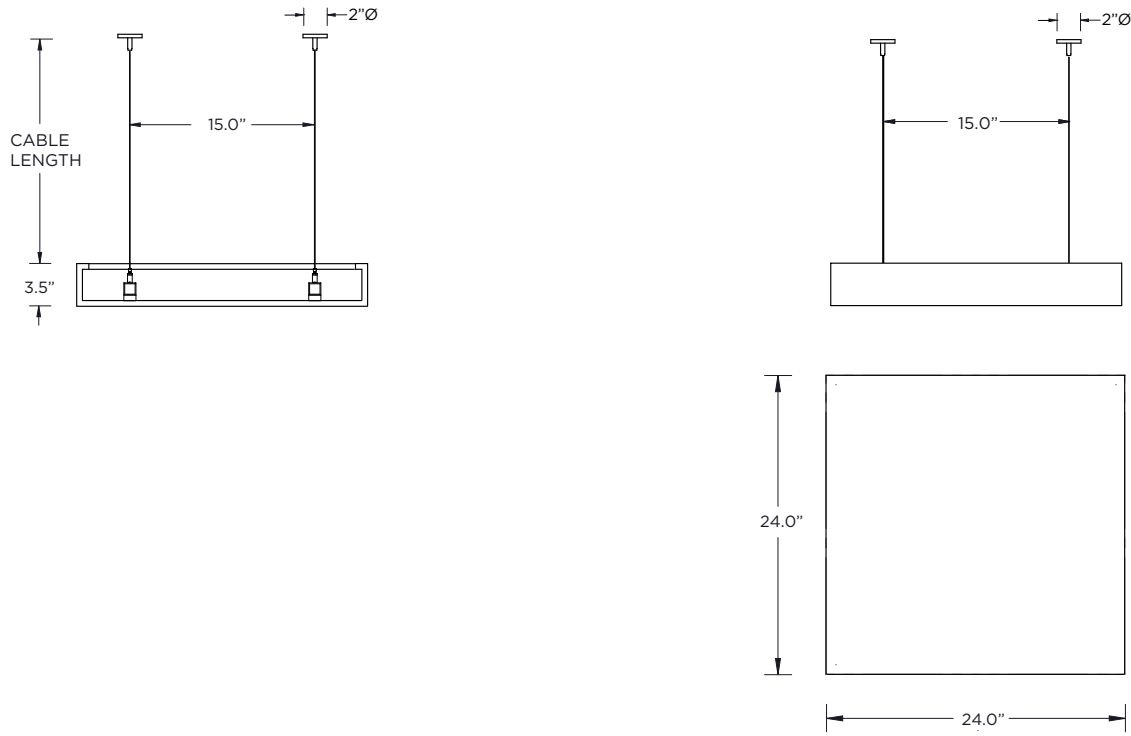
LISTING

ETL listed and conforms to UL1598 standard. Certified to CSA22.2 NO.250.0. Suitable for dry locations

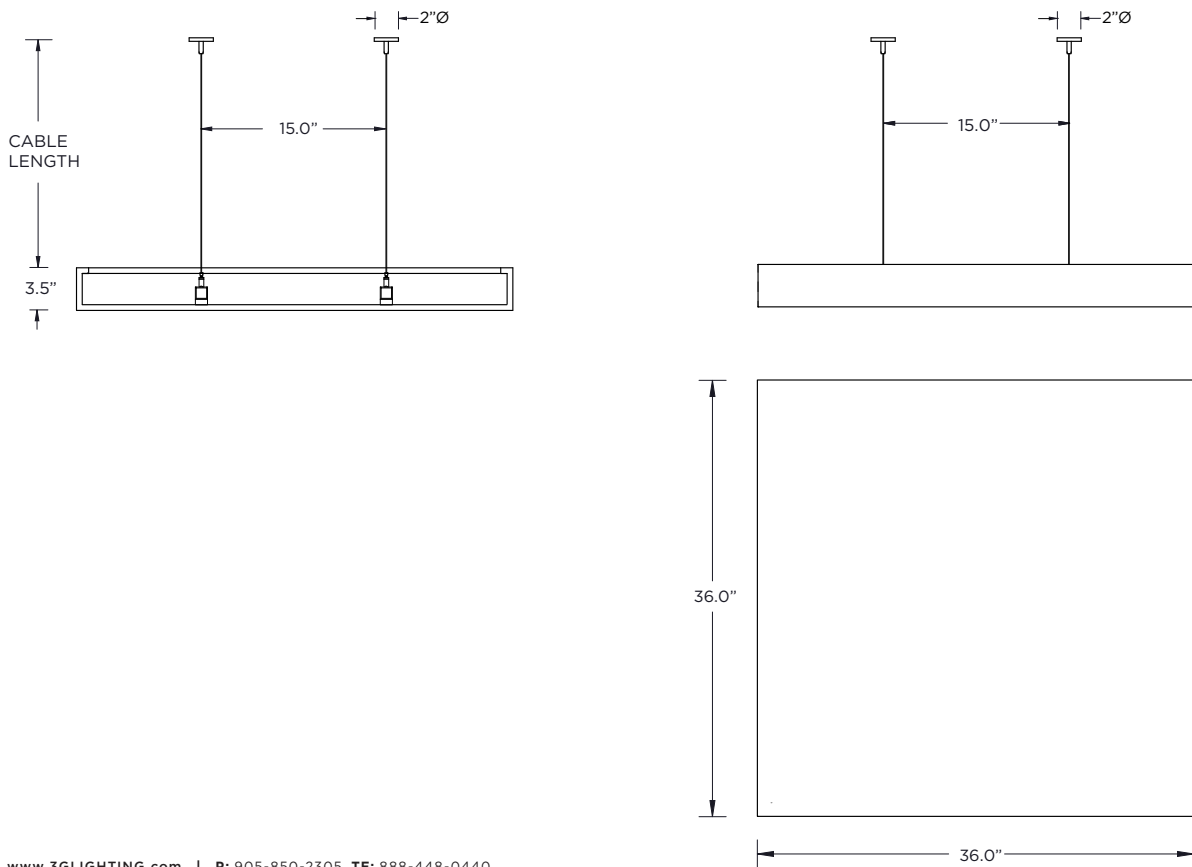
WARRANTY

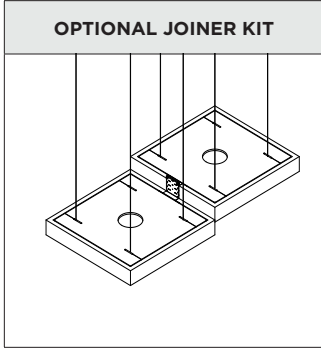
1 Year Warranty for defects in material and workmanship under normal use

24" PENDANT

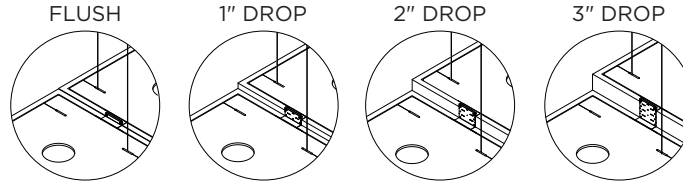


36" PENDANT

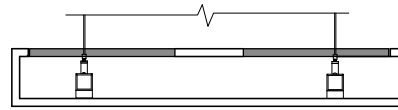
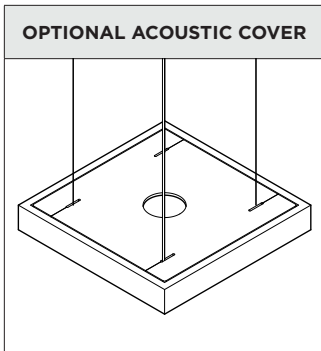




ADJUSTABLE TO 4 HEIGHT OPTIONS



Optional Joiner kit can be installed to align multiple pendants
 Brackets attach to the top of each fixture with 4 different mounting positions
 Kits ordered separately and installed by others



Optional acoustic dust cover
 Made from 1/2" thick acoustic felt
 Provides enhanced acoustic value

MOUNTING DETAILS

